



**FRÍANT**

Seating Collection Pricebook



# TABLE OF CONTENTS

---

## INTRODUCTION

Terms and Conditions	4
Warranties	6
Detailed Dimensions	7

## TASK

Vektor	10
Ignite	10
Amenity	11
Zone	11

## CONFERENCE/EXECUTIVE

Prov	12
Madison	12

## SIDE

Axiom	13
-------	----

## STACKING

Prep	14
------	----

## SOFT SEATING

### ANZA COLLECTION

Anza Chair	15
------------	----

### NIK COLLECTION

Nik Chair	15
Nik Ottoman	15

### HANNO COLLECTION

Hanno Sofa	16
Hanno Loveseat	16
Hanno Lounge Chair	16

### JOT COLLECTION

Jot Sectional Sofa	17
Jot Highback Double Sofa	17
Jot Low Back Lounge Chair	18

### JEST COLLECTION

Jest Lounge Chair	19
Jest Guest Chair	19
Jest Table Chair	19
Jest Y Base Chair	20
Jest Counter Chair	20

### POG COLLECTION

Pog	21
Pog II Small	21
Pog II Medium	21
Pog II Large	22

# Terms and Conditions

---

## PRICES

All Prices are F.O.B. point (Continental U.S.). We reserve the right to change prices without prior notice.

## ORDERING

Purchase Orders should be sent to Friant & Associates, LLC at [orders@friant.com](mailto:orders@friant.com), or faxed to (510) 535-6895. If your specifications were created with CAP, GIZA, or Project Matrix please send the worksheet (SP4 or SIF) with your Purchase Order.

## TERMS

Net 30 days from date of invoice. Invoices are delinquent if not paid 30 days from date of invoice. In the event timely payment is not made, interest will be charged at the rate of 1.5% per month on delinquent accounts. Buyers will also be liable for normal collection costs and attorney's fee. 50% deposit is required with every order, unless prior arrangements have been made.

## ORDERS

Orders are only accepted by issuance of our formal acknowledgment, and are subject to the terms set forth herein and on our order acknowledgment. It is the responsibility of the buyer to review our acknowledgment for accuracy.

## LEAD TIME

Lead times are subject to availability. For current standard lead times, please visit <https://www.friant.com/shipping-and-orders/>

## SHIPPING

Friant generally palletizes, boxes and/or shrink-wraps its products. If buyer requests additional packaging or special shipping, then it is responsible for any extra costs that result. Buyer obtains title to products and assumes the risk of loss for them upon shipment from Friant's plant.

## CLAIMS

We are not responsible for damage suffered in transit. Merchandise should be inspected for possible freight damage upon delivery. The consignee should file for damage or shortages with the carrier within 5 days of delivery. You are also protected for "concealed damage" if you file claim with the carrier within 5 days of delivery. Buyer must make all claims against Friant for defects, errors or shortages in writing within 10 days after delivery. Failure to make such a claim shall constitute full acceptance.

## RETURNS

No merchandise may be returned without our written consent and shipping instructions. Unauthorized returns will not be accepted and will be returned freight collect.

## PARTIAL SHIPMENTS

We will make every attempt to ship orders complete and on schedule. However, we reserve the right to make partial shipments, as merchandise is ready. Invoices covering these shipments are to be paid as they become due.

## ORDER CHANGE — CANCELLATIONS

Our order confirmation is final and binding. Any order change or cancellation is subject to our ability to conform. For the most up to date information, always review the order change/cancellation policy online. Allowable changes within the posted policy must be made in writing.

# Terms and Conditions continued

---

## **SHIPMENT AND PREPAID FREIGHT**

Unless otherwise instructed, we reserve the option to ship by what is, in our opinion, the best possible way. Upon request, we will prepay and add freight for accounts with established credit.

## **DELIVERY**

We are not liable for delay or failure of delivery due to strikes and/or differences with workmen, war, riot, fire, compliance with government regulations, acts of nature, failure or delays of sources of supply, or any other causes beyond our control.

## **STORAGE**

If buyer cannot accept delivery when merchandise is ready, we reserve the right to transfer goods to storage. Costs of transfer and storage will be charged to the buyer's account, and we will deem such transfer as constituting shipment for all purposes, including invoicing, as of the date the transfer is made.

## **CONSTRUCTION — SPECIFICATIONS**

All items are produced to price list specifications unless otherwise advised. All dimensions shown are approximate. Manufacturer reserves the right to make modifications and/or improvements without prior notice.

## **CALIFORNIA PROP 65 WARNING**

Products in this catalog can expose you to chemicals including wood dust, which is known to the State of California to cause cancer or birth defects or other reproductive harm. For more information go to <https://www.p65warnings.ca.gov/products/furniture-products>.”

## **TSCA TITLE VI**

Friant products are TSCA Title VI Compliant

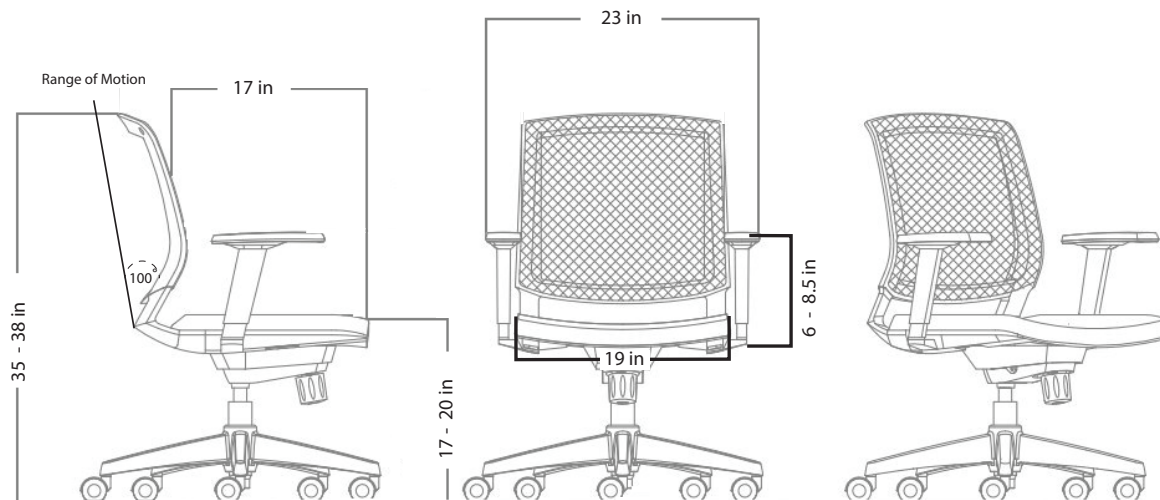
# Warranties

---

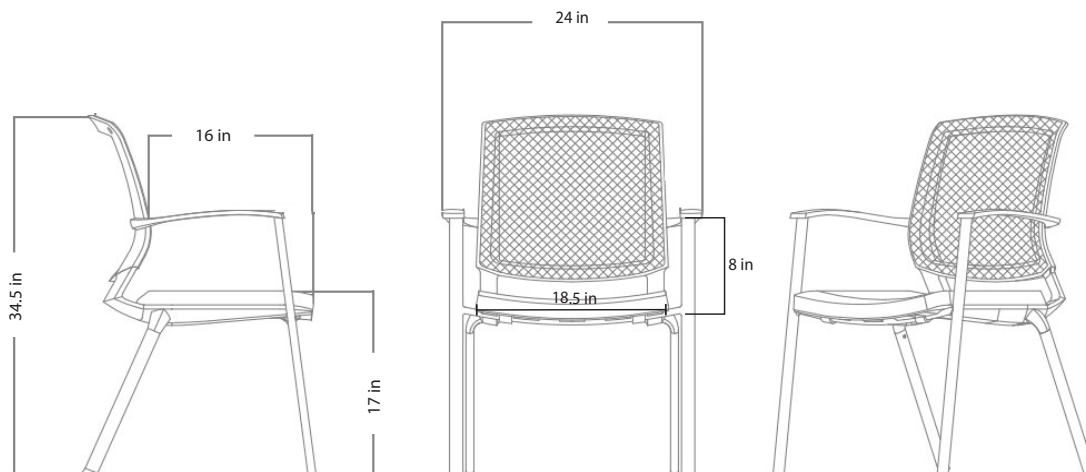
- This warranty is given to the initial purchaser and is valid from the date of purchase, for as long as the initial purchaser owns the product. This warranty covers defects in material and craftsmanship found during normal usage of the product during the warranty period. Normal usage is defined by 8 hour shifts in the product's intended application and in an indoor environment that conforms to the ANSI/ASHRAE Standard 55: Thermal Environmental Conditions for Human Occupancy (relating to air temperature, mean radiant temperature, air velocity, clothing insulation, metabolic rate, and humidity). Friant's warranty does not cover usage other than normal usage as defined in the previous sentence.
- All chair frames, including metal, wood and plastic parts, and control mechanisms are guaranteed against structural failure for ten years, under normal commercial use and to the original purchaser with the exception of our Axiom chair which is offered under the same guarantee for five years.
- Casters and upholstery (fabric and mesh) have a five year commercial use warranty. Gas cylinders have a two year commercial use warranty. Standard commercial use is defined as the proper usage for one single shift, a total of 40 hours or less per week and by individuals weighing 250 lbs or less.
- Should any item require repair, please return product to the Dealer from whom it was purchased. The Dealer will send the defective part to Friant, freight prepaid. Friant will repair or replace the defective part and return it to the dealer, freight prepaid
- A product will not be considered defective, and Friant & Associates will not be obligated to replace it, if it is not installed in a proper manner (i.e. product not leveled, not secured properly, etc.) or if it is not used in a manner and/or in an environment that constitutes normal usage, as defined above.
- Please request written authorization before returning defective parts to Friant, returned defective parts will not be accepted without prior written authorization. Labor and service are not covered under this warranty.
- This warranty does not apply to items subjected to abuse, misuse, neglect, alteration, or damage caused by shipment, storage, accident, fire, food or an act of nature.

# Detailed Dimensions

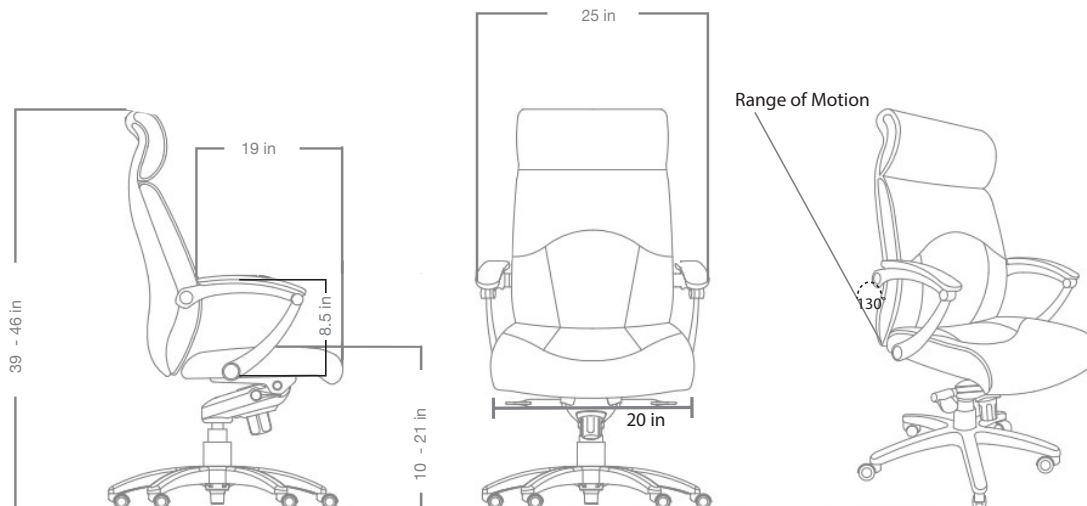
## Amenity



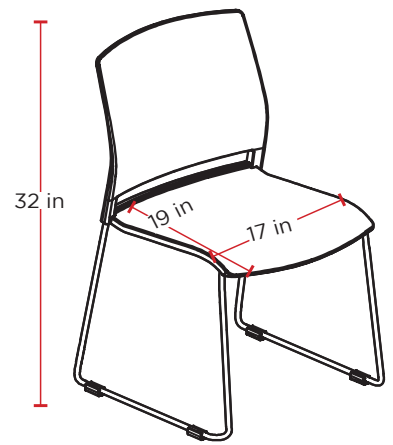
## Axiom



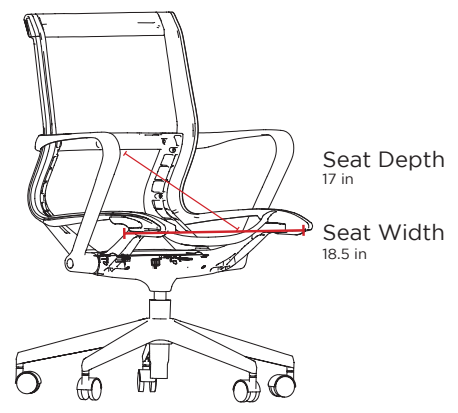
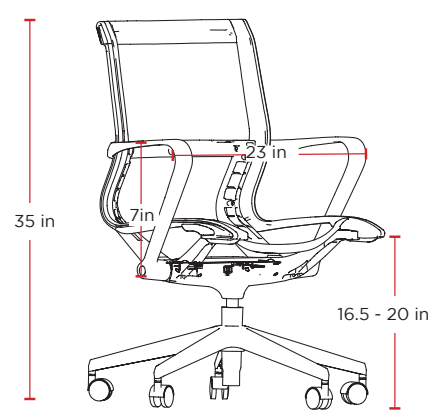
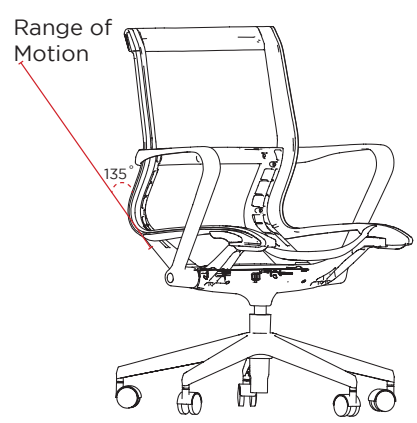
## Madison



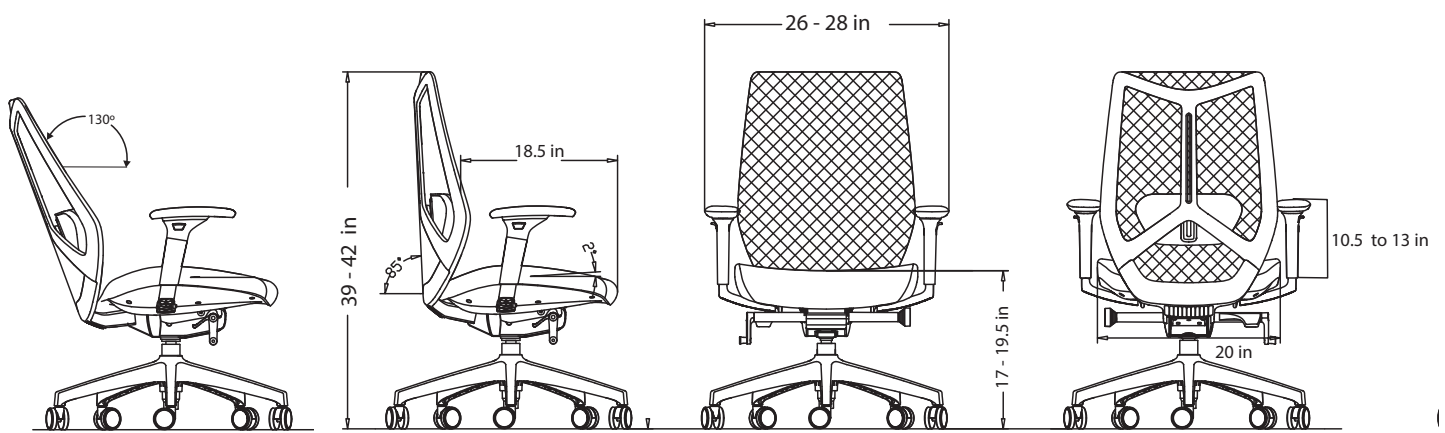
### Prep



### Prov

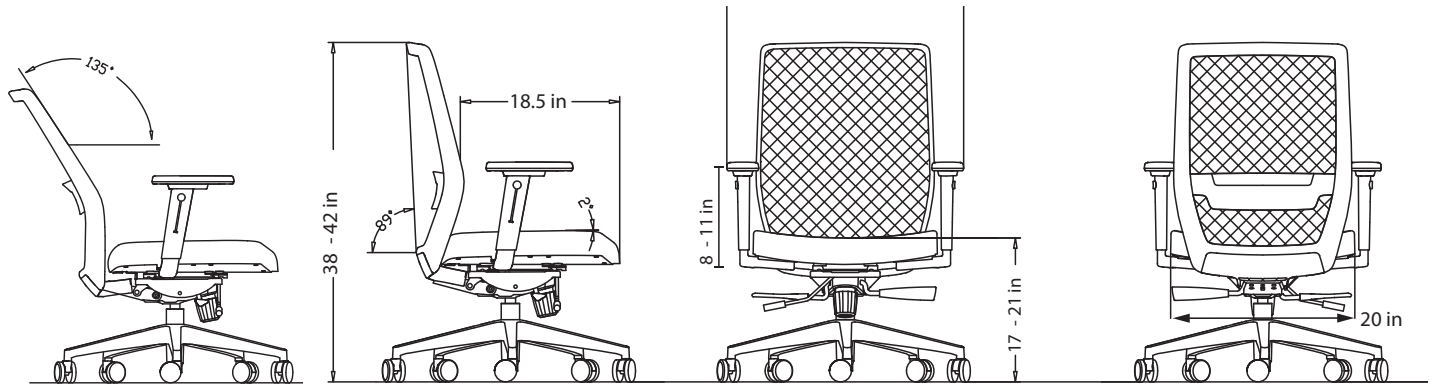


### Ignite

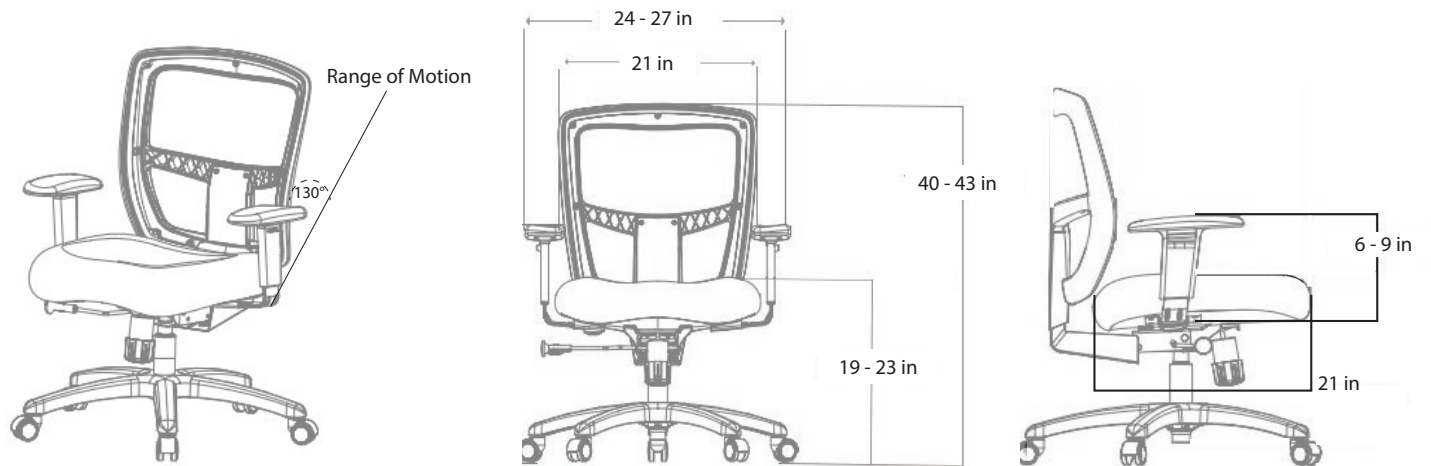




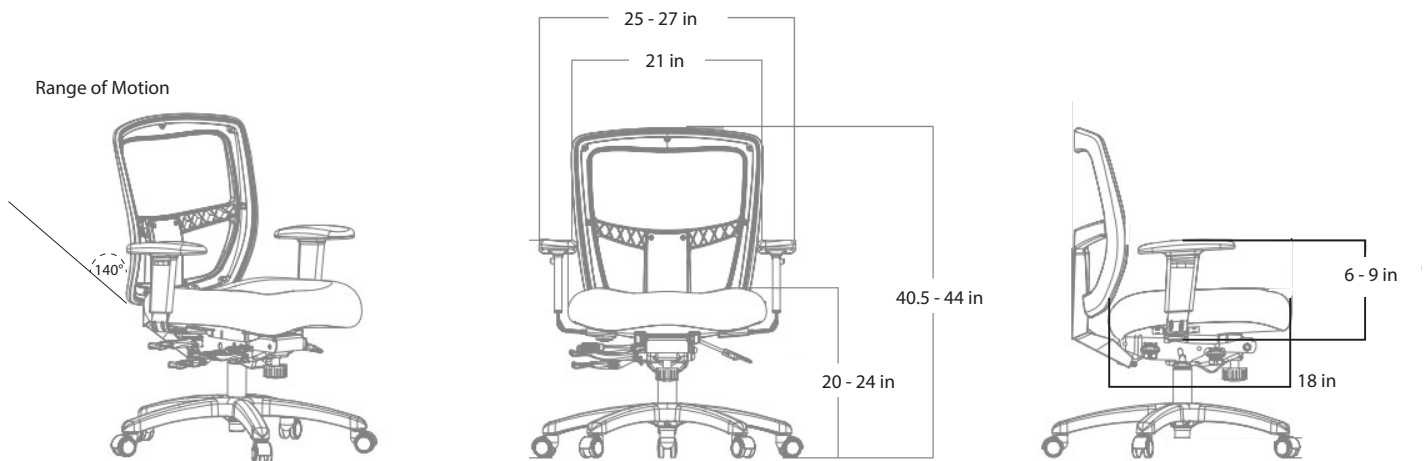
## Vektor



## Zone Classic



## MidZone



# Pricing and Specifications

## Task Seating

### Vektor



Grey



Black

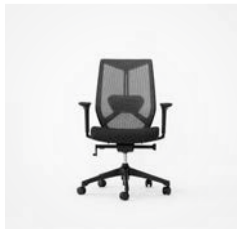


description	model #	height	width	depth	weight	list price
Mid Back Task	FD00251-Grey	38"- 42"	25"	17"	36.6 lbs	\$737
	FD00251-Black					\$737

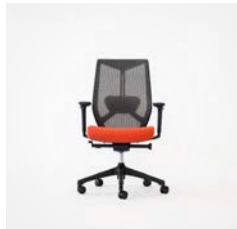
### Ignite



Grey



Black



Orange



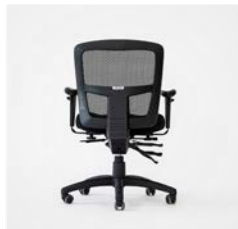
description	model #	height	width	depth	weight	list
Mid Back Task	FD00253-Black	39"- 42"	27"- 29"	17.5"	43.5 lbs	\$1152
	FD00253-Grey					
	FD00253-Orange					

## Amenity



description	model #	height	width	depth	weight	list price
Mid Back Task	BJ-MBSWA-A	34.25" - 35"	23.25"	21.5"	33 lbs	\$805

## Zone



MidZone

Zone Classic

description	model #	height	width	depth	weight	list price
Mid Back Task (MidZone)	BJ-MM2242BT	40" - 44"	25 - 27"	19" - 22"	56 lbs	\$898
Mid Back Task (Zone Classic)	BJ-MM2333M	40" - 43"	24" - 27"	23"	46 lbs	\$666

## Conference/Executive Seating

### Prov



Blue



Black



Grey



description	model #	height	width	depth	weight	list
Mid Back Task	F300-Blue	35" - 38"	23"	23"	35.3 lbs	\$1,248
	F300-Black					
	F300-Grey					

### Madison



Mid Back



High Back



description	model #	height	width	depth	weight	list price
Mid Back Executive/ Conference	BJ-MBXSW-M	39" - 41.25"	25.25"	25"	55 lbs	\$984
High Back Executive/ Conference	BJ-HBXSW-M	46" - 48.25"	25.25"	24.5"	58 lbs	\$1,042

## Side Seating

### Axiom



description	model #	height	width	depth	weight	list price
Black back	BJ-S-AB	34.5"	24.75"	22"	58 lbs (2 pcs)	<b>\$1,447 sold in pairs</b>
White back	BJ-S-AW	34.5"	24.75"	22"	58 lbs (2 pcs)	<b>\$1,447 sold in pairs</b>

## Stacking Seating

### Prep



White



Blue



Grey



Prep Dolly

description	model #	height	width	depth	weight	list price
Stacking Chair	FCH-252C-White	32"	22"	17.72"	32.7 lbs (2 pcs)	<b>\$522 sold in pairs</b>
	FCH-252C-Blue					
	FCH-252C-Grey					
Prep Dolly	FCH-252C-TC	38"	19.29"	49"	32.4 lbs	\$416

## Anza Collection

### Anza Lounge Chair



Smoke



Charcoal

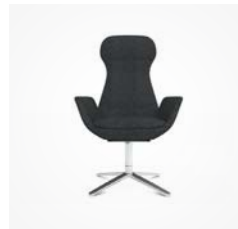
description	model #	height	seat height	arm to arm width	seat width	depth	list price
Anza Lounge Chair	FD356-SMOKE FD356-CHARCOAL	36.5"	15.5"	26"	21.5"	29"	\$3,894

## Nik Collection

### Nik Lounge Chair



Smoke



Charcoal

description	model #	height	seat height	arm to arm width	seat width	depth	list price
Nik Lounge Chair	FF1703-SMOKE FF1703-CHARCOAL	38"	15"	29"	19.5"	35"	\$2,842

### Nik Ottoman



Smoke



Charcoal

description	model #	height	width	depth	list price
Nik Ottoman	FT1703-SMOKE FT1703-CHARCOAL	14"	20.5"	20.5"	\$1,105

## Hanno Collection

### Hanno Sofa



Frost



Navy

description	model #	height	seat height	arm to arm width	seat width	depth	list price
Hanno Sofa	FS81N-03-FROST FS81N-03-NAVY	27"	16"	69.5"	65"	28"	\$4,947

### Hanno Loveseat



Frost



Navy

description	model #	height	seat height	arm to arm width	seat width	depth	list price
Hanno Loveseat	FS81N-02-FROST FS81N-02-NAVY	26"	16"	50"	43"	21"	\$4,105

### Hanno Chair



Frost



Navy

description	model #	height	seat height	arm to arm width	seat width	depth	list price
Hanno Chair	FS81N-01-FROST FS81N-01-NAVY	27"	16"	30.5"	25"	27"	\$2,526



# Jot Collection

## Jot Sectional Sofa



Double Seat Left



Double Seat Right



Single Seat Left



Single Seat Right



Double Middle Seat



Corner Seat



Stone

description	model #	height	seat height	width	depth	list price
Jot Double Seat Right	FAR-KAS-SO-05-STONE	26"	15.5"	57"	28"	\$3,000
Jot Double Seat Left	FAR-KAS-SO-06-STONE					
Jot Double Middle Seat	FAR-KAS-SO-09-STONE	26"	15.5"	51"	28"	\$3,263
Jot Corner Seat	FAR-KAS-SO-10-STONE	26"	15.5"	34.5"	28"	\$2,526
Jot Single Seat Right	FAR-KAS-SO-07-STONE	26"	15.5"	27"	28"	\$2,368
Jot Single Seat Left	FAR-KAS-SO-08-STONE					

## Jot Highback Sofa



Heather



Navy

description	model #	height	seat height	arm to arm width	seat width	depth	list price
Jot Highback Double	FAR-KAS-SO-01-HEATHER FAR-KAS-SO-01-NAVY	53"	14.5"	60.5"	46"	29"	\$5,684

## Jot Lounge Chair



Heather



Navy

description	model #	height	seat height	arm to arm width	seat width	depth	list price
Jot Low Back Single	FAR-KAS-SO-04-HEATHER	27"	16"	38"	23"	30"	\$2,526
	FAR-KAS-SO-04-NAVY						

## Jest Collection

### Jest Lounge Chair



Steel



Dusk



Canary

description	model #	height	seat height	arm to arm width	seat width	depth	list price
Jest Lounge Chair	FAR-SYS-CH-01-STEEL FAR-SYS-CH-01-DUSK FAR-SYS-CH-01-CANARY	32.5"	16"	28"	20.5"	28"	\$2,263

### Jest Guest Chair



Steel



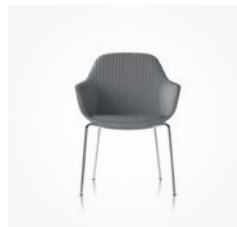
Dusk



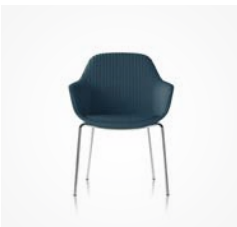
Canary

description	model #	height	seat height	arm to arm width	seat width	depth	list price
Jest Guest Chair	FAR-SYS-CH-02-STEEL FAR-SYS-CH-02-DUSK FAR-SYS-CH-02-CANARY	32.5"	18"	24"	17.5"	23"	\$1,947

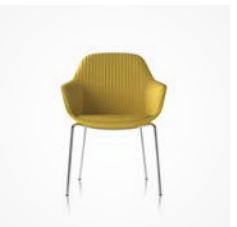
### Jest Table Chair



Steel



Dusk



Canary

description	model #	height	seat height	arm to arm width	seat width	depth	list price
Jest Table Chair	FAR-SYS-CH-04-STEEL FAR-SYS-CH-04-DUSK FAR-SYS-CH-04-CANARY	32.5"	18.25"	24"	17.5"	24.5"	<b>\$2,210 sold in pairs</b>

## Jest Y Base Chair



Steel



Dusk



Canary

description	model #	height	seat height	arm to arm width	seat width	depth	list price
Chrome Base	FAR-SYS-CH-06-STEEL	32.5"	18"	24"	17.5"	23"	<b>\$2,947 sold in pairs</b>
	FAR-SYS-CH-06-DUSK						
	FAR-SYS-CH-06-CANARY						

## Jest Counter Chair



Steel



Dusk

description	model #	height	seat height	arm to arm width	seat width	depth	list price
Jest Counter Chair (chrome base)	FAR-SYS-CH-10-STEEL	38.5"	30.5"	20"	16"	19.5"	<b>\$2,000 sold in pairs</b>
	FAR-SYS-CH-10-DUSK						
Jest Counter Chair (white base)	FAR-SYS-CH-10P-STEEL	38.5"	30.5"	20"	16"	19.5"	<b>\$2,000 sold in pairs</b>
	FAR-SYS-CH-10P-DUSK						

## Pog Collection

### Pog Stool



Spring

Summer

Fall

Winter

description	model #	height	width	depth	weight	list price
Faux leather & fabric sofa stool	F001C - Fall	18.31"	16.17"	17.72"	19 lbs	\$526
	F001C - Winter					
	F001C - Spring					
	F001C - Summer					

### Pog II Small



Heather

Navy

Saffron

description	model #	height	width	depth	list price
Pog II Stool	FAR-BON-PO-S-SAFFRON	17.5"	15.5"	15.5"	\$1,053
	FAR-BON-PO-S-HEATHER				
	FAR-BON-PO-S-NAVY				

### Pog II Medium



Heather

Navy

Saffron

description	model #	height	width	depth	list price
Pog II Seat	FAR-BON-PO-M-SAFFRON	16"	24"	24"	\$1,474
	FAR-BON-PO-M-HEATHER				
	FAR-BON-PO-M-NAVY				

## Pog II Large



Heather



Navy



Saffron

description	model #	height	width	depth	list price
Pog II Ottoman	FAR-BON-PO-L-SAFFRON	14.5"	40"	40"	\$2,631
	FAR-BON-PO-L-HEATHER				
	FAR-BON-PO-L-NAVY				



[friant.com](https://friant.com) | [@friantworkspace](https://twitter.com/friantworkspace)

March 2021