

NOVO

PRICE BOOK



FRÍANT

ALL
WORKSTYLES
WELCOME

TABLE OF CONTENTS

INTRODUCTION		Transaction Supports	20		
Terms and Conditions	3	How to Specify My-Hite 2 Piece Extended			
Standard Fabrics	6	Corner or Rectangular Tops	21		
Non-Standard Fabrics	7	Grommet Locations	23-27		
Pattern Direction	8	Power Grommets	28		
Standard Finishes	9				
Trim/End Panel/Panel Glazing	10				
Pull Options, Novo Storage	11				
Data Port Plate	12				
Panel Options, Knockout Location	13				
Maximum Panel Run	14				
Matching WS and HS Panels	16				
Festoons	17				
Door Swing Detail	19				
<hr/>					
MONOLITHIC PANELS		WORKSURFACES		COMPONENTS	
Monolithic Hard Surface Panel		Rectangular	69	Components	119
Non-Electrical	30	Wedge	71	Frameless Glass	
Electrical	32	90° Notched and Curved Corner	72	Clear	120
Monolithic Hard Surface Partial-Glazed		Square Edge Half Circle	73	Frosted	121
Non-Electrical	34	Quarter Round Tops	74	Privacy Screen, Fabric	122
Electrical	35	120 °Wedge Tops	75	Privacy Screen, Marker Board	123
Monolithic Fabric-Covered Panel		Square Edge D-Shaped	76	Privacy Screen, Laminate	124
Non-Electrical	36	90° Extended Notched Corner	77	Modesty Panel, Laminate	125
Electrical	38	90° Extended Curved Corner	80	Tackboards	126
Monolithic Partial Glazed Panel		90° Ext Notched Corner Peninsula	83	Markerboards	127
Non-Electrical	40	Ext Curved Corner Peninsula	87	Overheads and Shelves	128
Electrical	41	Ext Curved Corner P-Shape Peninsula	91		
		Ellipse End Peninsula	93	STORAGE	
SEGMENTED PANELS		Rectangular Asymmetrical	94	Pedestals	131
Specification Guide		120° Rectangular	95	Lateral Files	134
Design 1 & 2 Segmented Panel Kit	44	120° Corner / 90° Ends	96	Lateral File Counterweight	135
Design 1 & 2 Segments	45	120° Corner / 120° Ends	97	Front-To-Back File Bars	135
Design 1 Segmented Panels	46	135° Corner	98	Extended Glides	135
Design 2 Segmented Panels	47	135° Double Corner	99	Lateral File Tops	136
Design 1 Segmented Panel	48	Transaction Surface	100	Freestanding Credenza Units	138
Design 2 Segmented Panel	52	Corner Transaction	101	Credenza Cushion	139
DOOR FRAMES				Freestanding Towers	140
Door Frames	57	MY-HITE WORKSURFACES		PULLS	
		Rectangular	103	Pulls	
PANEL HARDWARE		Corner	104	Lateral	143
Draw Rod	59	90° Extended Curved Corner	105	Pedestal	144
Connectors	60	Rectangular Extension	107		
		D-Shaped	108	ACCESSORIES	
ELECTRICAL DISTRIBUTION		Wedge	109	Desk Mounted Power Unit	146
Electrical Distribution	63	120° Corner / 90° Ends	110	Toolbar	146
Power Grommets	67	120° Corner / 120° Ends	111	Flat Paper Tray	146
		WORKSURFACES SUPPORT		Vertical Single Tray	146
		Grommets	112	Vertical Triple Tray	146
		Flat Bracket & Anti-Sag Bars	113	Carpet Gripper	147
		Supports	114	Single & Dual Monitor Arm	147
		Worksurface Supports Bracket	116	Keyed-Alike Information	148

Terms and Conditions

PRICES

All Prices are F.O.B. point (Continental U.S.). We reserve the right to change prices without prior notice.

ORDERING

Purchase Orders should be sent to Friant & Associates, LLC at orders@friant.com, or faxed to (510) 535-6895. If your specifications were created with CAP, GIZA, or Project Matrix please send the worksheet (SP4) with your Purchase Order.

TERMS

Net 30 days from date of invoice. Invoices are delinquent if not paid 30 days from date of invoice. In the event timely payment is not made, interest will be charged at the rate of 1.5% per month on delinquent accounts. Buyers will also be liable for normal collection costs and attorney's fee. 50% deposit is required with every order, unless prior arrangements have been made.

ORDERS

Orders are only accepted by issuance of our formal acknowledgment, and are subject to the terms set forth herein and on our order acknowledgment. It is the responsibility of the buyer to review our acknowledgment for accuracy.

LEAD TIME

Lead times are subject to availability.

SHIPPING

Friant generally palletizes, boxes and/or shrink-wraps its products. If buyer requests additional packaging or special shipping, then it is responsible for any extra costs that result. Buyer obtains title to products and assumes the risk of loss for them upon shipment from Friant's plant.

CLAIMS

We are not responsible for damage suffered in transit. Merchandise should be inspected for possible freight damage upon delivery. The consignee should file for damage or shortages with the carrier within 5 days of delivery. You are also protected for "concealed damage" if you file claim with the carrier within 5 days of delivery. Buyer must make all claims against Friant for defects, errors or shortages in writing within 10 days after delivery. Failure to make such a claim shall constitute full acceptance.

RETURNS

No merchandise may be returned without our written consent and shipping instructions. Unauthorized returns will not be accepted and will be returned freight collect.

PARTIAL SHIPMENTS

We will make every attempt to ship orders complete and on schedule. However, we reserve the right to make partial shipments, as merchandise is ready. Invoices covering these shipments are to be paid as they become due.

ORDER CHANGE – CANCELLATIONS

Our order confirmation is final and binding. Any order change or cancellation is subject to our ability to conform. For the most up to date information, always review the order change/cancellation policy online. Allowable changes within the posted policy must be made in writing.

SHIPMENT AND PREPAID FREIGHT

Unless otherwise instructed, we reserve the option to ship by what is, in our opinion, the best possible way. Upon request, we will prepay and add freight for accounts with established credit.

DELIVERY

We are not liable for delay or failure of delivery due to strikes and/or differences with workmen, war, riot, fire, compliance with government regulations, acts of nature, failure or delays of sources of supply, or any other causes beyond our control.

STORAGE

If buyer cannot accept delivery when merchandise is ready, we reserve the right to transfer goods to storage. Costs of transfer and storage will be charged to the buyer's account, and we will deem such transfer as constituting shipment for all purposes, including invoicing, as of the date the transfer is made.

Terms and Conditions continued

CONSTRUCTION — SPECIFICATIONS

All items are produced to price list specifications unless otherwise advised. All dimensions shown are approximate. Manufacturer reserves the right to make modifications and/or improvements without prior notice.

FABRIC APPLICATION

Standard fabric application for panels 67" and below is Non-Directional application. Panels taller than 67" are only available in Directional application. When ordering panels 67" and below to match a panel taller than 67", specify matching direction. See individual pricebook specifications for details.

Friant & Associates is not responsible for charges associated with replacement of products due to incorrect specifications.

CUSTOMER'S OWN MATERIAL

Yardage requirement is based on 66" wide plain covering material, and must be increased if less than 66" wide. Special instructions for handling material (pattern, directional fabric, right side of reversible fabric, etc.) must be submitted in writing before fabric is delivered. In the absence of special instructions, we reserve the right to use our own judgment. We reserve the right to reject any covering, which in our opinion, is unsuitable for our upholstery purposes. However, in no instance shall we be held responsible for unsatisfactory results due to use of covering unsuitable for our upholstery methods.

We will not be responsible for errors caused by buyers not supplying us with sample cuttings attached to their order giving full identification of covering material, (name of supplier, covering name, number and color) for identification purposes and advising us of model number and quantity to which each cover is to be applied.

Customer's own material that is shipped freight collect will be refused. A service charge will be applied for the return of unusable C.O.M. Contact factory.

RIGHTS AND WARRANTIES — LIMITED LIFETIME WARRANTY

This warranty is given to the initial purchaser and is valid from the date of purchase, for as long as the initial purchaser owns the product. This warranty covers defects in material and craftsmanship found during normal usage of the product during the warranty period. Normal usage is defined by 8 hour shifts in the product's intended application and in an indoor environment that conforms to the ANSI/ASHRAE Standard 55: Thermal Environmental Conditions for Human Occupancy (relating to air temperature, mean radiant temperature, air velocity, clothing insulation, metabolic rate, and humidity). Friant's warranty does not cover usage other than normal usage as defined in the previous sentence. If the product is defective, and if written notice of the defect is given to Friant & Associates within the applicable warranty period, Friant & Associates, at its option, will either repair or replace the defective product with a comparable component or product. This warranty applies to all products except as noted below.

High wear parts, such as wood veneer, fabrics, laminates and other covering material/finishes, foam, glides, etc. are warranted for one (1) year. This warranty does not apply to damage caused by a carrier, alteration to the product not expressly authorized by Friant & Associates, nor to product considered to be of a consumable nature such as bulbs, light ballasts, etc. It also does not apply to "Customer's Own Material" (i.e. material specified by the customer that is not a standard Friant & Associates offering) used in the manufacture of Friant & Associates products.

Our warranty for LED lights is 2 years.

Friant & Associates does not warrant the matching of colors, grain or texture, except to within commercially acceptable standards. This includes normal variations between dye lots (fabrics).

A product will not be considered defective, and Friant & Associates will not be obligated to replace it, if it is not installed in a proper manner (i.e. product not leveled, not secured properly, etc.) or if it is not used in a manner and/or in an environment that constitutes normal usage, as defined above.

Except as noted above, Friant & Associates makes no express or implied warranties to any product, and in particular makes no warranty of fitness for any particular use. At Friant & Associates' option, product repair and replacement is the customer's exclusive remedy for any and all product defects.

Friant & Associates shall not be liable for consequential, economic, or incidental damages arising from any product defect.

Terms and Conditions continued

CALIFORNIA PROP 65 WARNING

Products in this catalog can expose you to chemicals including wood dust, which is known to the State of California to cause cancer or birth defects or other reproductive harm. For more information go to <https://www.p65warnings.ca.gov/products/furniture-products>."

CARB

Friant products are CARB 93120 compliant for formaldehyde (phase 2)

TSCA TITLE VI

Friant products are TSCA Title VI Compliant

MAS

Accredited Compliance Designation - ANSI/BIFMA x71 & e3-2014 7.6.1, 7.6.2, 7.6.3

California Dept. Of Public Health Standard Method v1.2

Conforms With: LEED v4

Criteria of MAS Certified Green ® Program

Standard Fabrics & Tile Application

JOURNEY		TERRAIN		SLIDE		SILKY		SKY	
PF801-1	Quest	PF701-1	Cloud	PF101-1	Caramel	PF401-1	Natural	PF301-1	Terra
PF801-2	Voyage	PF701-2	Dusk	PF101-2	Slate	PF401-2	Parids	PF301-2	Birch
PF801-3	Transit	PF701-3	Wave	PF101-3	Pewter	PF401-3	Overcast	PF301-3	Moss
PF801-4	Amble	PF701-4	Earth	PF101-7	Java	PF401-5	Graphite		
PF801-5	Odyssey			PF101-9	Sterling				
PF801-6	Caravan			PF101-10	Crema				
PF801-7	Expedition			PF101-13	Mustard				
PF801-8	Wayfare			PF101-14	Avocado				
				PF101-15	Pumpkin				
				PF101-16	Ocean				
				PF101-17	Blueberry				
				PF101-18	Cardinal				
				PF101-19	Flamingo				
				PF101-20	Serenity				
				PF101-21	Azure				
				PF101-22	Orchid				
				PF101-23	Plum				
				PF101-24	Raven				

LIMITED AVAILABILITY

SLIDE		SILKY		STICKS		PASSAGE	
PF101-4	Verde	PF401-4	Field	PF501-3	Sage	PF601-1	Gull
PF101-6	Vintage			PF501-4	Straw	PF601-2	Grove
PF101-8	Latte					PF601-5	Leaf
PF101-12	Stem					PF601-6	Brook
						PF601-7	Trail
						PF601-8	Amber

Fabric is scheduled for discontinuation when inventory is exhausted. Please contact Customer Service for current stock levels. After discontinuation fabric will be available with extended lead time, subject to minimum yardage requirements.

NOTES:

- Passage and Terrain are not available on acoustical panels, pedestal cushions, tackboards or fabric screens.
- Please refer to the Fabric Direction Section in the Materials Reference Guide on the Dealer Resource Center for more details: <http://dealers.friant.com/dealers/product-literature/>
- **When ordering panels 67" and below to match an 85"H panel, specify matching direction.**
- Order fabric / finish sample online at www.friant.com
- Colors may vary slightly between dye lots.

Non-Standard Fabrics

CUSTOMER'S OWN MATERIAL

Yardage requirement is based on 66" wide plain covering material, and must be increased if less than 66" wide. Special instructions for handling material (pattern, directional fabric, right side of reversible fabric, etc.) must be submitted in writing before fabric is delivered. In the absence of special instructions, we reserve the right to use our own judgment. We reserve the right to reject any covering, which in our opinion, is unsuitable for our upholstery purposes. However, in no instance shall we be held responsible for unsatisfactory results due to use of covering unsuitable for our upholstery methods.

We will not be responsible for errors caused by buyers not supplying us with sample cuttings attached to their order giving full identification of covering material, (name of supplier, covering name, number and color) for identification purposes and advising us of model number and quantity to which each cover is to be applied.

Customer's own material that is shipped freight collect will be refused. A service charge will be applied for the return of unusable C.O.M. Contact factory.

NOTE:

Order fabric/ finish samples online at www.friant.com

GRADED IN PROGRAM

Additional fabrics are available for an upcharge of 30% of standard net. Additional discounting does not apply to upcharge. Please see below for more details. Any fabrics not listed below (including Guilford and Burch not on the list) must be COM.

FABRIC DIRECTION

All textiels listed are 66" wide, with the following icons used to denote the direction of which the fabric is applied. Any variations in the direction of fabric application will be noted by use of the icon and on which pieces the variation be used.

Burch

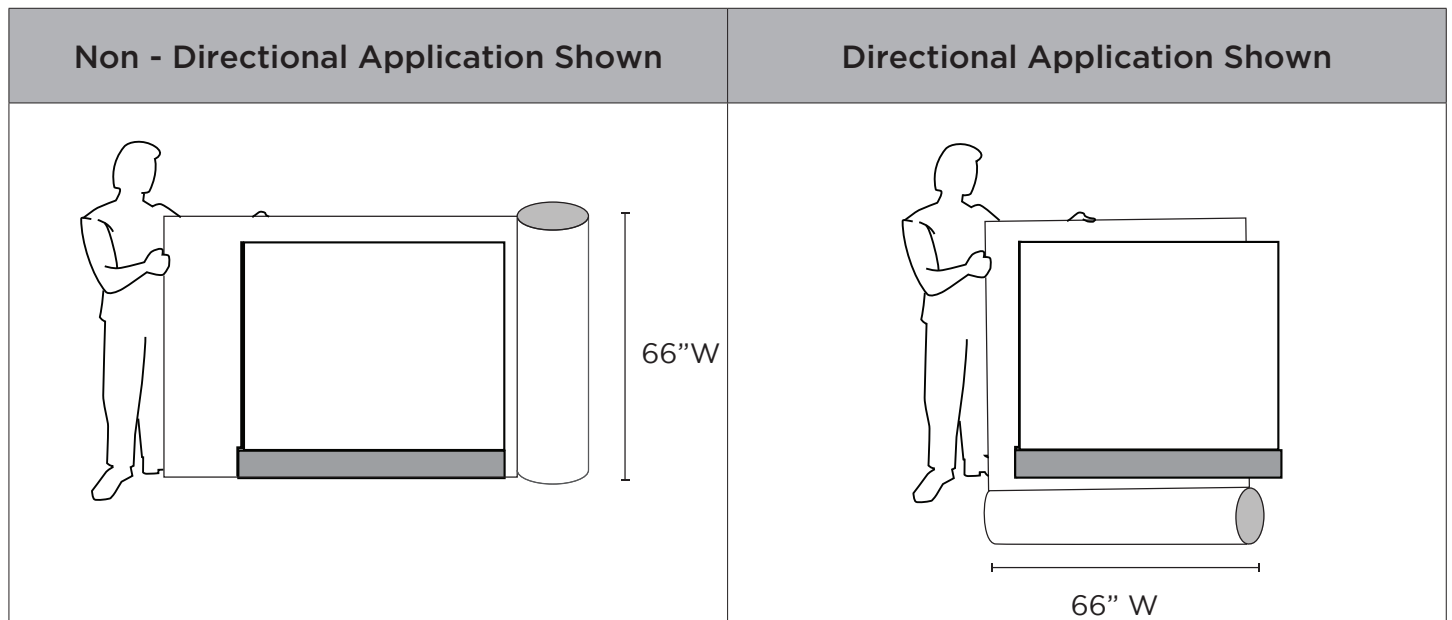
- o Chain Link (6 colors)
- o Columbus (7 colors)
- o Comet (4 colors)
- o Fine Point (6 colors)
- o Foundation (6 colors)
- o Glade (4 colors)
- o Starburst (8 colors)
- o Traction (6 colors)
- o Trail (8 colors)

Guilford

- o Anchorage 2335 - except cushions/see below (38 colors)
 - o Cushion Version is Open House 2334 (38 colors that are exact matches to Anchorage) same link as above applies
- o Auster (4 colors)
- o Bailey (2299 for panels - 9985 for cushions)
- o 2299 (9 colors)
- o Coastline (9 colors)
- o Crosstown (11 colors)
- o Drift (8 colors)
- o Groove (8 colors)
- o Meander (8 colors)
- o Metallation (10 colors)
- o Otto (9 colors)
- o Phone Tag (4 colors)
- o Spinel (15 colors)
- o Streetwise (14 colors)
- o Tempest (11 colors)

Pattern Direction

- Fabric direction is not always determined by the way the pattern is shown on memo sample.
- Certain product construction and sizes require fabric to be applied only Directionally or Non-Directionally.
- Some products have fabric applied either Directionally or Non-Directionally. (Upcharges may apply on some products, see price books for details).
- Please refer to our **Materials Reference Guide** on the Dealer Resource Center for specific pattern application defaults on all of our products: <http://dealers.friant.com/dealers/product-literature/>
- Our Customer Service Team is happy to answer any questions regarding fabric direction.



Standard Finishes - Laminate & PVC

Use the matrix below to identify worksurface, hardpanel and edge finish options. **Please note**, M1-M13 offer close matching finishes, while M14-M29 are paired as color matched finishes.

WORKSURFACE FINISHES		HARDSURFACE PANEL FINISHES		SUPPLIER	EDGE FINISHES (3MM PVC)	
M1	Light Maple	7909-60	Fusion Maple	Wilsonart	E1	Light Maple
M2	Light Cherry	7054-60	Wild Cherry	Wilsonart	E2	Light Cherry
M3	Medium Cherry	7924K-70	Biltmore Cherry	Wilsonart	E3	Medium Cherry
M4	Dark Mahogany	7040K-78	Figured Mahogany	Wilsonart	E4	Dark Mahogany
M5	Light Mahogany	7039K-78	Windsor Mahogany	Wilsonart	E5	Light Mahogany
M6	Light Gray	D327-60	Pepperdust	Wilsonart	E6	Light Gray
M7	Off White	1572-60	Antique White	Wilsonart	E7	Off White
M8	Gray Specks	4621-60	White Nebula	Wilsonart	*See additional edge finishes below	
M9	Cloud White	1573-60	Frosty White	Wilsonart	E9	Cloud White
M10	Espresso	7933K-07	Cafelle	Wilsonart	E10	Espresso
M11	Light Walnut	7937-60	River Cherry	Wilsonart	E14	Light Walnut
M12	Medium Walnut	7965K-12	Walnut Heights	Wilsonart	E15	Medium Walnut
M13	Licorice	FB3920	Licorice Groovz	Arauco	E13	Licorice
M14	Carob	FB3560	Driftwood	Arauco	E17	Carob
M15	Mousse	FB2960	Mochatini	Arauco	E18	Mousse
M16	Tundra	FB3930	Concrete Groovz	Arauco	E19	Tundra
M17	Cocoa	FB2990	Nirvana	Arauco	E20	Cocoa
M18	Capitan	FB3400	Aria	Arauco	E21	Capitan
M19	Fog	FB2100	Silver Frost	Arauco	E22	Fog
M20	Sandstone	FB2090	Shadow Frost	Arauco	E23	Sandstone
M21	Medium Oak	FB2030	Seria	Arauco	E24	Medium Oak
M22	Harbor	FB4310	Umbra	Arauco	E25	Harbor
M23	Bark	FB3970	Stromboli	Arauco	E26	Bark
M24	Tarmac	FB4320	Ashen	Arauco	E27	Tarmac
M25	Winter	FB2130	Fog Grey	Arauco	E28	Winter
M26	Storm	FB2000	Pewter Frost	Arauco	E29	Storm
M27	Medium Ash	8842	Weathered Ash	Formica	E30	Medium Ash
M28	Arctic	8841	White Ash	Formica	E31	Arctic
M29	Raven	1595-60	Black	Wilsonart	E32	Raven
		D91-60	Slate Gray	Wilsonart		

Note

- When pairing a laminate worksurface finish with hardsurface panel finish, there is a small difference in sheen.
- Match edging to worksurface finish by NAME, not number, or submit order with Edge To Match (ETM).
- Additional charge of 30% of standard net to use Hardsurface Panel Finishes on worksurfaces. Additional discounting does not apply to upcharge.

Note

- Hard Surface Panel Finishes are the standard laminates offered for hardsurface panels and laminate end panels (ending in -LAM).

* Additional Edge Finishes

E11	Medium Tone
E12	Dark Tone

Contact suppliers directly for hardsurface panel **finish samples**.

Wilsonart

tel: 800-433-3222, <https://www.wilsonart.com/contact-us> ,

Formica

tel: 800-367-6422, <https://www.formica.com/en-us/collections/commercial-ranges>

Arauco

Samples can be ordered at <https://store.samplingproduct.com/8340>.

Trim/End Panel/Panel Glazing

PAINT TRIM

DT Dark Tone
 MT Medium Tone
 CW Cloud White
 SV Silver

END PANEL - MEL (See page 81)

DT Dark Tone
 MT Medium Tone
 CW Cloud White

PANEL GLAZING

TR Clear (Default)
 FR Frosted (Contact Customer Service for leadtime)

GROMMETS

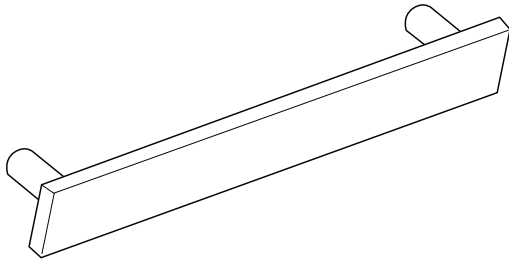
Grommet Color matches cantilever finish selected

PAINT FINISH	GROMMET
DT Dark Tone	Black
MT Medium Tone	Black
CW Cloud White	White
SV Silver	Silver

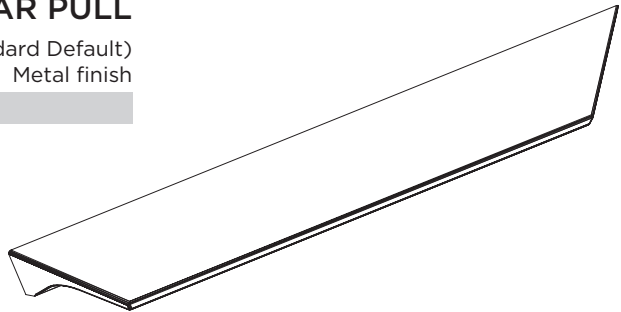
Note: grommets included on corner tops only, see item descriptions

Pull Options, Novo Storage

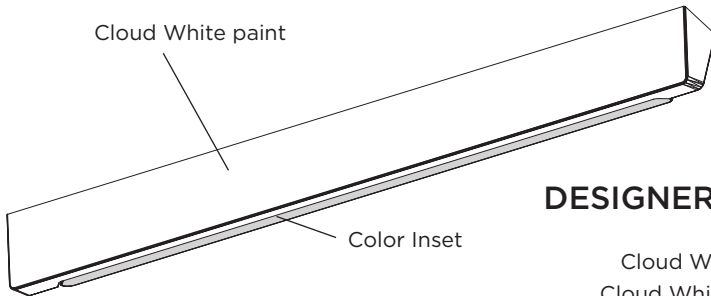
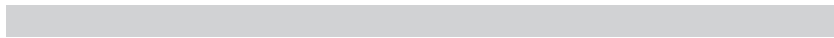
Friant offers multiple pull options. Please specify type when ordering. If you have any questions, please contact Friant Customer Service or your local sales rep.



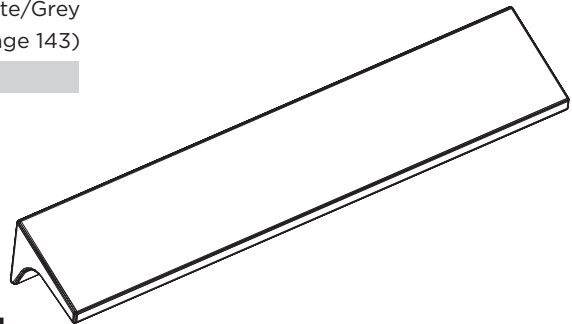
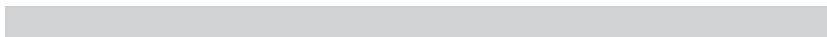
BAR PULL
(Standard Default)
Metal finish



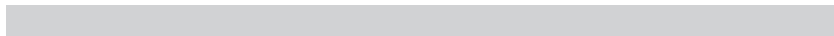
WEDGE PULL
Brushed metal finish
(Upcharge applies to metal storage page 143.)



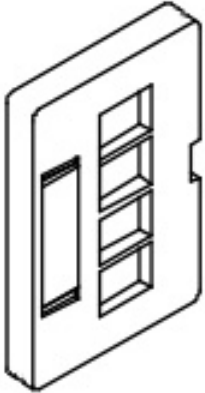
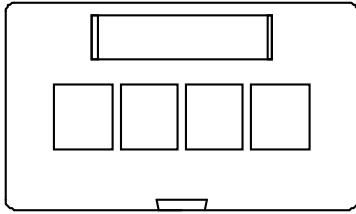
DESIGNER PULL
Cloud White/Red,
Cloud White/Green,
Cloud White/Grey
(Upcharge applies to metal storage. See page 143)



SLANT PULL
Brushed metal
(Upcharge applies to metal storage. See page 143)



Data Port Plate



Product Description

PART #: FHDPP

This Data Port Faceplate is field configurable, flush-mounted onto the Panel Base Kickplate, and provides 1 to 4 flush-mount ports for a variety of snap-in connectors and adaptors.

Product Notes

- Installation and changes can be made without removing the Panel Base Kickplate
- Plates can be installed and removed without any tools
- Window ID provided with each Data Port Plate
- Release latch provides easy access to connections without any tools
- Blank inserts included with each Data Port Plate

Dimensions

HEIGHT: 2¹/₈"

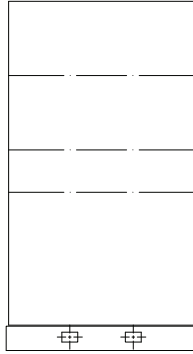
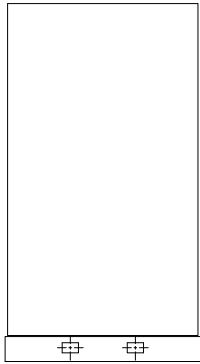
WIDTH: 3⁵/₈"

DEPTH: 0.75" (from face of Panel Base Kickplate)

MATERIAL: High impact plastic

Data Port Plate

The Novo system offers two categories of panels: monolithic and segmented.



KNOCKOUT LOCATIONS

- On powered panel knockouts are located 10.5" in from the edge of the panels.
- Knockouts are 3" by 1 7/8"
- Accepts receptacles, data port plates or base infeeds
- 24" frames have one knockout per side
- 30" and wider have two knockouts per side.



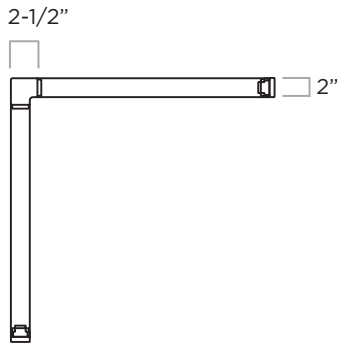
MONOLITHIC
Fabric Covered or Partial Glazed

SEGMENTED
Design 1 or Design 2, see pg 43

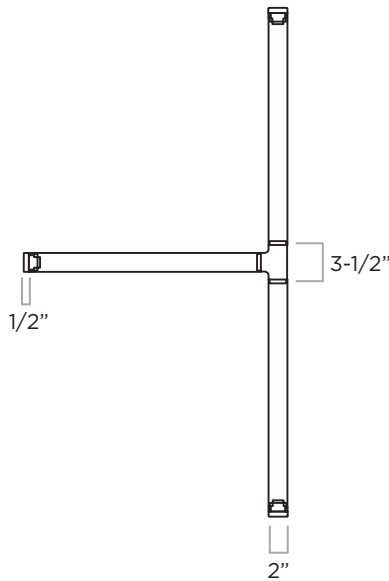
All panels are available electrical or non-electrical.
For Monolithic Panels, see page 29.
For Segmented Panels, see page 43 for spec guide and pages 29-52 for ordering.

Panel Creep

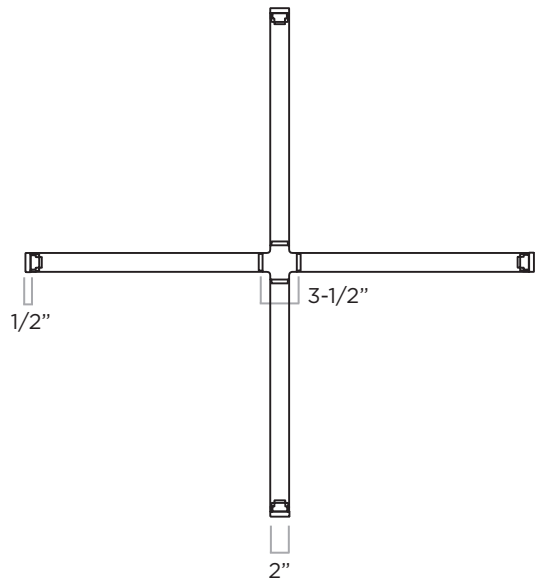
2-WAY



3-WAY



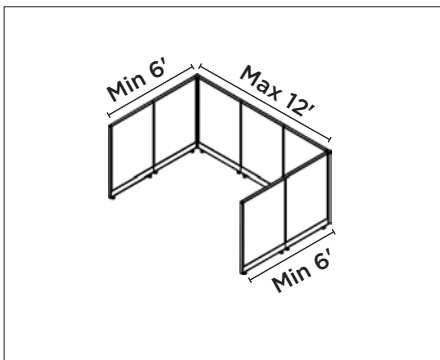
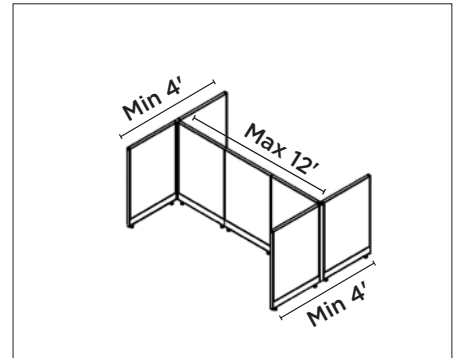
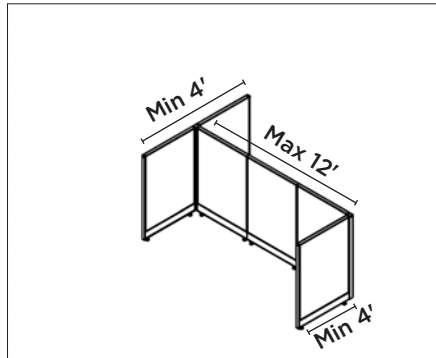
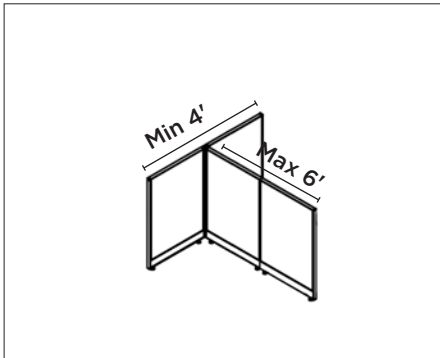
4-WAY



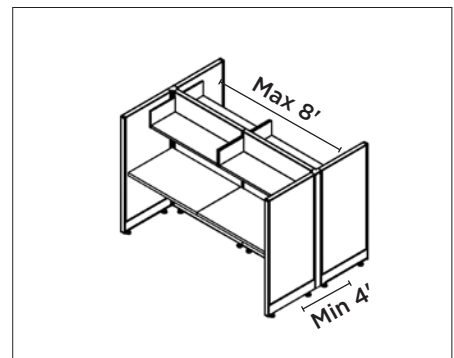
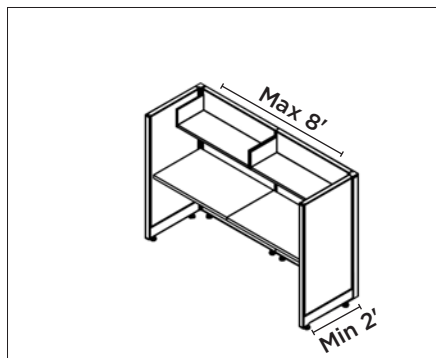
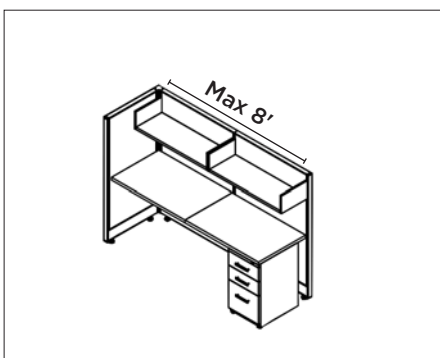
Maximum Panel Run - Recommended Guidelines

Panel runs need wall starts or wing panels for stability. Exceeding the recommended guidelines shown below may result in unstable panel configurations. Panels that are not properly supported will **yield** when pressure is applied.

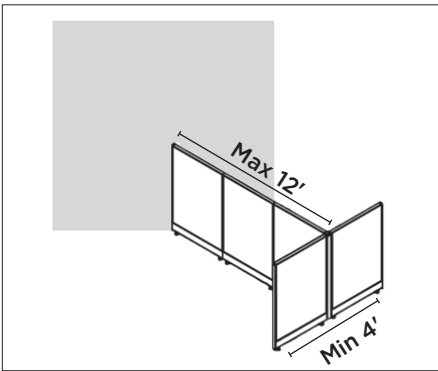
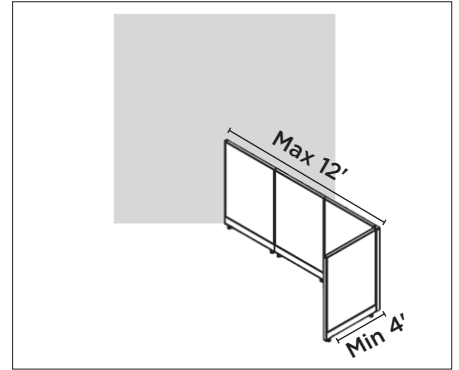
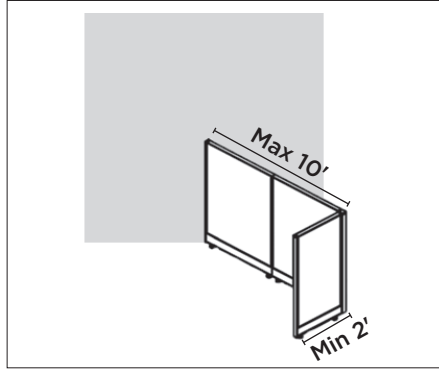
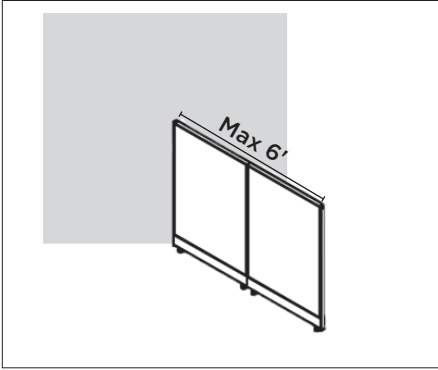
Freestanding



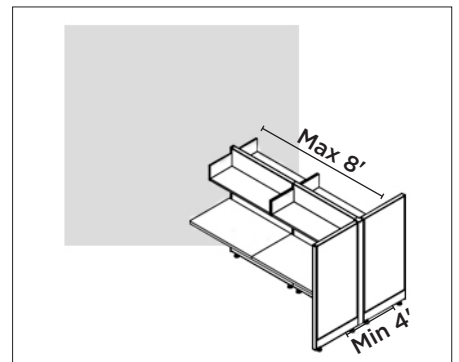
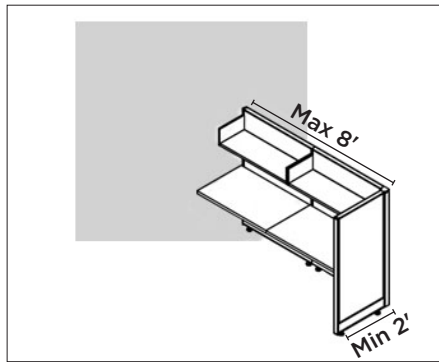
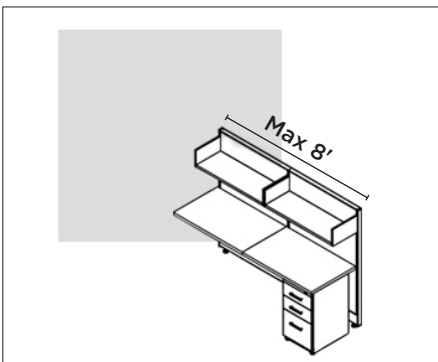
Freestanding with Components



Wall Start

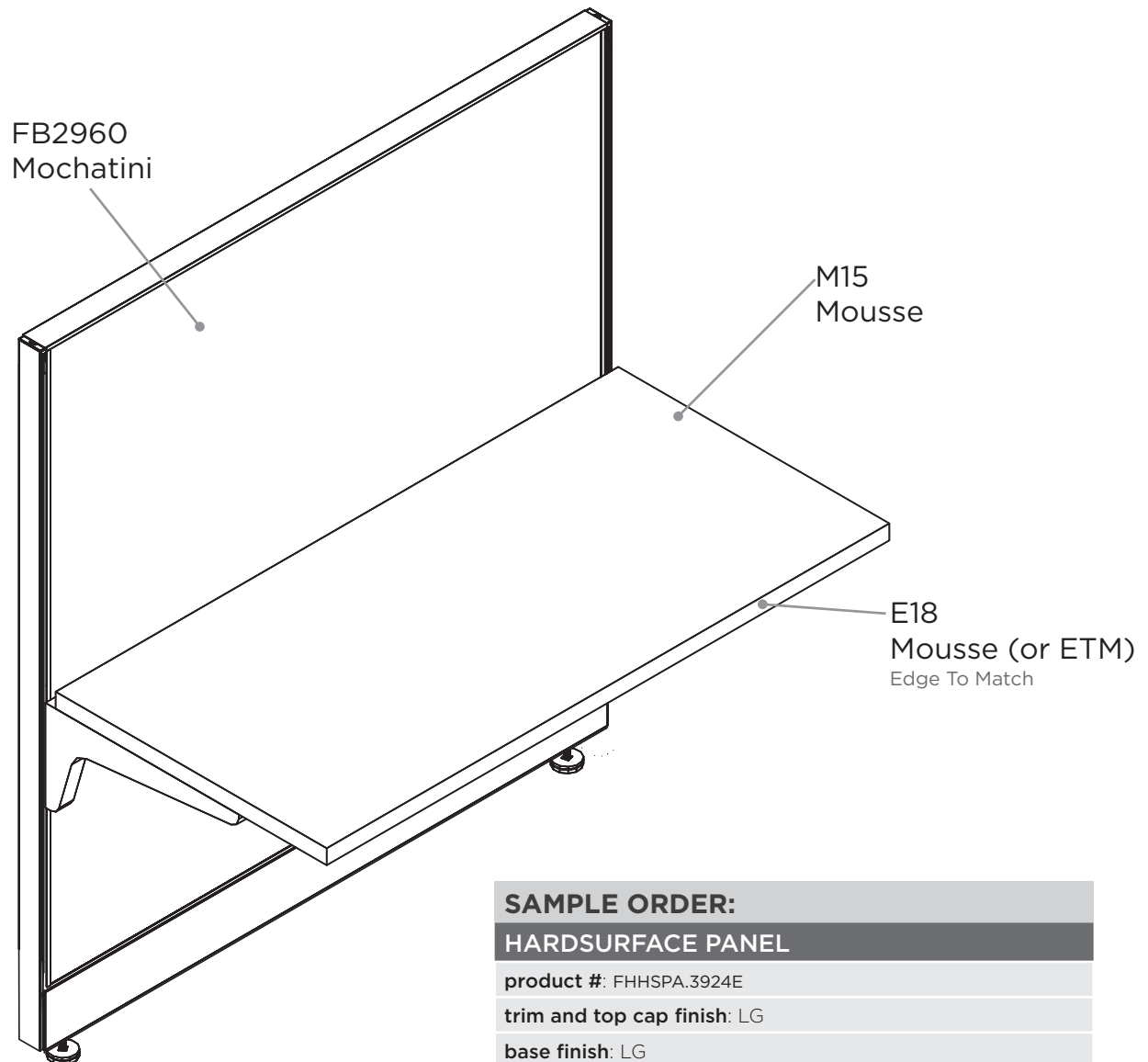


Wall Start with Components



Specifying Matching Worksurface and Hardsurface Panels

Pairing a worksurface finish with a hardsurface panel finish, use the matrix on page 9 to pick the standard finishes.



SAMPLE ORDER:

HARDSURFACE PANEL

product #: FHHSPA.3924E

trim and top cap finish: LG

base finish: LG

lamine finish (side 1): FB2960 Mochatini

lamine finish (side 2): F4320 Ashen

WORKSURFACE

product #: FHERWS.2424L

worksurface finish: M15 Mousse

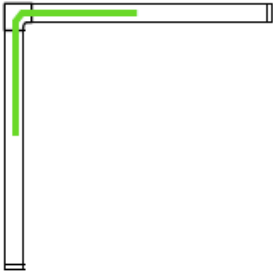
PVC edge: E18 Mousse

support finish: CW, Cloud White

Festoons

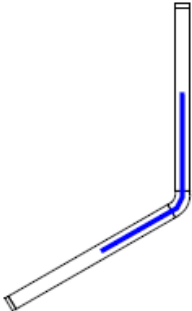
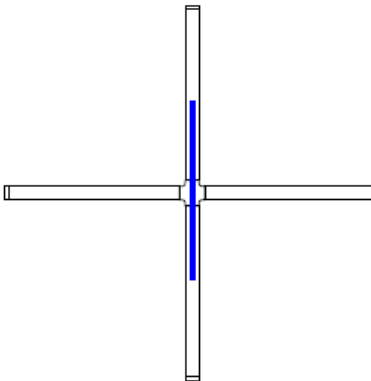
Festoons connect powered panels in a straight line or through connectors. All Novo powered panels will come with a panel to panel festoon, which extends power in a straight line from panel to panel. Because these are included, there is no need to order them separately.

Festoons will only need to be ordered separately when bringing power across a connector. Novo uses two different festoon sizes to achieve different connections. Please see below for details and specify festoons on page 65



90° Angle Festoon

- Part number FHCPK.90 on page 65
- Extends power at a 90 degree angle through a 2-way, 3-way, or 4-way connector



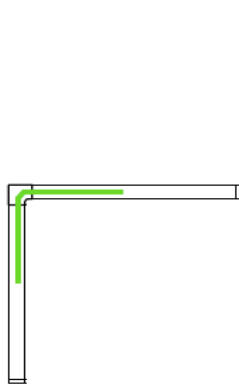
Panel Through Post Festoon

- Part number FHCPK.1 on page 65
- Extends power in a straight line through 90 ° 3-way or 4-way connector.
- Extends power through a 135° or 120° 2-way or 3-way connector.

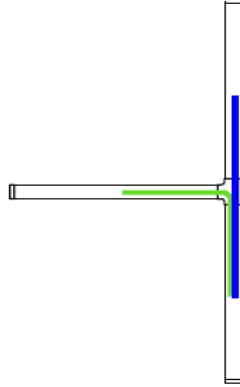
NOVO

Festoons..contd.

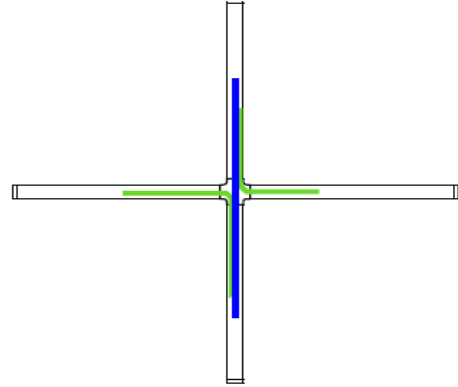
All Panels Powered



(1) FHCPK.90

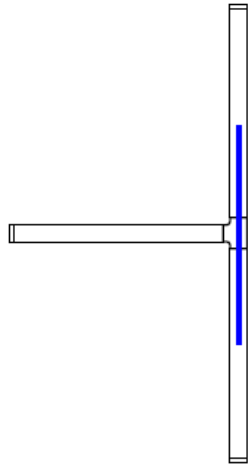


(1) FHCPK.90
(1) FHCPK.1

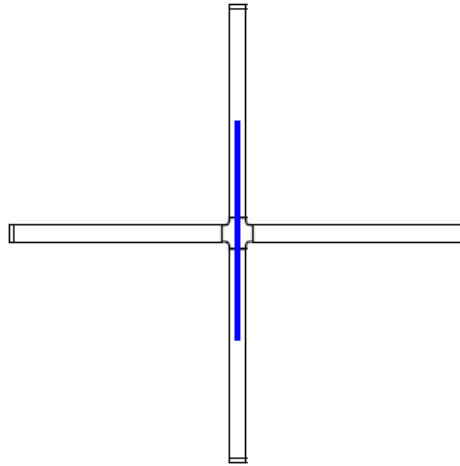


(2) FHCPK.90
(1) FHCPK.1

Spine Power Only

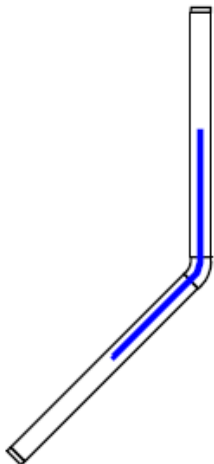


(1) FHCPK.1

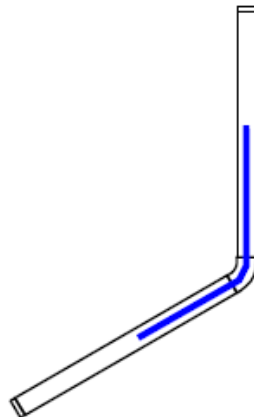


(1) FHCPK.1

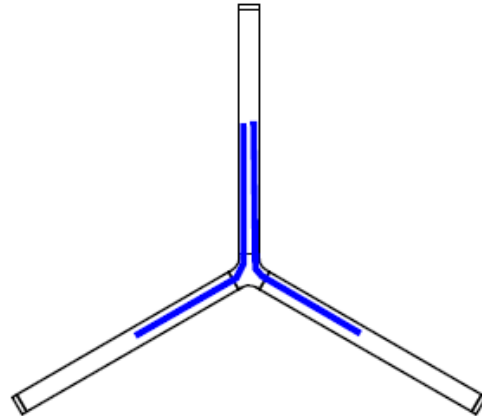
135 ° and 120 °



(1) FHCPK.1



(1) FHCPK.1



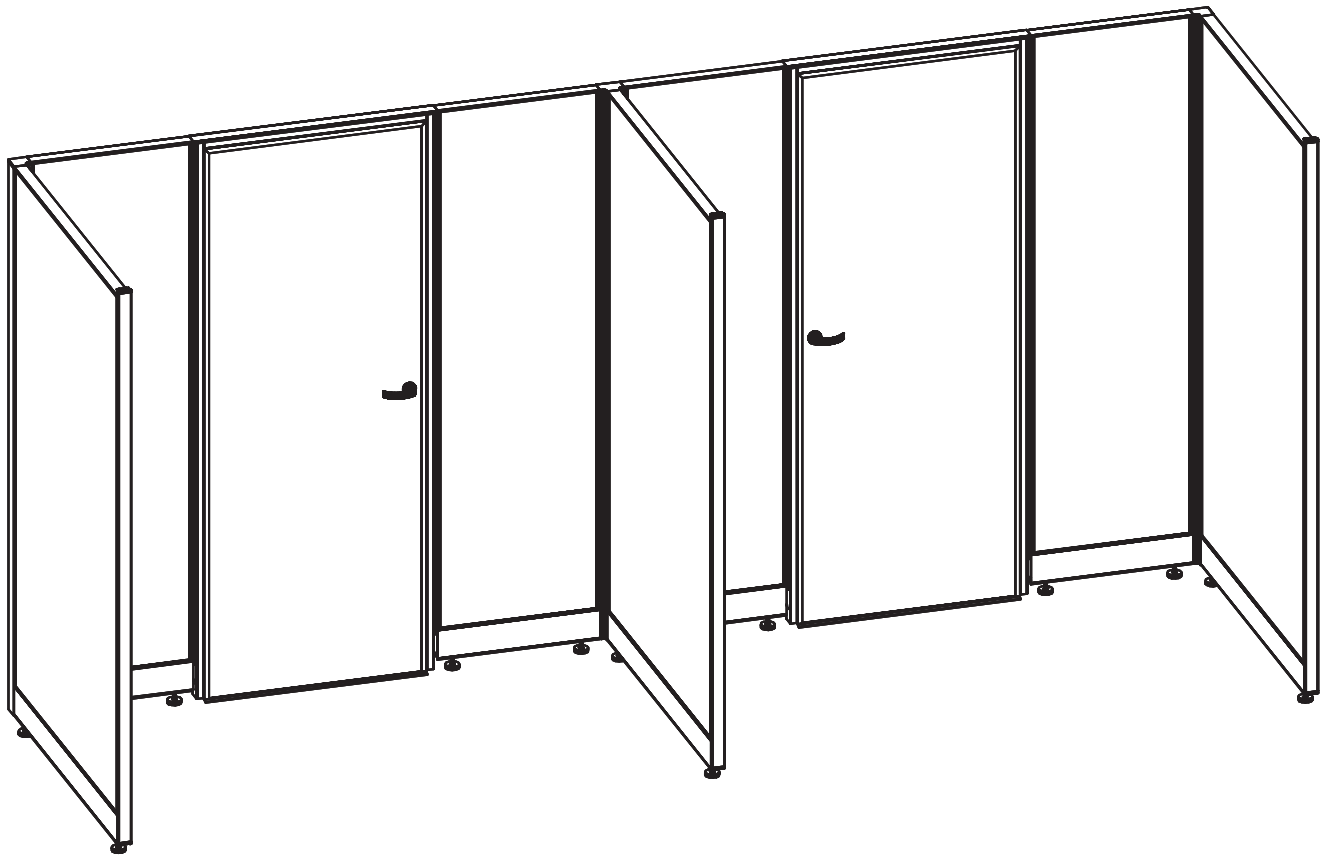
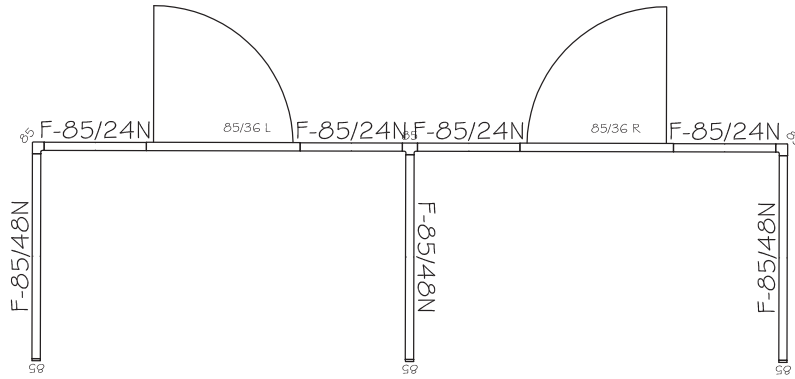
(2) FHCPK.1

Door Swing Detail

Novo doors are handed at the factory. Specify left or right hand swing on door on page 57

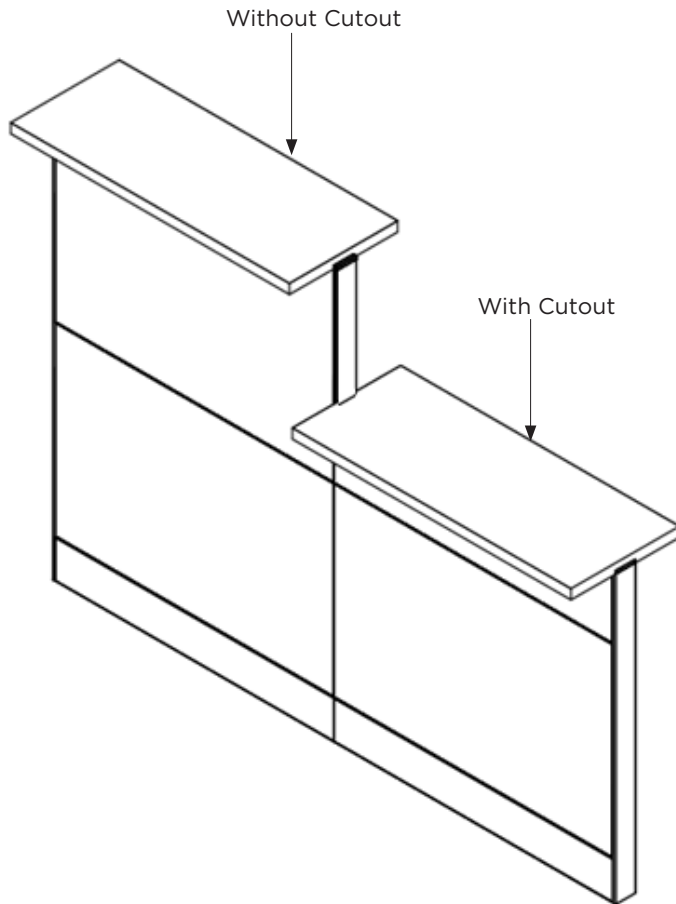
Left
FHDOPA.8536L

Right
FHDOPA.8536R



Transaction Support

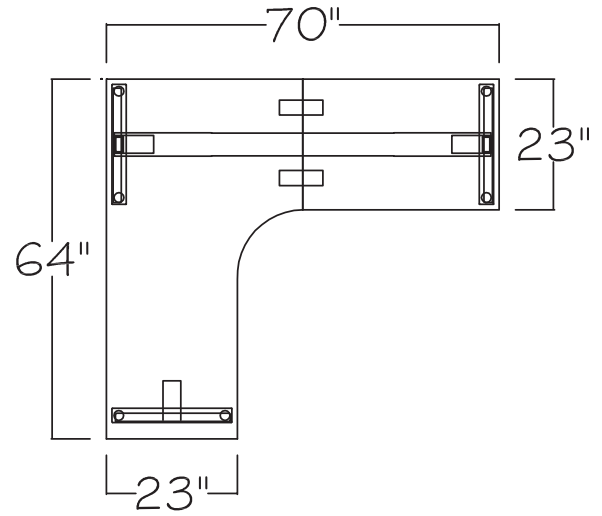
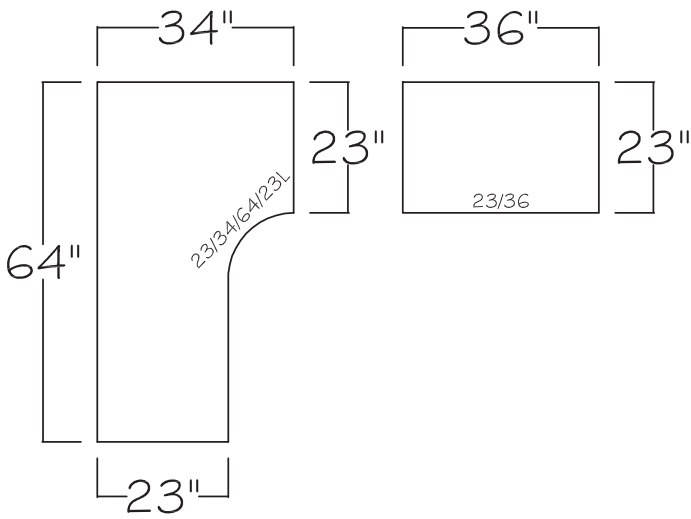
- Transaction tops with cutouts are used at the lower height at a change of height. The cutout accommodates the change of height trim. Specify transaction tops on page 88-89.
- The taller top does not need a cutout
- Novo Transaction supports do not need to be specified separately. Attachment hardware is included



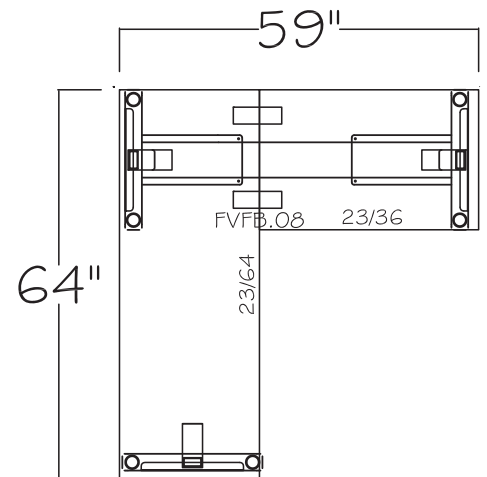
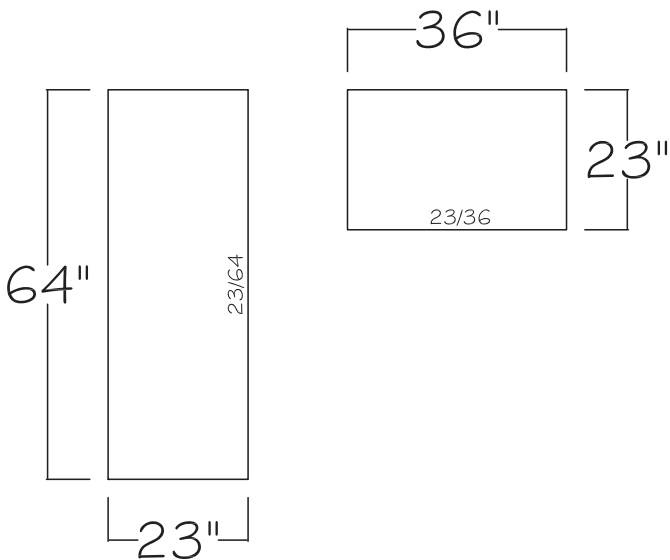
How To Specify My-Hite 2-Piece Extended Corner or Rectangular Tops

Use a FVFB.08 Flat Bracket pair to attach the two surfaces, making sure the seam is oriented so that it is supported by the continuous part of the My-Hite Corner Base. Maximum width combined: 72x96" or 84x84". Specify the Rectangular Extension on page 107.

To create an extended corner My-Hite station, specify an Extended Curved Corner with a Rectangular Extension.

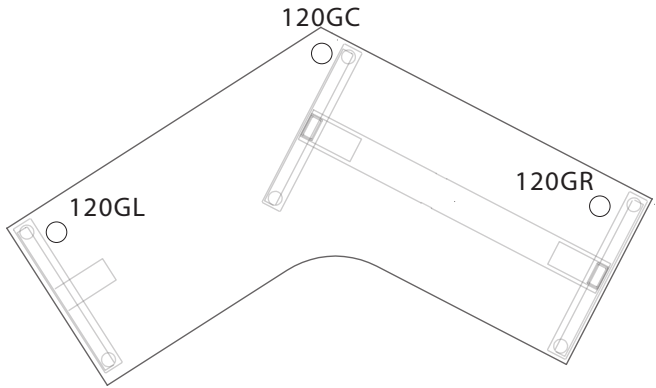


To create a two piece rectangular corner top, specify two rectangular tops, or a rectangular top and one rectangular extension.



Grommet Locations

2b Select a grommet location, 120° Tops



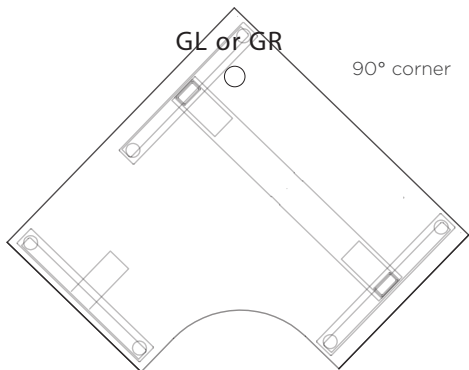
CODE	POSITION
120GL	4" from left side - 4" from rear
120GR	4" from right side - 4" from rear
120GC	Centered from side to side - 4" from rear

Dimensions are measured from grommet center

For other grommet locations, please call Friant customer service.

Grommets are 3" round with cover standard

2c Select a grommet location, 90° Equal Corners



CODE	POSITION
GL or GR	4" from from corner

Dimensions are measured from grommet center

For other grommet locations, please call Friant customer service.

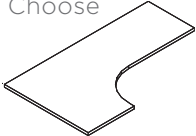
Grommets are 3" round with cover standard

Grommet Locations

1 Select a My-Hite worksurface

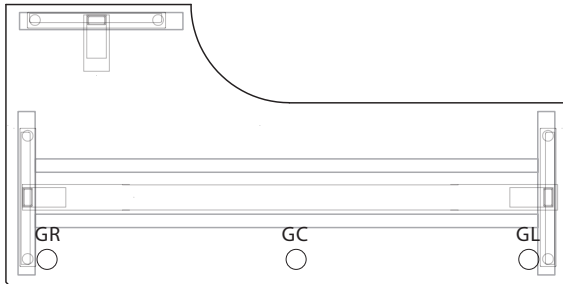
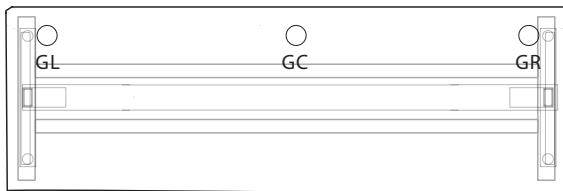
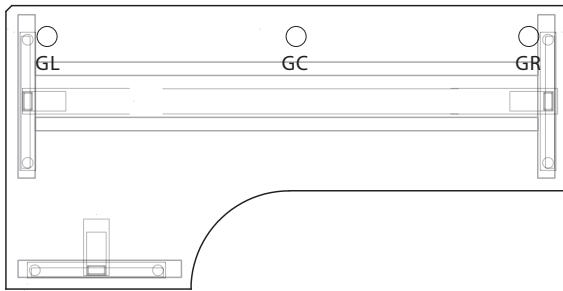
My-Hite tops (located on page 103) have optional grommets. Please use the two letter codes shown here when specifying location of grommets.

Grommets are 3" round with cover standard.

Choose	Specify Part #	Specify Finish
	FDECCWS.23345823R	Bark

2 Select a grommet location

Specify positioning by using the two letter location.

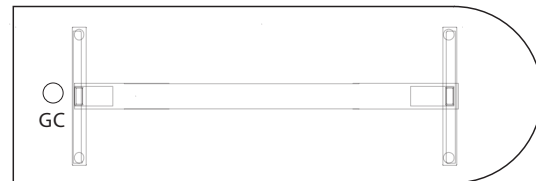


CODE	POSITION
GL	4" from left side - 4" from rear
GR	4" from right side - 4" from rear
GC	Centered from side to side - 4" from rear

Dimensions are measured from grommet center to top edge:

For other grommet locations, please call Friant customer service.

Please Note: Only the GC location is available on the D-Shaped worksurface.



Power Grommet Locations - Notch Cutouts, My-Hite Worksurfaces

FRIANT Power Grommet notch cutouts are required when specifying a Power Grommet on a worksurface supported by a My-Hite C-Leg adjustable height table base. Choose the size of power grommet (5x8 only) and cutout location (left, center or right). Specify Power Grommets on page 28 . An upcharge of \$75 applies for cutouts.

NOTE: Notch cutouts only available with 5x8 Power grommets and C-leg bases.

1 Select a My-Hite worksurface

My-Hite worksurfaces (starting on page 26)

2 Select a power grommet notch cutout location

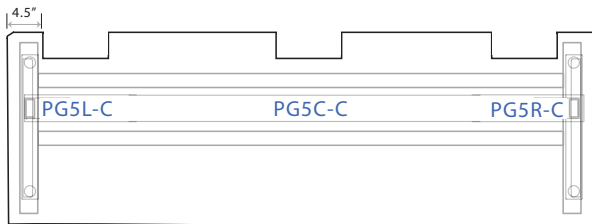
Less than 72"

CODE	POSITION (Specific to worksurfaces 72" and below)
PG5L-C	4.5" from left side
PG5C-C	Centered
PG5R-C	4.5" from right side

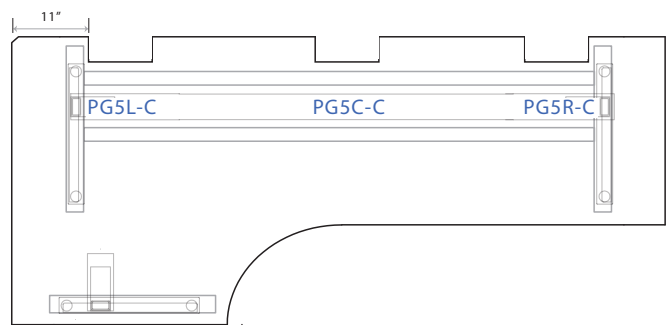
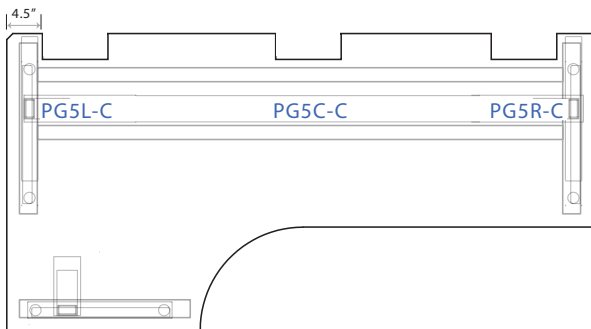
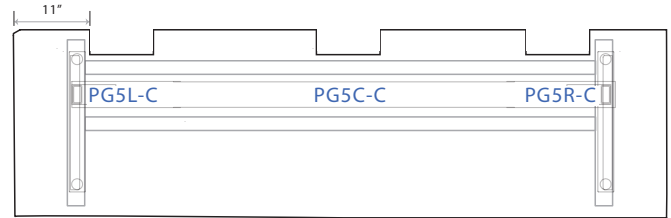
Over 72"

CODE	POSITION (Specific to 78" and 84")
PG5L-C	11" from left side
PG5C-C	Centered
PG5R-C	11" from right side

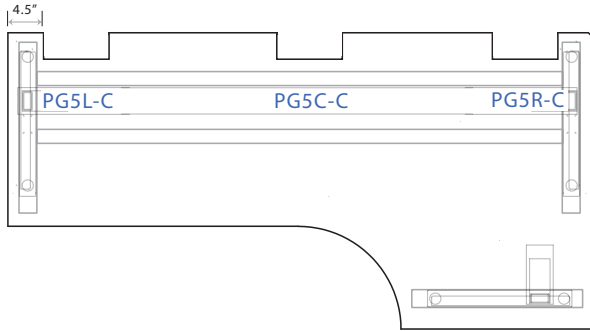
Less than 72"



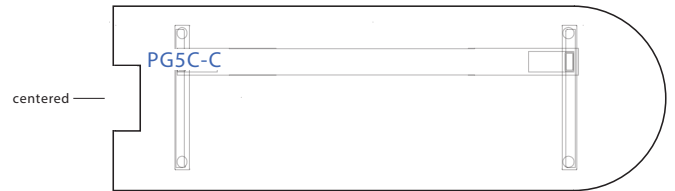
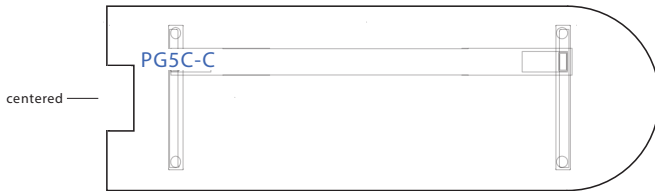
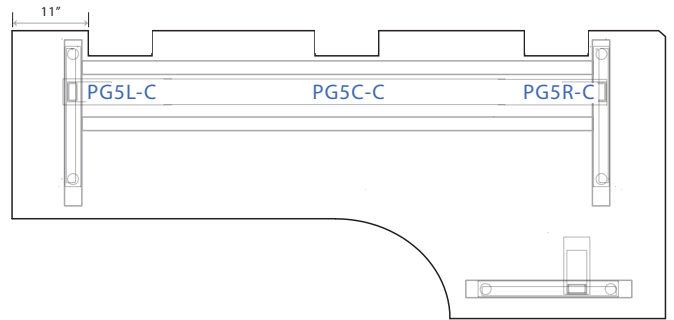
Over 72"



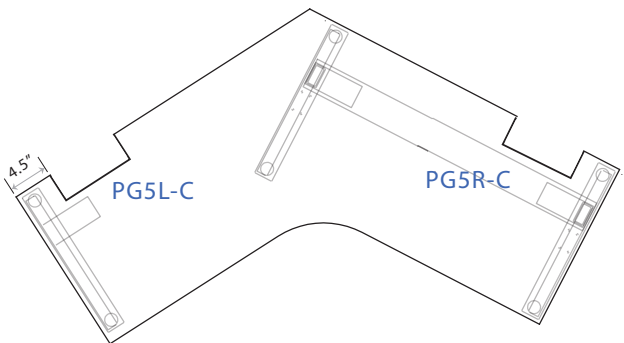
Less than 72"



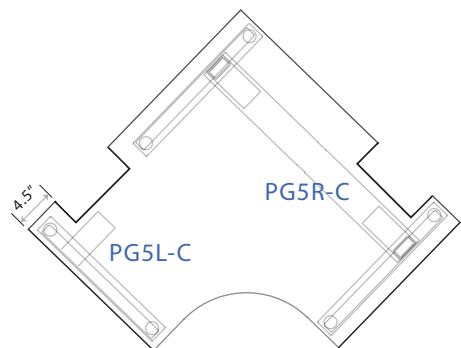
Over 72"



Positions for 120° worksurfaces:



Positions for 90° equal corner worksurfaces:



Power Grommet Locations - Interior Cutouts, My-Hite Worksurfaces

FRIANT Power Grommet interior cutouts are used when specifying a Power Grommet on a worksurface supported by a My-Hite T-Leg adjustable height table base. Choose the size of power grommet (5x8 or 6x8) and cutout location (left, center or right). Specify Power Grommets on page 28. An upcharge of \$75 applies for cutouts.

NOTE: Standard position Interior cutouts are not compatible with C-leg bases.

1 Select a My-Hite worksurface

My-Hite worksurfaces (starting on page 26)

2 Select a power grommet interior cutout location

Less than 72"

CODE POSITION (Specific to worksurfaces 72" and below)

PG6L	4.5" from left side, 1.5" from back
PG6C	Centered, 1.5" from back
PG6R	4.5" from right side, 1.5" from back
PG5L	4.5" from left side, 1.5" from back
PG5C	Centered, 1.5" from back
PG5R	4.5" from right side, 1.5" from back

Over 72"

CODE POSITION (Specific to 78" and 84")

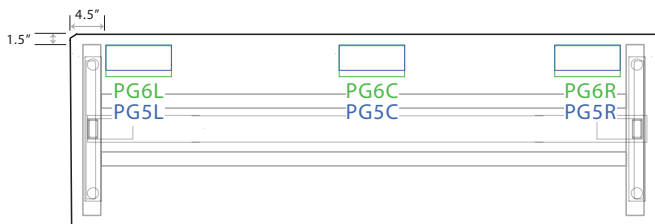
PG6L	11" from left side, 1.5" from back
PG6C	Centered, 1.5" from back
PG6R	11" from right side, 1.5" from back
PG5L	11" from left side, 1.5" from back
PG5C	Centered, 1.5" from back
PG5R	11" from right side, 1.5" from back

120° and 90° worksurfaces

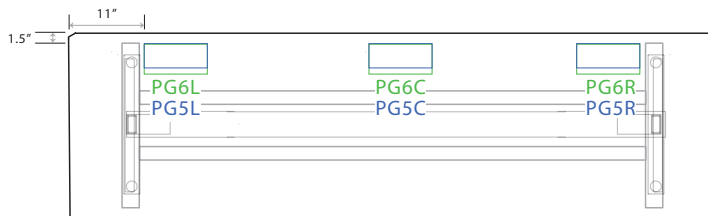
CODE POSITION (Specific to 120° and 90°)

PG6L	4.5" from left side, 1.5" from back
PG6C	Centered, 1.5" from back
PG6R	4.5" from right side, 1.5" from back
PG5L	4.5" from left side, 1.5" from back
PG5C	Centered, 1.5" from back
PG5R	4.5" from right side, 1.5" from back

Less than 72"

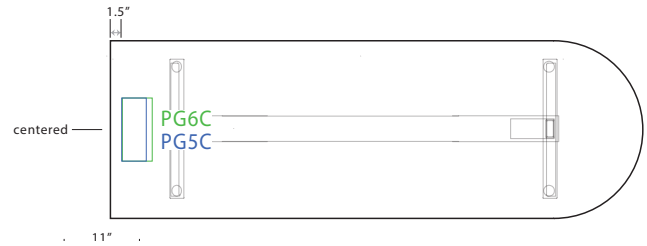
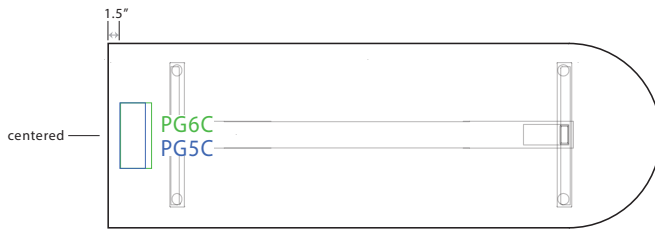
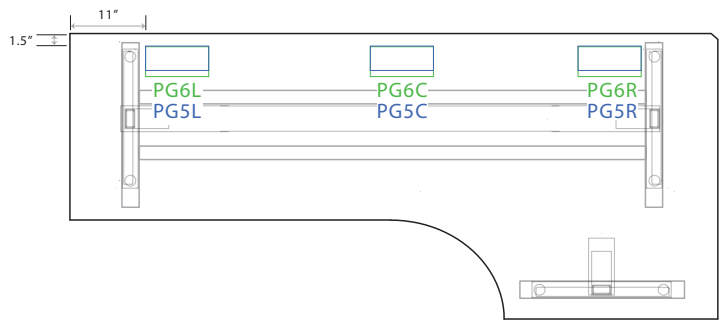
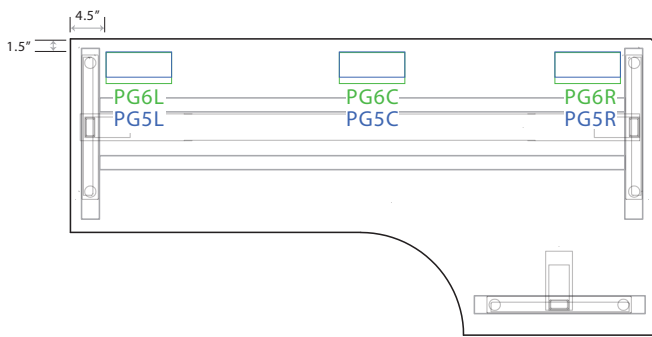
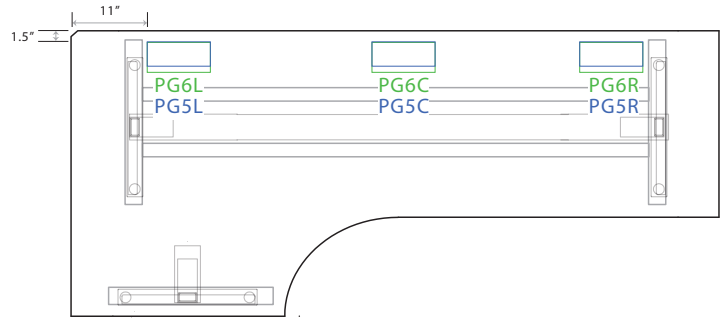
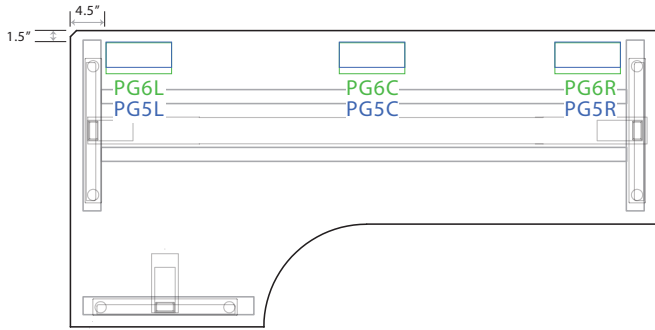


Over 72"



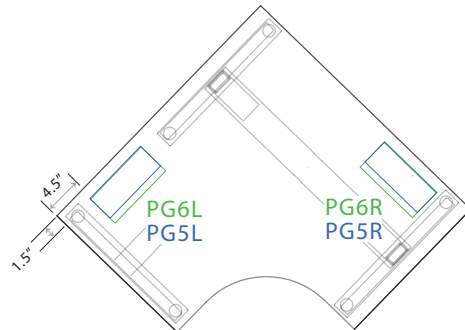
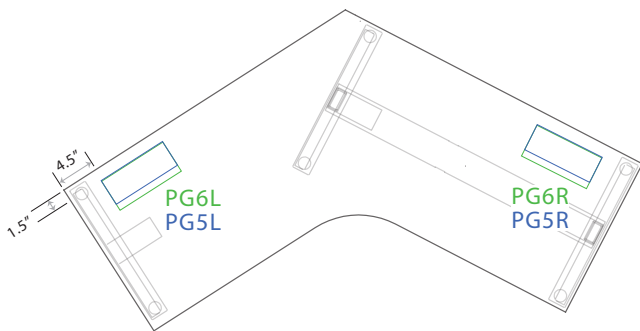
Less than 72"

Over 72"



Positions for 120° workspaces:

Positions for 90° equal corner workspaces:



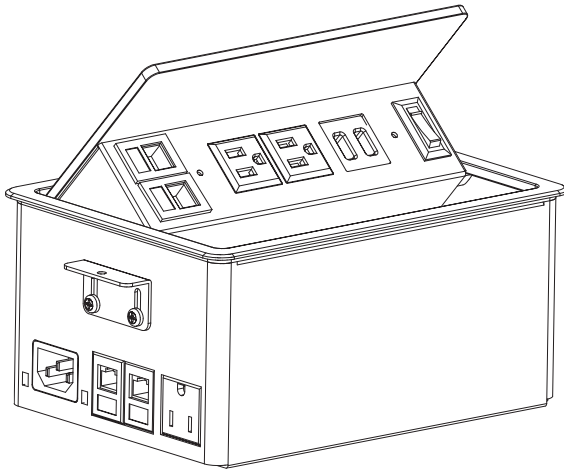
NOVO

Power Grommet

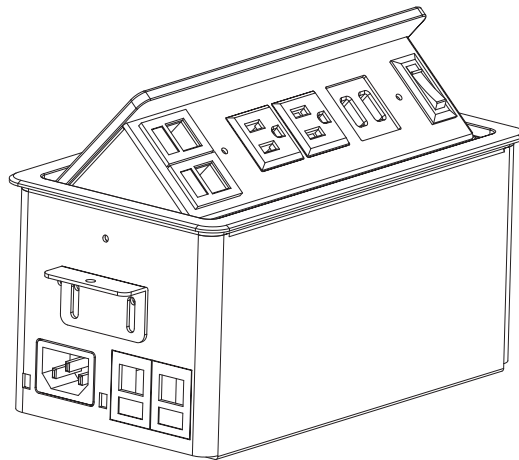
FRIANT power grommets are available to meet different worksurface power and data needs. Choose the color of the power grommet (brushed aluminum, brushed charcoal, or cloud white). Specify power grommets on page 67

3 FINISHES AVAILABLE

Brushed aluminum, brushed charcoal and cloud white



INCLUDES SPRING CORD
(Not shown) For connection to power source



POWER GROMMETS

6x8

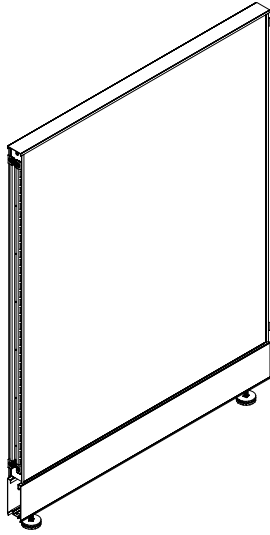
- (2) CAT6 Data Ports
- (4) Power Outlets
- (2) USB Ports

5x8

- (2) CAT6 Data Ports
- (3) Power Outlets
- (2) USB Ports

MONOLITHIC PANELS

Monolithic Hard Surface Panel Non-Electrical



DESCRIPTION

Structural panel with laminate surfaces, painted top caps and trim, leveling glides, and cable management side covers.

NOTES

- Order connectors and finished ends separately
- Add an additional 2 weeks to the standard lead time for laminate panels
- For matching worksurface to hardsurface panel, see page 9

SPECIFICATION OPTIONS

product #: see charts below
finish: see page 10
laminate (side 1): see page 9
laminate (side 2): see page 9

ORDER EXAMPLE

product #: FHHSPA.3924N
finish: DT
laminate (side 1): FB2960 Mochatini
laminate (side 2): FB3400 Aria

39" HIGH

PART #	HEIGHT	WIDTH	DEPTH	WT. (LBS)	LIST
FHHSPA.3924N	39"	24"	2"	26	\$815
FHHSPA.3930N	39"	30"	2"	27	\$971
FHHSPA.3936N	39"	36"	2"	31	\$1,120
FHHSPA.3942N	39"	42"	2"	36	\$1,220
FHHSPA.3948N	39"	48"	2"	39	\$1,256

NOTES

- For matching worksurface to hardsurface panel, see page 9

47" HIGH

PART #	HEIGHT	WIDTH	DEPTH	WT. (LBS)	LIST
FHHSPA.4724N	47"	24"	2"	29	\$864
FHHSPA.4730N	47"	30"	2"	33	\$1,025
FHHSPA.4736N	47"	36"	2"	38	\$1,178
FHHSPA.4742N	47"	42"	2"	41	\$1,244
FHHSPA.4748N	47"	48"	2"	47	\$1,286

NOTES

- For matching worksurface to hardsurface panel, see page 9

53" HIGH

PART #	HEIGHT	WIDTH	DEPTH	WT. (LBS)	LIST
FHHSPA.5324N	53"	24"	2"	32	\$881
FHHSPA.5330N	53"	30"	2"	38	\$1,045
FHHSPA.5336N	53"	36"	2"	41	\$1,207
FHHSPA.5342N	53"	42"	2"	44	\$1,309
FHHSPA.5348N	53"	48"	2"	51	\$1,347

NOTES

- For matching worksurface to hardsurface panel, see page 9

67" HIGH

PART #	HEIGHT	WIDTH	DEPTH	WT. (LBS)	LIST
FHHSPA.6724N	67"	24"	2"	40	\$1,241
FHHSPA.6730N	67"	30"	2"	46	\$1,349
FHHSPA.6736N	67"	36"	2"	51	\$1,562
FHHSPA.6742N	67"	42"	2"	57	\$1,728
FHHSPA.6748N	67"	48"	2"	64	\$1,771

NOTES

- For matching worksurface to hardsurface panel, see page 9

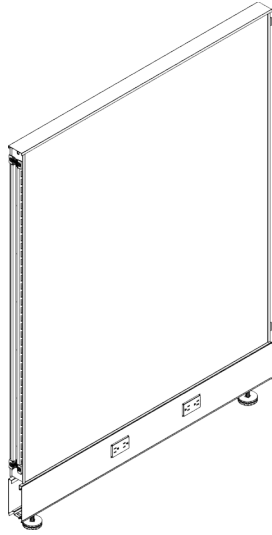
85" HIGH

PART #	HEIGHT	WIDTH	DEPTH	WT. (LBS)	LIST
FHHSPA.8524N	85"	24"	2"	50	\$1,458
FHHSPA.8530N	85"	30"	2"	58	\$1,751
FHHSPA.8536N	85"	36"	2"	65	\$2,032
FHHSPA.8542N	85"	42"	2"	73	\$2,237
FHHSPA.8548N	85"	48"	2"	81	\$2,305

NOTES

- For matching worksurface to hardsurface panel, see page 9

Monolithic Hard Surface Panel Electrical



DESCRIPTION

Structural panel with laminate surfaces, painted top caps and trim, leveling glides, 4-circuit power installed in cable management raceway covers.

NOTES

- 24" wide panels have one receptacle per side
- 30" to 48" wide panels have two receptacle locations per side
- Order receptacles separately
- Includes panel to panel festoon
- Order panel through post festoon separately
- Order connectors and finished ends separately
- Add an additional 2 weeks to the standard lead time for laminate panels
- For matching worksurface to hardsurface panel, see page 9

SPECIFICATION OPTIONS

product #: see charts below
finish: see page 10
laminate (side 1): see page 9
laminate (side 2): see page 9

ORDER EXAMPLE

product #: FHHSPA.3924E
finish: DT
laminate (side 1): FB2960 Mochatini
laminate (side 2): FB3400 Aria

39" HIGH

PART #	HEIGHT	WIDTH	DEPTH	WT. (LBS)	LIST
FHHSPA.3924E	39"	24"	2"	27	\$980
FHHSPA.3930E	39"	30"	2"	29	\$1,165
FHHSPA.3936E	39"	36"	2"	33	\$1,335
FHHSPA.3942E	39"	42"	2"	38	\$1,462
FHHSPA.3948E	39"	48"	2"	42	\$1,524

NOTES

- For matching worksurface to hardsurface panel, see page 9

47" HIGH

PART #	HEIGHT	WIDTH	DEPTH	WT. (LBS)	LIST
FHHSPA.4724E	47"	24"	2"	30	\$1,029
FHHSPA.4730E	47"	30"	2"	35	\$1,220
FHHSPA.4736E	47"	36"	2"	40	\$1,395
FHHSPA.4742E	47"	42"	2"	43	\$1,411
FHHSPA.4748E	47"	48"	2"	50	\$1,427

NOTES

- For matching worksurface to hardsurface panel, see page 9

53" HIGH

PART #	HEIGHT	WIDTH	DEPTH	WT. (LBS)	LIST
FHHSPA.5324E	53"	24"	2"	33	\$1,048
FHHSPA.5330E	53"	30"	2"	40	\$1,238
FHHSPA.5336E	53"	36"	2"	43	\$1,421
FHHSPA.5342E	53"	42"	2"	47	\$1,550
FHHSPA.5348E	53"	48"	2"	53	\$1,615

NOTES

- For matching worksurface to hardsurface panel, see page 9

67" HIGH

PART #	HEIGHT	WIDTH	DEPTH	WT. (LBS)	LIST
FHHSPA.6724E	67"	24"	2"	41	\$1,330
FHHSPA.6730E	67"	30"	2"	47	\$1,545
FHHSPA.6736E	67"	36"	2"	53	\$1,777
FHHSPA.6742E	67"	42"	2"	59	\$1,970
FHHSPA.6748E	67"	48"	2"	67	\$2,040

NOTES

- For matching worksurface to hardsurface panel, see page 9

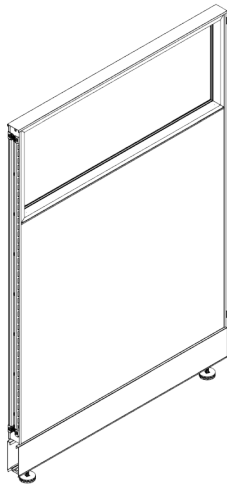
85" HIGH

PART #	HEIGHT	WIDTH	DEPTH	WT. (LBS)	LIST
FHHSPA.8524E	85"	24"	2"	50	\$1,625
FHHSPA.8530E	85"	30"	2"	59	\$1,947
FHHSPA.8536E	85"	36"	2"	67	\$2,247
FHHSPA.8542E	85"	42"	2"	75	\$2,479
FHHSPA.8548E	85"	48"	2"	84	\$2,571

NOTES

- For matching worksurface to hardsurface panel, see page 9

Monolithic Hard Surface Partial-Glazed Panel Non-Electrical



DESCRIPTION

Structural panel with laminate lower surfaces and 14" high tempered glass top section, painted top caps and trim, leveling glides, and cable management side covers.

NOTES

- Order connectors and finished ends separately
- Add an additional 2 weeks to the standard lead time for laminate panels
- Cannot be used as dry erase surface
- For matching worksurface to hardsurface panel, see page 9

SPECIFICATION OPTIONS

product #: see charts below
finish: see page 10
panel glazing: TR Clear, FR Frosted
laminate (side 1): see page 9
laminate (side 2): see page 9

ORDER EXAMPLE

product #: FHPGHSPA.5324N
finish: DT
panel glazing: TR Clear
laminate (side 1): FB2960 Mochatini
laminate (side 2): FB3400 Aria

53" HIGH

PART #	HEIGHT	WIDTH	DEPTH	WT. (LBS)	LIST
FHPGHSPA.5324N	53"	24"	2"	32	\$1,244
FHPGHSPA.5330N	53"	30"	2"	38	\$1,408
FHPGHSPA.5336N	53"	36"	2"	41	\$1,570
FHPGHSPA.5342N	53"	42"	2"	44	\$1,672
FHPGHSPA.5348N	53"	48"	2"	51	\$1,710

NOTES

- For matching worksurface to hardsurface panel, see page 9

67" HIGH

PART #	HEIGHT	WIDTH	DEPTH	WT. (LBS)	LIST
FHPGHSPA.6724N	67"	24"	2"	40	\$1,527
FHPGHSPA.6730N	67"	30"	2"	46	\$1,713
FHPGHSPA.6736N	67"	36"	2"	51	\$1,925
FHPGHSPA.6742N	67"	42"	2"	57	\$2,092
FHPGHSPA.6748N	67"	48"	2"	64	\$2,136

NOTES

- For matching worksurface to hardsurface panel, see page 9

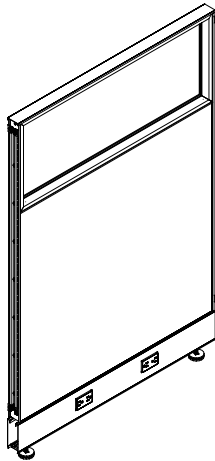
85" HIGH

PART #	HEIGHT	WIDTH	DEPTH	WT. (LBS)	LIST
FHPGHSPA.8524N	85"	24"	2"	50	\$1,821
FHPGHSPA.8530N	85"	30"	2"	58	\$2,114
FHPGHSPA.8536N	85"	36"	2"	65	\$2,395
FHPGHSPA.8542N	85"	42"	2"	73	\$2,601
FHPGHSPA.8548N	85"	48"	2"	81	\$2,669

NOTES

- For matching worksurface to hardsurface panel, see page 9

Monolithic Hard Surface Partial-Glazed Panel Electrical



DESCRIPTION

Structural panel with laminate lower surfaces and 14" high tempered glass top section, painted top caps and trim, leveling glides, 4-circuit power installed in cable management raceway covers.

NOTES

- 24" wide panels have one receptacle per side
- 30" to 48" wide panels have two receptacle locations per side
- Order receptacles separately
- Includes panel to panel festoon
- Order panel through post festoon separately
- Order connectors and finished ends separately
- Add an additional 2 weeks to the standard lead time for laminate panels
- Cannot be used as dry erase surface
- For matching worksurface to hardsurface panel, see page 9

SPECIFICATION OPTIONS

product #: see charts below
finish: see page 10
panel glazing: TR Clear, FR Frosted (XLT option)
laminate (side 1): see page 9
laminate (side 2): see page 9

ORDER EXAMPLE

product #: FHPGHSPA.3924E
finish: DT
panel glazing: FR Frosted
laminate (side 1): FB2960 Mochatini
laminate (side 2): FB3400 Aria

53" HIGH

PART #	HEIGHT	WIDTH	DEPTH	WT. (LBS)	LIST
FHPGHSPA.5324E	53"	24"	2"	33	\$1,412
FHPGHSPA.5330E	53"	30"	2"	40	\$1,601
FHPGHSPA.5336E	53"	36"	2"	43	\$1,784
FHPGHSPA.5342E	53"	42"	2"	47	\$1,913
FHPGHSPA.5348E	53"	48"	2"	53	\$1,978

NOTES

- For matching worksurface to hardsurface panel, see page 9

67" HIGH

PART #	HEIGHT	WIDTH	DEPTH	WT. (LBS)	LIST
FHPGHSPA.6724E	67"	24"	2"	41	\$1,695
FHPGHSPA.6730E	67"	30"	2"	47	\$1,909
FHPGHSPA.6736E	67"	36"	2"	53	\$2,140
FHPGHSPA.6742E	67"	42"	2"	59	\$2,333
FHPGHSPA.6748E	67"	48"	2"	67	\$2,403

NOTES

- For matching worksurface to hardsurface panel, see page 9

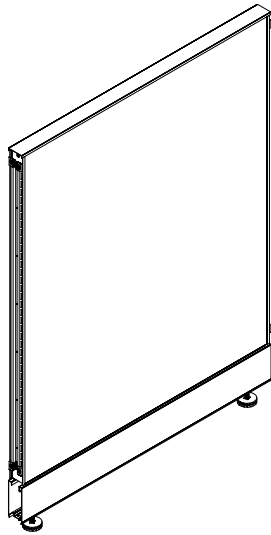
85" HIGH

PART #	HEIGHT	WIDTH	DEPTH	WT. (LBS)	LIST
FHPGHSPA.8524E	85"	24"	2"	50	\$1,989
FHPGHSPA.8530E	85"	30"	2"	59	\$2,310
FHPGHSPA.8536E	85"	36"	2"	67	\$2,610
FHPGHSPA.8542E	85"	42"	2"	75	\$2,842
FHPGHSPA.8548E	85"	48"	2"	84	\$2,934

NOTES

- For matching worksurface to hardsurface panel, see page 9

Monolithic Fabric-Covered Panel Non-Electrical



DESCRIPTION

Structural panel with fabric surfaces, painted top caps and trim, leveling glides, and cable management side covers.

NOTES

- Order connectors and finished ends separately
- Standard fabric application for panels 67" and below is Non-Directional application.
- Panels taller than 67" are only available in Directional application.
- When ordering panels 67" and below to match a panel taller than 67", specify Group 5 for Directional application.
- See page 8 for more details.

SPECIFICATION OPTIONS

product #: see charts below
finish: see page 10
fabric (side 1): see page 6
fabric (side 2): see page 6

ORDER EXAMPLE

product #: FHFAPA.3924N
finish: DT
fabric (side 1): Silky/Natural PF401-1
fabric (side 2): Silky/Natural PF401-1

39" HIGH

PART #	HEIGHT	WIDTH	DEPTH	WT. (LBS)	LIST	GROUP 5 UPCHARGE
FHFAPA.3924N	39"	24"	2"	26	\$435	\$44
FHFAPA.3930N	39"	30"	2"	27	\$473	\$48
FHFAPA.3936N	39"	36"	2"	31	\$530	\$52
FHFAPA.3942N	39"	42"	2"	36	\$557	\$56
FHFAPA.3948N	39"	48"	2"	39	\$582	\$58

47" HIGH

PART #	HEIGHT	WIDTH	DEPTH	WT. (LBS)	LIST	GROUP 5 UPCHARGE
FHFAPA.4724N	47"	24"	2"	29	\$458	\$46
FHFAPA.4730N	47"	30"	2"	33	\$508	\$50
FHFAPA.4736N	47"	36"	2"	38	\$577	\$58
FHFAPA.4742N	47"	42"	2"	41	\$635	\$64
FHFAPA.4748N	47"	48"	2"	47	\$654	\$66

53" HIGH

PART #	HEIGHT	WIDTH	DEPTH	WT. (LBS)	LIST	GROUP 5 UPCHARGE
FHFAPA.5324N	53"	24"	2"	32	\$467	\$46
FHFAPA.5330N	53"	30"	2"	38	\$526	\$52
FHFAPA.5336N	53"	36"	2"	41	\$610	\$62
FHFAPA.5342N	53"	42"	2"	44	\$656	\$66
FHFAPA.5348N	53"	48"	2"	51	\$697	\$70

67" HIGH

PART #	HEIGHT	WIDTH	DEPTH	WT. (LBS)	LIST	GROUP 5 UPCHARGE
FHFAPA.6724N	67"	24"	2"	40	\$538	\$54
FHFAPA.6730N	67"	30"	2"	46	\$600	\$62
FHFAPA.6736N	67"	36"	2"	51	\$688	\$70
FHFAPA.6742N	67"	42"	2"	57	\$733	\$74
FHFAPA.6748N	67"	48"	2"	64	\$778	\$78

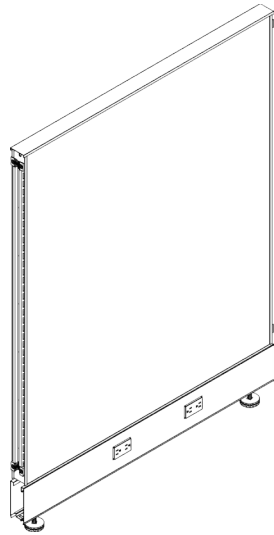
85" HIGH

PART #	HEIGHT	WIDTH	DEPTH	WT. (LBS)	LIST
FHFAPA.8524N	85"	24"	2"	50	\$629
FHFAPA.8530N	85"	30"	2"	58	\$696
FHFAPA.8536N	85"	36"	2"	65	\$800
FHFAPA.8542N	85"	42"	2"	73	\$847
FHFAPA.8548N	85"	48"	2"	81	\$899

NOTES

- Default fabric application for panels 67" and below is Non-Directional application.
- 85" H panels are only available in Directional application.
- When ordering panels 67" and below to match a 85" H panel, specify Group 5 for Directional application.
- See Material Reference Guide for additional details

Monolithic Fabric-Covered Panel Electrical



DESCRIPTION

Structural panel with fabric surfaces, painted top caps and trim, leveling glides, 4-circuit power installed in cable management raceway covers.

NOTES

- 24" wide panels have one receptacle per side
- 30" to 48" wide panels have two receptacle locations per side
- Order receptacles separately
- Includes panel to panel festoon
- Order panel through post festoon separately
- Order connectors and finished ends separately
- Standard fabric application for panels 67" and below is Non-Directional application.
- Panels taller than 67" are only available in Directional application.
- When ordering panels 67" and below to match a panel taller than 67", specify Group 5 for Directional application.
- See page 8 for more details.

SPECIFICATION OPTIONS

product #: see charts below
finish: see page 10
fabric (side 1): see page 6
fabric (side 2): see page 6

ORDER EXAMPLE

product #: FHFAPA.3924E
finish: DT
fabric (side 1): Silky/Natural PF401-1
fabric (side 2): Silky/Natural PF401-1

39" HIGH

PART #	HEIGHT	WIDTH	DEPTH	WT. (LBS)	LIST	GROUP 5 UPCHARGE
FHFAPA.3924E	39"	24"	2"	27	\$596	\$62
FHFAPA.3930E	39"	30"	2"	29	\$633	\$64
FHFAPA.3936E	39"	36"	2"	33	\$690	\$70
FHFAPA.3942E	39"	42"	2"	38	\$718	\$72
FHFAPA.3948E	39"	48"	2"	42	\$743	\$76

47" HIGH

PART #	HEIGHT	WIDTH	DEPTH	WT. (LBS)	LIST	GROUP 5 UPCHARGE
FHFAPA.4724E	47"	24"	2"	30	\$620	\$64
FHFAPA.4730E	47"	30"	2"	35	\$669	\$68
FHFAPA.4736E	47"	36"	2"	40	\$737	\$74
FHFAPA.4742E	47"	42"	2"	43	\$797	\$80
FHFAPA.4748E	47"	48"	2"	50	\$815	\$82

53" HIGH

PART #	HEIGHT	WIDTH	DEPTH	WT. (LBS)	LIST	GROUP 5 UPCHARGE
FHFAPA.5324E	53"	24"	2"	33	\$628	\$64
FHFAPA.5330E	53"	30"	2"	40	\$687	\$70
FHFAPA.5336E	53"	36"	2"	43	\$771	\$78
FHFAPA.5342E	53"	42"	2"	47	\$817	\$82
FHFAPA.5348E	53"	48"	2"	53	\$859	\$86

67" HIGH

PART #	HEIGHT	WIDTH	DEPTH	WT. (LBS)	LIST	GROUP 5 UPCHARGE
FHFAPA.6724E	67"	24"	2"	41	\$699	\$70
FHFAPA.6730E	67"	30"	2"	47	\$761	\$76
FHFAPA.6736E	67"	36"	2"	53	\$850	\$86
FHFAPA.6742E	67"	42"	2"	59	\$894	\$90
FHFAPA.6748E	67"	48"	2"	67	\$939	\$94

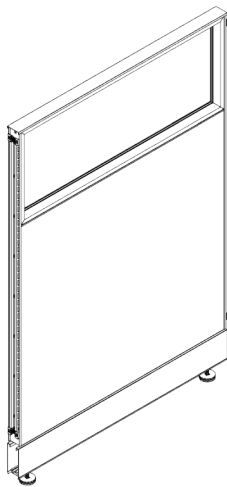
85" HIGH

PART #	HEIGHT	WIDTH	DEPTH	WT. (LBS)	LIST
FHFAPA.8524E	85"	24"	2"	50	\$791
FHFAPA.8530E	85"	30"	2"	59	\$858
FHFAPA.8536E	85"	36"	2"	67	\$960
FHFAPA.8542E	85"	42"	2"	75	\$1,008
FHFAPA.8548E	85"	48"	2"	84	\$1,060

NOTES

- Default fabric application for panels 67" and below is Non-Directional application.
- 85" H panels are only available in Directional application.
- When ordering panels 67" and below to match a 85" H panel, specify Group 5 for Directional application.
- See Material Reference Guide for additional details

Monolithic Partial Glazed Panel Non-Electrical



DESCRIPTION

Structural panel with fabric covered lower surfaces and 14" high tempered glass top section, painted top cap and cable management side covers.

NOTES

- Order connectors and finished ends separately.
- Cannot be used as dry erase surface.
- Standard fabric application for panels 67" and below is Non-Directional application.
- Panels taller than 67" are only available in Directional application.
- When ordering panels 67" and below to match a panel taller than 67", specify Group 5 for Directional application.
- See page 8 for more details.

SPECIFICATION OPTIONS

product #: see charts below
finish: see page 10
panel glazing: TR Clear, FR Frosted (XLT option)
fabric (side 1): see page 6
fabric (side 2): see page 6

ORDER EXAMPLE

product #: FHPGPA.5324N
finish: DT
panel glazing: TR Clear
fabric (side 1): Silky/Natural PF401-1
fabric (side 2): Silky/Natural PF401-1

53" HIGH

PART #	HEIGHT	WIDTH	DEPTH	WT. (LBS)	LIST	GROUP 5 UPCHARGE
FHPGPA.5324N	53"	24"	2"	37	\$697	\$70
FHPGPA.5330N	53"	30"	2"	41	\$756	\$76
FHPGPA.5336N	53"	36"	2"	47	\$906	\$90
FHPGPA.5342N	53"	42"	2"	54	\$951	\$94
FHPGPA.5348N	53"	48"	2"	61	\$1,039	\$106

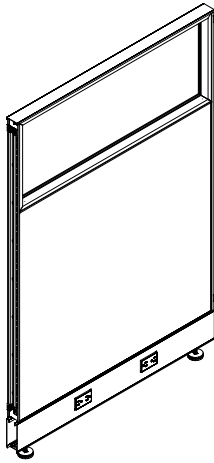
67" HIGH

PART #	HEIGHT	WIDTH	DEPTH	WT. (LBS)	LIST	GROUP 5 UPCHARGE
FHPGPA.6724N	67"	24"	2"	42	\$766	\$78
FHPGPA.6730N	67"	30"	2"	50	\$828	\$84
FHPGPA.6736N	67"	36"	2"	56	\$984	\$98
FHPGPA.6742N	67"	42"	2"	62	\$1,027	\$104
FHPGPA.6748N	67"	48"	2"	71	\$1,120	\$112

85" HIGH

PART #	HEIGHT	WIDTH	DEPTH	WT. (LBS)	LIST	NOTES
FHPGPA.8524N	85"	24"	2"	49	\$859	<ul style="list-style-type: none"> • Default fabric application for panels 67" and below is Non-Directional application. • 85" H panels are only available in Directional application. • When ordering panels 67" and below to match a 85" H panel, specify Group 5 for Directional application. • See Material Reference Guide for additional details
FHPGPA.8530N	85"	30"	2"	57	\$925	
FHPGPA.8536N	85"	36"	2"	65	\$1,095	
FHPGPA.8542N	85"	42"	2"	73	\$1,143	
FHPGPA.8548N	85"	48"	2"	83	\$1,239	

Monolithic Partial Glazed Panel Electrical



DESCRIPTION

Structural panel with fabric covered lower surfaces and 14" high tempered glass top section, painted top cap and leveling glides, 4-circuit power installed in cable management raceway covers.

NOTES

- 24" wide panels have one receptacle per side.
- 30" to 48" wide panels have two receptacle locations per side.
- Includes panel to panel festoon.
- Order connectors and finished ends separately.
- Order panel through post festoon separately.
- Cannot be used as dry erase surface
- Standard fabric application for panels 67" and below is Non-Directional application.
- Panels taller than 67" are only available in Directional application.
- When ordering panels 67" and below to match a panel taller than 67", specify Group 5 for Directional application.
- See page 8 for more details.

SPECIFICATION OPTIONS

product #: see charts below
finish: see page 10
panel glazing: TR Clear, FR Frosted (XLT option)
fabric (side 1): see page 9
fabric (side 2): see page 9

ORDER EXAMPLE

product #: FHPGPA.5324E
finish: DT
panel glazing: TR Clear
fabric (side 1): Silky/Natural PF401-1
fabric (side 2): Silky/Natural PF401-1

53" HIGH

PART #	HEIGHT	WIDTH	DEPTH	WT. (LBS)	LIST	GROUP 5 UPCHARGE
FHPGPA.5324E	53"	24"	2"	38	\$859	\$86
FHPGPA.5330E	53"	30"	2"	42	\$917	\$92
FHPGPA.5336E	53"	36"	2"	49	\$1,066	\$108
FHPGPA.5342E	53"	42"	2"	56	\$1,112	\$112
FHPGPA.5348E	53"	48"	2"	63	\$1,199	\$120

67" HIGH

PART #	HEIGHT	WIDTH	DEPTH	WT. (LBS)	LIST	GROUP 5 UPCHARGE
FHPGPA.6724E	67"	24"	2"	43	\$929	\$92
FHPGPA.6730E	67"	30"	2"	52	\$991	\$98
FHPGPA.6736E	67"	36"	2"	57	\$1,145	\$116
FHPGPA.6742E	67"	42"	2"	64	\$1,188	\$120
FHPGPA.6748E	67"	48"	2"	74	\$1,281	\$128

85" HIGH

PART #	HEIGHT	WIDTH	DEPTH	WT. (LBS)	LIST	NOTES
FHPGPA.8524E	85"	24"	2"	50	\$1,021	<ul style="list-style-type: none"> • Default fabric application for panels 67" and below is Non-Directional application. • 85" H panels are only available in Directional application. • When ordering panels 67" and below to match a 85" H panel, specify Group 5 for Directional application. • See Material Reference Guide for additional details
FHPGPA.8530E	85"	30"	2"	58	\$1,086	
FHPGPA.8536E	85"	36"	2"	67	\$1,256	
FHPGPA.8542E	85"	42"	2"	75	\$1,304	
FHPGPA.8548E	85"	48"	2"	85	\$1,401	

SEGMENTED PANELS

Specification Guide: Design 1 & 2 Segmented Panel Kit

Both Design 1 and Design 2 panels require a **segmented panel kit**, the structure on which segments are added. Available electrical or non-electrical in these heights: 39", 47", 53", 67" and 85".

NON-ELECTRICAL

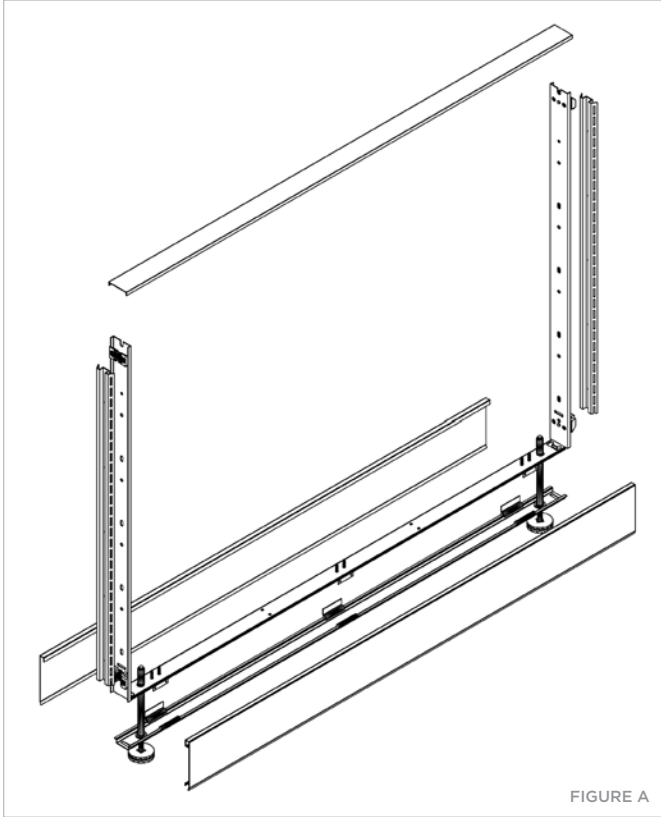


FIGURE A

ELECTRICAL

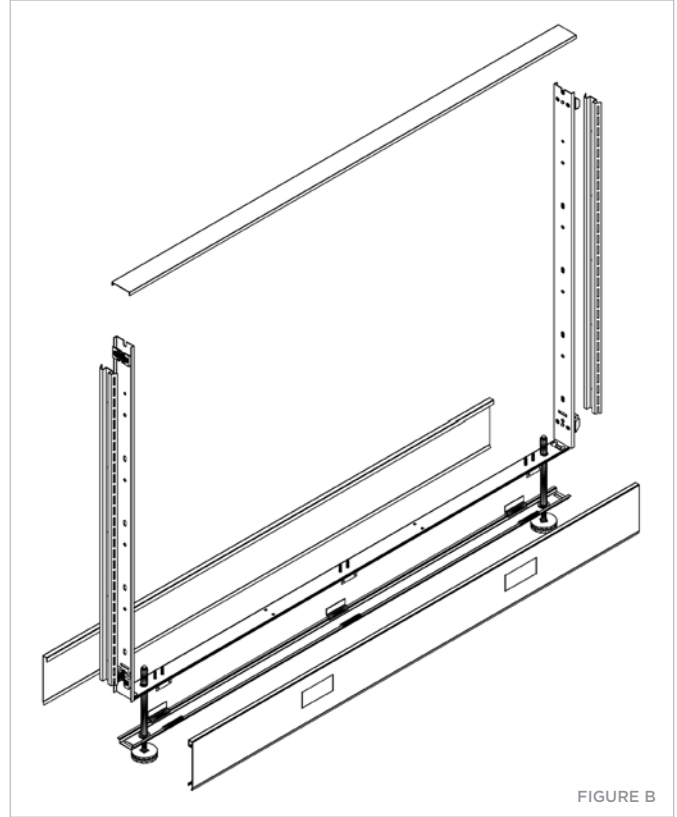


FIGURE B

NON-ELECTRICAL KIT INCLUDES

- Top cap
- Base kit
- Base covers
- Side rails
- Hanger rails

ELECTRICAL KIT INCLUDES

- Top cap
- Base kit
- Base covers
- Side rails
- Hanger rails
- Power retro
- Panel-to-panel festoon

NOTES

- Panel through post festoon and 90° angle festoon must be ordered separately.
- 24" wide panel kits have one duplex cutout per side.
- 30" to 48" panel kits have two duplex cutouts per side.

Specification Guide: Design 1 & 2 Segments

Both Design 1 and Design 2 panels require a **base segment**, at the bottom of the panel kit, and **additional segments** to complete the panel. All segments finish both sides of the panel.

BASE SEGMENTS

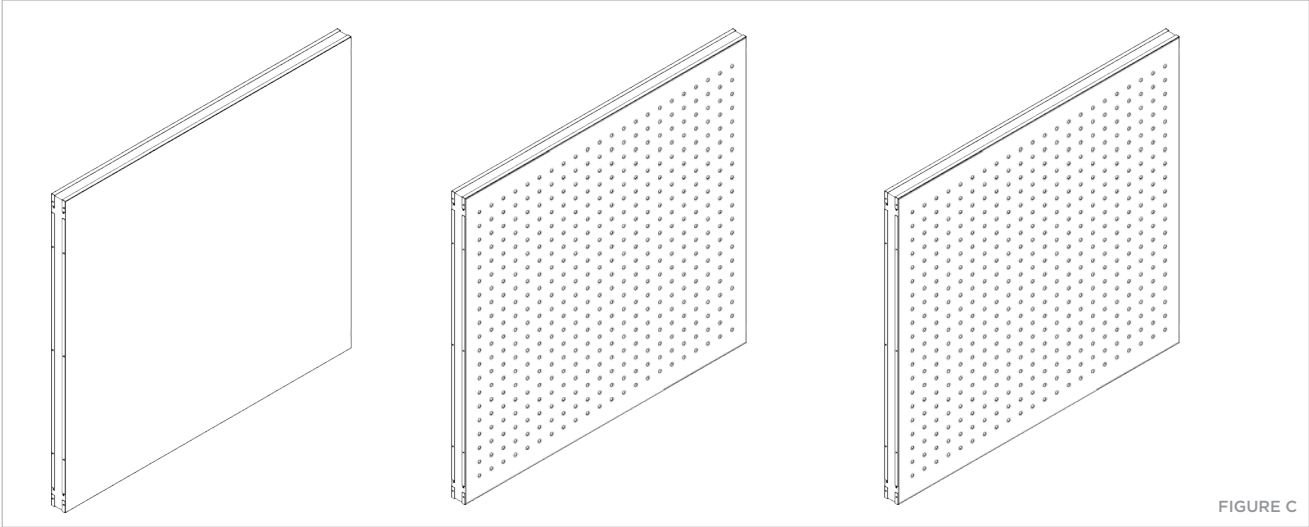


FIGURE C

Fabric/Fabric

Fabric on both sides.
Available for Design 1 or 2.

Perforated Metal/Fabric

Painted perforated metal on one side and fabric on other side.
Available for Design 1 only.

Perforated Metal/Perforated Metal

Painted perforated metal on both sides.
Available for Design 1 only.

ADDITIONAL SEGMENTS

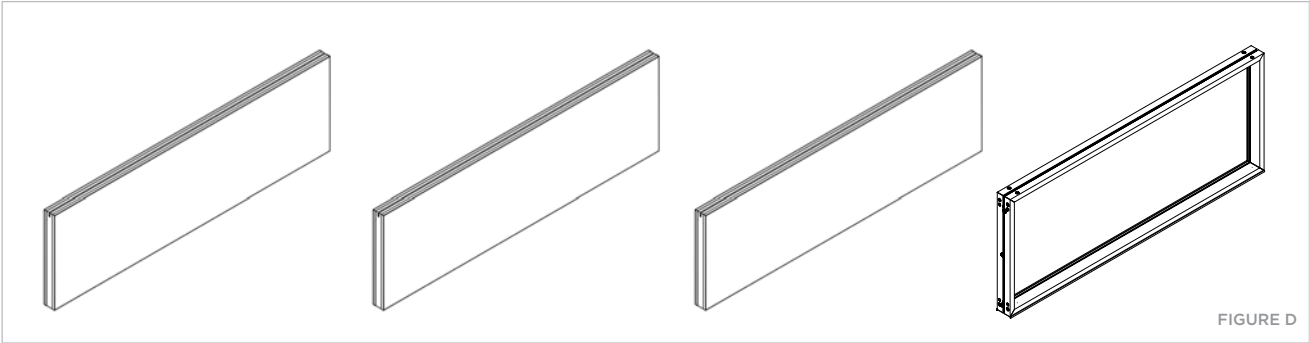


FIGURE D

Fabric/Fabric

Fabric on both sides.
Available for Design 1 or 2.

Markerboard/Fabric

Markerboard on one side, and fabric on other side.
Available for Design 1 or 2.

Markerboard/Markerboard

Markerboard both sides.
Available for Design 1 or 2.

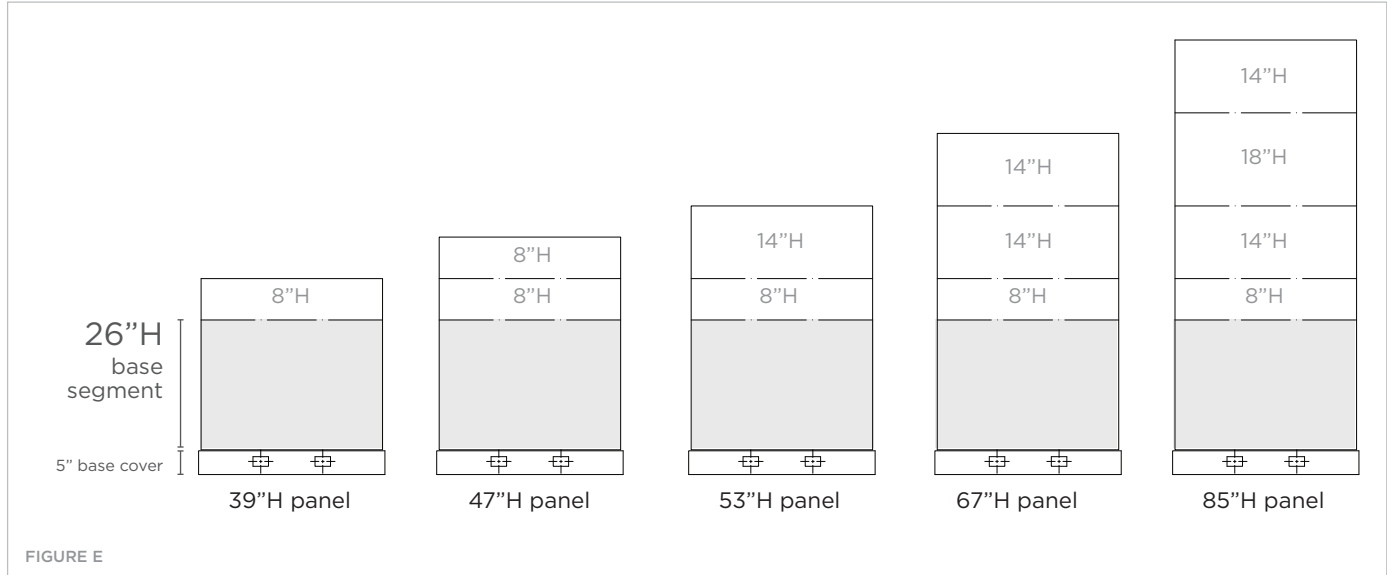
Glazed

Glass both sides, available clear or frosted.
Available for Design 1 or 2.

Specification Guide: Design 1 Segmented Panels

Design 1 panels have **26”H base segments**, allowing for an additional segment per panel compared to Design 2.

DESIGN 1 ELEVATIONS



DESIGN 1 BASE SEGMENT FINISH OPTIONS

Base segments for Design 1 panels are 26”H fabric/fabric, perforated metal/fabric or perforated metal/perforated metal.

26” high base segments

fabric/fabric

perforated metal/fabric

perforated metal/perforated metal

DESIGN 1 ADDITIONAL SEGMENTS

Please refer to the diagram above (Figure E) for segment size combinations per panel height. Additional segments are available in the finishes and sizes below:

8” high	14” high	18” high
fabric/fabric	fabric/fabric	fabric/fabric
	markerboard/fabric	
	markerboard/markerboard	
	glazed	

HOW TO SPECIFY A DESIGN 1 PANEL

- Order a Design 1 Segmented Panel Kit.** Choose an electrical or non-electrical kit, then choose the panel size.

Note: All segments finish both sides of the panel. Specify the finish for each side.

- Order a Design 1 Base Segment.** Choose fabric/fabric, perforated metal/fabric, or perforated metal/perforated metal.
- Order additional segments.** Choose segments to complete the panel at the correct size per the diagram above (Figure E).

Specification Guide: Design 2 Segmented Panels

Design 2 panels have **34”H base segments**, with one less additional segment per panel compared to Design 1.

DESIGN 2 ELEVATIONS

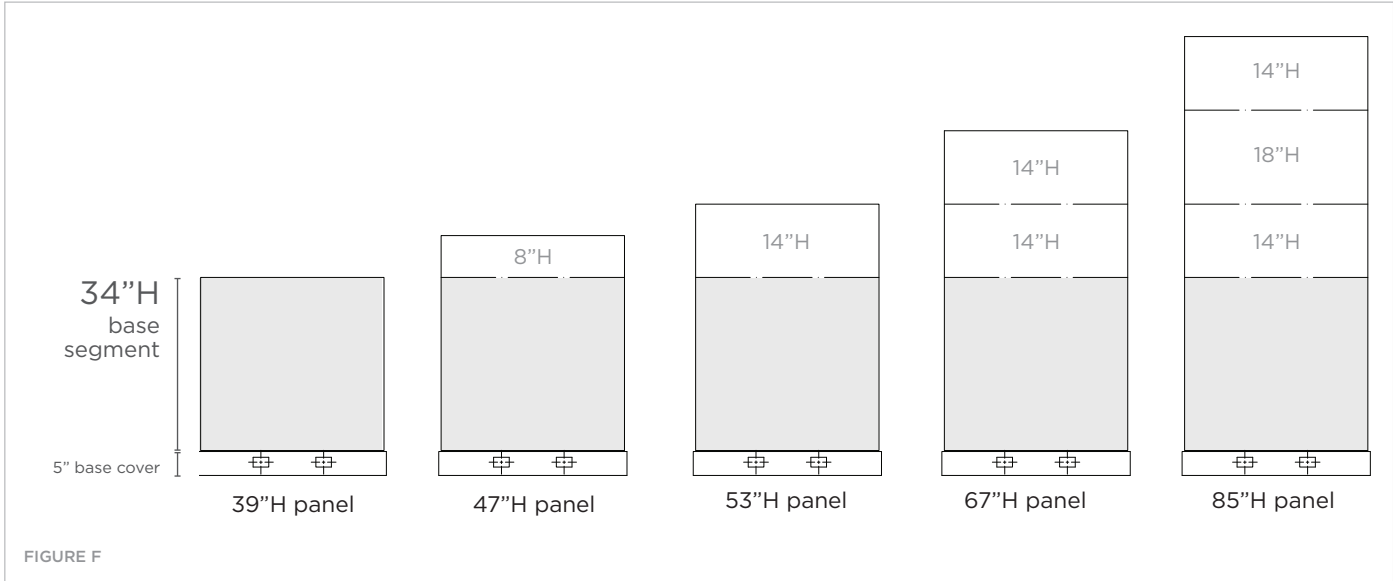


FIGURE F

DESIGN 2 BASE SEGMENT FINISH OPTION

Base segments for Design 2 panels are 34”H fabric covered.

34” high base segments
fabric/fabric

DESIGN 2 ADDITIONAL SEGMENTS

Please refer to the diagram above (Figure F) for segment size combinations per panel height. Additional segments are available in the finishes and sizes below:

8" high	14" high	18" high
fabric/fabric	fabric/fabric	fabric/fabric
	markerboard/fabric	
	markerboard/markerboard	
	glazed	

HOW TO SPECIFY A DESIGN 2 PANEL

- Order a Design 2 Segmented Panel Kit.** Choose an electrical or non-electrical kit, then choose the panel size.
Note: All segments finish both sides of the panel. Specify the finish for each side.
- Order a Design 2 Base Segment.** All Design 2 base segments are fabric/fabric.
- Order additional segments.** Choose segments to complete the panel at the correct size per the diagram above (Figure F).

Design 1 Segmented Panel

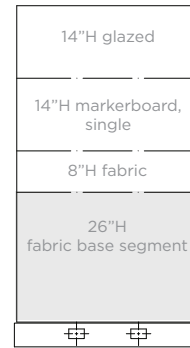
How to Order & Specify

- Select a panel kit size.** Electrical or Non-Electrical, both with metal base cover.
- Select a base segment.** Add price of one base segment to panel kit price.
- Select additional segments.** Complete the panel with segments (reference diagram on page 46). Add prices to the total.

NOTE: All segments finish both sides of the panel. Specify the finish for each side.
- Calculate total.** Add prices of all selections for total cost of panel.
- Specify finishes.** Select fabrics and finishes as appropriate; reference opposite page.

Order Example

- Select a panel kit size.**
67"H x 24"W non-electrical panel kit for \$184.
- Select a base segment.**
26"H fabric covered base segment for \$100.
- Select additional segments.**
8"H fabric/fabric segment for \$62
14"H markerboard/fabric segment for \$175
14"H glazed segment for \$274
- Calculate total.**
panel kit (\$213 kit)
+ \$100 base segment
+ additional segments (\$62 + \$175 + \$274)
= \$824 total
- Specify finishes.**
base segment: side 1 PF601-1, side 2 PF601-1
8"H fabric/fabric: side 1 PF601-5, side 2 PF601-6
14"H markerboard/fabric: side 1 markerboard, side 2 PF601-1
14"H glazed: side 1 TR clear, side 2 TR clear



67"H x 24"W non-electrical panel kit with metal base cover

NON-ELECTRICAL

(1) PANEL KIT Specify size of panel frame				(2) BASE SEGMENT Specify one base segment			(3) ADDITIONAL SEGMENT Specify as many segments as needed to complete panel					
HEIGHT	WIDTH	MODEL #	LIST	* 26"H FABRIC, FABRIC	* 26"H PERF. METAL, FABRIC	26"H PERF. METAL, PERF. METAL	* 8"H FABRIC, FABRIC	* 14"H FABRIC, FABRIC	* 14"H MARKER, FABRIC	14"H MARKER, MARKER	14"H GLAZED	*18"H FABRIC, FABRIC
39"	24"	FHPK.3924N-D1	\$219	+ \$105	+ \$140	+ \$177	+ \$65	X	X	X	X	X
	30"	FHPK.3930N-D1	\$238	+ \$125	+ \$169	+ \$217	+ \$75	X	X	X	X	X
	36"	FHPK.3936N-D1	\$253	+ \$169	+ \$191	+ \$258	+ \$77	X	X	X	X	X
	42"	FHPK.3942N-D1	\$275	+ \$187	+ \$220	+ \$296	+ \$85	X	X	X	X	X
	48"	FHPK.3948N-D1	\$292	+ \$187	+ \$255	+ \$334	+ \$98	X	X	X	X	X
47"	24"	FHPK.4724N-D1	\$233	+ \$105	+ \$140	+ \$177	+ \$65	X	X	X	X	X
	30"	FHPK.4730N-D1	\$252	+ \$125	+ \$169	+ \$217	+ \$75	X	X	X	X	X
	36"	FHPK.4736N-D1	\$268	+ \$169	+ \$191	+ \$258	+ \$77	X	X	X	X	X
	42"	FHPK.4742N-D1	\$288	+ \$187	+ \$220	+ \$296	+ \$85	X	X	X	X	X
	48"	FHPK.4748N-D1	\$305	+ \$187	+ \$255	+ \$334	+ \$98	X	X	X	X	X
53"	24"	FHPK.5324N-D1	\$245	+ \$105	+ \$140	+ \$177	+ \$65	+ \$79	+ \$184	+ \$161	+ \$288	X
	30"	FHPK.5330N-D1	\$265	+ \$125	+ \$169	+ \$217	+ \$75	+ \$85	+ \$213	+ \$185	+ \$339	X
	36"	FHPK.5336N-D1	\$281	+ \$169	+ \$191	+ \$258	+ \$77	+ \$97	+ \$253	+ \$221	+ \$390	X
	42"	FHPK.5342N-D1	\$302	+ \$187	+ \$220	+ \$296	+ \$85	+ \$112	+ \$266	+ \$230	+ \$442	X
	48"	FHPK.5348N-D1	\$318	+ \$187	+ \$255	+ \$334	+ \$98	+ \$123	+ \$299	+ \$259	+ \$493	X
67"	24"	FHPK.6724N-D1	\$270	+ \$105	+ \$140	+ \$177	+ \$65	+ \$79	+ \$184	+ \$161	+ \$288	X
	30"	FHPK.6730N-D1	\$289	+ \$125	+ \$169	+ \$217	+ \$75	+ \$85	+ \$213	+ \$185	+ \$339	X
	36"	FHPK.6736N-D1	\$305	+ \$169	+ \$191	+ \$258	+ \$77	+ \$97	+ \$253	+ \$221	+ \$390	X
	42"	FHPK.6742N-D1	\$326	+ \$187	+ \$220	+ \$296	+ \$85	+ \$112	+ \$266	+ \$230	+ \$442	X
	48"	FHPK.6748N-D1	\$343	+ \$187	+ \$255	+ \$334	+ \$98	+ \$123	+ \$299	+ \$259	+ \$493	X
85"	24"	FHPK.8524N-D1	\$306	+ \$105	+ \$140	+ \$177	+ \$65	+ \$79	+ \$184	+ \$161	+ \$288	+ \$87
	30"	FHPK.8530N-D1	\$326	+ \$125	+ \$169	+ \$217	+ \$75	+ \$85	+ \$213	+ \$185	+ \$339	+ \$96
	36"	FHPK.8536N-D1	\$342	+ \$169	+ \$191	+ \$258	+ \$77	+ \$97	+ \$253	+ \$221	+ \$390	+ \$134
	42"	FHPK.8542N-D1	\$363	+ \$187	+ \$220	+ \$296	+ \$85	+ \$112	+ \$266	+ \$230	+ \$442	+ \$143
	48"	FHPK.8548N-D1	\$379	+ \$187	+ \$255	+ \$334	+ \$98	+ \$123	+ \$299	+ \$259	+ \$493	+ \$148



* For Group 5 pricing see next page

Design 1 Segmented Panel

NON-ELECTRICAL

(1) PANEL KIT				(2) BASE SEGMENT		(3) ADDITIONAL SEGMENT			
HEIGHT	WIDTH	MODEL #	LIST	* 26"H FABRIC, FABRIC* GROUP 5 COST	* 26"H PERF. METAL, FABRIC, GROUP 5 COST	* 8"H FABRIC, FABRIC GROUP 5 COST	* 14"H FABRIC, FABRIC GROUP 5 COST	* 14"H MARKER, FABRIC GROUP 5 COST	* 18"H FABRIC, FABRIC GROUP 5 COST
39"	24"	FHPK.3924N-D1	\$219	+\$133	+\$155	\$80	X	X	X
	30"	FHPK.3930N-D1	\$238	+\$153	+\$184	\$117	X	X	X
	36"	FHPK.3936N-D1	\$253	+\$197	+\$206	\$92	X	X	X
	42"	FHPK.3942N-D1	\$275	+\$215	+\$235	\$104	X	X	X
	48"	FHPK.3948N-D1	\$292	+\$215	+\$270	\$107	X	X	X
47"	24"	FHPK.4724N-D1	\$233	+\$133	+\$155	\$80	X	X	X
	30"	FHPK.4730N-D1	\$252	+\$153	+\$184	\$90	X	X	X
	36"	FHPK.4736N-D1	\$268	+\$197	+\$206	\$92	X	X	X
	42"	FHPK.4742N-D1	\$288	+\$215	+\$235	\$100	X	X	X
	48"	FHPK.4748N-D1	\$305	+\$215	+\$270	\$113	X	X	X
53"	24"	FHPK.5324N-D1	\$245	+\$133	+\$155	\$80	+\$98	+\$193	X
	30"	FHPK.5330N-D1	\$265	+\$153	+\$184	\$90	+\$104	+\$222	X
	36"	FHPK.5336N-D1	\$281	+\$197	+\$206	\$92	+\$116	+\$262	X
	42"	FHPK.5342N-D1	\$302	+\$215	+\$235	\$100	+\$131	+\$275	X
	48"	FHPK.5348N-D1	\$318	+\$215	+\$270	\$113	+\$142	+\$308	X
67"	24"	FHPK.6724N-D1	\$270	+\$133	+\$155	\$80	+\$98	+\$193	X
	30"	FHPK.6730N-D1	\$289	+\$153	+\$184	\$90	+\$104	+\$222	X
	36"	FHPK.6736N-D1	\$305	+\$197	+\$206	\$92	+\$116	+\$262	X
	42"	FHPK.6742N-D1	\$326	+\$215	+\$235	\$100	+\$131	+\$275	X
	48"	FHPK.6748N-D1	\$343	+\$215	+\$270	\$113	+\$142	+\$308	X
85"	24"	FHPK.8524N-D1	\$306	+\$133	+\$155	\$80	+\$98	+\$193	+\$109
	30"	FHPK.8530N-D1	\$326	+\$153	+\$184	\$90	+\$104	+\$222	+\$118
	36"	FHPK.8536N-D1	\$342	+\$197	+\$206	\$92	+\$116	+\$262	+\$156
	42"	FHPK.8542N-D1	\$363	+\$215	+\$235	\$100	+\$131	+\$275	+\$165
	48"	FHPK.8548N-D1	\$379	+\$215	+\$270	\$113	+\$142	+\$308	+\$170

Design 1 Segmented Panel

Fabric/Finish Specifications		Specifications Example: Design 1	
BASE SEGMENTS	ADDITIONAL SEGMENTS		
Fabric/Fabric fabric (side 1): see page 6 fabric (side 2): see page 6	Fabric/Fabric fabric (side 1): see page 6 fabric (side 2): see page 6	SIDE 1	SIDE 2
Perforated Metal/Fabric paint (side 1 or 2): DT, MT, or CW fabric (side 1 or 2): see page 6	Markerboard/Markerboard no specifications		
Perforated Metal/ Perforated Metal paint (side 1): DT, MT, or CW paint (side 2): DT, MT, or CW	Markerboard/Fabric markerboard (side 1 or 2): n/a fabric (side 1 or 2): see page 6		
	Glazed glass (side 1): TR Clear or FR Frosted (XLT option) glass (side 2): TR Clear or FR Frosted (XLT option)		

ELECTRICAL

(1) PANEL KIT Specify size of panel frame				(2) BASE SEGMENT Specify one base segment			(3) ADDITIONAL SEGMENT Specify as many segments as needed to complete panel					
HEIGHT	WIDTH	MODEL #	LIST	* 26"H FABRIC, FABRIC	* 26"H PERF. METAL, FABRIC	26"H PERF. METAL, PERF. METAL	* 8"H FABRIC, FABRIC	* 14"H FABRIC, FABRIC	* 14"H MARKER, FABRIC	14"H MARKER, MARKER	14"H GLAZED	* 18"H FABRIC, FABRIC
39"	24"	FHPK.3924E-D1	\$404	+\$105	+\$140	+\$177	+\$65	X	X	X	X	X
	30"	FHPK.3930E-D1	\$456	+\$125	+\$169	+\$217	+\$75	X	X	X	X	X
	36"	FHPK.3936E-D1	\$494	+\$169	+\$191	+\$258	+\$77	X	X	X	X	X
	42"	FHPK.3942E-D1	\$544	+\$187	+\$220	+\$296	+\$85	X	X	X	X	X
	48"	FHPK.3948E-D1	\$588	+\$187	+\$255	+\$334	+\$98	X	X	X	X	X
47"	24"	FHPK.4724E-D1	\$419	+\$105	+\$140	+\$177	+\$65	X	X	X	X	X
	30"	FHPK.4730E-D1	\$470	+\$125	+\$169	+\$217	+\$75	X	X	X	X	X
	36"	FHPK.4736E-D1	\$508	+\$169	+\$191	+\$258	+\$77	X	X	X	X	X
	42"	FHPK.4742E-D1	\$558	+\$187	+\$220	+\$296	+\$85	X	X	X	X	X
	48"	FHPK.4748E-D1	\$602	+\$187	+\$255	+\$334	+\$98	X	X	X	X	X
53"	24"	FHPK.5324E-D1	\$434	+\$105	+\$140	+\$177	+\$65	+\$79	+\$184	+\$161	+\$288	X
	30"	FHPK.5330E-D1	\$484	+\$125	+\$169	+\$217	+\$75	+\$85	+\$213	+\$185	+\$339	X
	36"	FHPK.5336E-D1	\$522	+\$169	+\$191	+\$258	+\$77	+\$97	+\$253	+\$221	+\$390	X
	42"	FHPK.5342E-D1	\$572	+\$187	+\$220	+\$296	+\$85	+\$112	+\$266	+\$230	+\$442	X
	48"	FHPK.5348E-D1	\$617	+\$187	+\$255	+\$334	+\$98	+\$123	+\$299	+\$259	+\$493	X
67"	24"	FHPK.6724E-D1	\$459	+\$105	+\$140	+\$177	+\$65	+\$79	+\$184	+\$161	+\$288	X
	30"	FHPK.6730E-D1	\$509	+\$125	+\$169	+\$217	+\$75	+\$85	+\$213	+\$185	+\$339	X
	36"	FHPK.6736E-D1	\$546	+\$169	+\$191	+\$258	+\$77	+\$97	+\$253	+\$221	+\$390	X
	42"	FHPK.6742E-D1	\$598	+\$187	+\$220	+\$296	+\$85	+\$112	+\$266	+\$230	+\$442	X
	48"	FHPK.6748E-D1	\$642	+\$187	+\$255	+\$334	+\$98	+\$123	+\$299	+\$259	+\$4	X
85"	24"	FHPK.8524E-D1	\$484	+\$105	+\$140	+\$177	+\$65	+\$79	+\$184	+\$161	+\$288	+\$87
	30"	FHPK.8530E-D1	\$535	+\$125	+\$169	+\$217	+\$75	+\$85	+\$213	+\$185	+\$339	+\$96
	36"	FHPK.8536E-D1	\$572	+\$169	+\$191	+\$258	+\$77	+\$97	+\$253	+\$221	+\$390	+\$134
	42"	FHPK.8542E-D1	\$620	+\$187	+\$220	+\$296	+\$85	+\$112	+\$266	+\$230	+\$442	+\$143
	48"	FHPK.8548E-D1	\$665	+\$187	+\$255	+\$334	+\$98	+\$123	+\$299	+\$259	+\$493	+\$148

* For Group 5 pricing see next page

Design 1 Segmented Panel

ELECTRICAL

(1) PANEL KIT				(2) BASE SEGMENT		(3) ADDITIONAL SEGMENT			
HEIGHT	WIDTH	MODEL #	LIST	* 26"H FABRIC, FABRIC GROUP 5 COST	* 26"H PERF. METAL, FABRIC GROUP 5 COST	* 8"H FABRIC, FABRIC GROUP 5 COST	* 14"H FABRIC, FABRIC GROUP 5 COST	* 14"H MARKER, FABRIC GROUP 5 COST	* 18"H FABRIC, FABRIC GROUP 5 COST
39"	24"	FHPK.3924E-D1	\$404	+\$133	+\$155	+\$80	X	X	X
	30"	FHPK.3930E-D1	\$456	+\$153	+\$184	+\$90	X	X	X
	36"	FHPK.3936E-D1	\$494	+\$197	+\$206	+\$92	X	X	X
	42"	FHPK.3942E-D1	\$544	+\$215	+\$235	+\$100	X	X	X
	48"	FHPK.3948E-D1	\$588	+\$215	+\$235	+\$113	X	X	X
47"	24"	FHPK.4724E-D1	\$419	+\$133	+\$155	+\$80	X	X	X
	30"	FHPK.4730E-D1	\$470	+\$153	+\$184	+\$90	X	X	X
	36"	FHPK.4736E-D1	\$508	+\$197	+\$206	+\$92	X	X	X
	42"	FHPK.4742E-D1	\$558	+\$215	+\$235	+\$100	X	X	X
	48"	FHPK.4748E-D1	\$602	+\$215	+\$270	+\$113	X	X	X
53"	24"	FHPK.5324E-D1	\$434	+\$133	+\$155	+\$80	+\$98	+\$193	X
	30"	FHPK.5330E-D1	\$484	+\$153	+\$184	+\$90	+\$104	+\$222	X
	36"	FHPK.5336E-D1	\$522	+\$197	+\$206	+\$92	+\$116	+\$262	X
	42"	FHPK.5342E-D1	\$572	+\$215	+\$235	+\$100	+\$131	+\$275	X
	48"	FHPK.5348E-D1	\$617	+\$215	+\$270	+\$113	+\$142	+\$308	X
67"	24"	FHPK.6724E-D1	\$459	+\$133	+\$155	+\$80	+\$98	+\$193	X
	30"	FHPK.6730E-D1	\$509	+\$153	+\$184	+\$90	+\$104	+\$222	X
	36"	FHPK.6736E-D1	\$546	+\$197	+\$206	+\$92	+\$116	+\$262	X
	42"	FHPK.6742E-D1	\$598	+\$215	+\$235	+\$100	+\$131	+\$275	X
	48"	FHPK.6748E-D1	\$642	+\$215	+\$270	+\$113	+\$142	+\$308	X
85"	24"	FHPK.8524E-D1	\$484	+\$133	+\$155	+\$80	+\$98	+\$193	+\$109
	30"	FHPK.8530E-D1	\$535	+\$153	+\$184	+\$90	+\$104	+\$222	+\$118
	36"	FHPK.8536E-D1	\$572	+\$197	+\$206	+\$92	+\$116	+\$262	+\$156
	42"	FHPK.8542E-D1	\$620	+\$215	+\$235	+\$100	+\$131	+\$275	+\$165
	48"	FHPK.8548E-D1	\$665	+\$215	+\$270	+\$113	+\$142	+\$308	+\$170

Design 2 Segmented Panel

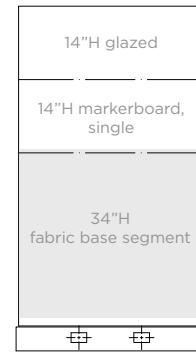
How to Order & Specify

- 1 Select a panel kit size.** Electrical or Non-Electrical, both with metal base cover.
- 2 Add a base segment.** Add price of the base segment to panel kit price.
- 3 Select additional segments.** Complete the panel with segments (reference diagram on page 47 Add prices to the total.

NOTE: All segments finish both sides of the panel. Specify the finish for each side.
- 4 Calculate total.** Add prices of all selections for total cost of panel.
- 5 Specify finishes.** Select fabrics and finishes as appropriate; reference opposite page.

Order Example

- 1 Select a panel kit size.**
67"H x 24"W non-electrical panel kit for \$184.
- 2 Add a base segment.**
34"H fabric covered base segment for \$159.
- 3 Select additional segments.**
14"H markerboard/fabric segment for \$175
14"H glazed segment for \$274
- 4 Calculate total.**
panel kit (\$213 kit)
+ \$159 base segment
+ additional segments (\$175 + \$274)
= \$821 total
- 5 Specify finishes.**
base segment: side 1 PF601-1, side 2 PF601-1
14"H markerboard/fabric: side 1 markerboard, side 2 PF601-1
14"H glazed: side 1 TR clear, side 2 TR clear



67"H x 24"W
non-electrical panel kit
with metal base cover

NON-ELECTRICAL

(1) PANEL KIT Specify size of panel frame				(2) BASE SEGMENT Add base segment	(3) ADDITIONAL SEGMENT Specify as many segments as needed to complete panel					
HEIGHT	WIDTH	MODEL #	LIST	* 34"H FABRIC, FABRIC	* 8"H FABRIC, FABRIC	* 14"H FABRIC, FABRIC	* 14"H MARKER, FABRIC	14"H MARKER, MARKER	14"H GLAZED	* 18"H FABRIC, FABRIC
39"	24"	FHPK.3924N-D2	\$219	+ \$167	X	X	X	X	X	X
	30"	FHPK.3930N-D2	\$238	+ \$197	X	X	X	X	X	X
	36"	FHPK.3936N-D2	\$253	+ \$241	X	X	X	X	X	X
	42"	FHPK.3942N-D2	\$275	+ \$265	X	X	X	X	X	X
	48"	FHPK.3948N-D2	\$292	+ \$281	X	X	X	X	X	X
47"	24"	FHPK.4724N-D2	\$219	+ \$167	+ \$65	X	X	X	X	X
	30"	FHPK.4730N-D2	\$252	+ \$197	+ \$75	X	X	X	X	X
	36"	FHPK.4736N-D2	\$268	+ \$241	+ \$77	X	X	X	X	X
	42"	FHPK.4742N-D2	\$288	+ \$265	+ \$85	X	X	X	X	X
	48"	FHPK.4748N-D2	\$305	+ \$281	+ \$98	X	X	X	X	X
53"	24"	FHPK.5324N-D2	\$245	+ \$167	X	+ \$79	+ \$184	+ \$161	+ \$288	X
	30"	FHPK.5330N-D2	\$265	+ \$197	X	+ \$85	+ \$213	+ \$185	+ \$339	X
	36"	FHPK.5336N-D2	\$281	+ \$241	X	+ \$97	+ \$253	+ \$221	+ \$390	X
	42"	FHPK.5342N-D2	\$302	+ \$265	X	+ \$112	+ \$266	+ \$230	+ \$442	X
	48"	FHPK.5348N-D2	\$318	+ \$281	X	+ \$123	+ \$299	+ \$259	+ \$493	X
67"	24"	FHPK.6724N-D2	\$270	+ \$167	X	+ \$79	+ \$184	+ \$161	+ \$288	X
	30"	FHPK.6730N-D2	\$289	+ \$197	X	+ \$85	+ \$213	+ \$185	+ \$339	X
	36"	FHPK.6736N-D2	\$305	+ \$241	X	+ \$97	+ \$253	+ \$221	+ \$390	X
	42"	FHPK.6742N-D2	\$326	+ \$265	X	+ \$112	+ \$266	+ \$230	+ \$442	X
	48"	FHPK.6748N-D2	\$343	+ \$281	X	+ \$123	+ \$299	+ \$259	+ \$493	X
85"	24"	FHPK.8524N-D2	\$306	+ \$167	X	+ \$79	+ \$184	+ \$161	+ \$288	+ \$87
	30"	FHPK.8530N-D2	\$326	+ \$197	X	+ \$85	+ \$213	+ \$185	+ \$339	+ \$96
	36"	FHPK.8536N-D2	\$342	+ \$241	X	+ \$97	+ \$253	+ \$221	+ \$390	+ \$134
	42"	FHPK.8542N-D2	\$363	+ \$265	X	+ \$112	+ \$266	+ \$230	+ \$442	+ \$143
	48"	FHPK.8548N-D2	\$379	+ \$281	X	+ \$123	+ \$299	+ \$259	+ \$493	+ \$148

* For Group 5 pricing see next page

Design 2 Segmented Panel

NON-ELECTRICAL

(1) PANEL KIT				(2) BASE SEGMENT	(3) ADDITIONAL SEGMENT			
HEIGHT	WIDTH	MODEL #	LIST	* 34"H FABRIC, FABRIC GROUP 5 COST	* 8"H FABRIC, FABRIC GROUP 5 COST	* 14"H FABRIC, FABRIC GROUP 5 COST	* 14"H MARKER, FABRIC GROUP 5 COST	* 18"H FABRIC, FABRIC GROUP 5 COST
39"	24"	FHPK.3924N-D2	\$219	+\$209	X	X	X	X
	30"	FHPK.3930N-D2	\$238	+\$239	X	X	X	X
	36"	FHPK.3936N-D2	\$253	+\$283	X	X	X	X
	42"	FHPK.3942N-D2	\$275	+\$307	X	X	X	X
	48"	FHPK.3948N-D2	\$292	+\$323	X	X	X	X
47"	24"	FHPK.4724N-D2	\$219	+\$209	+\$80	X	X	X
	30"	FHPK.4730N-D2	\$252	+\$239	+\$90	X	X	X
	36"	FHPK.4736N-D2	\$268	+\$283	+\$92	X	X	X
	42"	FHPK.4742N-D2	\$288	+\$307	+\$100	X	X	X
	48"	FHPK.4748N-D2	\$305	+\$323	+\$113	X	X	X
53"	24"	FHPK.5324N-D2	\$245	+\$209	X	+\$98	+\$193	X
	30"	FHPK.5330N-D2	\$265	+\$239	X	+\$104	+\$222	X
	36"	FHPK.5336N-D2	\$281	+\$283	X	+\$116	+\$262	X
	42"	FHPK.5342N-D2	\$302	+\$307	X	+\$131	+\$275	X
	48"	FHPK.5348N-D2	\$318	+\$323	X	+\$142	+\$308	X
67"	24"	FHPK.6724N-D2	\$270	+\$209	X	+\$98	+\$193	X
	30"	FHPK.6730N-D2	\$289	+\$239	X	+\$104	+\$222	X
	36"	FHPK.6736N-D2	\$305	+\$283	X	+\$116	+\$262	X
	42"	FHPK.6742N-D2	\$326	+\$307	X	+\$131	+\$275	X
	48"	FHPK.6748N-D2	\$343	+\$323	X	+\$142	+\$308	X
85"	24"	FHPK.8524N-D2	\$306	+\$209	X	+\$98	+\$193	+\$109
	30"	FHPK.8530N-D2	\$326	+\$239	X	+\$104	+\$222	+\$118
	36"	FHPK.8536N-D2	\$342	+\$283	X	+\$116	+\$262	+\$156
	42"	FHPK.8542N-D2	\$363	+\$307	X	+\$131	+\$275	+\$165
	48"	FHPK.8548N-D2	\$379	+\$323	X	+\$142	+\$308	+\$170

Design 2 Segmented Panel

Fabric/Finish Specifications		Specifications Example: Design 2	
BASE SEGMENT	ADDITIONAL SEGMENTS		
Fabric/Fabric fabric (side 1): see page 6 fabric (side 2): see page 6	Fabric/Fabric fabric (side 1): see page 6 fabric (side 2): see page 6		
	Markerboard/Markerboard no specifications		
	Markerboard/Fabric markerboard (side 1 or 2): n/a fabric (side 1 or 2): page 6		
	Glazed glass (side 1): TR Clear or FR Frosted (XLT option) glass (side 2): TR Clear or FR Frosted (XLT option)		

ELECTRICAL

(1) PANEL KIT Specify size of panel frame				(2) BASE SEGMENT Add base segment	(3) ADDITIONAL SEGMENT Specify as many segments as needed to complete panel					
HEIGHT	WIDTH	MODEL #	LIST	* 34"H FABRIC, FABRIC	* 8"H FABRIC, FABRIC	* 14"H FABRIC, FABRIC	* 14"H MARKER, FABRIC	14"H MARKER, MARKER	14"H GLAZED	* 18"H FABRIC, FABRIC
39"	24"	FHPK.3924E-D2	\$404	+ \$167	X	X	X	X	X	X
	30"	FHPK.3930E-D2	\$456	+ \$197	X	X	X	X	X	X
	36"	FHPK.3936E-D2	\$494	+ \$241	X	X	X	X	X	X
	42"	FHPK.3942E-D2	\$544	+ \$265	X	X	X	X	X	X
	48"	FHPK.3948E-D2	\$588	+ \$281	X	X	X	X	X	X
47"	24"	FHPK.4724E-D2	\$419	+ \$167	+ \$65	X	X	X	X	X
	30"	FHPK.4730E-D2	\$470	+ \$197	+ \$75	X	X	X	X	X
	36"	FHPK.4736E-D2	\$508	+ \$241	+ \$77	X	X	X	X	X
	42"	FHPK.4742E-D2	\$558	+ \$265	+ \$85	X	X	X	X	X
	48"	FHPK.4748E-D2	\$602	+ \$281	+ \$98	X	X	X	X	X
53"	24"	FHPK.5324E-D2	\$434	+ \$167	X	+ \$79	+ \$184	+ \$161	+ \$288	X
	30"	FHPK.5330E-D2	\$484	+ \$197	X	+ \$85	+ \$213	+ \$185	+ \$339	X
	36"	FHPK.5336E-D2	\$522	+ \$241	X	+ \$97	+ \$253	+ \$221	+ \$390	X
	42"	FHPK.5342E-D2	\$572	+ \$265	X	+ \$112	+ \$266	+ \$230	+ \$442	X
	48"	FHPK.5348E-D2	\$617	+ \$281	X	+ \$123	+ \$299	+ \$259	+ \$493	X
67"	24"	FHPK.6724E-D2	\$459	+ \$167	X	+ \$79	+ \$184	+ \$161	+ \$288	X
	30"	FHPK.6730E-D2	\$509	+ \$197	X	+ \$85	+ \$213	+ \$185	+ \$339	X
	36"	FHPK.6736E-D2	\$546	+ \$241	X	+ \$97	+ \$253	+ \$221	+ \$390	X
	42"	FHPK.6742E-D2	\$598	+ \$265	X	+ \$112	+ \$266	+ \$230	+ \$442	X
	48"	FHPK.6748E-D2	\$642	+ \$281	X	+ \$123	+ \$299	+ \$259	+ \$493	X
85"	24"	FHPK.8524E-D2	\$484	+ \$167	X	+ \$79	+ \$184	+ \$161	+ \$288	+ \$87
	30"	FHPK.8530E-D2	\$535	+ \$197	X	+ \$85	+ \$213	+ \$185	+ \$339	+ \$96
	36"	FHPK.8536E-D2	\$572	+ \$241	X	+ \$97	+ \$253	+ \$221	+ \$390	+ \$134
	42"	FHPK.8542E-D2	\$620	+ \$265	X	+ \$112	+ \$266	+ \$230	+ \$442	+ \$143
	48"	FHPK.8548E-D2	\$665	+ \$281	X	+ \$123	+ \$299	+ \$259	+ \$493	+ \$148

* For Group 5 pricing see next page

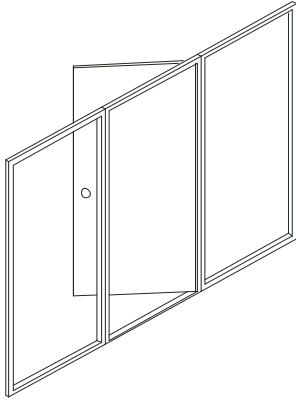
Design 2 Segmented Panel

ELECTRICAL

(1) PANEL KIT				(2) BASE SEGMENT	(3) ADDITIONAL SEGMENT			
HEIGHT	WIDTH	MODEL #	LIST	* 34"H FABRIC, FABRIC GROUP 5 COST	* 8"H FABRIC, FABRIC GROUP 5 COST	* 14"H FABRIC, FABRIC GROUP 5 COST	* 14"H MARKER, FABRIC GROUP 5 COST	* 18"H FABRIC, FABRIC GROUP 5 COST
39"	24"	FHPK.3924E-D2	\$404	+\$209	X	X	X	X
	30"	FHPK.3930E-D2	\$456	+\$239	X	X	X	X
	36"	FHPK.3936E-D2	\$494	+\$283	X	X	X	X
	42"	FHPK.3942E-D2	\$544	+\$307	X	X	X	X
	48"	FHPK.3948E-D2	\$588	+\$323	X	X	X	X
47"	24"	FHPK.4724E-D2	\$419	+\$209	+\$80	X	X	X
	30"	FHPK.4730E-D2	\$470	+\$239	+\$90	X	X	X
	36"	FHPK.4736E-D2	\$508	+\$283	+\$92	X	X	X
	42"	FHPK.4742E-D2	\$558	+\$307	+\$100	X	X	X
	48"	FHPK.4748E-D2	\$602	+\$323	+\$113	X	X	X
53"	24"	FHPK.5324E-D2	\$434	+\$209	X	+\$98	+\$193	X
	30"	FHPK.5330E-D2	\$484	+\$239	X	+\$104	+\$222	X
	36"	FHPK.5336E-D2	\$522	+\$283	X	+\$116	+\$262	X
	42"	FHPK.5342E-D2	\$572	+\$307	X	+\$131	+\$275	X
	48"	FHPK.5348E-D2	\$617	+\$323	X	+\$142	+\$308	X
67"	24"	FHPK.6724E-D2	\$459	+\$209	X	+\$98	+\$193	X
	30"	FHPK.6730E-D2	\$509	+\$239	X	+\$104	+\$222	X
	36"	FHPK.6736E-D2	\$546	+\$283	X	+\$116	+\$262	X
	42"	FHPK.6742E-D2	\$598	+\$307	X	+\$131	+\$275	X
	48"	FHPK.6748E-D2	\$642	+\$323	X	+\$142	+\$308	X
85"	24"	FHPK.8524E-D2	\$484	+\$209	X	+\$98	+\$193	+\$109
	30"	FHPK.8530E-D2	\$535	+\$239	X	+\$104	+\$222	+\$118
	36"	FHPK.8536E-D2	\$572	+\$283	X	+\$116	+\$262	+\$156
	42"	FHPK.8542E-D2	\$620	+\$307	X	+\$131	+\$275	+\$165
	48"	FHPK.8548E-D2	\$665	+\$323	X	+\$142	+\$308	+\$170

DOOR FRAMES

Door Frames



Right hand swing shown

DESCRIPTION

This door frame connects to wall starts, connectors and adjacent 85"H panels. It comes with an 82-1/2"H door, a standard top cap, door knob, door stop, carpet grippers and hinges. Door Frame cannot be powered. Hinges and door knob have a satin aluminum finish standard

NOTES

- Specify L for left hand swing, and R for right hand swing.

SPECIFICATION OPTIONS

product #: see charts below
door, door frame, top cap finish: DT Dark Tone, MT Medium Tone, CW Cloud White, SV Silver

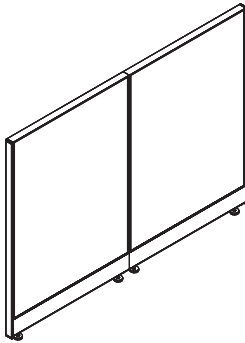
ORDER EXAMPLE

product #: FHDOPA.8536L
door, door frame, top cap finish: DT Dark Tone

PART #	HEIGHT	WIDTH	DEPTH	WT. (LBS)	LIST
FHDOPA.8536L	85-3/4"	36"	2-9/16"	—	\$4,629
FHDOPA.8536R	85-3/4"	36"	2-9/16"	—	\$4,629
FHDOPA.8542L	85-3/4"	42"	2-9/16"	—	\$4,629
FHDOPA.8542R	85-3/4"	42"	2-9/16"	—	\$4,629

PANEL HARDWARE

Draw Rod



DESCRIPTION

Panel hardware to connect two panels in a straight line or a panel to a wall start or a panel to power pole.

SPECIFICATION OPTIONS

product #: see charts below

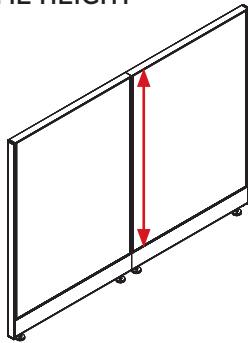
NOTES

- When connecting panels of different heights to each other, order draw rod change of height
- Draw rods are 5" shorter than the panel height

ORDER EXAMPLE

product #: FDR.34

DRAW ROD SAME HEIGHT

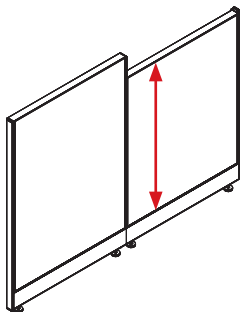


PART #	HEIGHT	WIDTH	DEPTH	WT. (LBS)	LIST
FDRSH.34	34"	—	—	1	\$25
FDRSH.42	42"	—	—	1	\$25
FDRSH.48	48"	—	—	1	\$26
FDRSH.62	62"	—	—	1	\$26
FDRSH.80	80"	—	—	2	\$26

NOTES

- Rod and block assembly connects two panels at 180° (straight line)
- Panel hardware to connect two panels in a straight line .
- Color: DT Dark Tone

DRAW ROD CHANGE OF HEIGHT



PART #	HEIGHT	WIDTH	DEPTH	WT. (LBS)	LIST
FHDRCHS.34	34"	—	—	2	\$41
FHDRCHS.42	42"	—	—	2	\$41
FHDRCHS.48	48"	—	—	2	\$47
FHDRCHS.62	62"	—	—	2	\$47

NOTES

- Rod and block assembly connects two panels at 180° (straight line) when the panels are of different height.
- Order the height of the shorter panel.
- Includes Hanger Rail to match the height of the shorter panel
- Remove Hanger Rail from taller panel and replace with the shorter Hanger Rail.
- Color: DT Dark Tone.

DRAW ROD WALL START/POWER POLE

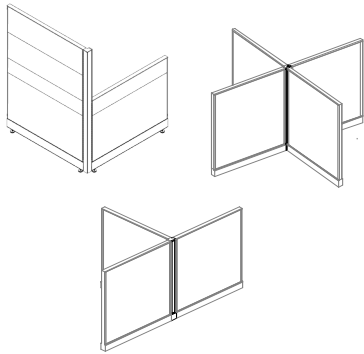


PART #	HEIGHT	WIDTH	DEPTH	WT. (LBS)	LIST
FDR.34	34"	—	—	1	\$25
FDR.42	42"	—	—	1	\$25
FDR.48	48"	—	—	1	\$26
FDR.62	62"	—	—	1	\$26
FDR.80	80"	—	—	2	\$26

NOTES

Rod and block assembly for use at wall start or power pole installed at end of run.

Connectors



DESCRIPTION

Panel hardware to connect 2, 3 or 4 panels. Includes hardware.

NOTES

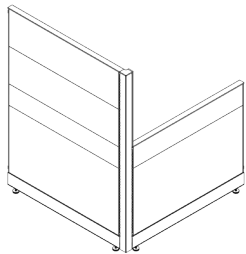
- Includes connector top cap
- No draw rods needed to attach connectors to panels.
- When connecting panels of different heights, specify the connector to match the tallest panel.
- For panels that do not match the height of the connector, order Finished End Change of Height separately.

SPECIFICATION OPTIONS

product #: see charts below
finish: see page 10

ORDER EXAMPLE

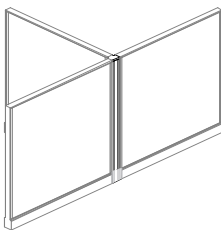
product #: FH2W.39
finish: DT

2-WAY 90°
CONNECTOR POST

PART #	HEIGHT	WIDTH	DEPTH	WT. (LBS)	LIST
FH2W.39	39"	3.5"	3.5"	4	\$148
FH2W.47	47"	3.5"	3.5"	5	\$166
FH2W.53	53"	3.5"	3.5"	6	\$176
FH2W.67	67"	3.5"	3.5"	7	\$192
FH2W.85	85"	3.5"	3.5"	8	\$213

NOTES

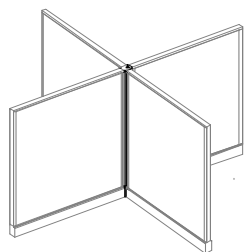
- Connects 2 panels at 90°.
- When connecting panels of different heights, specify the connector to match the tallest panel.
- For panels that do not match the height of the connector, order Finished End Change of Height separately.

3-WAY 90°
CONNECTOR POST

PART #	HEIGHT	WIDTH	DEPTH	WT. (LBS)	LIST
FH3W.39	39"	3.5"	3.5"	5	\$171
FH3W.47	47"	3.5"	3.5"	6	\$196
FH3W.53	53"	3.5"	3.5"	7	\$214
FH3W.67	67"	3.5"	3.5"	8	\$255
FH3W.85	85"	3.5"	3.5"	9	\$284

NOTES

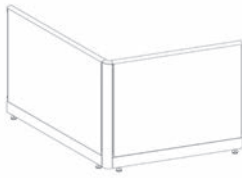
- Connects 3 panels at 90°.
- Includes cable management trim cover and top cap
- When connecting panels of different heights, specify the connector to match the tallest panel.
- For panels that do not match the height of the connector, order Finished End Change of Height separately.

4-WAY 90°
CONNECTOR POST

PART #	HEIGHT	WIDTH	DEPTH	WT. (LBS)	LIST
FH4W.39	39"	3.5"	3.5"	6	\$173
FH4W.47	47"	3.5"	3.5"	7	\$211
FH4W.53	53"	3.5"	3.5"	8	\$222
FH4W.67	67"	3.5"	3.5"	10	\$298
FH4W.85	85"	3.5"	3.5"	10	\$362

NOTES

- Connects 4 panels at 90°.
- Includes top cap
- When connecting panels of different heights, specify the connector to match the tallest panel.
- For panels that do not match the height of the connector, order Finished End Change of Height separately.

**2-WAY 120°
CONNECTOR POST**

PART #	HEIGHT	WIDTH	DEPTH	WT. (LBS)	LIST
FH2W120.39	39"	3.5	—	—	\$253
FH2W120.47	47"	3.5	—	—	\$282
FH2W120.53	53"	3.5	—	—	\$304
FH2W120.67	67"	3.5	—	—	\$355
FH2W120.85	85"	3.5	—	—	\$416

NOTES

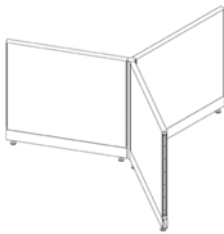
- Connects 2 panels at 120°.
- When connecting panels of different heights, specify the connector to match the tallest panel.
- For panels that do not match the height of the connector, order Finished End Change of Height separately.

**2-WAY 135°
CONNECTOR POST**

PART #	HEIGHT	WIDTH	DEPTH	WT. (LBS)	LIST
FH2W135.39	39"	3.5	—	—	\$247
FH2W135.47	47"	3.5	—	—	\$274
FH2W135.53	53"	3.5	—	—	\$294
FH2W135.67	67"	3.5	—	—	\$338
FH2W135.85	85"	3.5	—	—	\$392

NOTES

- Connects 2 panels at 135°.
- When connecting panels of different heights, specify the connector to match the tallest panel.
- For panels that do not match the height of the connector, order Finished End Change of Height separately.

**3-WAY 120°
CONNECTOR POST**

PART #	HEIGHT	WIDTH	DEPTH	WT. (LBS)	LIST
FH3W120.39	39"	3.5	—	—	\$247
FH3W120.47	47"	3.5	—	—	\$274
FH3W120.53	53"	3.5	—	—	\$294
FH3W120.67	67"	3.5	—	—	\$338
FH3W120.85	85"	3.5	—	—	\$392

NOTES

- Connects 3 panels at 120°.
- When connecting panels of different heights, specify the connector to match the tallest panel.
- For panels that do not match the height of the connector, order Finished End Change of Height separately.

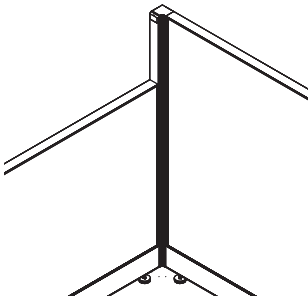
FINISHED END

PART #	HEIGHT	WIDTH	DEPTH	WT. (LBS)	LIST
FHFE.39	39"	3.5"	1"	2	\$67
FHFE.47	47"	3.5"	1"	2	\$76
FHFE.53	53"	3.5"	1"	2	\$80
FHFE.67	67"	3.5"	1"	2	\$91
FHFE.85	85"	3.5"	1"	3	\$100

NOTES

- Finishes the vertical end of a panel at the end of a panel run.
- Includes the cable management trim cover.

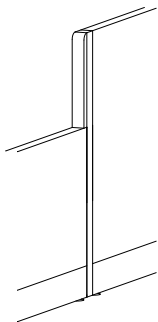
Connectors / continued

FINISHED END,
CHANGE OF HEIGHT
FOR CONNECTOR

PART #	HEIGHT	WIDTH	DEPTH	WT. (LBS)	LIST
FHFECH.6	6"	1.75"	.25"	1	\$80
FHFECH.8	8"	1.75"	.25"	1	\$80
FHFECH.14	14"	1.75"	.25"	1	\$80
FHFECH.18	18"	1.75"	.25"	2	\$80
FHFECH.20	20"	1.75"	.25"	2	\$80
FHFECH.28	28"	1.75"	.25"	3	\$80
FHFECH.32	32"	1.75"	.25"	3	\$80
FHFECH.38	38"	1.75"	.25"	3	\$80
FHFECH.46	46"	1.75"	.25"	3	\$80

NOTES

- Finishes the exposed end of a connector at a change of height location.
- Includes finished end trim and mounting hardware.

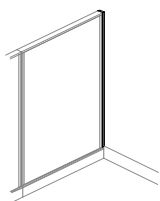
FINISHED END,
CHANGE OF HEIGHT
FOR PANEL TO PANEL

PART #	HEIGHT	WIDTH	DEPTH	WT. (LBS)	LIST
FHFECHS.6	6"	1.75"	.25"	1	\$80
FHFECHS.8	8"	1.75"	.25"	1	\$80
FHFECHS.14	14"	1.75"	.25"	1	\$80
FHFECHS.18	18"	1.75"	.25"	2	\$80
FHFECHS.20	20"	1.75"	.25"	2	\$80
FHFECHS.28	28"	1.75"	.25"	3	\$80
FHFECHS.32	32"	1.75"	.25"	3	\$80
FHFECHS.38	38"	1.75"	.25"	3	\$80
FHFECHS.46	46"	1.75"	.25"	3	\$80

NOTES

- Finishes the exposed end of a panel at a change of height location.
- Includes finished end trim and mounting hardware.

WALL START

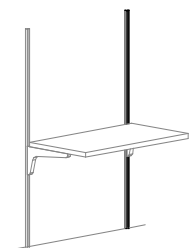


PART #	HEIGHT	WIDTH	DEPTH	WT. (LBS)	LIST
FWSTA.34	34"	1.75"	1"	2	\$55
FWSTA.42	42"	1.75"	1"	3	\$62
FWSTA.48	48"	1.75"	1"	3	\$69
FWSTA.62	62"	1.75"	1"	3	\$78
FWSTA.80	80"	1.75"	1"	4	\$86

NOTES

- Connects panel to structural wall or column. Can also connect equal height panels at a 90° angle at any point along the panel width.
- Order one draw rod of the same height to attach panel to wall start.

WALL STRIP



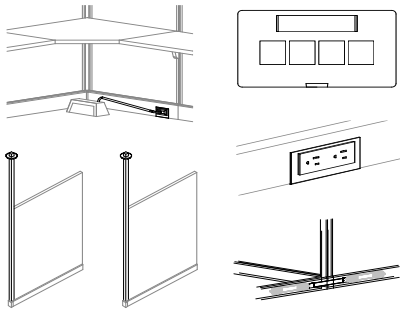
PART #	HEIGHT	WIDTH	DEPTH	WT. (LBS)	LIST
FWSST.60	60"	—	—	3	\$66
FWSST.72	72"	—	—	3	\$76
FWSST.84	84"	—	—	4	\$93

NOTES

- Attaches to structural wall to hang worksurfaces and/or components.
- Includes one wall strip.
- Aluminum finish only.
- Can be shared, support (2) components side by side w/(3) wall strips

ELECTRICAL DISTRIBUTION

Electrical Distribution



DESCRIPTION

Parts for distributing power through your system. Distributes up to four 20-amp circuits.

NOTES

- 4-circuit

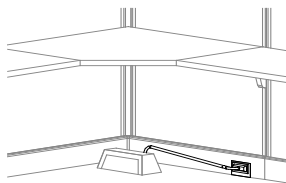
SPECIFICATION OPTIONS

product #: see charts below
finish: page 10

ORDER EXAMPLE

product #: FHBPE

BASE POWER ENTRY DIRECT CONNECT, 4-CIRCUIT



PART #	HEIGHT	WIDTH	DEPTH	WT. (LBS)	LIST
FHBPE	left angle elbow	6'	—	5	\$344

NOTES

Connects building power from a wall, floor or column to the base of a panel.

Plugs directly into the panel's electrical harness at receptacle location.

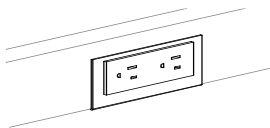
Basefeed is approx 6 1/2 feet long

Distributes up to four 20-amp circuits.

Includes a cable that can be field-cut to the appropriate length.

MUST BE WIRED BY A LICENSED ELECTRICIAN.

RECEPTACLE 4-CIRCUIT



PART #	HEIGHT	WIDTH	DEPTH	WT. (LBS)	LIST
FHRECP4.I	circuit a			0.25	\$28
FHRECP4.II	circuit b			0.25	\$28
FHRECP4.III	circuit c			0.25	\$28
FHRECP4.IIII	circuit d, dedicated			0.25	\$28
FHRECP4.II-CONT	Circuit b			0.25	\$28
FHRECP4.III-CONT	Circuit c			0.25	\$28

NOTES

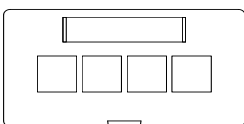
Locks into panel base power harness.

Provides access to I, II, III, or IIII circuit, upto 20 Amps.

Provides dedicated circuit with "IIII" receptacle, upto 20 Amps.

Receptacle -CONT are permanently marked CONTROLLED on the face of the receptacle and must be connected to a timer or motion sensor at the infeed location by a licensed electrician in order to comply with California T24

DATA PORT PLATE



PART #	HEIGHT	WIDTH	DEPTH	WT. (LBS)	LIST
FHDPP	2.125"	3.625"	0.750"	0.10	\$47

NOTES

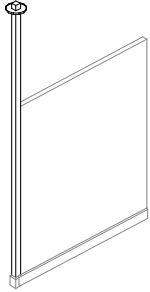
This Data Port plate is used at the base of a panel in unused duplex cutout to connect computers and/or communication equipment.

Data jacks should be top feed 90° type, not the back feed 180° type.

4 port locations and comes with 1 blank insert.

Available in BU, CW or SV finish

Electrical Distribution / continued

CEILING POWER ENTRY
INTERNAL DIRECT
CONNECT 4-CIRCUIT

PART #	HEIGHT	WIDTH	DEPTH	WT. (LBS)	LIST
FHCPE.39	39"	3.5"	3.5"	13	\$728
FHCPE.47	47"	3.5"	3.5"	13	\$728
FHCPE.53	53"	3.5"	3.5"	13	\$728
FHCPE.67	67"	3.5"	3.5"	13	\$728
FHCPE.85	85"	3.5"	3.5"	13	\$728

NOTES

Connects a ceiling electrical supply to the base of a powered panel.

Distributes up to four 20-amp circuits.

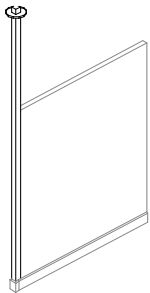
To attach at a:

- 2-Way connection point, order a 3-Way connector
- 3-Way connection point, order a 4-Way connector
- end of a panel run, order a draw rod separately.

Includes a rigid 12' conduit when extended, encasing 14' of wire, 12' pole, bezel and end cap trim cover.

Pole can fit (70) cat. 6 cables along with power conduit.

MUST BE WIRED BY A LICENSED ELECTRICIAN.

CEILING DATA ENTRY
NON-POWERED

PART #	HEIGHT	WIDTH	DEPTH	WT. (LBS)	LIST
FHCDE.39	39"	3.5"	3.5"	8	\$328
FHCDE.47	47"	3.5"	3.5"	8	\$328
FHCDE.53	53"	3.5"	3.5"	8	\$328
FHCDE.67	67"	3.5"	3.5"	8	\$328
FHCDE.85	85"	3.5"	3.5"	8	\$328

NOTES

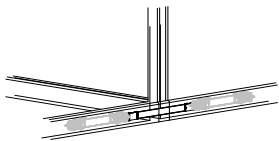
Routes data cables from the ceiling to the base of a panel.

To attach at a:

- 2-Way connection point, order a 3-Way connector
- 3-Way connection point, order a 4-Way connector
- end of a panel run, order a Draw Rod separately.

Includes a rigid 12' conduit when extended, encasing 14' of wire, 12' pole, bezel and end cap trim cover.

Pole can fit (73) cat. 6 cables .

POWER FESTOON
PANEL THROUGH POST

PART #	HEIGHT	WIDTH	DEPTH	WT. (LBS)	LIST
FHCPK.1	23"	—	—	1	\$93

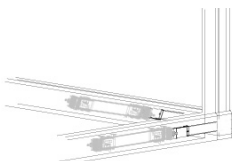
NOTES

Extends power in a straight line through 3-Way or 4-Way connector.

Extends power through a 120° or 135° 2 or 3 way connector.

No festoon needed for straight line.

Included in power panel

POWER FESTOON
90° ANGLE

PART #	HEIGHT	WIDTH	DEPTH	WT. (LBS)	LIST
FHCPK.90	—	—	—	1	\$93

NOTES

Extends power at a 90° angle through a 2-Way, 3-Way or 4-Way connector.

No festoon needed for straight line.

Included in power panel

**POWER PANEL
CONVERSION KIT**

PART #	HEIGHT	WIDTH	DEPTH	WT. (LBS)	LIST
FHPPCK.24	—	24"	—	1	\$237
FHPPCK.30	—	30"	—	2	\$277
FHPPCK.36	—	36"	—	2	\$304
FHPPCK.42	—	42"	—	2	\$338
FHPPCK.48	—	48"	—	3	\$372

NOTES

Includes:

- Power Retro
- Metal base cover with power cutouts
- Panel to panel festoon

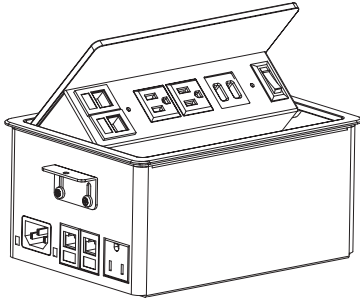
Order duplex outlets separately.

Specify base finish: DT, MT, CW, SV

Order the Power Festoon Through Post if you are converting a non-electrical panel in a straight line through a 3-Way or 4-Way connection.

Order the Power Festoon 90° Angle if you are converting a non-electrical panel at a 90° angle through a 2-Way, 3-Way or 4-Way connection.

Power Grommet Worksurface Mounted



DESCRIPTION

Worksurface mounted power/data grommet

NOTES

Includes 10' coiled power cord to connect to power source, or daisy chain to next power grommet

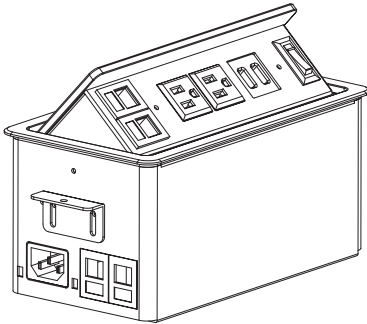
SPECIFICATION OPTIONS

product #: see charts below
finish: BA Brushed Aluminum, BC Brushed Charcoal or CW Cloud White (contact customer service for lead time)

ORDER EXAMPLE

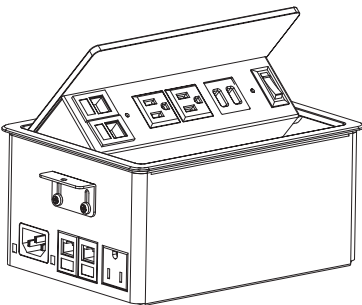
product #: FPWR.0608
finish: BA Brushed Aluminum

POWER GROMMET, 5x8



PART #	HEIGHT	WIDTH	DEPTH	PRICE	NOTES
FPWR.0508		8"	5"	\$579	<ul style="list-style-type: none"> • Worksurface mounted power/data grommet, 5x8 • Includes 10' coiled power cord to connect to power source • Distributes up to 10 amps • Above Worksurface: (2) CAT6 data ports (out), (2) power outlets, (2) USB ports • Below Worksurface: (2) CAT6 data ports (in), (1) power outlet, Daisy Chain ports (in/out)

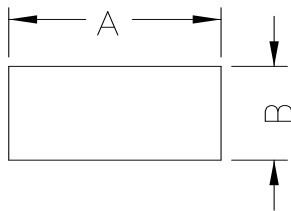
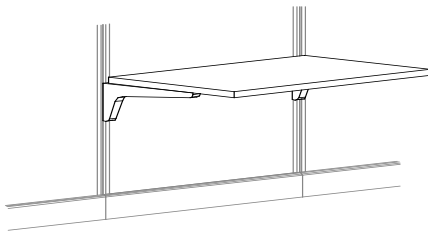
POWER GROMMET, 6x8



PART #	HEIGHT	WIDTH	DEPTH	PRICE	NOTES
FPWR.0608		8"	6"	\$579	<ul style="list-style-type: none"> • Worksurface mounted power/data grommet, 6x8 • Includes 10' coiled power cord to connect to power source • Distributes up to 10 amps • Above Worksurface: (2) CAT6 data ports (out), (2) power outlets, (2) USB ports • Below Worksurface: (2) CAT6 data ports (in), (2) power outlets, Daisy Chain ports (in/out)

WORKSURFACES

Rectangular



DESCRIPTION

Worksurface hangs from a panel or wall strips. It has a laminate top and a PVC edge. There is a 7/8" gap at the back of the worksurface for plug and cord passage. 60" to 84" worksurfaces have a center support. Includes cantilever brackets and attachment hardware.

NOTES

When spanning a 3-Way Connector, order the worksurface with "-3W" at the end of the part number.

Example: For a worksurface that would span two 30"W Panels with one 3-Way Connector, order the FHERWS.2460L-3W

SPECIFICATION OPTIONS

product #: see charts below
worksurface finish: see page 9
edge finish: see page 9
support finish: see page 10

ORDER EXAMPLE

product #: FHERWS.2424L
worksurface finish: M1, Light Maple
edge finish: E1, Light Maple
support finish: Cloud White

24" D WORKSURFACES

PART #	HEIGHT	A	B	C	D	WT. (LBS)	LIST
FHERWS.2424L	1.25"	24"	24"	—	—	30	\$258
FHERWS.2430L	1.25"	30"	24"	—	—	36	\$297
FHERWS.2436L	1.25"	36"	24"	—	—	41	\$305
FHERWS.2442L	1.25"	42"	24"	—	—	47	\$377
FHERWS.2448L	1.25"	48"	24"	—	—	53	\$385
FHERWS.2454L	1.25"	54"	24"	—	—	58	\$442
FHERWS.2460L	1.25"	60"	24"	—	—	64	\$479
FHERWS.2466L	1.25"	66"	24"	—	—	70	\$537
FHERWS.2472L	1.25"	72"	24"	—	—	76	\$550
FHERWS.2478L	1.25"	78"	24"	—	—	81	\$646
FHERWS.2484L	1.25"	84"	24"	—	—	87	\$651

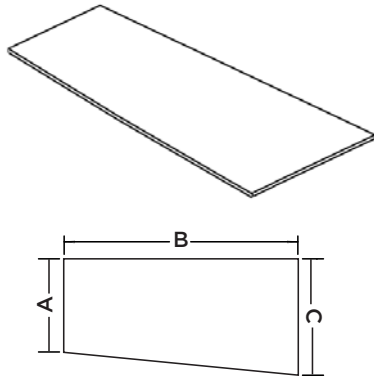
PART #	HEIGHT	A	B	C	D	WT. (LBS)	LIST
FHERWS.2424L-3W	1.25"	27.5"	24"	—	—	30	\$370
FHERWS.2430L-3W	1.25"	33.5"	24"	—	—	36	\$408
FHERWS.2436L-3W	1.25"	39.5"	24"	—	—	41	\$418
FHERWS.2442L-3W	1.25"	45.5"	24"	—	—	47	\$487
FHERWS.2448L-3W	1.25"	51.5"	24"	—	—	53	\$498
FHERWS.2454L-3W	1.25"	57.5"	24"	—	—	58	\$554
FHERWS.2460L-3W	1.25"	63.5"	24"	—	—	64	\$592
FHERWS.2466L-3W	1.25"	69.5"	24"	—	—	70	\$648
FHERWS.2472L-3W	1.25"	75.5"	24"	—	—	76	\$661
FHERWS.2478L-3W	1.25"	81.5"	24"	—	—	81	\$757
FHERWS.2484L-3W	1.25"	87.5"	24"	—	—	87	\$763

30" D WORKSURFACES

PART #	HEIGHT	A	B	C	D	WT. (LBS)	LIST
FHERWS.3024L	1.25"	24"	30"	—	—	38	\$344
FHERWS.3030L	1.25"	30"	30"	—	—	45	\$393
FHERWS.3036L	1.25"	36"	30"	—	—	53	\$403
FHERWS.3042L	1.25"	42"	30"	—	—	60	\$484
FHERWS.3048L	1.25"	48"	30"	—	—	66	\$495
FHERWS.3054L	1.25"	54"	30"	—	—	74	\$562
FHERWS.3060L	1.25"	60"	30"	—	—	81	\$601
FHERWS.3066L	1.25"	66"	30"	—	—	88	\$671
FHERWS.3072L	1.25"	72"	30"	—	—	95	\$685
FHERWS.3078L	1.25"	78"	30"	—	—	103	\$803
FHERWS.3084L	1.25"	84"	30"	—	—	111	\$809

PART #	HEIGHT	A	B	C	D	WT. (LBS)	LIST
FHERWS.3024L-3W	1.25"	27.5"	30"	—	—	38	\$456
FHERWS.3030L-3W	1.25"	33.5"	30"	—	—	45	\$505
FHERWS.3036L-3W	1.25"	39.5"	30"	—	—	53	\$514
FHERWS.3042L-3W	1.25"	45.5"	30"	—	—	60	\$595
FHERWS.3048L-3W	1.25"	51.5"	30"	—	—	66	\$606
FHERWS.3054L-3W	1.25"	57.5"	30"	—	—	74	\$674
FHERWS.3060L-3W	1.25"	63.5"	30"	—	—	81	\$714
FHERWS.3066L-3W	1.25"	69.5"	30"	—	—	88	\$783
FHERWS.3072L-3W	1.25"	75.5"	30"	—	—	95	\$797
FHERWS.3078L-3W	1.25"	81.5"	30"	—	—	103	\$916
FHERWS.3084L-3W	1.25"	87.5"	30"	—	—	111	\$922

Wedge



DESCRIPTION

Worksurface hangs from frames or wall strips. It has a laminate top and a PVC edge.

NOTES

- 78" and 84" worksurfaces will accept a 42" or 36"W lateral file
- 72"W worksurface will accept a 36"W lateral file
- 66"W worksurface will accept a 30"W lateral file
- Worksurfaces shorter than 48"W will not accept a pedestal
- Includes cantilever brackets and attachment hardware
- Mending plates are included with rectangular worksurfaces only.
- Order mending plates separately if placing this worksurface next to another non-rectangular worksurface.

SPECIFICATION OPTIONS

product #: see charts below
worksurface finish: see page 9
edge finish: see page 9

ORDER EXAMPLE

product #: FHWDWS.243030
worksurface finish: M1 Light Maple
edge finish: E1 Light Maple

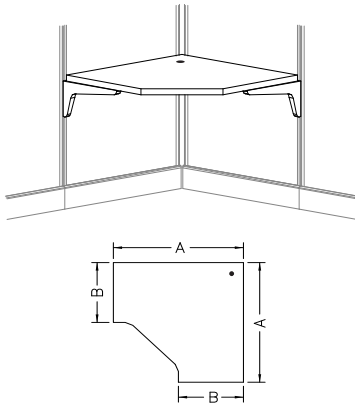
24" D LEFT 30" D RIGHT

PART #	HEIGHT	A	B	C	D	WT. (LBS)	LIST
FHWDWS.243030	1.25"	24"	30"	30"	—	40	\$410
FHWDWS.243630	1.25"	24"	36"	30"	—	46	\$421
FHWDWS.244230	1.25"	24"	42"	30"	—	53	\$506
FHWDWS.244830	1.25"	24"	48"	30"	—	60	\$517
FHWDWS.245430	1.25"	24"	54"	30"	—	66	\$587
FHWDWS.246030	1.25"	24"	60"	30"	—	74	\$628
FHWDWS.246630	1.25"	24"	66"	30"	—	81	\$702
FHWDWS.247230	1.25"	24"	72"	30"	—	88	\$717
FHWDWS.247830	1.25"	24"	78"	30"	—	95	\$840
FHWDWS.248430	1.25"	24"	84"	30"	—	102	\$846

24" D RIGHT 30" D LEFT

PART #	HEIGHT	A	B	C	D	WT. (LBS)	LIST
FHWDWS.303024	1.25"	30"	30"	24"	—	40	\$410
FHWDWS.303624	1.25"	30"	36"	24"	—	46	\$421
FHWDWS.304224	1.25"	30"	42"	24"	—	53	\$506
FHWDWS.304824	1.25"	30"	48"	24"	—	60	\$517
FHWDWS.305424	1.25"	30"	54"	24"	—	66	\$587
FHWDWS.306024	1.25"	30"	60"	24"	—	74	\$628
FHWDWS.306624	1.25"	30"	66"	24"	—	81	\$702
FHWDWS.307224	1.25"	30"	72"	24"	—	88	\$717
FHWDWS.307824	1.25"	30"	78"	24"	—	95	\$840
FHWDWS.308424	1.25"	30"	84"	24"	—	102	\$846

90° Notched and Curved Corner



DESCRIPTION

Worksurface hangs from a panel or wall strips. It has a laminate top and a PVC edge. There is a 7/8" gap at the back of the worksurface for plug and cord passage. It has 24"D or 30"D connecting sides. Includes cantilever brackets and attachment hardware.

NOTES

- Includes one wire grommet, cantilever brackets, one corner bracket, and attachment hardware.
- *Corners are angled (not available with notched front edge)
- Mending plates are included with rectangular worksurfaces only.
- Order mending plates separately if placing this worksurface next to another non-rectangular worksurface.

SPECIFICATION OPTIONS

product #: see charts below
worksurface finish: see page 9
edge finish: see page 9
support finish: see page 10

ORDER EXAMPLE

product #: FHECWS.2436L
worksurface finish: M1 Light Maple
edge finish: E1 Light Maple
support finish: Cloud White

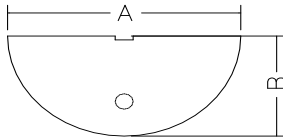
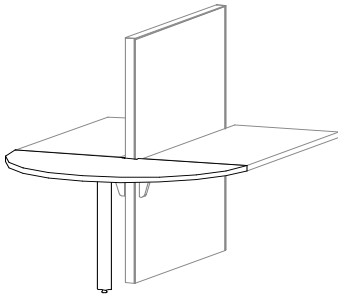
90° NOTCHED CORNER

PART #	HEIGHT	A	B	C	D	WT. (LBS)	LIST	NOTES
FHECWS.2436L	1.25"	36" *	24"	—	—	53	\$498	* Corners are angled (not available with notched front edge)
FHECWS.2442L	1.25"	42"	24"	—	—	72	\$615	
FHECWS.2448L	1.25"	48"	24"	—	—	83	\$651	
FHECWS.3036L	1.25"	36" *	30"	—	—	60	\$553	
FHECWS.3042L	1.25"	42" *	30"	—	—	74	\$669	
FHECWS.3048L	1.25"	48"	30"	—	—	85	\$705	

90° CURVED CORNER

PART #	HEIGHT	A	B	C	D	WT. (LBS)	LIST
FHECCWS.2436L	1.25"	36"	24"	—	—	54	\$498
FHECCWS.2442L	1.25"	42"	24"	—	—	68	\$615
FHECCWS.2448L	1.25"	48"	24"	—	—	72	\$651
FHECCWS.3036L	1.25"	36"	30"	—	—	60	\$553
FHECCWS.3042L	1.25"	42"	30"	—	—	76	\$669
FHECCWS.3048L	1.25"	48"	30"	—	—	78	\$705

Square Edge Half Circle



DESCRIPTION

This Half Circle worksurface has a notch and attaches to the end of two back to back rectangular or extended corner worksurfaces, and includes one support column leg. It has a laminate top and a PVC edge.

NOTES

- Support column leg has a leveling glide and attaching hardware
- Ships knocked down
- Column leg finish matches support.
- Mending plates are included with rectangular worksurfaces only.
- Order mending plates separately if placing this worksurface next to another non-rectangular worksurface

SPECIFICATION OPTIONS

product #: see charts below
worksurface finish: see page 9
edge finish: see page 9
support finish: see page 10

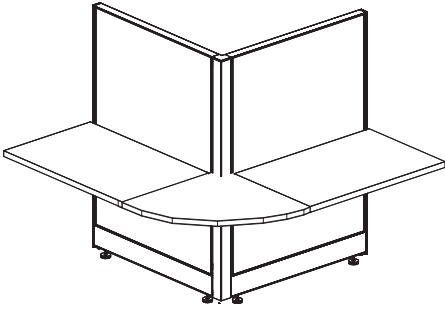
ORDER EXAMPLE

product #: FHEHCWS.50L
worksurface finish: M1 Light Maple
edge finish: E1 Light Maple
support finish: Cloud White

SQUARE EDGE HALF CIRCLE

PART #	HEIGHT	A	B	C	D	WT. (LBS)	LIST
FHEHCWS.50L	29"	52"	26"	—	—	55	\$936
FHEHCWS.60L	29"	64"	32"	—	—	67	\$1,056

Quarter Round Top



DESCRIPTION

This Worksurface attaches to the end of two worksurfaces at a 90° angle (as shown in image). It has a laminate top, and a PVC edge. Attachment hardware included

NOTES

- Ships unassembled
- Includes (1) pair shared cantilevers & mending plates

SPECIFICATION OPTIONS

product #: see charts below
edge finish: 3MM PVC, See page 9
worksurface finish: See page 9
support finish: See see page 10

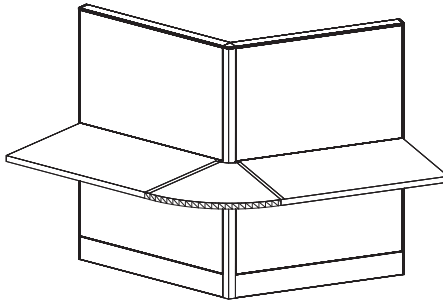
ORDER EXAMPLE

product #: FHEQWS.24L
edge finish: E1
worksurface finish: M1
support finish: CW

QUARTER ROUND TOPS

PART #	HEIGHT	DEPTH	PRICE	NOTES
FHEQWS.24L	1.25"	24"	\$482	• Notched for 2 Way

120 ° WEDGE Top



DESCRIPTION

This Worksurface attaches to the end of two worksurfaces at a 120 ° angle (as shown in image). It has a laminate top, and a PVC edge. Attachment hardware included

NOTES

- Ships unassembled
- Includes (1) pair shared cantilevers & mending plates

SPECIFICATION OPTIONS

product #: see charts below
edge finish: 3MM PVC, See page 9
worksurface finish: See page 9
support finish: See page 10

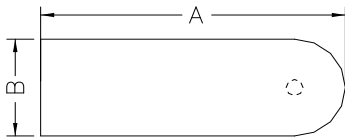
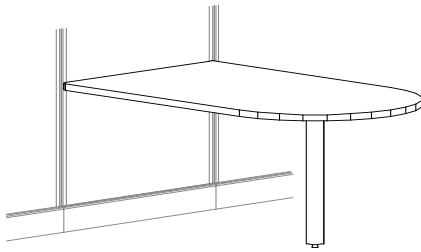
ORDER EXAMPLE

product #: FH120QWG.24
edge finish: E1
worksurface finish: M1
support finish: CW

120° WEDGE TOPS

PART #	HEIGHT	DEPTH	PRICE	NOTES
FH120WDG.24	1.25"	24"	\$ 482	• Notched for 2 Way

Square Edge D-Shaped



DESCRIPTION

Worksurface hangs from a panel or wall strips. It has a laminate top and a PVC edge. There is a 7/8" gap at the back of the worksurface for plug and cord passage. Includes one support column leg.

NOTES

- Support column leg has a leveling glide and attaching hardware
- Ships knocked down
- Column leg finish matches support.
- Mending plates are included with rectangular worksurfaces only.
- Order mending plates separately if placing this worksurface next to another non-rectangular worksurface

SPECIFICATION OPTIONS

product #: see charts below
worksurface finish: see page 9
edge finish: see page 9
support finish: page 10

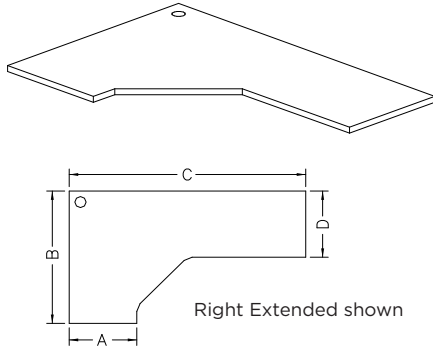
ORDER EXAMPLE

product #: FHEDSP.2448L
worksurface finish: M1 Light Maple
edge finish: E1 Light Maple
support finish: CW, Cloud White

SQUARE EDGE D-SHAPED

PART #	HEIGHT	A	B	C	D	WT. (LBS)	LIST
FHEDSP.2448L	29"	48"	24"	—	—	62	\$565
FHEDSP.3048L	29"	48"	30"	—	—	72	\$618
FHEDSP.2460L	29"	60"	24"	—	—	73	\$628
FHEDSP.3060L	29"	60"	30"	—	—	87	\$685
FHEDSP.3072L	29"	72"	30"	—	—	101	\$749
FHEDSP.3672L	29"	72"	36"	—	—	117	\$826

90° Extended Notched Corner



DESCRIPTION

Worksurface hangs from a panel or wall strips. It has a laminate top and a PVC edge. There is a 7/8" gap at the back of the worksurface for plug and cord passage. 60" to 84" worksurfaces have a center support.

SPECIFICATION OPTIONS

product #: see charts below
worksurface finish: see page 9
edge finish: see page 9
support finish: page 10
left or right extended: L for Left, R for Right

NOTES

- Includes one wire grommet, cantilever brackets, one corner bracket, and attachment hardware
- Specify L for left extended, and R for right extended.
- Mending plates are included with rectangular worksurfaces only.
- Order mending plates separately if placing this worksurface next to another non-rectangular worksurface

ORDER EXAMPLE

product #: FHENCWS.24363024L
worksurface finish: M1 Light Maple
edge finish: E1, Light Maple
support finish: Cloud White
left or right extended: L

When ordering a worksurface spanning a panel and a 3-Way, or two panels with a 3-Way in between the panels, you will need to:

- add 3.5" to the length of the worksurface
- add "-3W" to the part number
- add \$80 to the list price

Please note: the extension can only be added to the "C" side

24" D CONNECTING SIDE 24" D EXTENSION 36" D

PART #	HEIGHT	A	B	C	D	WT. (LBS)	LIST
FHENCWS.24366024L	1.25"	24"	36"	60"	24"	74	\$661
FHENCWS.24366024R	1.25"	24"	36"	60"	24"	74	\$661
FHENCWS.24366624L	1.25"	24"	36"	66"	24"	81	\$737
FHENCWS.24366624R	1.25"	24"	36"	66"	24"	81	\$737
FHENCWS.24367224L	1.25"	24"	36"	72"	24"	87	\$748
FHENCWS.24367224R	1.25"	24"	36"	72"	24"	87	\$748
FHENCWS.24367824L	1.25"	24"	36"	78"	24"	93	\$897
FHENCWS.24367824R	1.25"	24"	36"	78"	24"	93	\$897
FHENCWS.24368424L	1.25"	24"	36"	84"	24"	99	\$906
FHENCWS.24368424R	1.25"	24"	36"	84"	24"	99	\$906

90° Extended Notched Corner / continued

**30" D CONNECTING SIDE
30" D EXTENSION
36" D**

PART #	HEIGHT	A	B	C	D	WT. (LBS)	LIST
FHENCWS.30366030L	1.25"	30"	36"	60"	30"	88	\$724
FHENCWS.30366030R	1.25"	30"	36"	60"	30"	88	\$724
FHENCWS.30366630L	1.25"	30"	36"	66"	30"	95	\$798
FHENCWS.30366630R	1.25"	30"	36"	66"	30"	95	\$798
FHENCWS.30367230L	1.25"	30"	36"	72"	30"	102	\$809
FHENCWS.30367230R	1.25"	30"	36"	72"	30"	102	\$809
FHENCWS.30367830L	1.25"	30"	36"	78"	30"	110	\$959
FHENCWS.30367830R	1.25"	30"	36"	78"	30"	110	\$959
FHENCWS.30368430L	1.25"	30"	36"	84"	30"	117	\$967
FHENCWS.30368430R	1.25"	30"	36"	84"	30"	117	\$967

**24" D CONNECTING SIDE
24" D EXTENSION
42" D**

PART #	HEIGHT	A	B	C	D	WT. (LBS)	LIST
FHENCWS.24426024L	1.25"	24"	42"	60"	24"	84	\$796
FHENCWS.24426024R	1.25"	24"	42"	60"	24"	84	\$796
FHENCWS.24426624L	1.25"	24"	42"	66"	24"	91	\$895
FHENCWS.24426624R	1.25"	24"	42"	66"	24"	91	\$895
FHENCWS.24427224L	1.25"	24"	42"	72"	24"	97	\$908
FHENCWS.24427224R	1.25"	24"	42"	72"	24"	97	\$908
FHENCWS.24427824L	1.25"	24"	42"	78"	24"	103	\$1,100
FHENCWS.24427824R	1.25"	24"	42"	78"	24"	103	\$1,100
FHENCWS.24428424L	1.25"	24"	42"	84"	24"	109	\$1,114
FHENCWS.24428424R	1.25"	24"	42"	84"	24"	109	\$1,114

**30" D CONNECTING SIDE
30" D EXTENSION
42" D**

PART #	HEIGHT	A	B	C	D	WT. (LBS)	LIST
FHENCWS.30426030L	1.25"	30"	42"	60"	30"	98	\$857
FHENCWS.30426030R	1.25"	30"	42"	60"	30"	98	\$857
FHENCWS.30426630L	1.25"	30"	42"	66"	30"	106	\$957
FHENCWS.30426630R	1.25"	30"	42"	66"	30"	106	\$957
FHENCWS.30427230L	1.25"	30"	42"	72"	30"	112	\$969
FHENCWS.30427230R	1.25"	30"	42"	72"	30"	112	\$969
FHENCWS.30427830L	1.25"	30"	42"	78"	30"	122	\$1,162
FHENCWS.30427830R	1.25"	30"	42"	78"	30"	122	\$1,162
FHENCWS.30428430L	1.25"	30"	42"	84"	30"	127	\$1,176
FHENCWS.30428430R	1.25"	30"	42"	84"	30"	127	\$1,176

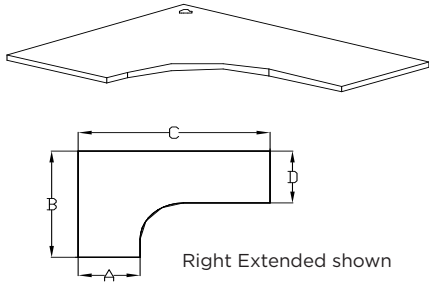
**24" D CONNECTING SIDE
24" D EXTENSION
48" D**

PART #	HEIGHT	A	B	C	D	WT. (LBS)	LIST
FHENCWS.24486024L	1.25"	24"	48"	60"	24"	93	\$807
FHENCWS.24486024R	1.25"	24"	48"	60"	24"	93	\$807
FHENCWS.24486624L	1.25"	24"	48"	66"	24"	99	\$908
FHENCWS.24486624R	1.25"	24"	48"	66"	24"	99	\$908
FHENCWS.24487224L	1.25"	24"	48"	72"	24"	104	\$928
FHENCWS.24487224R	1.25"	24"	48"	72"	24"	104	\$928
FHENCWS.24487824L	1.25"	24"	48"	78"	24"	110	\$1,131
FHENCWS.24487824R	1.25"	24"	48"	78"	24"	110	\$1,131
FHENCWS.24488424L	1.25"	24"	48"	84"	24"	116	\$1,137
FHENCWS.24488424R	1.25"	24"	48"	84"	24"	116	\$1,137

**30" D CONNECTING SIDE
30" D EXTENSION
48" D**

PART #	HEIGHT	A	B	C	D	WT. (LBS)	LIST
FHENCWS.30486030L	1.25"	30"	48"	60"	30"	108	\$869
FHENCWS.30486030R	1.25"	30"	48"	60"	30"	108	\$869
FHENCWS.30486630L	1.25"	30"	48"	66"	30"	116	\$969
FHENCWS.30486630R	1.25"	30"	48"	66"	30"	116	\$969
FHENCWS.30487230L	1.25"	30"	48"	72"	30"	123	\$991
FHENCWS.30487230R	1.25"	30"	48"	72"	30"	123	\$991
FHENCWS.30487830L	1.25"	30"	48"	78"	30"	134	\$1,192
FHENCWS.30487830R	1.25"	30"	48"	78"	30"	134	\$1,192
FHENCWS.30488430L	1.25"	30"	48"	84"	30"	146	\$1,199
FHENCWS.30488430R	1.25"	30"	48"	84"	30"	146	\$1,199

90° Extended Curved Corner



DESCRIPTION

Worksurface hangs from a panel or wall strips. It has a laminate top and a PVC edge. There is a 7/8" gap at the back of the worksurface for plug and cord passage. 60" to 84" worksurfaces have a center support.

NOTES

- Includes one wire grommet, cantilever brackets, one corner bracket, and attachment hardware
- Specify L for left extended, and R for right extended.
- Mending plates are included with rectangular worksurfaces only.
- Order mending plates separately if placing this worksurface next to another non-rectangular worksurface

When ordering a worksurface spanning a panel and a 3-Way, or 2 panels with a 3-Way in between the panels, you will need to:

- add 3.5" to the length of the worksurface
 - add "-3W" to the part number
 - add \$80 to the list price
- Please note: the extension can only be added to the "C" side

SPECIFICATION OPTIONS

product #: see charts below
worksurface finish: see page 9
edge finish: see page 9
support finish: page 10
left or right extended: L for Left, R for Right

ORDER EXAMPLE

product #: FHECCWWS.24366024L
worksurface finish: M1 Light Maple
edge finish: E1, Light Maple
support finish: Cloud White
left or right extended: L

24" D CONNECTING SIDE 24" D EXTENSION 36" D

PART #	HEIGHT	A	B	C	D	WT. (LBS)	LIST
FHECCWS.24366024L	1.25"	24"	36"	60"	24"	76	\$661
FHECCWS.24366024R	1.25"	24"	36"	60"	24"	76	\$661
FHECCWS.24366624L	1.25"	24"	36"	66"	24"	82	\$737
FHECCWS.24366624R	1.25"	24"	36"	66"	24"	82	\$737
FHECCWS.24367224L	1.25"	24"	36"	72"	24"	88	\$748
FHECCWS.24367224R	1.25"	24"	36"	72"	24"	88	\$748
FHECCWS.24367824L	1.25"	24"	36"	78"	24"	94	\$897
FHECCWS.24367824R	1.25"	24"	36"	78"	24"	94	\$897
FHECCWS.24368424L	1.25"	24"	36"	84"	24"	100	\$906
FHECCWS.24368424R	1.25"	24"	36"	84"	24"	100	\$906

**30" D CONNECTING SIDE
30" D EXTENSION
36" D**

PART #	HEIGHT	A	B	C	D	WT. (LBS)	LIST
FHECCWS.30366030L	1.25"	30"	36"	60"	30"	87	\$724
FHECCWS.30366030R	1.25"	30"	36"	60"	30"	87	\$724
FHECCWS.30366630L	1.25"	30"	36"	66"	30"	95	\$798
FHECCWS.30366630R	1.25"	30"	36"	66"	30"	95	\$798
FHECCWS.30367230L	1.25"	30"	36"	72"	30"	102	\$809
FHECCWS.30367230R	1.25"	30"	36"	72"	30"	102	\$809
FHECCWS.30367830L	1.25"	30"	36"	78"	30"	110	\$959
FHECCWS.30367830R	1.25"	30"	36"	78"	30"	110	\$959
FHECCWS.30368430L	1.25"	30"	36"	84"	30"	117	\$967
FHECCWS.30368430R	1.25"	30"	36"	84"	30"	117	\$967

**24" D CONNECTING SIDE
24" D EXTENSION
42" D**

PART #	HEIGHT	A	B	C	D	WT. (LBS)	LIST
FHECCWS.24426024L	1.25"	24"	42"	60"	24"	83	\$796
FHECCWS.24426024R	1.25"	24"	42"	60"	24"	83	\$796
FHECCWS.24426624L	1.25"	24"	42"	66"	24"	89	\$895
FHECCWS.24426624R	1.25"	24"	42"	66"	24"	89	\$895
FHECCWS.24427224L	1.25"	24"	42"	72"	24"	95	\$908
FHECCWS.24427224R	1.25"	24"	42"	72"	24"	95	\$908
FHECCWS.24427824L	1.25"	24"	42"	78"	24"	101	\$1,100
FHECCWS.24427824R	1.25"	24"	42"	78"	24"	101	\$1,100
FHECCWS.24428424L	1.25"	24"	42"	84"	24"	106	\$1,114
FHECCWS.24428424R	1.25"	24"	42"	84"	24"	106	\$1,114

**30" D CONNECTING SIDE
30" D EXTENSION
42" D**

PART #	HEIGHT	A	B	C	D	WT. (LBS)	LIST
FHECCWS.30426030L	1.25"	30"	42"	60"	30"	95	\$857
FHECCWS.30426030R	1.25"	30"	42"	60"	30"	95	\$857
FHECCWS.30426630L	1.25"	30"	42"	66"	30"	103	\$957
FHECCWS.30426630R	1.25"	30"	42"	66"	30"	103	\$957
FHECCWS.30427230L	1.25"	30"	42"	72"	30"	110	\$969
FHECCWS.30427230R	1.25"	30"	42"	72"	30"	110	\$969
FHECCWS.30427830L	1.25"	30"	42"	78"	30"	118	\$1,162
FHECCWS.30427830R	1.25"	30"	42"	78"	30"	118	\$1,162
FHECCWS.30428430L	1.25"	30"	42"	84"	30"	125	\$1,176
FHECCWS.30428430R	1.25"	30"	42"	84"	30"	125	\$1,176

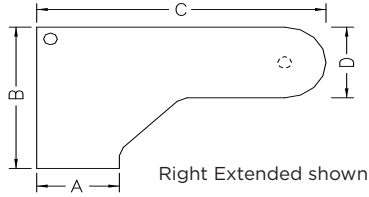
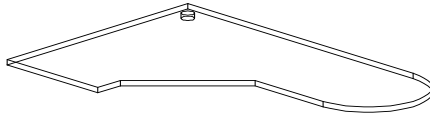
90° Extended Curved Corner / continued**24" D CONNECTING SIDE
24" D EXTENSION
48" D**

PART #	HEIGHT	A	B	C	D	WT. (LBS)	LIST
FHECCWS.24486024L	1.25"	24"	48"	60"	24"	89	\$807
FHECCWS.24486024R	1.25"	24"	48"	60"	24"	89	\$807
FHECCWS.24486624L	1.25"	24"	48"	66"	24"	95	\$908
FHECCWS.24486624R	1.25"	24"	48"	66"	24"	95	\$908
FHECCWS.24487224L	1.25"	24"	48"	72"	24"	101	\$928
FHECCWS.24487224R	1.25"	24"	48"	72"	24"	101	\$928
FHECCWS.24487824L	1.25"	24"	48"	78"	24"	107	\$1,131
FHECCWS.24487824R	1.25"	24"	48"	78"	24"	107	\$1,131
FHECCWS.24488424L	1.25"	24"	48"	84"	24"	112	\$1,137
FHECCWS.24488424R	1.25"	24"	48"	84"	24"	112	\$1,137

**30" D CONNECTING SIDE
30" D EXTENSION
48" D**

PART #	HEIGHT	A	B	C	D	WT. (LBS)	LIST
FHECCWS.30486030L	1.25"	30"	48"	60"	30"	104	\$869
FHECCWS.30486030R	1.25"	30"	48"	60"	30"	104	\$869
FHECCWS.30486630L	1.25"	30"	48"	66"	30"	112	\$969
FHECCWS.30486630R	1.25"	30"	48"	66"	30"	112	\$969
FHECCWS.30487230L	1.25"	30"	48"	72"	30"	119	\$991
FHECCWS.30487230R	1.25"	30"	48"	72"	30"	119	\$991
FHECCWS.30487830L	1.25"	30"	48"	78"	30"	126	\$1,192
FHECCWS.30487830R	1.25"	30"	48"	78"	30"	126	\$1,192
FHECCWS.30488430L	1.25"	30"	48"	84"	30"	133	\$1,199
FHECCWS.30488430R	1.25"	30"	48"	84"	30"	133	\$1,199

90° Extended Notched Corner Peninsula



DESCRIPTION

Worksurface hangs from a panel or wall strips. It has a laminate top and a PVC edge. There is a 7/8" gap at the back of the worksurface for plug and cord passage.

SPECIFICATION OPTIONS

product #: see charts below
worksurface finish: see page 9
edge finish: see page 9
support finish: page 10
left or right extended: L for Left, R for Right

NOTES

- Includes one wire grommet, cantilever brackets, one corner bracket, and attachment hardware
- Specify L for left extended, and R for right extended
- Includes one support column leg
- Column leg finish matches support
- Mending plates are included with rectangular worksurfaces only.
- Order mending plates separately if placing this worksurface next to another non-rectangular worksurface

ORDER EXAMPLE

product #: FHENCPWS.24366024L
worksurface finish: M1 Light Maple
edge finish: E1 Light Maple
support finish: CW, Cloud White
left or right extended: L

24" D CONNECTING SIDE 24" D EXTENSION 36" D

PART #	HEIGHT	A	B	C	D	WT. (LBS)	LIST
FHENCPWS.24366024L	1.25"	24"	36"	60"	24"	89	\$906
FHENCPWS.24366024R	1.25"	24"	36"	60"	24"	89	\$906
FHENCPWS.24366624L	1.25"	24"	36"	66"	24"	95	\$995
FHENCPWS.24366624R	1.25"	24"	36"	66"	24"	95	\$995
FHENCPWS.24367224L	1.25"	24"	36"	72"	24"	101	\$1,016
FHENCPWS.24367224R	1.25"	24"	36"	72"	24"	101	\$1,016
FHENCPWS.24367824L	1.25"	24"	36"	78"	24"	107	\$1,179
FHENCPWS.24367824R	1.25"	24"	36"	78"	24"	107	\$1,179
FHENCPWS.24368424L	1.25"	24"	36"	84"	24"	112	\$1,203
FHENCPWS.24368424R	1.25"	24"	36"	84"	24"	112	\$1,203

24" D CONNECTING SIDE 24" D EXTENSION 42" D

PART #	HEIGHT	A	B	C	D	WT. (LBS)	LIST
FHENCPWS.24426024L	1.25"	24"	42"	60"	24"	97	\$1,029
FHENCPWS.24426024R	1.25"	24"	42"	60"	24"	97	\$1,029
FHENCPWS.24426624L	1.25"	24"	42"	66"	24"	103	\$1,141
FHENCPWS.24426624R	1.25"	24"	42"	66"	24"	103	\$1,141
FHENCPWS.24427224L	1.25"	24"	42"	72"	24"	109	\$1,162
FHENCPWS.24427224R	1.25"	24"	42"	72"	24"	109	\$1,162
FHENCPWS.24427824L	1.25"	24"	42"	78"	24"	114	\$1,411
FHENCPWS.24427824R	1.25"	24"	42"	78"	24"	114	\$1,411
FHENCPWS.24428424L	1.25"	24"	42"	84"	24"	120	\$1,418
FHENCPWS.24428424R	1.25"	24"	42"	84"	24"	120	\$1,418

90° Extended Notched Corner Peninsula / continued

24" D CONNECTING SIDE
24" D EXTENSION
48" D

PART #	HEIGHT	A	B	C	D	WT. (LBS)	LIST
FHENCPCS.24486024L	1.25"	24"	48"	60"	24"	104	\$1,035
FHENCPCS.24486024R	1.25"	24"	48"	60"	24"	104	\$1,035
FHENCPCS.24486624L	1.25"	24"	48"	66"	24"	110	\$1,147
FHENCPCS.24486624R	1.25"	24"	48"	66"	24"	110	\$1,147
FHENCPCS.24487224L	1.25"	24"	48"	72"	24"	116	\$1,168
FHENCPCS.24487224R	1.25"	24"	48"	72"	24"	116	\$1,168
FHENCPCS.24487824L	1.25"	24"	48"	78"	24"	121	\$1,418
FHENCPCS.24487824R	1.25"	24"	48"	78"	24"	121	\$1,418
FHENCPCS.24488424L	1.25"	24"	48"	84"	24"	127	\$1,423
FHENCPCS.24488424R	1.25"	24"	48"	84"	24"	127	\$1,423

24" D CONNECTING SIDE
30" D EXTENSION
36" D

PART #	HEIGHT	A	B	C	D	WT. (LBS)	LIST
FHENCPCS.24366030L	1.25"	24"	36"	60"	30"	94	\$749
FHENCPCS.24366030R	1.25"	24"	36"	60"	30"	94	\$749
FHENCPCS.24366630L	1.25"	24"	36"	66"	30"	102	\$822
FHENCPCS.24366630R	1.25"	24"	36"	66"	30"	102	\$822
FHENCPCS.24367230L	1.25"	24"	36"	72"	30"	109	\$839
FHENCPCS.24367230R	1.25"	24"	36"	72"	30"	109	\$839
FHENCPCS.24367830L	1.25"	24"	36"	78"	30"	116	\$974
FHENCPCS.24367830R	1.25"	24"	36"	78"	30"	116	\$974
FHENCPCS.24368430L	1.25"	24"	36"	84"	30"	123	\$994
FHENCPCS.24368430R	1.25"	24"	36"	84"	30"	123	\$994

24" D CONNECTING SIDE
30" D EXTENSION
42" D

PART #	HEIGHT	A	B	C	D	WT. (LBS)	LIST
FHENCPCS.24426030L	1.25"	24"	42"	60"	30"	102	\$1,029
FHENCPCS.24426030R	1.25"	24"	42"	60"	30"	102	\$1,029
FHENCPCS.24426630L	1.25"	24"	42"	66"	30"	110	\$1,141
FHENCPCS.24426630R	1.25"	24"	42"	66"	30"	110	\$1,141
FHENCPCS.24427230L	1.25"	24"	42"	72"	30"	117	\$1,162
FHENCPCS.24427230R	1.25"	24"	42"	72"	30"	117	\$1,162
FHENCPCS.24427830L	1.25"	24"	42"	78"	30"	124	\$1,411
FHENCPCS.24427830R	1.25"	24"	42"	78"	30"	124	\$1,411
FHENCPCS.24428430L	1.25"	24"	42"	84"	30"	131	\$1,418
FHENCPCS.24428430R	1.25"	24"	42"	84"	30"	131	\$1,418

**24" D CONNECTING SIDE
30" D EXTENSION
48" D**

PART #	HEIGHT	A	B	C	D	WT. (LBS)	LIST
FHENC PWS.24486030L	1.25"	24"	48"	60"	30"	111	\$1,035
FHENC PWS.24486030R	1.25"	24"	48"	60"	30"	111	\$1,035
FHENC PWS.24486630L	1.25"	24"	48"	66"	30"	119	\$1,147
FHENC PWS.24486630R	1.25"	24"	48"	66"	30"	119	\$1,147
FHENC PWS.24487230L	1.25"	24"	48"	72"	30"	126	\$1,168
FHENC PWS.24487230R	1.25"	24"	48"	72"	30"	126	\$1,168
FHENC PWS.24487830L	1.25"	24"	48"	78"	30"	133	\$1,418
FHENC PWS.24487830R	1.25"	24"	48"	78"	30"	133	\$1,418
FHENC PWS.24488430L	1.25"	24"	48"	84"	30"	140	\$1,423
FHENC PWS.24488430R	1.25"	24"	48"	84"	30"	140	\$1,423

**30" D CONNECTING SIDE
30" D EXTENSION
36" D**

PART #	HEIGHT	A	B	C	D	WT. (LBS)	LIST
FHENC PWS.30366030L	1.25"	30"	36"	60"	30"	95	\$967
FHENC PWS.30366030R	1.25"	30"	36"	60"	30"	95	\$967
FHENC PWS.30366630L	1.25"	30"	36"	66"	30"	103	\$1,057
FHENC PWS.30366630R	1.25"	30"	36"	66"	30"	103	\$1,057
FHENC PWS.30367230L	1.25"	30"	36"	72"	30"	110	\$1,079
FHENC PWS.30367230R	1.25"	30"	36"	72"	30"	110	\$1,079
FHENC PWS.30367830L	1.25"	30"	36"	78"	30"	118	\$1,241
FHENC PWS.30367830R	1.25"	30"	36"	78"	30"	118	\$1,241
FHENC PWS.30368430L	1.25"	30"	36"	84"	30"	125	\$1,266
FHENC PWS.30368430R	1.25"	30"	36"	84"	30"	125	\$1,266

**30" D CONNECTING SIDE
30" D EXTENSION
42" D**

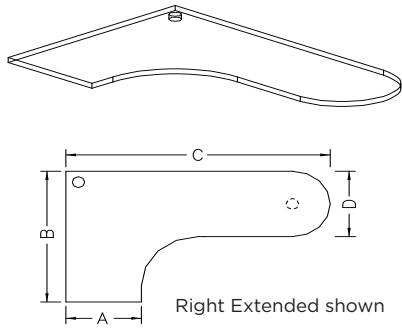
PART #	HEIGHT	A	B	C	D	WT. (LBS)	LIST
FHENC PWS.30426030L	1.25"	30"	42"	60"	30"	106	\$1,091
FHENC PWS.30426030R	1.25"	30"	42"	60"	30"	106	\$1,091
FHENC PWS.30426630L	1.25"	30"	42"	66"	30"	114	\$1,204
FHENC PWS.30426630R	1.25"	30"	42"	66"	30"	114	\$1,204
FHENC PWS.30427230L	1.25"	30"	42"	72"	30"	121	\$1,225
FHENC PWS.30427230R	1.25"	30"	42"	72"	30"	121	\$1,225
FHENC PWS.30427830L	1.25"	30"	42"	78"	30"	128	\$1,435
FHENC PWS.30427830R	1.25"	30"	42"	78"	30"	128	\$1,435
FHENC PWS.30428430L	1.25"	30"	42"	84"	30"	135	\$1,459
FHENC PWS.30428430R	1.25"	30"	42"	84"	30"	135	\$1,459

90° Extended Notched Corner Peninsula / continued

30" D CONNECTING SIDE
30" D EXTENSION
48" D

PART #	HEIGHT	A	B	C	D	WT. (LBS)	LIST
FHENCPCS.30486030L	1.25"	30"	48"	60"	30"	116	\$1,098
FHENCPCS.30486030R	1.25"	30"	48"	60"	30"	116	\$1,098
FHENCPCS.30486630L	1.25"	30"	48"	66"	30"	124	\$1,210
FHENCPCS.30486630R	1.25"	30"	48"	66"	30"	124	\$1,210
FHENCPCS.30487230L	1.25"	30"	48"	72"	30"	131	\$1,231
FHENCPCS.30487230R	1.25"	30"	48"	72"	30"	131	\$1,231
FHENCPCS.30487830L	1.25"	30"	48"	78"	30"	138	\$1,439
FHENCPCS.30487830R	1.25"	30"	48"	78"	30"	138	\$1,439
FHENCPCS.30488430L	1.25"	30"	48"	84"	30"	144	\$1,465
FHENCPCS.30488430R	1.25"	30"	48"	84"	30"	144	\$1,465

Extended Curved Corner Peninsula Worksurface



DESCRIPTION

Worksurface hangs from a panel or wall strips. It has a laminate top and a PVC edge. There is a 7/8" gap at the back of the worksurface for plug and cord passage.

SPECIFICATION OPTIONS

product #: see charts below
worksurface finish: see page 9
edge finish: see page 9
support finish: page 10
left or right extended: L for Left, R for Right

NOTES

- Includes one wire grommet, cantilever brackets, one corner bracket, and attachment hardware
- Specify L for left extended, and R for right extended
- Includes one support column leg
- Column leg finish matches support
- Mending plates are included with rectangular worksurfaces only.
- Order mending plates separately if placing this worksurface next to another non-rectangular worksurface

ORDER EXAMPLE

product #: FHECCPWS.24366024L
worksurface finish: M1 Light Maple
edge finish: E1 Light Maple
support finish: Cloud White
left or right extended: L

24" D CONNECTING SIDE 24" D EXTENSION 36" D

PART #	HEIGHT	A	B	C	D	WT. (LBS)	LIST
FHECCPWS.24366024L	1.25"	24"	36"	60"	24"	87	\$906
FHECCPWS.24366024R	1.25"	24"	36"	60"	24"	87	\$906
FHECCPWS.24366624L	1.25"	24"	36"	66"	24"	93	\$995
FHECCPWS.24366624R	1.25"	24"	36"	66"	24"	93	\$995
FHECCPWS.24367224L	1.25"	24"	36"	72"	24"	99	\$1,016
FHECCPWS.24367224R	1.25"	24"	36"	72"	24"	99	\$1,016
FHECCPWS.24367824L	1.25"	24"	36"	78"	24"	105	\$1,179
FHECCPWS.24367824R	1.25"	24"	36"	78"	24"	105	\$1,179
FHECCPWS.24368424L	1.25"	24"	36"	84"	24"	110	\$1,203
FHECCPWS.24368424R	1.25"	24"	36"	84"	24"	110	\$1,203

24" D CONNECTING SIDE 30" D EXTENSION 36" D

PART #	HEIGHT	A	B	C	D	WT. (LBS)	LIST
FHECCPWS.24366030L	1.25"	24"	36"	60"	30"	94	\$906
FHECCPWS.24366030R	1.25"	24"	36"	60"	30"	94	\$906
FHECCPWS.24366630L	1.25"	24"	36"	66"	30"	101	\$995
FHECCPWS.24366630R	1.25"	24"	36"	66"	30"	101	\$995
FHECCPWS.24367230L	1.25"	24"	36"	72"	30"	108	\$1,016
FHECCPWS.24367230R	1.25"	24"	36"	72"	30"	108	\$1,016
FHECCPWS.24367830L	1.25"	24"	36"	78"	30"	115	\$1,179
FHECCPWS.24367830R	1.25"	24"	36"	78"	30"	115	\$1,179
FHECCPWS.24368430L	1.25"	24"	36"	84"	30"	123	\$1,203
FHECCPWS.24368430R	1.25"	24"	36"	84"	30"	123	\$1,203

Extended Curved Corner Peninsula / continued

**24" D CONNECTING SIDE
24" D EXTENSION
48" D**

PART #	HEIGHT	A	B	C	D	WT. (LBS)	LIST
FHECCPWS.24486024L	1.25"	24"	48"	60"	24"	101	\$1,035
FHECCPWS.24486024R	1.25"	24"	48"	60"	24"	101	\$1,035
FHECCPWS.24486624L	1.25"	24"	48"	66"	24"	107	\$1,147
FHECCPWS.24486624R	1.25"	24"	48"	66"	24"	107	\$1,147
FHECCPWS.24487224L	1.25"	24"	48"	72"	24"	112	\$1,168
FHECCPWS.24487224R	1.25"	24"	48"	72"	24"	112	\$1,168
FHECCPWS.24487824L	1.25"	24"	48"	78"	24"	118	\$1,418
FHECCPWS.24487824R	1.25"	24"	48"	78"	24"	118	\$1,418
FHECCPWS.24488424L	1.25"	24"	48"	84"	24"	124	\$1,423
FHECCPWS.24488424R	1.25"	24"	48"	84"	24"	124	\$1,423

**24" D CONNECTING SIDE
30" D EXTENSION
48" D**

PART #	HEIGHT	A	B	C	D	WT. (LBS)	LIST
FHECCPWS.24486030L	1.25"	24"	48"	60"	30"	107	\$1,035
FHECCPWS.24486030R	1.25"	24"	48"	60"	30"	107	\$1,035
FHECCPWS.24486630L	1.25"	24"	48"	66"	30"	113	\$1,147
FHECCPWS.24486630R	1.25"	24"	48"	66"	30"	113	\$1,147
FHECCPWS.24487230L	1.25"	24"	48"	72"	30"	118	\$1,168
FHECCPWS.24487230R	1.25"	24"	48"	72"	30"	118	\$1,168
FHECCPWS.24487830L	1.25"	24"	48"	78"	30"	124	\$1,418
FHECCPWS.24487830R	1.25"	24"	48"	78"	30"	124	\$1,418
FHECCPWS.24488430L	1.25"	24"	48"	84"	30"	129	\$1,423
FHECCPWS.24488430R	1.25"	24"	48"	84"	30"	129	\$1,423

**24" D CONNECTING SIDE
24" D EXTENSION
42" D**

PART #	HEIGHT	A	B	C	D	WT. (LBS)	LIST
FHECCPWS.24426024L	1.25"	24"	42"	60"	24"	94	\$1,029
FHECCPWS.24426024R	1.25"	24"	42"	60"	24"	94	\$1,029
FHECCPWS.24426624L	1.25"	24"	42"	66"	24"	100	\$1,141
FHECCPWS.24426624R	1.25"	24"	42"	66"	24"	100	\$1,141
FHECCPWS.24427224L	1.25"	24"	42"	72"	24"	106	\$1,162
FHECCPWS.24427224R	1.25"	24"	42"	72"	24"	106	\$1,162
FHECCPWS.24427824L	1.25"	24"	42"	78"	24"	111	\$1,411
FHECCPWS.24427824R	1.25"	24"	42"	78"	24"	111	\$1,411
FHECCPWS.24428424L	1.25"	24"	42"	84"	24"	116	\$1,418
FHECCPWS.24428424R	1.25"	24"	42"	84"	24"	116	\$1,418

**24" D CONNECTING SIDE
30" D EXTENSION
42" D**

PART #	HEIGHT	A	B	C	D	WT. (LBS)	LIST
FHECCPWS.24426030L	1.25"	24"	42"	60"	30"	100	\$1,029
FHECCPWS.24426030R	1.25"	24"	42"	60"	30"	100	\$1,029
FHECCPWS.24426630L	1.25"	24"	42"	66"	30"	107	\$1,141
FHECCPWS.24426630R	1.25"	24"	42"	66"	30"	107	\$1,141
FHECCPWS.24427230L	1.25"	24"	42"	72"	30"	113	\$1,162
FHECCPWS.24427230R	1.25"	24"	42"	72"	30"	113	\$1,162
FHECCPWS.24427830L	1.25"	24"	42"	78"	30"	120	\$1,411
FHECCPWS.24427830R	1.25"	24"	42"	78"	30"	120	\$1,411
FHECCPWS.24428430L	1.25"	24"	42"	84"	30"	126	\$1,418
FHECCPWS.24428430R	1.25"	24"	42"	84"	30"	126	\$1,418

**30" D CONNECTING SIDE
30" D EXTENSION
36" D**

PART #	HEIGHT	A	B	C	D	WT. (LBS)	LIST
FHECCPWS.30366030L	1.25"	30"	36"	60"	30"	95	\$967
FHECCPWS.30366030R	1.25"	30"	36"	60"	30"	95	\$967
FHECCPWS.30366630L	1.25"	30"	36"	66"	30"	103	\$1,057
FHECCPWS.30366630R	1.25"	30"	36"	66"	30"	103	\$1,057
FHECCPWS.30367230L	1.25"	30"	36"	72"	30"	110	\$1,079
FHECCPWS.30367230R	1.25"	30"	36"	72"	30"	110	\$1,079
FHECCPWS.30367830L	1.25"	30"	36"	78"	30"	117	\$1,241
FHECCPWS.30367830R	1.25"	30"	36"	78"	30"	117	\$1,241
FHECCPWS.30368430L	1.25"	30"	36"	84"	30"	124	\$1,266
FHECCPWS.30368430R	1.25"	30"	36"	84"	30"	124	\$1,266

**30" D CONNECTING SIDE
30" D EXTENSION
42" D**

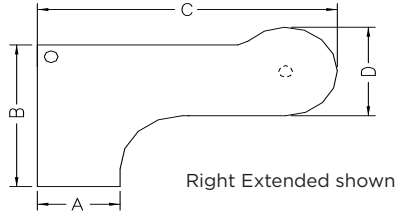
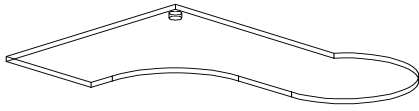
PART #	HEIGHT	A	B	C	D	WT. (LBS)	LIST
FHECCPWS.30426030L	1.25"	30"	42"	60"	30"	101	\$1,091
FHECCPWS.30426030R	1.25"	30"	42"	60"	30"	101	\$1,091
FHECCPWS.30426630L	1.25"	30"	42"	66"	30"	108	\$1,204
FHECCPWS.30426630R	1.25"	30"	42"	66"	30"	108	\$1,204
FHECCPWS.30427230L	1.25"	30"	42"	72"	30"	114	\$1,225
FHECCPWS.30427230R	1.25"	30"	42"	72"	30"	114	\$1,225
FHECCPWS.30427830L	1.25"	30"	42"	78"	30"	120	\$1,435
FHECCPWS.30427830R	1.25"	30"	42"	78"	30"	120	\$1,435
FHECCPWS.30428430L	1.25"	30"	42"	84"	30"	127	\$1,459
FHECCPWS.30428430R	1.25"	30"	42"	84"	30"	127	\$1,459

Extended Curved Corner Peninsula / continued

30" D CONNECTING SIDE
30" D EXTENSION
48" D

PART #	HEIGHT	A	B	C	D	WT. (LBS)	LIST
FHECCPWS.30486030L	1.25"	30"	48"	60"	30"	107	\$1,098
FHECCPWS.30486030R	1.25"	30"	48"	60"	30"	107	\$1,098
FHECCPWS.30486630L	1.25"	30"	48"	66"	30"	113	\$1,210
FHECCPWS.30486630R	1.25"	30"	48"	66"	30"	113	\$1,210
FHECCPWS.30487230L	1.25"	30"	48"	72"	30"	118	\$1,231
FHECCPWS.30487230R	1.25"	30"	48"	72"	30"	118	\$1,231
FHECCPWS.30487830L	1.25"	30"	48"	78"	30"	124	\$1,439
FHECCPWS.30487830R	1.25"	30"	48"	78"	30"	124	\$1,439
FHECCPWS.30488430L	1.25"	30"	48"	84"	30"	129	\$1,465
FHECCPWS.30488430R	1.25"	30"	48"	84"	30"	129	\$1,465

Extended Curved Corner P-Shape Peninsula Worksurface



DESCRIPTION

Worksurface hangs from a panel or wall strips. It has a laminate top and a PVC edge. There is a 7/8" gap at the back of the worksurface for plug and cord passage.

SPECIFICATION OPTIONS

product #: see charts below
worksurface finish: see page 9
edge finish: see page 9
support finish: page 10
left or right extended: L for Left, R for Right

NOTES

- Includes one wire grommet, cantilever brackets, one corner bracket, and attachment hardware
- Specify L for left extended, and R for right extended
- Includes one support column leg
- Column leg finish matches support
- Mending plates are included with rectangular worksurfaces only.
- Order mending plates separately if placing this worksurface next to another non-rectangular worksurface

ORDER EXAMPLE

product #: FHECCPPWS.24426024L
worksurface finish: M1 Light Maple
edge finish: E1, Light Maple
support finish: Cloud White
left or right extended: L

24" D CONNECTING SIDES 42" D

PART #	HEIGHT	A	B	C	D	WT. (LBS)	LIST
FHECCPPWS.24426024L	1.25"	24"	42"	60"	36"	105	\$1,112
FHECCPPWS.24426024R	1.25"	24"	42"	60"	36"	105	\$1,112
FHECCPPWS.24426624L	1.25"	24"	42"	66"	36"	112	\$1,231
FHECCPPWS.24426624R	1.25"	24"	42"	66"	36"	112	\$1,231
FHECCPPWS.24427224L	1.25"	24"	42"	72"	36"	119	\$1,257
FHECCPPWS.24427224R	1.25"	24"	42"	72"	36"	119	\$1,257
FHECCPPWS.24427824L	1.25"	24"	42"	78"	36"	126	\$1,475
FHECCPPWS.24427824R	1.25"	24"	42"	78"	36"	126	\$1,475
FHECCPPWS.24428424L	1.25"	24"	42"	84"	36"	134	\$1,507
FHECCPPWS.24428424R	1.25"	24"	42"	84"	36"	134	\$1,507

24" D CONNECTING SIDES 48" D

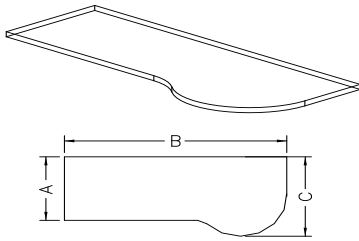
PART #	HEIGHT	A	B	C	D	WT. (LBS)	LIST
FHECCPPWS.24486024L	1.25"	24"	48"	60"	36"	113	\$1,235
FHECCPPWS.24486024R	1.25"	24"	48"	60"	36"	113	\$1,235
FHECCPPWS.24486624L	1.25"	24"	48"	66"	36"	120	\$1,377
FHECCPPWS.24486624R	1.25"	24"	48"	66"	36"	120	\$1,377
FHECCPPWS.24487224L	1.25"	24"	48"	72"	36"	127	\$1,403
FHECCPPWS.24487224R	1.25"	24"	48"	72"	36"	127	\$1,403
FHECCPPWS.24487824L	1.25"	24"	48"	78"	36"	134	\$1,668
FHECCPPWS.24487824R	1.25"	24"	48"	78"	36"	134	\$1,668
FHECCPPWS.24488424L	1.25"	24"	48"	84"	36"	141	\$1,702
FHECCPPWS.24488424R	1.25"	24"	48"	84"	36"	141	\$1,702

Extended Curved Corner P-Shape Peninsula / continued

30" D CONNECTING SIDES 42" D	PART #	HEIGHT	A	B	C	D	WT. (LBS)	LIST
	FHECCPPWS.30426030L	1.25"	30"	42"	60"	36"	109	\$1,175
	FHECCPPWS.30426030R	1.25"	30"	42"	60"	36"	109	\$1,175
	FHECCPPWS.30426630L	1.25"	30"	42"	66"	36"	116	\$1,291
	FHECCPPWS.30426630R	1.25"	30"	42"	66"	36"	116	\$1,291
	FHECCPPWS.30427230L	1.25"	30"	42"	72"	36"	123	\$1,318
	FHECCPPWS.30427230R	1.25"	30"	42"	72"	36"	123	\$1,318
	FHECCPPWS.30427830L	1.25"	30"	42"	78"	36"	131	\$1,536
	FHECCPPWS.30427830R	1.25"	30"	42"	78"	36"	131	\$1,536
	FHECCPPWS.30428430L	1.25"	30"	42"	84"	36"	138	\$1,570
	FHECCPPWS.30428430R	1.25"	30"	42"	84"	36"	138	\$1,570

30" D CONNECTING SIDES 48" D	PART #	HEIGHT	A	B	C	D	WT. (LBS)	LIST
	FHECCPPWS.30486030L	1.25"	30"	48"	60"	36"	116	\$1,297
	FHECCPPWS.30486030R	1.25"	30"	48"	60"	36"	116	\$1,297
	FHECCPPWS.30486630L	1.25"	30"	48"	66"	36"	123	\$1,438
	FHECCPPWS.30486630R	1.25"	30"	48"	66"	36"	123	\$1,438
	FHECCPPWS.30487230L	1.25"	30"	48"	72"	36"	132	\$1,466
	FHECCPPWS.30487230R	1.25"	30"	48"	72"	36"	132	\$1,466
	FHECCPPWS.30487830L	1.25"	30"	48"	78"	36"	139	\$1,728
	FHECCPPWS.30487830R	1.25"	30"	48"	78"	36"	139	\$1,728
	FHECCPPWS.30488430L	1.25"	30"	48"	84"	36"	146	\$1,762
	FHECCPPWS.30488430R	1.25"	30"	48"	84"	36"	146	\$1,762

Ellipse End Peninsula



Right Extended shown

DESCRIPTION

Worksurface hangs from a panel or wall strips. It has a laminate top and a PVC edge. There is a 7/8" gap at the back of the worksurface for plug and cord passage. 60" to 84" worksurfaces have center support.

NOTES

- Includes cantilever brackets and attachment hardware
- Mending plates are included with rectangular worksurfaces only.
- Order mending plates separately if placing this worksurface next to another non-rectangular worksurface

SPECIFICATION OPTIONS

product #: see charts below
worksurface finish: see page 9
edge finish: see page 9
support finish: page 10

ORDER EXAMPLE

product #: FHEEPWS.246030
worksurface finish: M1 Light Maple
edge finish: E1 Light Maple
support finish: Cloud White

24" D LEFT 30" D RIGHT

PART #	HEIGHT	A	B	C	D	WT. (LBS)	LIST
FHEEPWS.246030	1.25"	24"	60"	30"	—	52	\$717
FHEEPWS.246630	1.25"	24"	66"	30"	—	59	\$791
FHEEPWS.247230	1.25"	24"	72"	30"	—	66	\$811
FHEEPWS.247830	1.25"	24"	78"	30"	—	74	\$949
FHEEPWS.248430	1.25"	24"	84"	30"	—	81	\$970

30" D LEFT 24" D RIGHT

PART #	HEIGHT	A	B	C	D	WT. (LBS)	LIST
FHEEPWS.306024	1.25"	30"	60"	24"	—	52	\$717
FHEEPWS.306624	1.25"	30"	66"	24"	—	59	\$791
FHEEPWS.307224	1.25"	30"	72"	24"	—	66	\$811
FHEEPWS.307824	1.25"	30"	78"	24"	—	74	\$949
FHEEPWS.308424	1.25"	30"	84"	24"	—	81	\$970

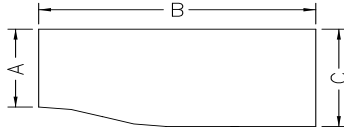
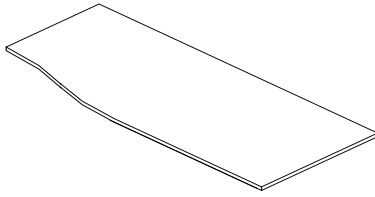
30" D LEFT 36" D RIGHT

PART #	HEIGHT	A	B	C	D	WT. (LBS)	LIST
FHEEPWS.306036	1.25"	30"	60"	36"	—	57	\$837
FHEEPWS.306636	1.25"	30"	66"	36"	—	64	\$923
FHEEPWS.307236	1.25"	30"	72"	36"	—	71	\$943
FHEEPWS.307836	1.25"	30"	78"	36"	—	79	\$1,105
FHEEPWS.308436	1.25"	30"	84"	36"	—	86	\$1,127

36" D LEFT 30" D RIGHT

PART #	HEIGHT	A	B	C	D	WT. (LBS)	LIST
FHEEPWS.366030	1.25"	36"	60"	30"	—	57	\$837
FHEEPWS.366630	1.25"	36"	66"	30"	—	64	\$923
FHEEPWS.367230	1.25"	36"	72"	30"	—	71	\$943
FHEEPWS.367830	1.25"	36"	78"	30"	—	79	\$1,105
FHEEPWS.368430	1.25"	36"	84"	30"	—	86	\$1,127

Rectangular Asymmetrical



Right Extended shown

DESCRIPTION

Worksurface hangs from a panel or wall strips. It has a laminate top and a PVC edge. There is a 7/8" gap at the back of the worksurface for plug and cord passage. 60" to 84" worksurfaces have center support.

NOTES

- Includes cantilever brackets and attachment hardware
- 78"W and 84"W worksurfaces will accept a 42"W or 36"W lateral file
- 72"W worksurface will accept a 36"W lateral file
- 66"W worksurface will accept a 30"W lateral file
- Worksurfaces shorter than 48"W will not accept a pedestal
- Mending plates are included with rectangular worksurfaces only.
- Order mending plates separately if placing this worksurface next to another non-rectangular worksurface

SPECIFICATION OPTIONS

product #: see charts below
worksurface finish: see page 9
edge finish: see page 9
support finish: page 10

ORDER EXAMPLE

product #: FHRWWS.243030
worksurface finish: M1 Light Maple
edge finish: M1 Light Maple
support finish: E9 Cloud White

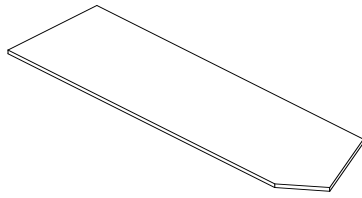
24" D LEFT 30" D RIGHT

PART #	HEIGHT	A	B	C	D	WT. (LBS)	LIST
FHRWWS.243030	1.25"	24"	30"	30"	—	40	\$360
FHRWWS.243630	1.25"	24"	36"	30"	—	46	\$410
FHRWWS.244230	1.25"	24"	42"	30"	—	53	\$420
FHRWWS.244830	1.25"	24"	48"	30"	—	60	\$502
FHRWWS.245430	1.25"	24"	54"	30"	—	66	\$512
FHRWWS.246030	1.25"	24"	60"	30"	—	74	\$607
FHRWWS.246630	1.25"	24"	66"	30"	—	81	\$619
FHRWWS.247230	1.25"	24"	72"	30"	—	88	\$685
FHRWWS.247830	1.25"	24"	78"	30"	—	95	\$813
FHRWWS.248430	1.25"	24"	84"	30"	—	102	\$818

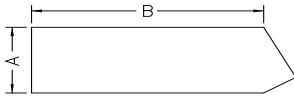
30" D LEFT 24" D RIGHT

PART #	HEIGHT	A	B	C	D	WT. (LBS)	LIST
FHRWWS.303024	1.25"	30"	30"	24"	—	40	\$360
FHRWWS.303624	1.25"	30"	36"	24"	—	46	\$410
FHRWWS.304224	1.25"	30"	42"	24"	—	53	\$420
FHRWWS.304824	1.25"	30"	48"	24"	—	60	\$502
FHRWWS.305424	1.25"	30"	54"	24"	—	66	\$512
FHRWWS.306024	1.25"	30"	60"	24"	—	74	\$607
FHRWWS.306624	1.25"	30"	66"	24"	—	81	\$619
FHRWWS.307224	1.25"	30"	72"	24"	—	88	\$685
FHRWWS.307824	1.25"	30"	78"	24"	—	95	\$813
FHRWWS.308424	1.25"	30"	84"	24"	—	102	\$818

120° Rectangular



Right End shown



DESCRIPTION

Worksurface hangs from a panel and has a 120° end, either left or right. It has a PVC edge. There is a 7/8" gap at the back of the worksurface for plug and cord passage.

NOTES

- Includes cantilever brackets and attachment hardware
- 78"W and 84"W worksurfaces will accept a 42"W or 36"W lateral file
- 72"W worksurface will accept a 36"W lateral file
- 66"W worksurface will accept a 30"W lateral file
- Worksurfaces shorter than 48"W will not accept a pedestal
- Mending plates are included with rectangular worksurfaces only.
- Order mending plates separately if placing this worksurface next to another non-rectangular worksurface

SPECIFICATION OPTIONS

product #: see charts below
worksurface finish: see page 9
edge finish: see page 9
support finish: page 10
left or right extended: L for Left, R for Right

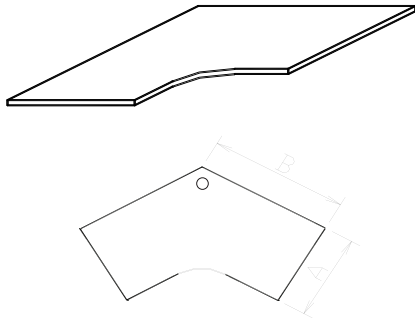
ORDER EXAMPLE

product #: FH12OWS.2424L
worksurface finish: M1 Light Maple
edge finish: E1, Light Maple
support finish: Cloud White
left or right extended: L

120° RECTANGULAR

PART #	HEIGHT	A	B	C	D	WT. (LBS)	LIST
FH12OWS.2424L	1.25"	24"	24"	—	—	33	\$452
FH12OWS.2424R	1.25"	24"	24"	—	—	33	\$452
FH12OWS.2430L	1.25"	24"	30"	—	—	40	\$486
FH12OWS.2430R	1.25"	24"	30"	—	—	40	\$486
FH12OWS.2436L	1.25"	24"	36"	—	—	45	\$523
FH12OWS.2436R	1.25"	24"	36"	—	—	45	\$523
FH12OWS.2442L	1.25"	24"	42"	—	—	52	\$584
FH12OWS.2442R	1.25"	24"	42"	—	—	52	\$584
FH12OWS.2448L	1.25"	24"	48"	—	—	57	\$598
FH12OWS.2448R	1.25"	24"	48"	—	—	57	\$598
FH12OWS.2460L	1.25"	24"	60"	—	—	64	\$695
FH12OWS.2460R	1.25"	24"	60"	—	—	64	\$695

120° Corner / 90° Ends



DESCRIPTION

Worksurface hangs from a panel. It has a laminate top and a PVC edge. There is a 7/8" gap at the back of the worksurface for plug and cord passage. Worksurface is 24" deep.

NOTES

- Includes cantilever brackets, corner bracket, and attachment hardware
- Mending plates are included with rectangular worksurfaces only.
- Order mending plates separately if placing this worksurface next to another non-rectangular worksurface

SPECIFICATION OPTIONS

product #: see charts below
worksurface finish: see page 9
edge finish: see page 9
support finish: page 10

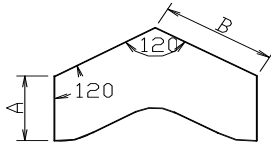
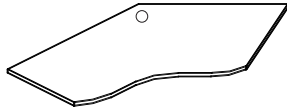
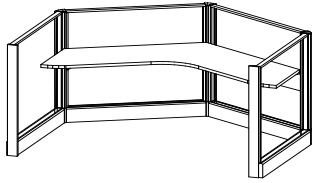
ORDER EXAMPLE

product #: FH120/90WS.2424
worksurface finish: M1 Light Maple
edge finish: E1, Light Maple
support finish: Cloud White

120° CORNER 90° ENDS

PART #	HEIGHT	A	B	C	D	WT. (LBS)	LIST
FH120-90WS.2424	1.25"	24"	24"	—	—	30	\$570
FH120-90WS.2430	1.25"	24"	30"	—	—	41	\$643
FH120-90WS.2436	1.25"	24"	36"	—	—	50	\$787
FH120-90WS.2442	1.25"	24"	42"	—	—	62	\$942
FH120-90WS.2448	1.25"	24"	48"	—	—	80	\$1,144

120° Corner / 120° Ends



DESCRIPTION

Worksurface hangs from a panel. It has a laminate top and a PVC edge. There is a 7/8" gap at the back of the worksurface for plug and cord passage. Worksurface is 24" deep.

NOTES

- Includes cantilever brackets, corner bracket, and attachment hardware
- Mending plates are included with rectangular worksurfaces only.
- Order mending plates separately if placing this worksurface next to another non-rectangular worksurface

SPECIFICATION OPTIONS

product #: see charts below
worksurface finish: see page 9
edge finish: see page 9
support finish: page 10

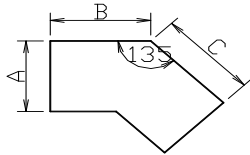
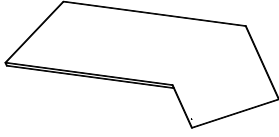
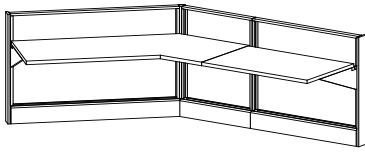
ORDER EXAMPLE

product #: FH120/120WS.2436
worksurface finish: M1 Light Maple
edge finish: E1 Light Maple
support finish: Cloud White

120° CORNER 120° ENDS

PART #	HEIGHT	A	B	C	D	WT. (LBS)	LIST
FH120-120WS.2436	1.25"	24"	36"	—	—	—	\$796
FH120-120WS.2442	1.25"	24"	42"	—	—	—	\$951
FH120-120WS.2448	1.25"	24"	48"	—	—	—	\$1,156

135° Corner



DESCRIPTION

Worksurface hangs from a panel. It has a laminate top and a PVC edge. There is a 7/8" gap at the back of the worksurface for plug and cord passage. Worksurface is 24" deep.

SPECIFICATION OPTIONS

product #: see charts below
worksurface finish: see page 9
edge finish: see page 9
support finish: page 10

NOTES

- Includes cantilever brackets, corner bracket, and attachment hardware
- Mending plates are included with rectangular worksurfaces only.
- Order mending plates separately if placing this worksurface next to another non-rectangular worksurface

ORDER EXAMPLE

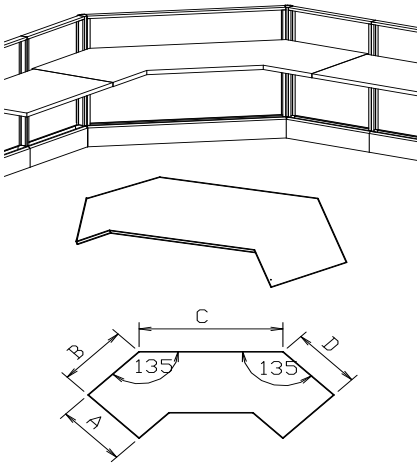
product #: FH135CWS24.2424
worksurface finish: M1 Light Maple
edge finish: E1, Light Maple
support finish: Cloud White

135° CORNER WORKSURFACE

PART #	HEIGHT	A	B	C	D	WT. (LBS)	LIST
FH135CWS24.2424	1.25"	24"	24"	—	—	—	\$886
FH135CWS24.3030	1.25"	30"	30"	—	—	—	\$1,047
FH135CWS24.4824	1.25"	48"	24"	—	—	—	\$994
FH135CWS24.2448	1.25"	24"	48"	—	—	—	\$1,219

PART #	HEIGHT	A	B	C	D	WT. (LBS)	LIST
FH135CWS30.2424	1.25"	24"	24"	—	—	—	\$923
FH135CWS30.3030	1.25"	30"	30"	—	—	—	\$1,089
FH135CWS30.4824	1.25"	48"	24"	—	—	—	\$1,240
FH135CWS30.2448	1.25"	24"	48"	—	—	—	\$1,249

135° Double Corner



DESCRIPTION

Worksurface hangs from a panel. It has a laminate top and a PVC edge. There is a 7/8" gap at the back of the worksurface for plug and cord passage. Worksurface is 24" deep.

NOTES

- Includes cantilever brackets, corner bracket, and attachment hardware
- Mending plates are included with rectangular worksurfaces only.
- Order mending plates separately if placing this worksurface next to another non-rectangular worksurface

SPECIFICATION OPTIONS

product #: see charts below
worksurface finish: see page 9
edge finish: see page 9
support finish: page 10

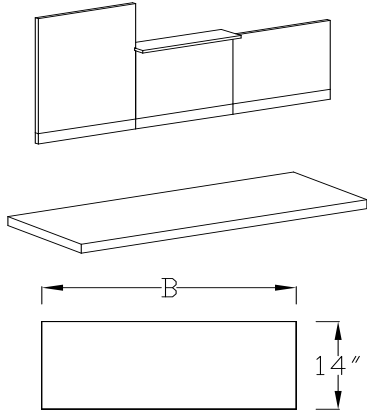
ORDER EXAMPLE

product #: FH135DCWS24. 244824
worksurface finish: M1 Light Maple
edge finish: E1, Light Maple
support finish: Cloud White

135° DOUBLE CORNER WORKSURFACE

PART #	HEIGHT	A	B	C	D	WT. (LBS)	LIST
FH135DCWS24. 244824	1.25"	24"	24"	48"	24"	—	\$1,708
FH135DCWS30. 244824	1.25"	30"	24"	48"	24"	—	\$1,712

Transaction Surface



DESCRIPTION

14"D Rectangular transaction worksurface attaches to the top of a panel. Ends are flush with the panel. It has a PVC edge.

NOTES

- Attaches to the top of a panel for counter or display area.
- Includes transaction brackets and attachment hardware.
- Order without cutout or with cutout on one side
- Cutout is for use on the lower panel at a change of height

SPECIFICATION OPTIONS

product #: see charts below
worksurface finish: see page 9
edge finish: see page 9
support finish: page 10

ORDER EXAMPLE

product #: FHERTS.1424LC
worksurface finish: M1 Light Maple
edge finish: E1, Light Maple
support finish: Cloud White

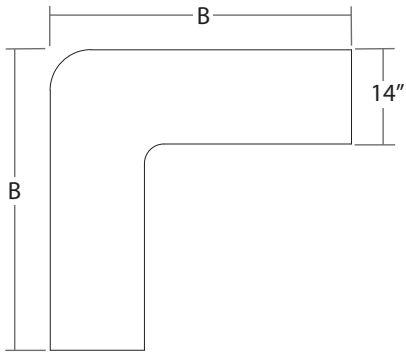
WITHOUT CUTOUT

PART #	HEIGHT	A	B	C	D	WT. (LBS)	LIST
FHERTS.1424L	1.25"	14"	24"	—	—	17	\$186
FHERTS.1430L	1.25"	14"	30"	—	—	21	\$215
FHERTS.1436L	1.25"	14"	36"	—	—	24	\$232
FHERTS.1442L	1.25"	14"	42"	—	—	27	\$277
FHERTS.1448L	1.25"	14"	48"	—	—	31	\$282
FHERTS.1460L	1.25"	14"	60"	—	—	38	\$327
FHERTS.1472L	1.25"	14"	72"	—	—	43	\$372

WITH CUTOUT

PART #	HEIGHT	A	B	C	D	WT. (LBS)	LIST
FHERTS.1424LC	1.25"	14"	23.5"	—	—	17	\$186
FHERTS.1430LC	1.25"	14"	29.5"	—	—	21	\$215
FHERTS.1436LC	1.25"	14"	35.5"	—	—	24	\$232
FHERTS.1442LC	1.25"	14"	41.5"	—	—	27	\$277
FHERTS.1448LC	1.25"	14"	47.5"	—	—	31	\$282
FHERTS.1460LC	1.25"	14"	59.5"	—	—	38	\$327
FHERTS.1472LC	1.25"	14"	71.5"	—	—	43	\$372

Corner Transaction



DESCRIPTION

14"D Transaction worksurface attaches to the top of two panels. Ends are flush with the panels. It has a PVC edge.

NOTES

- Attaches to the top of two 24", 30", 36", 42" or 48"W.
- Panels connected at a 90° angle for corner counter or display area
- Includes transaction brackets and attachment hardware.

SPECIFICATION OPTIONS

product #: see charts below
worksurface finish: see page 9
edge finish: see page 9
support finish: page 10

ORDER EXAMPLE

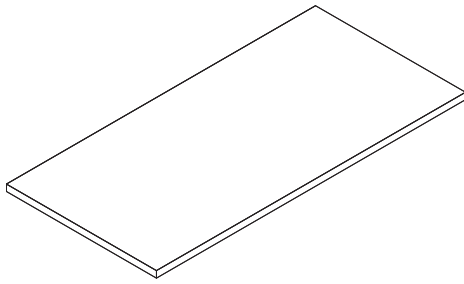
product #: FHECTS.24
worksurface finish: M1 Light Maple
edge finish: E1, Light Maple
support finish: Cloud White

CORNER TRANSACTION

PART #	HEIGHT	A	B	C	D	WT. (LBS)	LIST
FHECTS.24	1.25"	14"	32"	—	—	40	\$356
FHECTS.30	1.25"	14"	38"	—	—	48	\$473
FHECTS.36	1.25"	14"	44"	—	—	55	\$523
FHECTS.42	1.25"	14"	50"	—	—	62	\$736
FHECTS.48	1.25"	14"	56"	—	—	71	\$741

MY-HITE WORKSURFACES

Rectangular Worksurfaces For Use w/ MY-HITE Base



DESCRIPTION

Worksurface top only, for use with height adjustable base within workstation application

NOTES

- Add circular grommet (add \$75 list) Specify GL, GC, GR
- Order base separately from MY-HITE pricebook

Note: Top size reduced 1" in depth and 2" in with to fit within system workstation and prevent pinch points. See system pricebook for details. We do not recommend using full size worktop in paneled workstation applications.

SPECIFICATION OPTIONS

product #: see charts below
top, edge finish: worksurface finish:
 see page 9

ORDER EXAMPLE

product #: FHRWS.2364
edge finish: E1 Light Maple
worksurface finish: M1
grommet: GC (Rear Center)

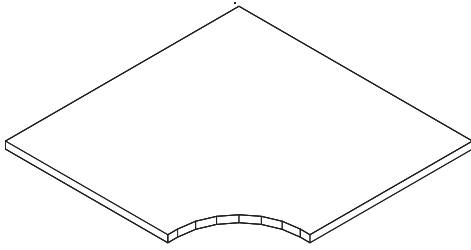
SQUARE EDGE RECTANGULAR WORKSURFACE

PART #	DEPTH	WIDTH	PRICE
FHRWS.2340	23"	40"	\$323
FHRWS.2346	23"	46"	\$333
FHRWS.2352	23"	52"	\$393
FHRWS.2358	23"	58"	\$403
FHRWS.2364	23"	64"	\$464
FHRWS.2370	23"	70"	\$477
FHRWS.2376	23"	76"	\$582
FHRWS.2382	23"	82"	\$588
FHRWS.2940	29"	40"	\$382
FHRWS.2946	29"	46"	\$393
FHRWS.2952	29"	52"	\$465
FHRWS.2958	29"	58"	\$477
FHRWS.2964	29"	64"	\$552
FHRWS.2970	29"	70"	\$565
FHRWS.2976	29"	76"	\$695
FHRWS.2982	29"	82"	\$701
FHRWS.3540	35"	40"	\$402
FHRWS.3546	35"	46"	\$409
FHRWS.3552	35"	52"	\$717
FHRWS.3558	35"	58"	\$725
FHRWS.3564	35"	64"	\$733
FHRWS.3570	35"	70"	\$741
FHRWS.3576	35"	76"	\$748
FHRWS.3582	35"	82"	\$854

NOTES

Sizes are actual for example
 FHRWS.2364 is 23" x 64"

Corner Worksurfaces For Use w/ MY-HITE Bases



DESCRIPTION

Corner worksurface top only, for use with height adjustable base within workstation application.

NOTES

- Add circular grommet (add \$75 list)
Specify GL or GR
- Order base separately from MY-HITE pricebook

Note: Top size reduced 1" in depth and 2" in width to fit within system workstation and prevent pinch points. See system pricebook for details. We do not recommend using full size worktop in paneled workstation applications.

SPECIFICATION OPTIONS

product #: see charts below
top, edge finish: worksurface finish:
see page 9

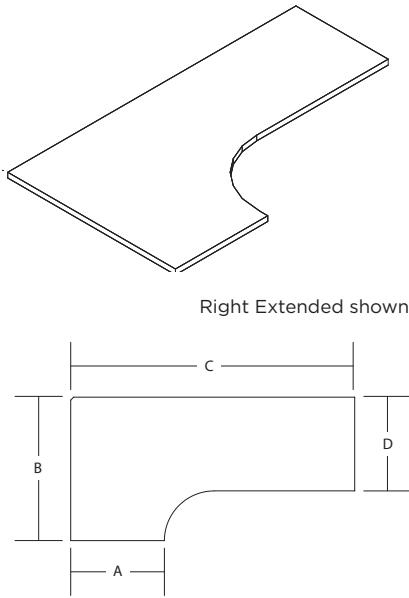
ORDER EXAMPLE

product #: FHCWS.2942
edge finish: E1 Light Maple
worksurface finish: M1
grommet: GL

SQUARE EDGE CORNER WORKSURFACE

PART #	WIDTH	DEPTH	PRICE	NOTES
FHCWS.2340	40"	23"	\$532	Sizes are actual for example : FHCWS.2942 is 29" x 42"
FHCWS.2346	46"	23"	\$563	
FHCWS.2940	42"	29"	\$579	
FHCWS.2946	48"	29"	\$608	

90° Extended Curved Corner Worksurface For Use w/ MY-HITE Bases



DESCRIPTION

Laminate worksurface with 3mm PVC edge

NOTES

- Worksurface top only, for use with height adjustable base within workstation application
- See My-Hite pricebook for use inside a freestanding application
- Add circular grommet (add \$75 list) Specify grommet placement GL, GC, GR
- Top size reduced 1" in depth and 2" in width to fit within system workstation and prevent pinch points.
- We do not recommend using full size worktop in paneled workstation applications
- Base covers are metal

SPECIFICATION OPTIONS

product #: see charts below
top, edge, worksurface finish: see page 9
left or right extended: L for Left, R for Right

ORDER EXAMPLE

product #: FHECCWS.23345823L
top, edge finish: E10 Espresso
worksurface finish: M11 Light Walnut

**23" D CONNECTING SIDE
 23" D EXTENSION
 34" D**

PART #	HEIGHT	A	B	C	D	PRICE
FHECCWS.23345823L	1.25"	23"	34"	58"	23"	\$610
FHECCWS.23345823R	1.25"	23"	34"	58"	23"	\$610
FHECCWS.23346423L	1.25"	23"	34"	64"	23"	\$680
FHECCWS.23346423R	1.25"	23"	34"	64"	23"	\$680
FHECCWS.23347023L	1.25"	23"	34"	70"	23"	\$691
FHECCWS.23347023R	1.25"	23"	34"	70"	23"	\$691
FHECCWS.23347623L	1.25"	23"	34"	76"	23"	\$829
FHECCWS.23347623R	1.25"	23"	34"	76"	23"	\$829
FHECCWS.23348223L	1.25"	23"	34"	82"	23"	\$919
FHECCWS.23348223R	1.25"	23"	34"	82"	23"	\$919

**29" D CONNECTING SIDE
 29" D EXTENSION
 34" D**

PART #	HEIGHT	A	B	C	D	PRICE
FHECCWS.29345829L	1.25"	29"	34"	58"	29"	\$669
FHECCWS.29345829R	1.25"	29"	34"	58"	29"	\$669
FHECCWS.29346429L	1.25"	29"	34"	64"	29"	\$738
FHECCWS.29346429R	1.25"	29"	34"	64"	29"	\$738
FHECCWS.29347029L	1.25"	29"	34"	70"	29"	\$748
FHECCWS.29347029R	1.25"	29"	34"	70"	29"	\$748
FHECCWS.29347629L	1.25"	29"	34"	76"	29"	\$886
FHECCWS.29347629R	1.25"	29"	34"	76"	29"	\$886
FHECCWS.29348229L	1.25"	29"	34"	82"	29"	\$973
FHECCWS.29348229R	1.25"	29"	34"	82"	29"	\$973

**23" D CONNECTING SIDE
23" D EXTENSION
40" D**

PART #	HEIGHT	A	B	C	D	PRICE
FHECCWS.23405823L	1.25"	23"	40"	58"	23"	\$735
FHECCWS.23405823R	1.25"	23"	40"	58"	23"	\$735
FHECCWS.23406423L	1.25"	23"	40"	64"	23"	\$827
FHECCWS.23406423R	1.25"	23"	40"	64"	23"	\$827
FHECCWS.23407023L	1.25"	23"	40"	70"	23"	\$839
FHECCWS.23407023R	1.25"	23"	40"	70"	23"	\$839
FHECCWS.23407623L	1.25"	23"	40"	76"	23"	\$1,017
FHECCWS.23407623R	1.25"	23"	40"	76"	23"	\$1,017
FHECCWS.23408223L	1.25"	23"	40"	82"	23"	\$1,135
FHECCWS.23408223R	1.25"	23"	40"	82"	23"	\$1,135

**29" D CONNECTING SIDE
29" D EXTENSION
40" D**

PART #	HEIGHT	A	B	C	D	PRICE
FHECCWS.29405829L	1.25"	29"	40"	58"	29"	\$791
FHECCWS.29405829R	1.25"	29"	40"	58"	29"	\$791
FHECCWS.29406429L	1.25"	29"	40"	64"	29"	\$883
FHECCWS.29406429R	1.25"	29"	40"	64"	29"	\$883
FHECCWS.29407029L	1.25"	29"	40"	70"	29"	\$896
FHECCWS.29407029R	1.25"	29"	40"	70"	29"	\$896
FHECCWS.29407629L	1.25"	29"	40"	76"	29"	\$1,075
FHECCWS.29407629R	1.25"	29"	40"	76"	29"	\$1,075
FHECCWS.29408229L	1.25"	29"	40"	82"	29"	\$1,191
FHECCWS.29408229R	1.25"	29"	40"	82"	29"	\$1,191

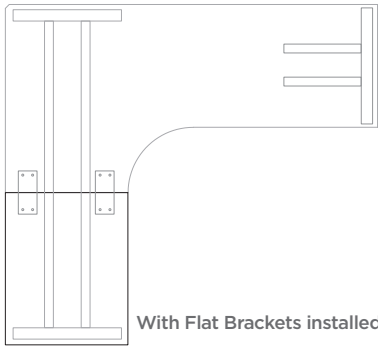
**23" D CONNECTING SIDE
23" D EXTENSION
46" D**

PART #	HEIGHT	A	B	C	D	PRICE
FHECCWS.23465823L	1.25"	23"	46"	58"	23"	\$746
FHECCWS.23465823R	1.25"	23"	46"	58"	23"	\$746
FHECCWS.23466423L	1.25"	23"	46"	64"	23"	\$839
FHECCWS.23466423R	1.25"	23"	46"	64"	23"	\$839
FHECCWS.23467023L	1.25"	23"	46"	70"	23"	\$858
FHECCWS.23467023R	1.25"	23"	46"	70"	23"	\$858
FHECCWS.23467623L	1.25"	23"	46"	76"	23"	\$1,045
FHECCWS.23467623R	1.25"	23"	46"	76"	23"	\$1,045
FHECCWS.23468223L	1.25"	23"	46"	82"	23"	\$1,171
FHECCWS.23468223R	1.25"	23"	46"	82"	23"	\$1,171

**29" D CONNECTING SIDE
29" D EXTENSION
46" D**

PART #	HEIGHT	A	B	C	D	PRICE
FHECCWS.29465829L	1.25"	29"	46"	58"	29"	\$804
FHECCWS.29465829R	1.25"	29"	46"	58"	29"	\$804
FHECCWS.29466429L	1.25"	29"	46"	64"	29"	\$896
FHECCWS.29466429R	1.25"	29"	46"	64"	29"	\$896
FHECCWS.29467029L	1.25"	29"	46"	70"	29"	\$916
FHECCWS.29467029R	1.25"	29"	46"	70"	29"	\$916
FHECCWS.29467629L	1.25"	29"	46"	76"	29"	\$1,102
FHECCWS.29467629R	1.25"	29"	46"	76"	29"	\$1,102
FHECCWS.29468229L	1.25"	29"	46"	82"	29"	\$1,224
FHECCWS.29468229R	1.25"	29"	46"	82"	29"	\$1,224

Rectangular Extension



DESCRIPTION

Laminate worksurface, for use with extended curved corner worksurfaces, not for use alone.

NOTES

- For use in combination with Extended Corner Worksurfaces and Corner My-Hite Bases only
- Not for use alone, nor with straight bases
- Maximum width combined: 72x96" or 84x84"

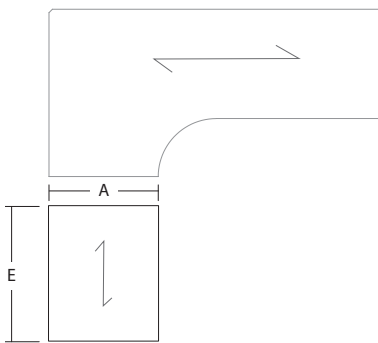
SPECIFICATION OPTIONS

product #: See charts below
worksurface finish: See page 9

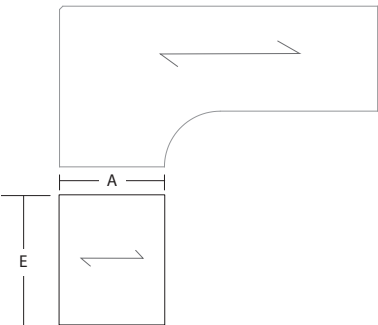
ORDER EXAMPLE

product #: FHRWS.2324
worksurface: Light Maple, M1

RECTANGULAR WORKSURFACE

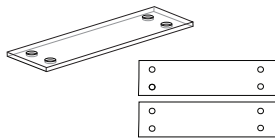


PART #	DEPTH "A"	WIDTH "E"	LIST	NOTES
FHRWS.2324	23"	24"	\$254	• Standard default grain direction is left to right (See left)
FHRWS.2330	23"	30"	\$290	
FHRWS.2336	23"	36"	\$300	
FHRWS.2924	29"	24"	\$337	
FHRWS.2930	29"	30"	\$384	
FHRWS.2936	29"	36"	\$394	



PART #	DEPTH "A"	WIDTH "E"	LIST	NOTES
FHRWS.2324-CG	23"	24"	\$304	• Cross grain direction is front to back (See left)
FHRWS.2330-CG	23"	30"	\$348	
FHRWS.2336-CG	23"	36"	\$360	
FHRWS.2924-CG	29"	24"	\$404	
FHRWS.2930-CG	29"	30"	\$461	
FHRWS.2936-CG	29"	36"	\$473	

FLAT BRACKET



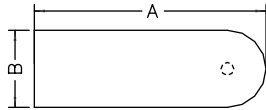
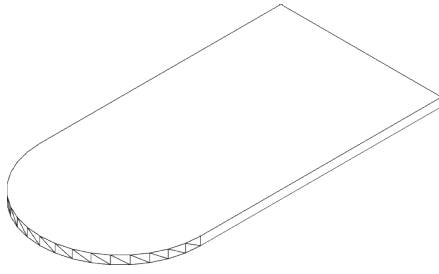
PART #	WIDTH	DEPTH	PRICE	NOTES
FVFB.08	8"	2"	\$30	<ul style="list-style-type: none"> • Used to unite two worksurfaces supported by one base • Black finish • Sold in pairs

ANTI-SAG BARS



PART #	WIDTH	LIST	NOTES
FWASB.42	42"	\$100	<ul style="list-style-type: none"> • Anti-Sag bar, 42" wide with (8) screws. For use with 48 & 54" worktops • Anti-Sag bar, 54" wide with (10) screws. For use with 60 & 66" worktops • Anti-Sag bar, 66" wide with (12) screws. For use with 72 & 78" worktops
FWASB.54	54"	\$127	
FWASB.66	66"	\$154	

D-Shaped | Worksurface For Use w/ MY-HITE Bases



DESCRIPTION

Worksurface top only, for use with height adjustable base within workstation application

NOTES

- Add grommet (add \$75 list)
Specify GL, GC, GR
- Order base separately from MY-HITE pricebook

Note: Top size reduced 1" in depth and 2" in width to fit within system workstation and prevent pinch points. We do not recommend using full size worktop in paneled workstation applications.

SPECIFICATION OPTIONS

product #: see charts below
top, edge finish: worksurface finish:
see page 9

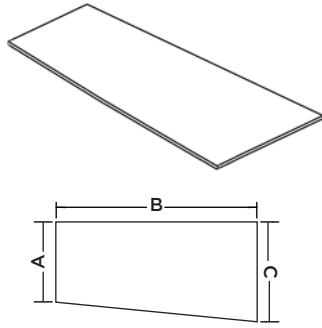
ORDER EXAMPLE

product #: FHEDSP.2346
edge finish: DT Dark Tone, E12
worksurface finish: Espresso, M10
grommet: GC (Rear Center)

SQUARE EDGE D-SHAPED

PART #	HEIGHT	A	B	C	D	PRICE
FHEDSP.2346	1.25"	46"	23"	—	—	\$487
FHEDSP.2358	1.25"	58"	23"	—	—	\$543
FHEDSP.2946	1.25"	46"	29"	—	—	\$534
FHEDSP.2958	1.25"	58"	29"	—	—	\$592
FHEDSP.2970	1.25"	70"	29"	—	—	\$647
FHEDSP.3570	1.25"	70"	35"	—	—	\$713

Wedge | Worksurface For Use w/ MY-HITE Bases



DESCRIPTION	SPECIFICATION OPTIONS
-------------	-----------------------

Worksurface top only, for use with height adjustable base within workstation application

product #: see charts below
top, edge finish: worksurface finish:
 See page 9

NOTES	ORDER EXAMPLE
-------	---------------

- Add grommet (add \$75 list)
Specify GL, GC, GR
- Order base separately from MY-HITE pricebook

product #: FHWDWS.234029
edge finish: DT Dark Tone, E12
worksurface finish: Espresso, M10
grommet: GC (Rear Center)

Note: Top size reduced 1" in depth and 2" in width to fit within system workstation and prevent pinch points. We do not recommend using full size worktop in paneled workstation applications.

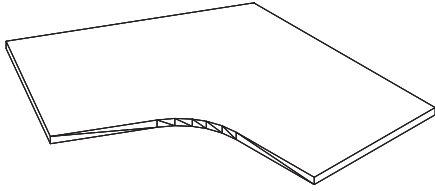
23"D LEFT 29"D RIGHT

PART #	HEIGHT	A	B	C	D	PRICE
FHWDWS.234029	1.25"	23"	40"	29"	—	\$377
FHWDWS.234629	1.25"	23"	46"	29"	—	\$385
FHWDWS.235229	1.25"	23"	52"	29"	—	\$437
FHWDWS.235829	1.25"	23"	58"	29"	—	\$468
FHWDWS.236429	1.25"	23"	64"	29"	—	\$522
FHWDWS.237029	1.25"	23"	70"	29"	—	\$534
FHWDWS.237629	1.25"	23"	76"	29"	—	\$620

29"D LEFT 23"D RIGHT

PART #	HEIGHT	A	B	C	D	PRICE
FHWDWS.294023	1.25"	29"	40"	23"	—	\$377
FHWDWS.294623	1.25"	29"	46"	23"	—	\$385
FHWDWS.295223	1.25"	29"	52"	23"	—	\$437
FHWDWS.295823	1.25"	29"	58"	23"	—	\$468
FHWDWS.296423	1.25"	29"	64"	23"	—	\$522
FHWDWS.297023	1.25"	29"	70"	23"	—	\$534
FHWDWS.297623	1.25"	29"	76"	23"	—	\$620

120° Corner / 90° Ends | Worksurface For Use w/ MY-HITE Bases



DESCRIPTION

Worksurface top only, for use with height adjustable base within workstation application

NOTES

- Add grommet (add \$75 list)
Specify GL, GC, GR
- Order base separately from MY-HITE pricebook

Note: Top size reduced 1" in depth and 2" in width to fit within system workstation and prevent pinch points. We do not recommend using full size worktop in paneled workstation applications.

SPECIFICATION OPTIONS

product #: see charts below
top, edge finish: **worksurface finish:**
See page 9

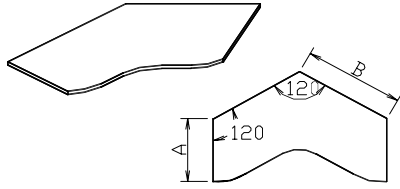
ORDER EXAMPLE

product #: FH120-90WS.2436
edge finish: DT Dark Tone, E12
worksurface finish: Espresso, M10
grommet: GC (Rear Center)

120° CORNER 90° ENDS

PART #	HEIGHT	A	B	C	D	PRICE
FH120-90WS.2334	1.25"	23"	34"	—	—	\$697
FH120-90WS.2340	1.25"	23"	40"	—	—	\$859
FH120-90WS.2346	1.25"	23"	46"	—	—	\$1,070

120° Corner / 120° Ends | Worksurface For Use w/ MY-HITE Bases



DESCRIPTION

Worksurface top only, for use with height adjustable base within workstation application

NOTES

- Add grommet (add \$75 list) Specify GL, GC, GR
- Order base separately from MY-HITE pricebook

Note: Top size reduced 1" in depth and 2" in with to fit within system workstation and prevent pinch points. We do not recommend using full size worktop in paneled workstation applications.

SPECIFICATION OPTIONS

product #: see charts below
top, edge finish: worksurface finish:
 see page 9

ORDER EXAMPLE

product #: FH120-120WS.2436
edge finish: DT Dark Tone, E12
worksurface finish: Espresso, M10
grommet: GC (Rear Center)

**120° CORNER
 120° ENDS**

PART #	HEIGHT	A	B	C	D	PRICE
FH120-120WS.2334	1.25"	23"	34"	—	—	\$697
FH120-120WS.2340	1.25"	23"	40"	—	—	\$859
FH120-120WS.2346	1.25"	23"	46"			\$1,070

NOVO

Grommets

DESCRIPTION

3" plastic grommet for use with worksurfaces.

NOTES

- All worksurfaces, except corner worksurfaces, do not include grommets.
- Corner worksurface include grommet (in corner)

SPECIFICATION OPTIONS

product #: see charts below

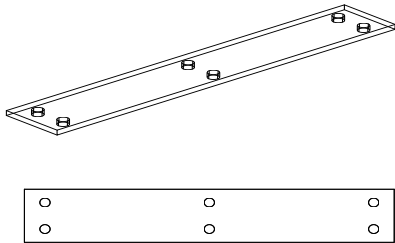
ORDER EXAMPLE

product #: FIG.BU (Black Umber finish)

GROMMET

PART #	PRICE	NOTES
FIG.BU (Black Umber)	\$2	<ul style="list-style-type: none"> • Grommet color included with worksurface is standard. • Order separately for other color.
FIG.CW (Cloud White)	\$2	
FIG.SV (Silver)	\$2	

Flat Bracket



DESCRIPTION

This flat bracket is used to support two worksurfaces when a support leg or panel leg is inappropriate.

NOTES

SPECIFICATION OPTIONS

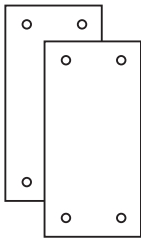
product #: see charts below

ORDER EXAMPLE

product #: FHFB.18

PART #	HEIGHT	A	B	C	D	WT. (LBS)	LIST
FHFB.18	3"	18"	—	—	—	1	\$45

Mending Plates



DESCRIPTION

This Mending Plate is to be ordered if you're placing corner worksurface next to another corner worksurface without a rectangular worksurface return. Mending plate size is 2" x 4"

NOTES

- Sold in pairs

SPECIFICATION OPTIONS

product #: see charts below

ORDER EXAMPLE

product #: FASS22-0-ZN

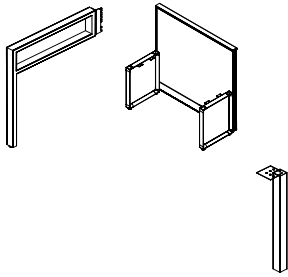
PART #	HEIGHT	A	B	C	D	WT. (LBS)	PRICE
FASS22-0-ZN	—	—	—	—	—	1	\$5

Anti-Sag Bars



PART #	WIDTH	LIST	NOTES
FWASB.42	42"	\$100	• Anti-Sag bar, 42" wide with (8) screws. For use with 48 & 54" worktops
FWASB.54	54"	\$127	• Anti-Sag bar, 54" wide with (10) screws. For use with 60 & 66" worktops
FWASB.66	66"	\$154	• Anti-Sag bar, 66" wide with (12) screws. For use with 72 & 78" worktops

Supports



DESCRIPTION

Provides support to the worksurface.

SPECIFICATION OPTIONS

product #: see charts below
support finish: page 10

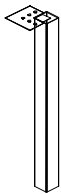
NOTES

- Use with frame and wall strip worksurfaces

ORDER EXAMPLE

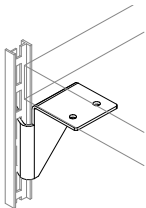
product #: FHTMLD.24
support finish: CW Cloud White

SQUARE POST LEG



PART #	HEIGHT	WIDTH	DEPTH	WT. (LBS)	LIST	NOTES
FHSPL.2	27.5"	2"	2"	.25	\$100	Attaches to the underside of a worksurface and has an adjustable glide.
FHSPL.3	27.5"	3"	3"	.25	\$141	

CORNER BRACKET



Right Handed shown

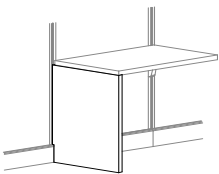
PART #	HEIGHT	WIDTH	DEPTH	WT. (LBS)	LIST	NOTES
FHWSB.L	2.75"	—	2.5"	.25	\$14	Attaches to the front corner of a hanging worksurface to provide additional support when the return panel matches the worksurface depth.
FHWSB.R	2.75"	—	2.5"	.25	\$14	

Also used as support for the back corner of a corner worksurface.

Specify left or right.

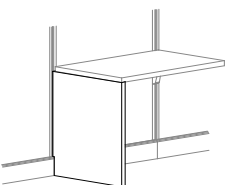
Color: Black

SUPPORT END PANEL



PART #	HEIGHT	WIDTH	DEPTH	WT. (LBS)	LIST	NOTES
FHWSSEP.24-MEL	27.75"	1.25"	24"	26	\$367	Attaches to a worksurface and a frame or wall strip.
FHWSSEP.30-MEL	27.75"	1.25"	30"	32	\$410	

SUPPORT END PANEL

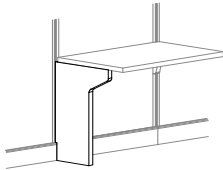


PART #	HEIGHT	WIDTH	DEPTH	WT. (LBS)	PRICE	NOTES
FWSSEP.24-LAM	27.75"	1.25"	24"	26	\$405	Attaches to a worksurface and a frame or wall strip.
FWSSEP.30-LAM	27.75"	1.25"	30"	32	\$465	

This panel uses a Hardsurface Panel Finish. See page 9 for finish options.

Supports continued

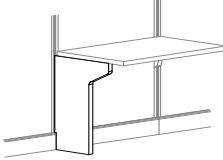
WORKSURFACE SUPPORT P-LEG



PART #	HEIGHT	WIDTH	DEPTH	WT.(LBS)	PRICE
FHWSSPL.24-MEL	27.75"	1.25"	24"	17	\$270
FHWSSPL.30-MEL	27.75"	1.25"	30"	20	\$312

- Attaches to a worksurface and a frame or wall strip.
- Finishes: DT, MT, LG, BU or CW

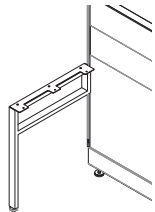
WORKSURFACE SUPPORT P-LEG



PART #	HEIGHT	WIDTH	DEPTH	WT. (LBS)	PRICE
FHWSSPL.24-LAM	27.75"	1.25"	24"	17	\$406
FHWSSPL.30-LAM	27.75"	1.25"	30"	20	\$442

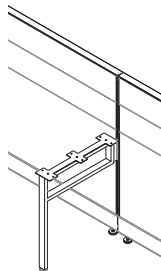
- Attaches to a worksurface and a frame or wall strip.
- This panel uses a Hardsurface Panel Finish. See page 9 for finish options.

SQUARE METAL P LEG SINGLE SUPPORT



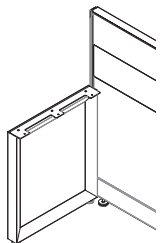
PART #	HEIGHT	WIDTH	DEPTH	WT. (LBS)	LIST	NOTES
FHSMLS.24	27.5"	1.25"	24"	17	\$160	<ul style="list-style-type: none"> • This support attaches to a worksurface and a frame or wall strip. It provides support for a single worksurface. • To convert from left handed to right handed, remove attachment brackets, and reinstall in the position needed. • Specify the depth of the worksurface support to match the depth of the worksurface.
FHSMLS.30	27.5"	1.25"	30"	20	\$182	

SQUARE METAL P LEG DOUBLE SUPPORT



PART #	HEIGHT	WIDTH	DEPTH	WT. (LBS)	LIST	NOTES
FHSMLD.24	27.5"	1.25"	24"	17	\$177	<ul style="list-style-type: none"> • This support attaches to a worksurface and a frame or wall strip. It provides support for two worksurfaces. • Specify the depth of the worksurface support to match the depth of the worksurface.
FHSMLD.30	27.5"	1.25"	30"	20	\$201	

SQUARE CORNER TRIANGLE SHAPE LEG SINGLE SUPPORT



PART #	HEIGHT	WIDTH	DEPTH	WT. (LBS)	LIST	NOTES
FHTMLDS.24	27.5"	1.25"	24"	26	\$195	<ul style="list-style-type: none"> • This support leg attaches to a worksurface and a frame or wall strip. It provides support for a single worksurface. • To convert to a left or right support, remove the top bar and reinstall it in the desired position. • Specify the depth of the support leg to match the depth of the worksurface. • Includes all attachment hardware.
FHTMLDS.30	27.5"	1.25"	30"	32	\$220	

Supports continued

SQUARE CORNER TRIANGLE SHAPE LEG DOUBLE SUPPORT

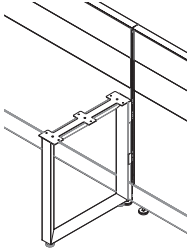
PART #	HEIGHT	WIDTH	DEPTH	WT. (LBS)	LIST
FHTMLDD.24	27.5"	1.25"	24"	26	\$208
FHTMLDD.30	27.5"	1.25"	30"	32	\$238

NOTES

This support leg attaches to a worksurface and a frame or wall strip. It provides support for two worksurfaces.

Specify the depth of the support leg to match the depth of the worksurface.

Includes all attachment hardware.



WORKSURFACE SUPPORT BRACKETS

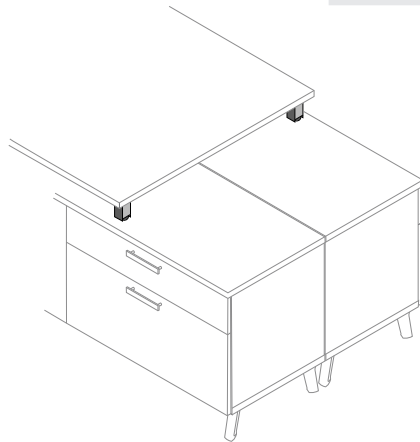
PART #	HEIGHT	PRICE
FSPL.CRED	2.75"	\$203

NOTES

Worksurface support brackets (pair)

Credenza mounted. For use with FCREDSQ.

Finishes: CW, MT, DT, BU



Supports continued

TAPER & INSET LEGS

DESCRIPTION

Taper and Inset Legs for use with the Novo workstation

NOTES

- Systems angled leg

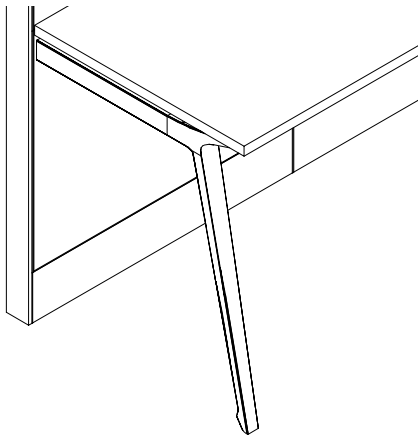
SPECIFICATION OPTIONS

product #: see charts below
finish: CW Cloud White, SV Silver, BU Black Umber

ORDER EXAMPLE

product # FHATPL.24
finish: CW Cloud White

TAPER LEGS

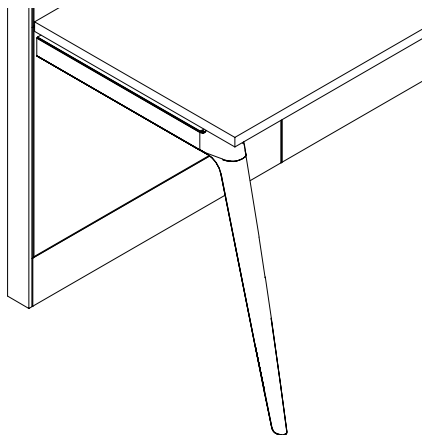


PART #	HEIGHT	DEPTH	LIST
FHATPL.24	27.5"	24"	\$557
FHATPL.30	27.5"	30"	\$568

NOTES

- Attaches to the underside of a worksurface

INSET LEGS



PART #	HEIGHT	DEPTH	LIST
FHAINL.24	27.5"	24"	\$469
FHAINL.30	27.5"	30"	\$480

NOTES

- Attaches to the underside of a worksurface

COMPONENTS

Components

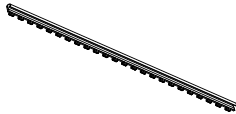
DESCRIPTION	SPECIFICATION OPTIONS
Components for the workstation.	product #: see charts below finish: page 10
NOTES	ORDER EXAMPLE
	product #: FPD finish: CW Cloud White

LED TASKLIGHT



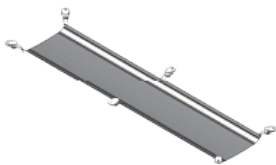
PART #	HEIGHT	WIDTH	DEPTH	WT. (LBS)	LIST	NOTES
FLED.20	0.75"	20"	1"	1	\$244	Attaches beneath a shelf or storage cabinet. It includes an LED light, motion sensor, power cord and installation hardware. The cord for the tasklight is 6 ft. long. Has a pivot range of +/-15°. For overheads 24"-36" use FLED.20 For overheads 42" or wider use FLED.38 Finish: Silver
FLED.38	0.75"	38"	1"	2	\$307	

WIRE MANAGER



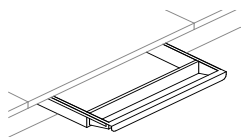
PART #	HEIGHT	WIDTH	DEPTH	WT. (LBS)	LIST	NOTES
F2WM.24	24"	.5"	—	1	\$24	This Wire Manager is used to manage electrical cords vertically. It fits between side-by-side panels, or between a panel and a connector. Finish: Black.

MESH WIRE MANAGER



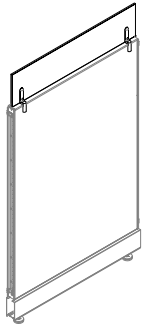
PART #	LENGTH	PRICE	NOTES
FFWM.18	18"	\$132	<ul style="list-style-type: none"> Wire manager mounts to the bottom of a worksurface to manage cords Finish: Black with red zipper

PENCIL DRAWER



PART #	HEIGHT	WIDTH	DEPTH	WT. (LBS)	LIST	NOTES
FPD	1.875"	21.125"	16.25"	5	\$208	Stores small items. Attaches under worksurface. Includes attachment hardware. Finish: DT Dark Tone, MT Medium Tone.

Frameless Glass Clear



DESCRIPTION

SPECIFICATION OPTIONS

product #: see charts below

NOTES

- Frameless Glass screens are attached to the top of a single frame with included hardware.
- Matches width of the frame.
- Package contains 2.
- Frameless glass will not fit between two taller panels at change of height. Frameless glass is narrow enough to accommodate adjacent change of height trim on one side, but not both.

ORDER EXAMPLE

product #: FHFG.0824-CL

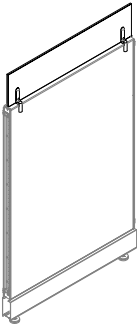
FRAMELESS GLASS 8" CLEAR

PART #	HEIGHT	WIDTH	DEPTH	WT. (LBS)	LIST	NOTES
F2FG.0824-CL	8"	23-1/4"	—	—	\$367	Includes attachment hardware, brushed finish.
F2FG.0830-CL	8"	29-1/4"	—	—	\$397	
F2FG.0836-CL	8"	35-1/4"	—	—	\$424	Package contains 2.
F2FG.0842-CL	8"	41-1/4"	—	—	\$454	
F2FG.0848-CL	8"	47-1/4"	—	—	\$483	

FRAMELESS GLASS 14" CLEAR

PART #	HEIGHT	WIDTH	DEPTH	WT. (LBS)	LIST	NOTES
F2FG.1424-CL	14"	23-1/4"	—	—	\$454	Includes attachment hardware, brushed finish.
F2FG.1430-CL	14"	29-1/4"	—	—	\$503	
F2FG.1436-CL	14"	35-1/4"	—	—	\$550	Package contains 2.
F2FG.1442-CL	14"	41-1/4"	—	—	\$598	
F2FG.1448-CL	14"	47-1/4"	—	—	\$649	

Frameless Glass Frosted



DESCRIPTION

SPECIFICATION OPTIONS

product #: see charts below

NOTES

- Frameless Glass screens are attached to the top of a single frame with included hardware.
- Matches width of the frame.
- Package contains 2.
- Frameless glass will not fit between two taller panels at change of height. Frameless glass is narrow enough to accommodate adjacent change of height trim on one side, but not both.

ORDER EXAMPLE

product #: FHFG.0824-FR

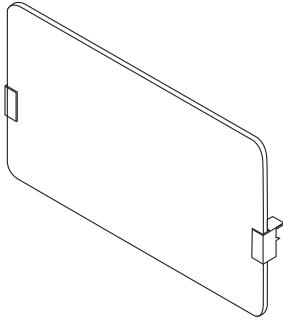
FRAMELESS GLASS 8" FROSTED

PART #	HEIGHT	WIDTH	DEPTH	WT. (LBS)	LIST	NOTES
F2FG.0824-FR	8"	23-1/4"	—	—	\$422	Includes attachment hardware, brushed finish.
F2FG.0830-FR	8"	29-1/4"	—	—	\$478	
F2FG.0836-FR	8"	35-1/4"	—	—	\$533	Package contains 2.
F2FG.0842-FR	8"	41-1/4"	—	—	\$588	
F2FG.0848-FR	8"	47-1/4"	—	—	\$643	

FRAMELESS GLASS 14" FROSTED

PART #	HEIGHT	WIDTH	DEPTH	WT. (LBS)	LIST	NOTES
F2FG.1424-FR	14"	23-1/4"	—	—	\$588	Includes attachment hardware, brushed finish.
F2FG.1430-FR	14"	29-1/4"	—	—	\$681	
F2FG.1436-FR	14"	35-1/4"	—	—	\$774	Package contains 2.
F2FG.1442-FR	14"	41-1/4"	—	—	\$864	
F2FG.1448-FR	14"	47-1/4"	—	—	\$963	

Privacy Screen, Fabric



DESCRIPTION

Work Surface mounted fabric covered privacy screen

NOTES

Fabric screen is non-tackable

Actual screen is shorter than the worktop.

Example: FPSFLUSH.2448 for use on 46"/48" width table, actual width of screen is 40"

Fabric covered privacy screens have Black Reveal.

Passage and Terrain fabric not approved for this application

SPECIFICATION OPTIONS

product #: see charts below

Paint (Brackets): CW, BU, SV

fabric: see page 6 (Passage and Terrain fabric not approved for this application)

ORDER EXAMPLE

product #: FPSFLUSH.2442

brackets: SV, Silver

fabric: PF-101-1, Slide, Caramel

Fabric Privacy Screen - Flush

PART #	HEIGHT	WIDTH	LIST
FPSFLUSH.2442	24"	34"	\$505
FPSFLUSH.2448	24"	40"	\$547
FPSFLUSH.2454	24"	46"	\$589
FPSFLUSH.2460	24"	52"	\$633
FPSFLUSH.2466	24"	58"	\$676
FPSFLUSH.2472	24"	64"	\$719

NOTES

- Privacy screen sits flush with the back of the worktop.
- Fabric covered privacy screens have Black Reveal.
- Privacy screen is 8" shorter than free standing top width and 6" shorter than a worksurface from a paneled system.

Example:

1. Actual width of FPSFLUSH.2460 is 52"

Fabric Privacy Screen - with Wire Management Gap

PART #	HEIGHT	WIDTH	LIST
FPSGAP.2442	24"	34"	\$505
FPSGAP.2448	24"	40"	\$547
FPSGAP.2454	24"	46"	\$589
FPSGAP.2460	24"	52"	\$633
FPSGAP.2466	24"	58"	\$676
FPSGAP.2472	24"	64"	\$719

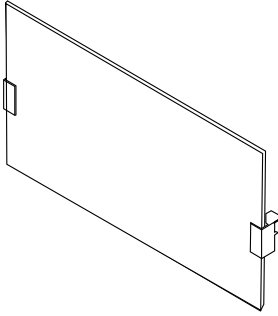
NOTES

- Fabric covered privacy screens have Black Reveal.
- With 1" gap at back of worksurface for cord/wire management.

Example:

1. Actual width of FPSGAP.2460 is 52"

Privacy Screen, Marker Board



DESCRIPTION

Work Surface mounted marker board privacy screen

NOTES

To use a wire manager on your My-Hite table with a **marker board** privacy screen, you must order "with gap".

Actual screen is shorter than the worktop.

Example: FMPSFLUSH.2448 for use on 46"/48" width table, actual width of screen is 40"

SPECIFICATION OPTIONS

product #: see charts below
Paint (Brackets): CW, BU, SV
w

ORDER EXAMPLE

product #: FMPSFLUSH.2448
brackets: SV, Silver

Marker Board Privacy Screen - Flush

PART #	HEIGHT	WIDTH	LIST
FMPSFLUSH.2442	24"	34"	\$654
FMPSFLUSH.2448	24"	40"	\$748
FMPSFLUSH.2454	24"	46"	\$843
FMPSFLUSH.2460	24"	52"	\$939
FMPSFLUSH.2466	24"	58"	\$1,034
FMPSFLUSH.2472	24"	64"	\$1,129

NOTES

- Privacy screen sits flush with the back of the worktop.
- Privacy screen is 8" shorter than free standing top width and 6" shorter than a worksurface from a paneled system.

Example:

1. Actual width of FMPSFLUSH.2460 is 52"

Marker Board Privacy Screen - with Wire Management Gap

PART #	HEIGHT	WIDTH	LIST
FMPSGAP.2442	24"	34"	\$654
FMPSGAP.2448	24"	40"	\$748
FMPSGAP.2454	24"	46"	\$843
FMPSGAP.2460	24"	52"	\$939
FMPSGAP.2466	24"	58"	\$1,034
FMPSGAP.2472	24"	64"	\$1,129

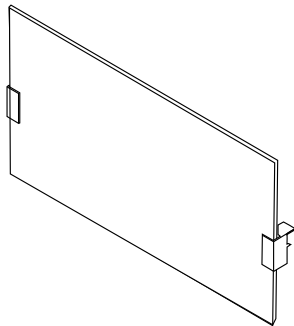
NOTES

- With 1" gap at back of worksurface for cord/wire management.

Example:

1. Actual width of FMPSGAP.2460 is 52"

Privacy Screen, Laminate



DESCRIPTION

Work Surface mounted laminate privacy screen

NOTES

To use a wire manager on your My-Hite table with a laminate privacy screen, you must order "with gap".

Actual screen is shorter than the worktop.

Example: FLPSFLUSH.2448 for use on 46"/48" width table, actual width of screen is 40"

SPECIFICATION OPTIONS

product #: see charts below
Paint (Brackets): CW, BU, SV
finish: see page 9

ORDER EXAMPLE

product #: FLPSFLUSH.2442
brackets: SV, Silver

Laminate Privacy Screen - Flush

PART #	HEIGHT	WIDTH	LIST
FLPSFLUSH.2442	24"	34"	\$344
FLPSFLUSH.2448	24"	40"	\$383
FLPSFLUSH.2454	24"	46"	\$421
FLPSFLUSH.2460	24"	52"	\$459
FLPSFLUSH.2466	24"	58"	\$498
FLPSFLUSH.2472	24"	64"	\$536

NOTES

- Privacy screen sits flush with the back of the worktop.
- Privacy screen is 8" shorter than free standing top width and 6" shorter than a worksurface from a paneled system.

Example:

1. Actual width of FLPSFLUSH.2460 is 52"

Laminate Privacy Screen - with Wire Management Gap

PART #	HEIGHT	WIDTH	LIST
FLPSGAP.2442	24"	34"	\$344
FLPSGAP.2448	24"	40"	\$383
FLPSGAP.2454	24"	46"	\$421
FLPSGAP.2460	24"	52"	\$459
FLPSGAP.2466	24"	58"	\$498
FLPSGAP.2472	24"	64"	\$536

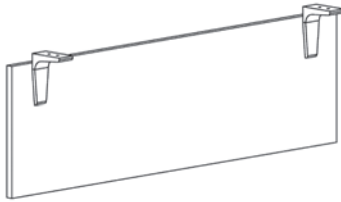
NOTES

- With 1" gap at back of worksurface for cord/wire management.

Example:

1. Actual width of FLPSGAP.2460 is 52"

Modesty Panel, Laminate



DESCRIPTION

Laminate modesty panel with matching 2mm PVC edge

NOTES

SPECIFICATION OPTIONS

product #: see charts below
Paint (Brackets) CW, BU, SV
Laminate (Modesty Panel) see page 9

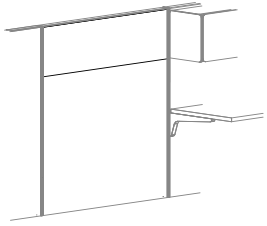
ORDER EXAMPLE

product #: FLMOD.0836
paint: CW, Cloud White
laminate: M12, Medium Walnut

Laminate Modesty Panel

PART #	HEIGHT	WIDTH	LIST	NOTES
FLMOD.0836	8"	36"	\$207	• Modesty panel is actual width
FLMOD.0842	8"	42"	\$215	
FLMOD.0848	8"	48"	\$221	
FLMOD.0854	8"	54"	\$266	
FLMOD.0860	8"	60"	\$334	
FLMOD.0866	8"	66"	\$340	
FLMOD.0872	8"	72"	\$347	
FLMOD.0884	8"	84"	\$360	
FLMOD.0896	8"	96"	\$374	
FLMOD.1636	16"	36"	\$256	
FLMOD.1642	16"	42"	\$262	
FLMOD.1648	16"	48"	\$268	
FLMOD.1654	16"	54"	\$354	
FLMOD.1660	16"	60"	\$421	
FLMOD.1666	16"	66"	\$427	
FLMOD.1672	16"	72"	\$435	
FLMOD.1684	16"	84"	\$447	
FLMOD.1696	16"	96"	\$461	

Tackboards



DESCRIPTION

Fabric covered tackable surface that attaches to panel or wall strips.

NOTES

- Includes attachment hardware.
- For "A" style components, call factory for availability
- Order tackboard to match panel width.

Passage and Terrain fabric not approved for this application

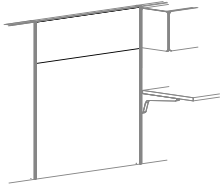
SPECIFICATION OPTIONS

product #: see charts below
fabric: see page 6 (Passage and Terrain fabric not approved for this application)

ORDER EXAMPLE

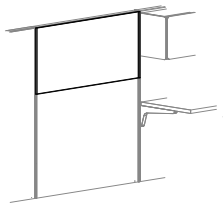
product #: FHTAKBS.0924
fabric: PF-101-1, Slide, Caramel

"B" STYLE TACKBOARD SQUARE CORNERS CURVED TOP & BOTTOM 8.5" HIGH



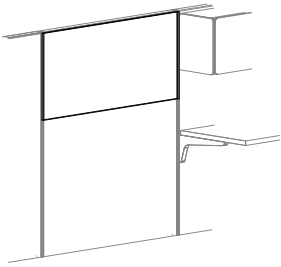
PART #	HEIGHT	WIDTH	DEPTH	WT. (LBS)	LIST	GROUP 5 UPCHARGE
FHTAKBS.0924	8.5"	24"	—	3	\$96	\$11
FHTAKBS.0930	8.5"	30"	—	4	\$103	\$11
FHTAKBS.0936	8.5"	36"	—	4	\$116	\$13
FHTAKBS.0942	8.5"	42"	—	5	\$124	\$13
FHTAKBS.0948	8.5"	48"	—	6	\$131	\$13

"B" STYLE TACKBOARD SQUARE CORNERS CURVED TOP & BOTTOM 15.5" HIGH



PART #	HEIGHT	WIDTH	DEPTH	WT. (LBS)	LIST	GROUP 5 UPCHARGE
FHTAKBS.1624	15.5"	24"	—	6	\$178	\$19
FHTAKBS.1630	15.5"	30"	—	7	\$189	\$19
FHTAKBS.1636	15.5"	36"	—	9	\$198	\$21
FHTAKBS.1642	15.5"	42"	—	10	\$207	\$21
FHTAKBS.1648	15.5"	48"	—	11	\$220	\$23

Markerboards



DESCRIPTION

Markerboards have an erasable writing surface.

SPECIFICATION OPTIONS

product #: see charts below

NOTES

- Marker and eraser not included
- Includes attachment hardware.
- For "A" style components, call factory for availability.
- Order markerboard to match panel width

ORDER EXAMPLE

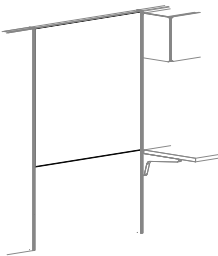
product #: F2MARBS.2424

**"B" STYLE
MARKERBOARD
SQUARE CORNERS
24" HIGH**



PART #	HEIGHT	WIDTH	DEPTH	WT. (LBS)	LIST
F2MARBS.2424	24"	24"	—	3	\$355
F2MARBS.2430	24"	30"	—	4	\$388
F2MARBS.2436	24"	36"	—	4	\$404
F2MARBS.2442	24"	42"	—	5	\$424
F2MARBS.2448	24"	48"	—	6	\$440
F2MARBS.2460	24"	60"	—	7	\$502

**"B" STYLE
MARKERBOARD
SQUARE CORNERS
48" HIGH**



PART #	HEIGHT	WIDTH	DEPTH	WT. (LBS)	LIST
F2MARBS.4824	48"	24"	—	20	\$440
F2MARBS.4830	48"	30"	—	24	\$494
F2MARBS.4836	48"	36"	—	30	\$557
F2MARBS.4842	48"	42"	—	32	\$626
F2MARBS.4848	48"	48"	—	36	\$709
F2MARBS.4860	48"	60"	—	40	\$802

Overheads and Shelves

DESCRIPTION

Metal shelf and overhead storage.

SPECIFICATION OPTIONS

product #: see charts below
support finish: page 10

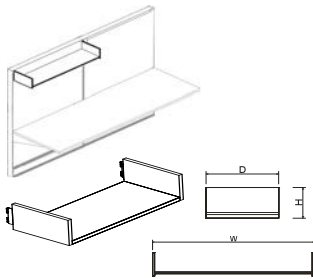
NOTES

- Two styles of profile available. Order to match sliding front overhead or pneumatic overhead

ORDER EXAMPLE

product #: FHSLSH.0824
support finish: CW Cloud White

STRAIGHT FRONT HALF HEIGHT SHELF

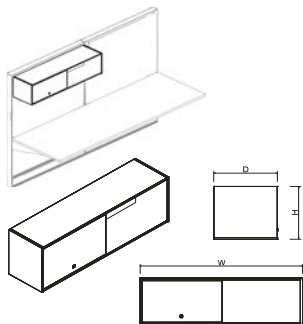


PART #	HEIGHT	WIDTH	DEPTH	WT. (LBS)	LIST
FHSLSH.0824	7.5"	24"	13.5"	12	\$159
FHSLSH.0830	7.5"	30"	13.5"	13	\$167
FHSLSH.0836	7.5"	36"	13.5"	13	\$185
FHSLSH.0842	7.5"	42"	13.5"	14	\$203
FHSLSH.0848	7.5"	48"	13.5"	15	\$221

NOTES

This shelf hangs from a frame or wall strips.
 Includes attachment hardware.
 Profile matches sliding front overhead.
 Specify Finish.

SLIDING DOOR OVERHEAD CABINET

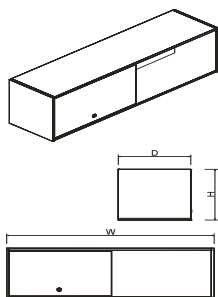


PART #	HEIGHT	WIDTH	DEPTH	WT. (LBS)	LIST
FHSLOV.1624	15.5"	24"	14.25"	21	\$448
FHSLOV.1630	15.5"	30"	14.25"	24	\$490
FHSLOV.1636	15.5"	36"	14.25"	26	\$534
FHSLOV.1642	15.5"	42"	14.25"	29	\$583
FHSLOV.1648	15.5"	48"	14.25"	32	\$632

NOTES

This lockable sliding door storage cabinet hangs from a frame or wall strips. Includes a painted sliding door front, a lock and attaching hardware.
 Lock finish: Black
 Specify Finish.

UPMOUNT SLIDING OVERHEAD CABINET



PART #	HEIGHT	WIDTH	DEPTH	WT. (LBS)	LIST
FHSLOVU.1624	15.5"	24"	14.25"	21	\$527
FHSLOVU.1630	15.5"	30"	14.25"	24	\$705
FHSLOVU.1636	15.5"	36"	14.25"	26	\$774
FHSLOVU.1642	15.5"	42"	14.25"	29	\$839
FHSLOVU.1648	15.5"	48"	14.25"	32	\$913

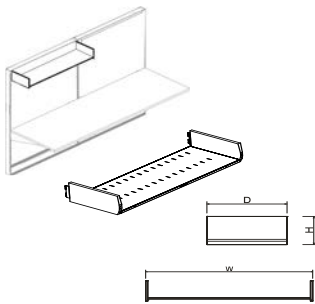
NOTES

This lockable sliding door storage cabinet is up-mounted on a panel.
 Includes a painted sliding door front, a lock and attaching hardware.
 Door locks on left side only.
 If specifying a standard (non-LED) tasklight, specify one size smaller than the cabinet size. For example, when ordering a 42" cabinet, specify a 36" standard tasklight.

Lock Finish: Black

Specify Finish.

**RADIUS FRONT
HALF HEIGHT SHELF**



PART #	HEIGHT	WIDTH	DEPTH	WT. (LBS)	LIST
FHPHSH.0824	7.5"	24"	16"	12	\$164
FHPHSH.0830	7.5"	30"	16"	13	\$172
FHPHSH.0836	7.5"	36"	16"	13	\$191
FHPHSH.0842	7.5"	42"	16"	14	\$204
FHPHSH.0848	7.5"	48"	16"	15	\$215

NOTES

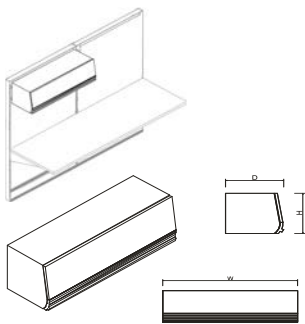
This shelf hangs from a frame or wall strips.

Includes attachment hardware.

Profile matches pneumatic overhead.

Specify Finish.

**PNEUMATIC OVERHEAD
CABINET**



PART #	HEIGHT	WIDTH	DEPTH	WT. (LBS)	LIST
FHPNOV.1624	15.5"	24"	16"	29	\$527
FHPNOV.1630	15.5"	30"	16"	31	\$577
FHPNOV.1636	15.5"	36"	16"	33	\$625
FHPNOV.1642	15.5"	42"	16"	35	\$669
FHPNOV.1648	15.5"	48"	16"	37	\$723

NOTES

This storage cabinet, with lockable pneumatic door, hangs from a frame or wall strips.

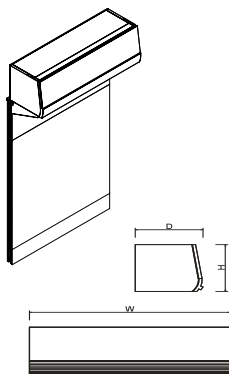
Includes pneumatic assist flipper door, a lock, and attaching hardware.

LED tasklight only.

Lock finish: Black

Specify Finish.

**UPMOUNT PNEUMATIC
OVERHEAD CABINET**



PART #	HEIGHT	WIDTH	DEPTH	WT. (LBS)	LIST
FHPNOVU.1624	15.5"	24"	16"	29	\$559
FHPNOVU.1630	15.5"	30"	16"	31	\$619
FHPNOVU.1636	15.5"	36"	16"	33	\$680
FHPNOVU.1642	15.5"	42"	16"	35	\$748
FHPNOVU.1648	15.5"	48"	16"	37	\$815

NOTES

This storage cabinet, with lockable pneumatic door, up-mounts to the top of a panel.

Includes pneumatic assist flipper door, a lock, and attaching hardware.

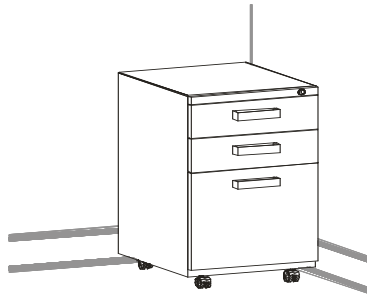
LED tasklight only.

Lock Finish: Black

Specify Finish.

STORAGE

Pedestals



DESCRIPTION

Storage with drawers.

SPECIFICATION OPTIONS

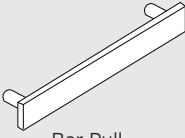
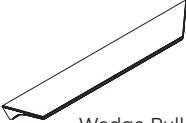
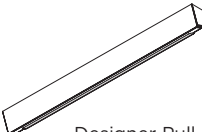

product #: see charts below
finish: page 10
pull: page 11

NOTES

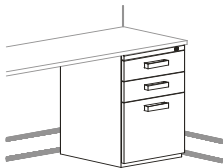
- Square drawer front
- Includes pencil tray in top drawer
- Order side-to-side file bars
- Bar Pull is the default pull; to order other pulls see upcharge below
- Specify pull when ordering
- Designer Pull has color options: specify color when ordering. See page 11
- Bar Pull will be shipped in box on ALL orders, premium pulls will ship separately
- **If a cushion is placed on a full height mobile pedestal, it will not fit under a worksurface.**

ORDER EXAMPLE

product #: FPEDSQP.BBF-MET
finish: DT
pull: Wedge pull +\$75 (see upcharge below)

	DEFAULT PULL	PULLS REQUIRING UPCHARGE		
PEDESTAL PULL OPTIONS	 Bar Pull	 Wedge Pull	 Designer Pull • Cloud White/Red • Cloud White/Green • Cloud White/Grey	 Slant Pull

BOX / BOX / FILE PEDESTAL



PART #	HEIGHT	WIDTH	DEPTH	WT. (LBS)	LIST
FPEDSQP.BBF-MET	27"	15"	20"	55	\$690
WEDGE, DESIGNER OR SLANT PULL					+ \$75

NOTES

Supporting metal pedestal with lock, without top cap. Attaches to the underside of a worksurface.

Includes pencil tray in top drawer

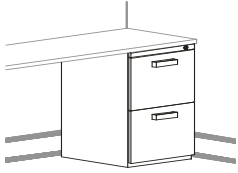
Square drawer pulls, silver color. Square drawer front.

Order side to side file bars.

Specify pull when ordering

Designer Pull has color options: specify color when ordering. (see page 11)

Pedestals / continued

FILE / FILE
PEDESTAL

PART #	HEIGHT	WIDTH	DEPTH	WT. (LBS)	LIST
FPEDSQP.FF-MET	27"	15"	20"	53	\$690
WEDGE, DESIGNER OR SLANT PULL					+ \$50

NOTES

Supporting metal pedestal with lock, without top cap. Attaches to the underside of a worksurface.

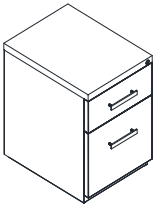
Includes pencil tray in top drawer

Square drawer pulls, silver color. Square drawer front.

Order side to side file bars.

Specify pull when ordering

Designer Pull has color options: specify color when ordering. (see page 11)

BOX / FILE
PEDESTAL MOBILE

PART #	HEIGHT	WIDTH	DEPTH	WT. (LBS)	LIST
FPEDSQP.BF-MOB-MET	22"	15"	20"	85	\$757
WEDGE, DESIGNER, OR SLANT PULL					+ \$50

NOTES

Free-standing mobile pedestal with lock and with top cap.

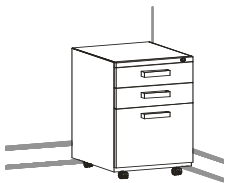
Includes pencil tray in top drawer

Square drawer pulls, silver color. Square drawer front.

Order side to side file bars.

Specify pull when ordering

Designer Pull has color options: specify color when ordering. (see page 11)

BOX / BOX / FILE
PEDESTAL MOBILE

PART #	HEIGHT	WIDTH	DEPTH	WT. (LBS)	LIST
FPEDSQP.BBF-MOB-MET	27.25"	15"	20"	85	\$898
WEDGE, DESIGNER, OR SLANT PULL					+ \$75

NOTES

Free-standing mobile pedestal with lock and with top cap.

Includes pencil tray in top drawer

Square drawer pulls, silver color. Square drawer front.

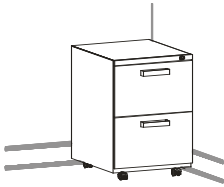
Order side to side file bars.

Specify pull when ordering

Designer Pull has color options: specify color when ordering. (see page 11)

If a cushion is placed on a full height mobile pedestal, it will not fit under a worksurface.

Pedestals / continued

FILE / FILE
PEDESTAL MOBILE

PART #	HEIGHT	WIDTH	DEPTH	WT. (LBS)	LIST
FPEDSQ.FF-MOB-MET	27.25"	15"	20"	76	\$898
WEDGE, DESIGNER, OR SLANT PULL					+ \$50

NOTES

Free-standing mobile pedestal with lock and with top cap.

Includes pencil tray in top drawer

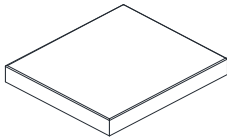
Square drawer pulls, silver color. Square drawer front.

Order side to side file bars.

Specify pull when ordering

Designer Pull has color options: specify color when ordering. (see page 11)

If a cushion is placed on a full height mobile pedestal, it will not fit under a worksurface.

BOX / FILE PEDESTAL
MOBILE CUSHION

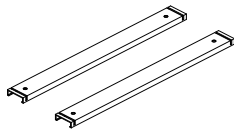
PART #	HEIGHT	WIDTH	DEPTH	WT. (LBS)	LIST
FPEDSQ.CUSH	1.75"	15"	20"	—	\$345

NOTES

For Box/File mobile pedestal only.

Passage and Terrain fabrics cannot be used on mobile cushions. (See page 6)

If a cushion is placed on a full height mobile pedestal, it will not fit under a worksurface.

SIDE-TO-SIDE
FILE BARS

PART #	HEIGHT	WIDTH	DEPTH	WT. (LBS)	LIST
FSSB	—	—	—	1	\$23

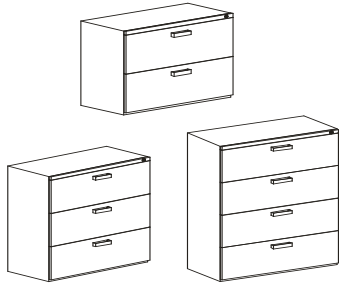
NOTES

Side-to-side File Bars for filing letter or legal size folders.

Order one per file drawer.

Finish: Black.

Lateral Files



DESCRIPTION

Storage with drawers.

SPECIFICATION OPTIONS

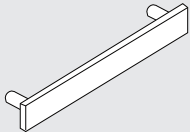

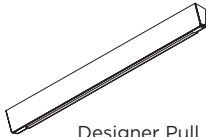
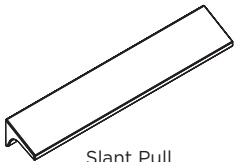
product #: see charts below
finish: page 10
pull: page 11

NOTES

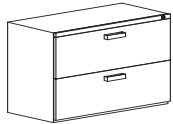
- Freestanding 3- and 4-drawer lateral files must be bolted together or bolted to a wall
- Specify pull when ordering.
- Designer pull has color options: specify color when ordering. (See page 11)
- Bar Pull will be shipped in box on ALL orders, Premium Pulls will ship separately

ORDER EXAMPLE

product #: FLFSQP-2-30-MET
finish: DT
pull: Designer pull - Cloud White/Red - + \$75 (see upcharge below)

	DEFAULT PULL	PULLS REQUIRING UPCHARGE		
LATERAL FILES PULL OPTIONS	 Bar Pull	 Wedge Pull	 Designer Pull • Cloud White/Red • Cloud White/Green • Cloud White/Grey	 Slant Pull

2 DRAWER LATERAL FILES

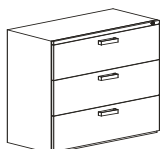


PART #	HEIGHT	WIDTH	DEPTH	WT. (LBS)	LIST
FLFSQP-2-30-MET	27.5"	30"	20"	103	\$1,239
FLFSQP-2-36-MET	27.5"	36"	20"	123	\$1,503
FLFSQP-2-42-MET	27.5"	42"	20"	151	\$1,539
WEDGE, DESIGNER OR SLANT PULL					+ \$50

NOTES

Supporting lateral file with lock and finished top cap.
 Square drawer pulls, silver color. Square drawer front.
 Order front to back file bars.
 Order counterweight to convert to free-standing lateral file.
 Specify pull when ordering
 Designer Pull has color options: specify color when ordering. (see page 11)

FREE-STANDING 3-DRAWER LATERAL FILES WITH TOP CAP



PART #	HEIGHT	WIDTH	DEPTH	WT. (LBS)	LIST
FLFSQP-3-30-MET	40"	30"	20"	121	\$1,604
FLFSQP-3-36-MET	40"	36"	20"	151	\$1,811
FLFSQP-3-42-MET	40"	42"	20"	181	\$1,970
WEDGE, DESIGNER OR SLANT PULL					+ \$75

NOTES

Supporting lateral file with lock and finished top cap.
 Square drawer pulls, silver color. Square drawer front.
 Order front to back file bars
 Specify pull when ordering.
 Designer Pull has color options: specify color when ordering. (see page 11)

Lateral Files / continued

**FREE-STANDING
4-DRAWER LATERAL
FILES WITH TOP CAP**



PART #	HEIGHT	WIDTH	DEPTH	WT. (LBS)	LIST
FLFSQP-4-30-MET	51.5"	30"	20"	173	\$2,031
FLFSQP-4-36-MET	51.5"	36"	20"	196	\$2232
FLFSQP-4-42-MET	51.5"	42"	20"	241	\$2440
WEDGE, DESIGNER OR SLANT PULL					+\$100

NOTES

Supporting lateral file with lock and finished top cap.

Square drawer pulls, silver color. Square drawer front.

Order front to back file bars.

Specify pull when ordering.

Designer Pull has color options: specify color when ordering. (see page 11)

**LATERAL FILE
COUNTERWEIGHT**

PART #	USAGE	WT. (LBS)	LIST
FLFCW-30	use with 30" W lateral file *	23	\$69
FLFCW-36	use with 36" W lateral file **	46	\$104
FLFCW-42	use with 42" W lateral file **	46	\$104

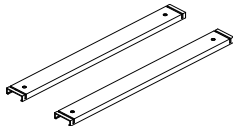
NOTES

Attaches securely to the inside back of the lateral file.

For use with 2-Drawer lateral files only.

* Includes one 20 lb counterweight
** Includes two 20 lb counterweights, for a total of 40 lbs of counterweight

**FRONT-TO-BACK
FILE BARS**



PART #	HEIGHT	WIDTH	DEPTH	WT. (LBS)	LIST
FFB	3/8"	1 3/16"	15 11/16"	1	+\$26

NOTES

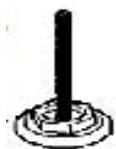
Front to back file bars.

Package of two.

Order one package of two per drawer.

Color: Black.

EXTENDED GLIDES



PART #	HEIGHT	WIDTH	DEPTH	PRICE
FLFEG4.2				\$53

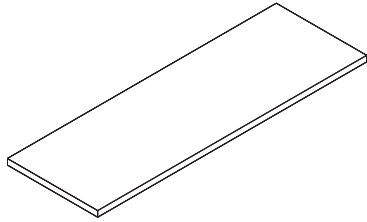
NOTES

Lateral file extended glide 2", pack of 4, for use with metal 2 drawer lateral files.

Order (1) pack per lateral file.

No finish selection

Lateral File Tops Laminate



DESCRIPTION

Laminate top for lateral file.

NOTES

- Extended sizes are available, please contact Customer Service for details.

SPECIFICATION OPTIONS

product #: see charts below

finish: see page 10

edge finish: see page 9

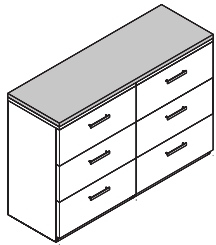
ORDER EXAMPLE

product #: FLFSQTOP.2030

finish: M1

edge finish: E1

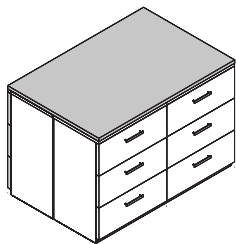
LATERAL FILE LAMINATE TOPS, 20" DEEP



PART #	HEIGHT	WIDTH	DEPTH	PRICE
FLFSQTOP.2030	1.19"	30"	20"	\$247
FLFSQTOP.2036	1.19"	36"	20"	\$289
FLFSQTOP.2042	1.19"	42"	20"	\$317
FLFSQTOP.2060	1.19"	60"	20"	\$530
FLFSQTOP.2066	1.19"	66"	20"	\$547
FLFSQTOP.2072	1.19"	72"	20"	\$564
FLFSQTOP.2078	1.19"	78"	20"	\$592
FLFSQTOP.2084	1.19"	84"	20"	\$620
FLFSQTOP.2090	1.19"	90"	20"	\$675
FLFSQTOP.2096	1.19"	96"	20"	\$861

NOTES

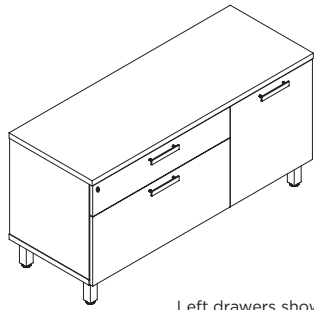
LATERAL FILE LAMINATE TOPS, 40" DEEP



PART #	HEIGHT	WIDTH	DEPTH	PRICE
FLFSQTOP.4030	1.19"	30"	40"	\$517
FLFSQTOP.4036	1.19"	36"	40"	\$592
FLFSQTOP.4042	1.19"	42"	40"	\$626
FLFSQTOP.4060	1.19"	60"	40"	\$757
FLFSQTOP.4066	1.19"	66"	40"	\$791
FLFSQTOP.4072	1.19"	72"	40"	\$826
FLFSQTOP.4078	1.19"	78"	40"	\$878
FLFSQTOP.4084	1.19"	84"	40"	\$929
FLFSQTOP.4090	1.19"	90"	40"	\$1,033
FLFSQTOP.4096	1.19"	96"	40"	\$1,239

NOTES

Freestanding Credenza Units



Left drawers shown

DESCRIPTION

Locking storage unit with drawers, door and feet.

NOTES

- Drawers can be specified L for left side drawers or R for right side drawers
- Drawers are always 30" wide. Closed door shelf size varies based on the width.
- Specify pull when ordering
- Designer pull has color options: specify color when ordering. (See page 11)

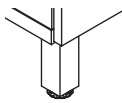
SPECIFICATION OPTIONS

product #: see charts below
top, front & casing finish: See page 9
drawer side: L for Left, R for Right
feet: Post, Taper or Inset (note finishes below)
pull: See page 11

ORDER EXAMPLE

product #: FCREDSQAP.1842L
top finish: M13
front finish: M28
casing finish: M28
foot: TAPER
foot finish: SV
pull: Slant pull

CREDENZA FEET OPTIONS



Post foot



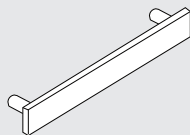
Taper foot (CW, BU, SV)



Inset foot (CW, BU, SV)

CREDENZA PULL OPTIONS

DEFAULT PULL

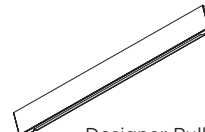


Bar Pull

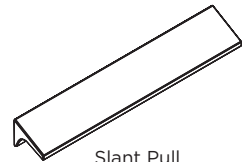
PREMIUM PULLS



Wedge Pull

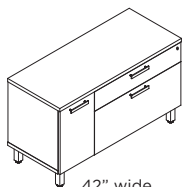


Designer Pull
 • Cloud White/Red
 • Cloud White/Green
 • Cloud White/Grey

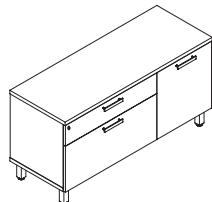


Slant Pull

FREESTANDING CREDENZA



42" wide
Right drawers shown

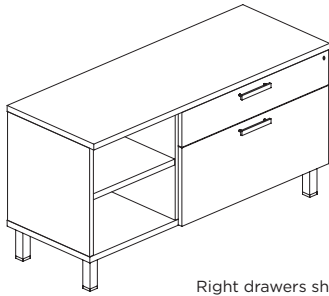


48" wide
Left drawers shown

PART #	HEIGHT	WIDTH	DEPTH	WT. (LBS)	PRICE	NOTES
FCREDSQAP.1842L	26"	42"	18"	—	\$1,704	Freestanding Credenza with feet, storage unit and drawers.
FCREDSQAP.1842R	26"	42"	18"	—	\$1,704	
FCREDSQAP.1848L	26"	48"	18"	—	\$1,864	Square drawer front
FCREDSQAP.1848R	26"	48"	18"	—	\$1,864	Drawers are always 30" wide. Closed door shelf size varies based on the width.
FCREDSQAP.1860L	26"	60"	18"	—	\$2099	
FCREDSQAP.1860R	26"	60"	18"	—	\$2099	Specify pull when ordering

Designer pull has color options: specify color when ordering. (See page 11)

Freestanding Credenza Units



Right drawers shown

DESCRIPTION

Locking storage unit with drawers and open shelves.

NOTES

- Drawers can be specified L for left side drawers or R for right side drawers
- Drawers are always 30" wide. Open shelf size varies based on the width.
- Specify pull when ordering
- Designer pull has color options: specify color when ordering. (See page 11)

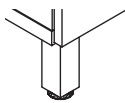
SPECIFICATION OPTIONS

product #: see charts below
top, front & casing finish: See page 9
drawer side: L for Left, R for Right
feet: Post, Taper or Inset (note finishes below)
pull: See page 11

ORDER EXAMPLE

product #: FCREDSQOP.1842L
top finish: M13
front finish: M28
casing finish: M28
foot: TAPER
foot finish: SV
pull: Slant pull

CREDENZA FEET OPTIONS



Post foot (Brushed only)

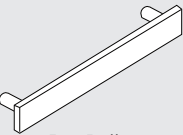


Taper foot (CW, BU, SV)

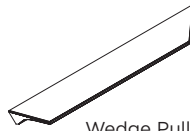


Inset foot (CW, BU, SV)

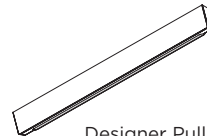
CREDENZA PULL OPTIONS



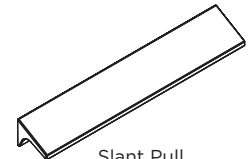
Bar Pull



Wedge Pull

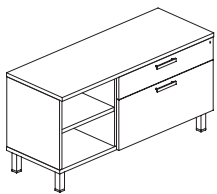


Designer Pull
 • Cloud White/Red
 • Cloud White/Green
 • Cloud White/Grey



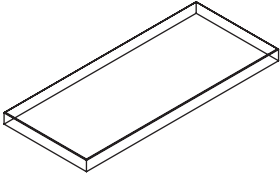
Slant Pull

FREESTANDING CREDENZA



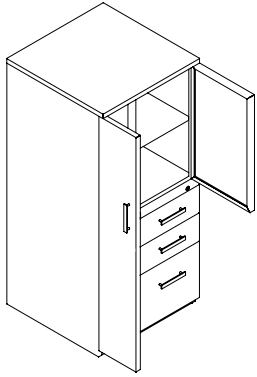
Right drawers shown

PART #	HEIGHT	WIDTH	DEPTH	WT. (LBS)	PRICE	NOTES
FCREDSQOP.1842L	26"	42"	18"	—	\$1,252	Freestanding Credenza with feet, open shelves and drawers.
FCREDSQOP.1842R	26"	42"	18"	—	\$1,252	
FCREDSQOP.1848L	26"	48"	18"	—	\$1,392	Square drawer front
FCREDSQOP.1848R	26"	48"	18"	—	\$1,392	Drawers are always 30" wide. Open shelf size varies based on the width.
FCREDSQOP.1860L	26"	60"	18"	—	\$1,595	
FCREDSQOP.1860R	26"	60"	18"	—	\$1,595	Specify pull when ordering Designer pull has color options: specify color when ordering. (See page 11)

CREDENZA CUSHION

PART #	HEIGHT	WIDTH	DEPTH	WT. (LBS)	PRICE	NOTES
FCREDSQ.CUSH30	1.75"	30"	18"	—	\$356	For use with Credenza only.
FCREDSQ.CUSH36	1.75"	36"	18"	—	\$363	Specify standard fabric.
FCREDSQ.CUSH42	1.75"	42"	18"	—	\$409	Passage and Terrain fabrics can not be used on mobile cushions. (See page 6)
FCREDSQ.CUSH48	1.75"	48"	18"	—	\$455	
FCREDSQ.CUSH60	1.75"	60"	18"	—	\$546	

Freestanding Towers



Left side wardrobe shown.

DESCRIPTION

Metal storage tower with drawers, door, and wardrobe.

NOTES

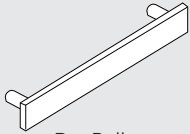
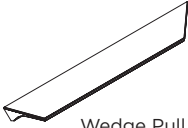
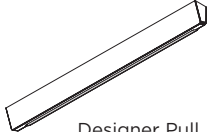
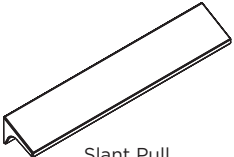
- Drawers have lock
- Door and cabinet do not have locks
- Specify pull when ordering
- Designer pull has color options: specify color when ordering. (See page 11)
- Bar Pull will be shipped in box on ALL orders, Premium Pulls will ship separately

SPECIFICATION OPTIONS

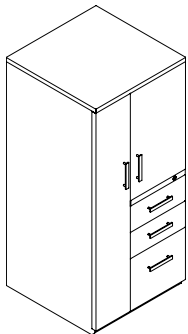
product #: see charts below
finish: page 10
wardrobe side: L for Left, R for Right
pull: page 11

ORDER EXAMPLE

product #: FCREDSQAP.1842L
finish: CW
wardrobe side: L
pull: Slant pull +75 (see upcharge below)

	DEFAULT PULL	PULLS REQUIRING UPCHARGE		
PEDESTAL PULL OPTIONS	 Bar Pull	 Wedge Pull	 Designer Pull • Cloud White/Red • Cloud White/Green • Cloud White/Grey	 Slant Pull

FREESTANDING TOWERS 53" HIGH

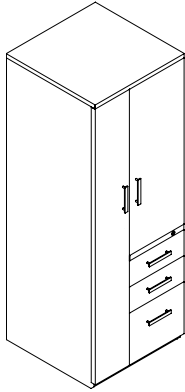


Left side wardrobe shown.

PART #	HEIGHT	WIDTH	DEPTH	WT. (LBS)	LIST	NOTES
FTBBFP.2453L	53"	24"	24"	—	\$2,271	Free-standing tower, 53" high Square pulls, silver color Square drawer front Order side to side file bars Specify wardrobe on left or right side Specify pull when ordering Designer pull has color options: specify color when ordering. (See page 11)
FTBBFP.2453R	53"	24"	24"	—	\$2,271	
WEDGE, DESIGNER OR SLANT PULL					+\$125	

Freestanding Towers / continued

FREESTANDING TOWERS 67" HIGH

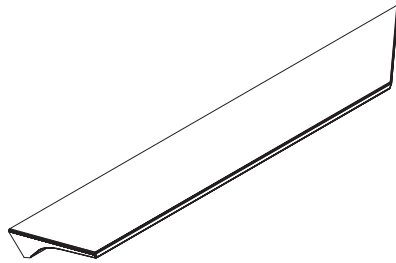


Left side wardrobe shown.

PART #	HEIGHT	WIDTH	DEPTH	WT. (LBS)	LIST	NOTES
FTBBFP.2467L	67"	24"	24"	—	\$2,840	Free-standing tower, 67" high
FTBBFP.2467R	67"	24"	24"	—	\$2,840	Square pulls, silver color Square drawer front Order side to side file bars
WEDGE, DESIGNER OR SLANT PULL					+\$125	Specify wardrobe on left or right side Specify pull when ordering Designer pull has color options: specify color when ordering. (See page 11)

PULLS

Pulls Lateral



DESCRIPTION

3 different pull options to choose from

NOTES

- Wedge Pull for Lateral
- Designer pull has color options: specify color when ordering. (See chart below)
- Slant Pull for Lateral

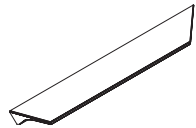
SPECIFICATION OPTIONS

product #: see charts below
pull: see charts below

ORDER EXAMPLE

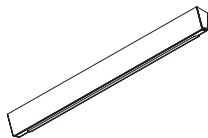
product #: WEDGE-PULL-244
pull: Wedge

WEDGE PULL FOR LATERAL



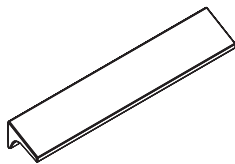
PART #	WT. (LBS)	LIST	NOTES
WEDGE-PULL-244	—	\$25	Wedge Pull for Lateral

DESIGNER PULL FOR LATERAL



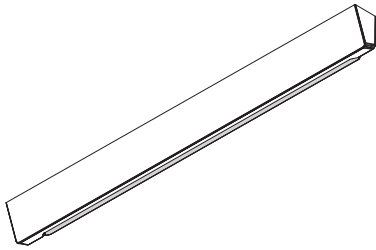
PART #	WT. (LBS)	LIST	NOTES
DESIGNER-PULL-250-RED	—	\$25	Designer Pull is CW (Cloud White) with non-slip color trim on underside. Trim available in 3 colors: Red, Green, and Grey
DESIGNER-PULL-250-GREEN	—	\$25	
DESIGNER-PULL-250-GREY	—	\$25	

SLANT PULL FOR LATERAL



PART #	WT. (LBS)	LIST	NOTES
SLANT-PULL-244	—	\$25	Slant Pull for Lateral

Pulls Pedestal



DESCRIPTION

3 different pull options to choose from

NOTES

- Wedge Pull for Pedestal
- Designer pull has color options: specify color when ordering. (See chart below)
- Slant Pull for the Pedestal

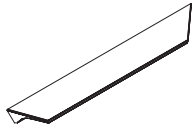
SPECIFICATION OPTIONS

product #: see charts below
pull: see charts below

ORDER EXAMPLE

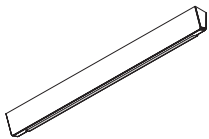
product #: DESIGNER-PULL-250-RED
pull: Designer Pull, RED

WEDGE PULL FOR PEDESTAL



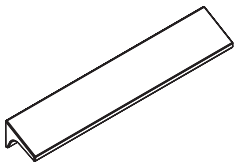
PART #	WT. (LBS)	LIST	NOTES
WEDGE-PULL-167	—	\$25	Wedge Pull for Pedestal

DESIGNER PULL FOR PEDESTAL



PART #	WT. (LBS)	LIST	NOTES
DESIGNER-PULL-250-RED	—	\$25	Designer Pull is CW (Cloud White) with non-slip color trim on underside. Trim available in 3 colors: Red, Green, and Grey
DESIGNER-PULL-250-GREEN	—	\$25	
DESIGNER-PULL-250-GREY	—	\$25	

SLANT PULL FOR PEDESTAL



PART #	WT. (LBS)	LIST	NOTES
SLANT-PULL-167	—	\$25	Slant Pull for Pedestal

ACCESSORIES

Accessories

DESCRIPTION

Workstation accessories.

SPECIFICATION OPTIONS

product #: see charts below
finish: page 10

NOTES

ORDER EXAMPLE

product #: FTB.24
finish: CW

DESK MOUNTED POWER UNIT



PART

FPWR.DM

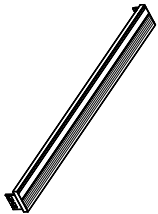
PRICE

\$395

NOTES

- Worksurface mounted power unit
- The power cord comes attached to the unit. The cord measures approximately 6 ft in length.
- Includes 3 plugs and 2 USB ports
- Distributes up to 10 amps
- Available in BU and CW

TOOL BARS



PART

FTB.24

HEIGHT

3.5"

WIDTH

24"

DEPTH

0.75"

WT. (LBS)

2

LIST

\$81

NOTES

FTB.30

3.5"

30"

0.75"

2

\$99

FTB.36

3.5"

36"

0.75"

3

\$116

FTB.42

3.5"

42"

0.75"

3

\$134

FTB.48

3.5"

48"

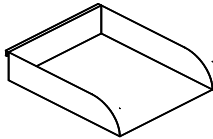
0.75"

4

\$149

- Attaches to a panel of same width.
- Mounting hardware included.

FLAT PAPER TRAY



PART

FFPT

HEIGHT

3"

WIDTH

10"

DEPTH

12"

WT. (LBS)

2

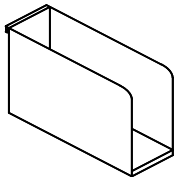
LIST

\$44

NOTES

Order tool bar separately.

VERTICAL SINGLE TRAY



PART

FVST

HEIGHT

8"

WIDTH

4"

DEPTH

12"

WT. (LBS)

2

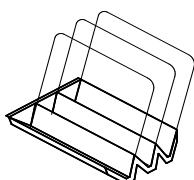
LIST

\$42

NOTES

Order tool bar separately.

VERTICAL TRIPLE TRAY



PART

FVTT

HEIGHT

11"

WIDTH

12"

DEPTH

12"

WT. (LBS)

4

PRICE

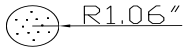
\$82

NOTES

Order tool bar separately.

Accessories

CARPET GRIPPER



PART #	HEIGHT	WIDTH	DEPTH	WT. (LBS)	PRICE
FTCG	—	2.125"	—	0.25	\$6

- NOTES
- Plastic Gripper fits onto the adjustable glides of panel.
 - Finish: Black
 - Do not use on hard surface flooring.

SINGLE MONITOR ARM



PART #	HEIGHT	WIDTH	DEPTH	WT. (LBS)	LIST
FMA-S	—	—	—	—	\$598

- NOTES
- CW, SV, BU Finish
 - Includes attachment hardware for clamp, grommet and Verity track mount.

DUAL MONITOR ARM



PART #	HEIGHT	WIDTH	DEPTH	WT. (LBS)	LIST
FMA-D	—	—	—	—	\$854

- NOTES
- CW, SV, BU Finish
 - Includes attachment hardware for clamp, grommet and Verity track mount.

Accessories

Keyed-Alike Information

DESCRIPTION

All Friant pedestals, lateral files and overhead cabinets can be keyed-alike.

SPECIFICATION OPTIONS

product #: see charts below

NOTES

- Keyed-Alike Lock Cores are sold in sets of 4 or 6.
- Each set of keyed alike cores includes the cores, each core has two keys and all cores are the same lock number.
- Lock core removal/change keys will need to be ordered separately.
- Specific lock numbers are unavailable

ORDER EXAMPLE

product #: METAL1-KEY-ALIKE-6

KEYED-ALIKE LOCKS

METAL STORAGE

PART #	DESCRIPTION	LIST
METAL1-KEY-ALIKE-4	Lock Core Keyed-Alike (set of 4)-Type 1 Metal Storage	\$146
METAL1-KEY-ALIKE-6	Lock Core Keyed-Alike (set of 6)-Type 1 Metal Storage	\$220
METAL1-FCK	Lock Core Change Key - Type 1 Metal Storage	\$22
METAL1 -FMK	Lock Core Master Key - Type 1 Metal Storage	\$22
METAL1-KEYBLANK	Key Blank - Type 1 Metal Storage	\$3 each
METAL1-KEY-CORE	Single Lock Core - Type 1 Metal Storage	\$35 each

LAMINATE CREDENZAS

PART #	DESCRIPTION	PRICE
LAM1-KEY-ALIKE-4	Lock Core Keyed-Alike (set of 4) - Type 1 Laminate Storage	\$146
LAM1-KEY-ALIKE-6	Lock Core Keyed-Alike (set of 6)-Type 1 Laminate Storage	\$220
LAM1-FCK	Lock Core Change Key - Type 1 Laminate Storage	\$22
LAM1-FMK	Lock Core Master Key - Type 1 Laminate Storage	\$22
LAM1-KEY-CORE	Single Lock Core - Type 1 Laminate Storage	\$35 each