

VERITY PARTS LIST

Verity Parts List Table of Contents

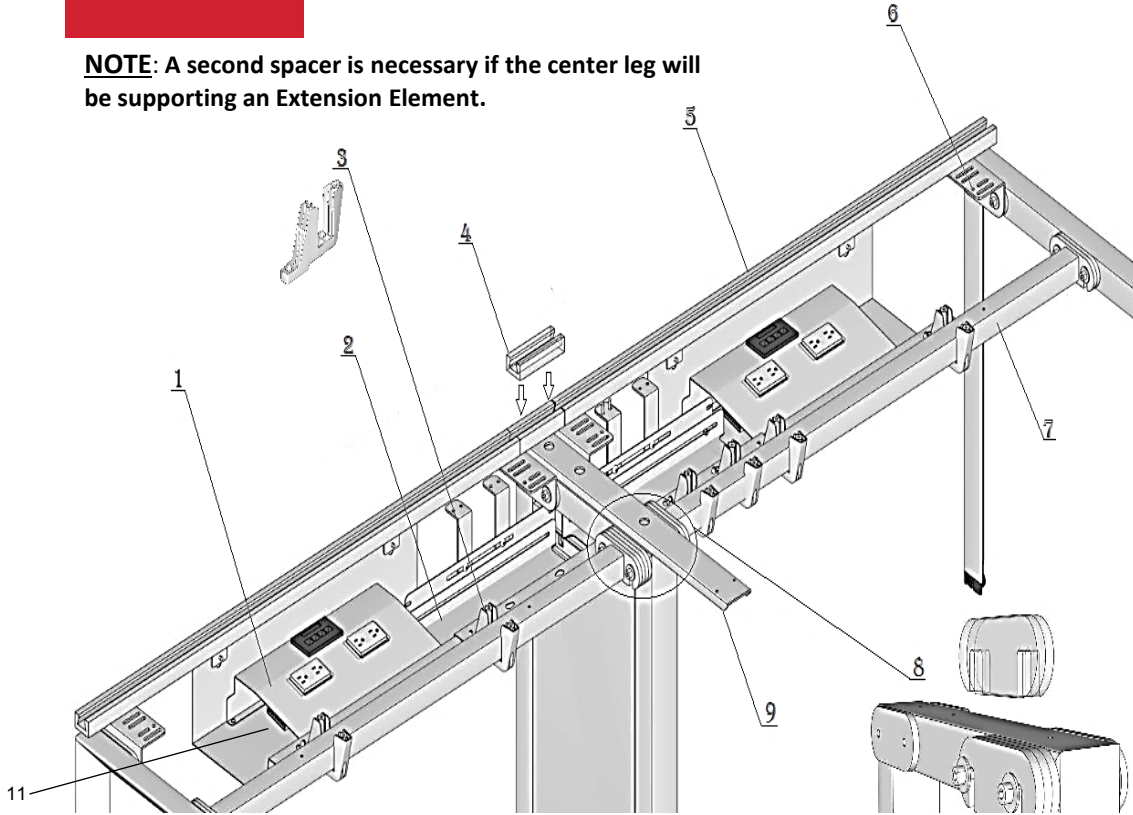
| | | | |
|--|----|--|----|
| Starter End Elements | | SUPPORTING STORAGE | |
| Starter/End Element, Single-Sided | 2 | Pedestal | 29 |
| Non-powered | | Credenza | 32 |
| Powered | | | |
| Starter/End Element, Double-Sided | 4 | Electrical Distribution | |
| Non-powered | | Power Pole | 33 |
| Powered | | Receptacle, Data Port Plate, Power Retro | 34 |
| Starter/End Element, 120 deg. 3 Pack | 6 | Jumpers | 35 |
| Non-powered | | | |
| Powered | | Return Worksurface | |
| | | A-Style Attachment | 36 |
| | | B-Style Attachment | 37 |
| Extension Elements | | STORAGE | |
| Extension Element, Single-Sided | 8 | Mobile Pedestal, Laminate | 38 |
| Non-Powered | | Mobile Pedestal, Metal | 40 |
| Powered | | Support for Over-Worksurface Storage | 41 |
| Extension Element, Double-Sided | 10 | | |
| Non-Powered | | TRACK-MOUNTED ACCESSORIES | |
| Powered | | Fabric Tackboard | 42 |
| Extension Element, 120° 3 Pack | 12 | Glass Screen | 44 |
| Non-Powered | | Open Shelf | 45 |
| Powered | | | |
| Stand-Alone Elements | | Privacy Screens | 46 |
| Stand-Alone Element, Single-Sided for 96"W Worksurface | 14 | Modesty Panel, Laminate | 47 |
| Stand-Alone Element, Single-Sided | 16 | | |
| Non-Powered | | Worksurface-Mounted Accessories | 48 |
| Powered | | Fabric Tackboard | |
| Stand-Alone Element, Double-Sided | 18 | Glass Screen | |
| Non-Powered | | Markerboard Screen | |
| Powered | | Modesty Panel (Under Surface-Mounted) | 50 |
| Stand-Alone Element, 120° 3 Pack | 20 | | |
| Non-Powered | | | |
| Powered | | | |
| Worksurface Supports | | | |
| Worksurface Supports, Single-Sided | | | |
| For Start/End of Run | 21 | | |
| For Center of a Run | 23 | | |
| Worksurface Supports, Double-Sided | | | |
| For Start/End of a Run | 25 | | |
| For Center of a Run | 27 | | |



Verity

Starter/End Element, Single-Sided
 Powered - FVSES.XXXX-E4
 Non-Powered - FVSES.XXXX-N

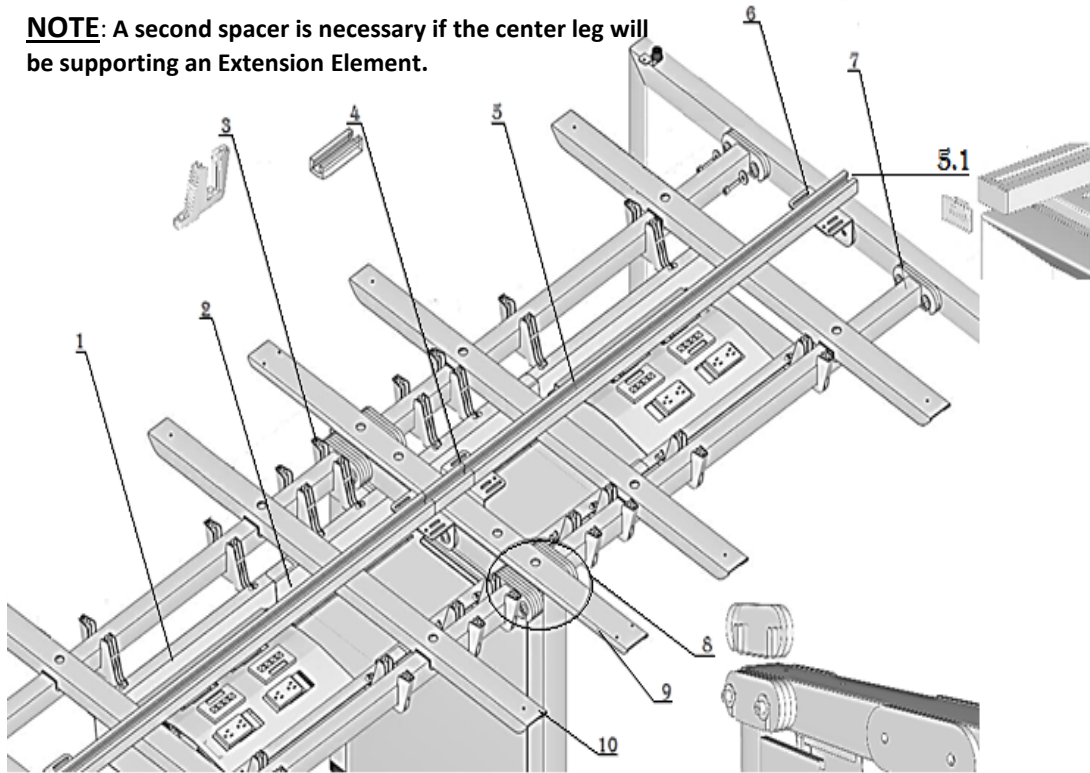
NOTE: A second spacer is necessary if the center leg will be supporting an Extension Element.



| No. | Part Number | Description | Finish Selection | List |
|-----|-------------|--|------------------|-------|
| 1 | FV-DQS-01 | SINGLE Trough w/screws M4*6(8), (NO POWER) | YES | \$80 |
| | FV-DQS | SINGLE Trough w/screws M4*6(8), (WITH POWER) | YES | \$184 |
| 2 | FV-DZXSA | Connecting Trough, Single-Sided | YES | \$91 |
| 3 | FV-PL01 | Trough support brackets | YES | \$12 |
| 4 | FV-A5HC | Filler Track (5 inch) | YES | \$33 |
| | FV-A48-HC | Track for use with start/end structure w/screw 45.5 inch M6*8(6), Plastic Cap(1) | YES | \$299 |
| 5 | FV-A54-HC | Track for use with start/end structure w/screw 51.5 inch M6*8(6), Plastic Cap(1) | YES | \$328 |
| | FV-A60-HC | Track for use with start/end structure w/screw 57.5 inch M6*8(6), Plastic Cap(1) | YES | \$357 |

| No. | Part Number | Description | Finish Selection | List |
|-----|-------------|---|------------------|-------|
| 5 | FV-A66-HC | Track for use with start/end structure w/screw 63.5 inch M6*8(6), Plastic Cap(1) | YES | \$385 |
| | FV-A72-HC | Track for use with start/end structure w/screw 69.5 inch M6*8(6), Plastic Cap(1) | YES | \$414 |
| | FV-A78-HC | Track for use with start/end structure w/screw 75.5 inch M6*8(6), Plastic Cap(1) | YES | \$443 |
| | FV-A84-HC | Track for use with start/end structure w/screw 81.5 inch M6*8(6), Plastic Cap(1) | YES | \$472 |
| 6 | FV-LJP3 | Worksurface Trough support T-bracket w/screws M8*25(4) | YES | \$15 |
| 7 | FV-GHL-48 | Beams(43") w/screw M8*35(4) | YES | \$144 |
| | FV-GHL-50 | Beams(45") W/screw M8*35(4) | YES | \$144 |
| | FV-GHL-54 | Beams(49") w/screw M8*35(4) | YES | \$144 |
| | FV-GHL-60 | Beams(55") w/screw M8*35(4) | YES | \$171 |
| | FV-GHL-62 | Beams(57") W/screw M8*35(4) | YES | \$178 |
| | FV-GHL-66 | Beams(61") w/screw M8*35(4) | YES | \$185 |
| | FV-GHL-72 | Beams(67") w/screw M8*35(4) | YES | \$199 |
| | FV-GHL-78 | Beams(73") w/screw M8*35(4) | YES | \$213 |
| | FV-GHL-84 | Beams(79") w/screw M8*35(4) | YES | \$226 |
| 7.1 | FV.GHL.H | Hardware kit for Verity Beam, set of (4) M8*35 screws and washers | | \$3 |
| 8 | FV-PL02 | Spacer | YES | \$12 |
| 9 | FV-GZCB01B | SINGLE Worksurface support bracket OVER PANEL LEG w/screw M6*10(2) 24,30 inch deep worksurfaces | YES | \$80 |
| 10 | FV-GZCB02B | SINGLE Worksurface support bracket w/screw M6*10(2) used in 24 inch/30 inch deep worksurfaces | YES | \$76 |
| | FVGR3812 | Grommet | Yes | \$122 |
| 11 | FISP03-1 | Festoon - 18" | NO | \$90 |

NOTE: A second spacer is necessary if the center leg will be supporting an Extension Element.



| No. | Part Number | Description | Finish Selection | List |
|-----|-------------|--|------------------|-------|
| 1 | FV-DQD-01 | DOUBLE Trough w/screw M4*6(8), POWER RETRO (NO POWER) | YES | \$97 |
| | FV-DQD | DOUBLE Trough w/screw M4*6(8), (WITH POWER) | YES | \$490 |
| 2 | FV-DZXDA | Connecting Trough, Double-Sided | YES | \$130 |
| 3 | FV-PL01 | Trough support brackets | YES | \$12 |
| 4 | FV-A5HC | Filler Track (5 inch) | YES | \$33 |
| 5 | FV-A48-HC | Track for use with start/end structure w/screw 45.5 inch M6*8(6), Plastic Cap(1) | YES | \$299 |
| | FV-A54-HC | Track for use with start/end structure w/screw 51.5 inch M6*8(6), Plastic Cap(1) | YES | \$328 |
| | FV-A60-HC | Track for use with start/end structure w/screw 57.5 inch M6*8(6), Plastic Cap(1) | YES | \$357 |

| No. | Part Number | Description | Finish Selection | List |
|------------|-------------|---|------------------|-------|
| 5 | FV-A66-HC | Track for use with start/end structure w/screw 63.5 inch M6*8(6), Plastic Cap(1) | YES | \$385 |
| | FV-A72-HC | Track for use with start/end structure w/screw 69.5 inch M6*8(6), Plastic Cap(1) | YES | \$414 |
| | FV-A78-HC | Track for use with start/end structure w/screw 75.5 inch M6*8(6), Plastic Cap(1) | YES | \$443 |
| | FV-A84-HC | Track for use with start/end structure w/screw 81.5 inch M6*8(6), Plastic Cap(1) | YES | \$472 |
| 5.1 | FV-PL04 | CAP for Track | YES | \$12 |
| 6 | FV-LJP3 | Worksurface Trough support T-bracket w/screws M8*25(4) | YES | \$15 |
| 7 | FV-GHL-48 | Beams(43") w/screw M8*35(4) | YES | \$144 |
| | FV-GHL-50 | Beams(45") W/screw M8*35(4) | YES | \$144 |
| | FV-GHL-54 | Beams(49") w/screw M8*35(4) | YES | \$144 |
| | FV-GHL-60 | Beams(55") w/screw M8*35(4) | YES | \$171 |
| | FV-GHL-62 | Beams(57") W/screw M8*35(4) | YES | \$178 |
| | FV-GHL-66 | Beams(61") w/screw M8*35(4) | YES | \$185 |
| | FV-GHL-72 | Beams(67") w/screw M8*35(4) | YES | \$199 |
| | FV-GHL-78 | Beams(73") w/screw M8*35(4) | YES | \$213 |
| | FV-GHL-84 | Beams(79") w/screw M8*35(4) | YES | \$226 |
| 7.1 | FV.GHL.H | Hardware kit for Verity Beam, set of (4) M8*35 screws and washers | | \$3 |
| 8 | FV-PL02 | Spacer | YES | \$12 |
| 9 | FV-GZCB01A | DOUBLE Worksurface support bracket OVER PANEL LEG w/screw M6*10(2) for 48,60 inch deep worksurfaces | YES | \$117 |
| 10 | FV-GZCBO2A | DOUBLE Worksurface support bracket w/screw M6*10(2) used in 48 inch/60 inch deep worksurfaces | YES | \$109 |
| | FVGR3812 | Grommet | Yes | \$122 |
| 11 | FISP03-1 | Festoon - 18" (not shown) | NO | \$90 |

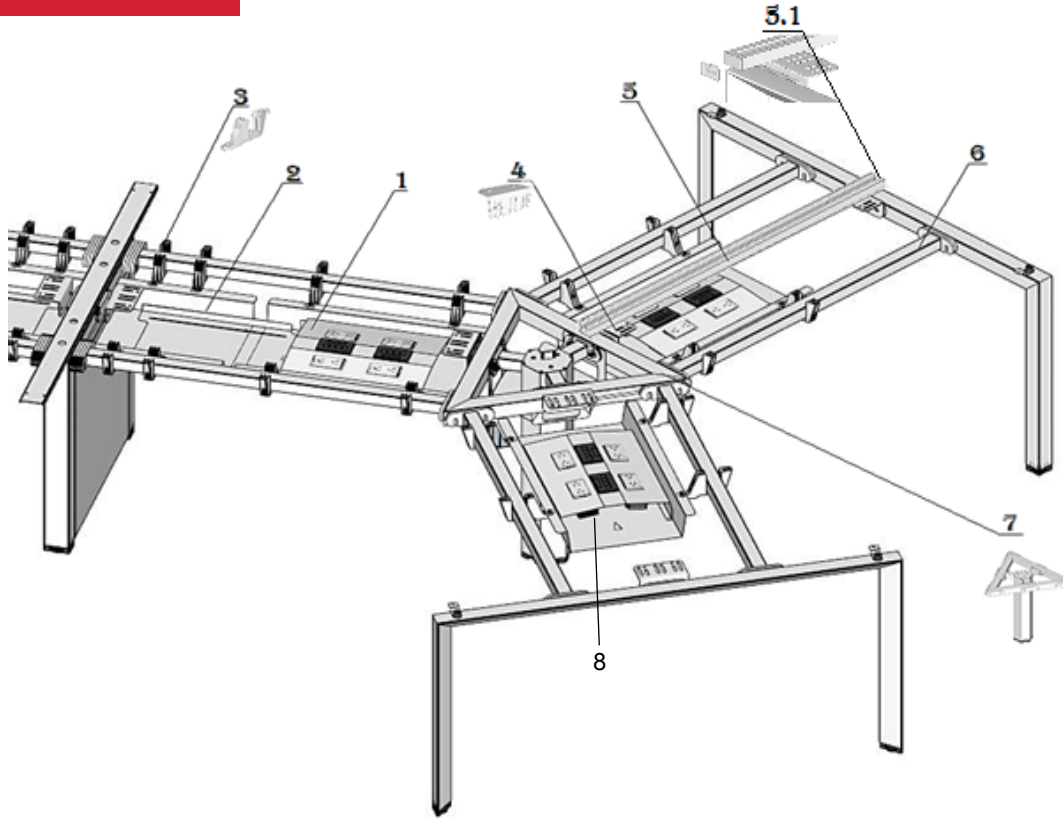


Verity

Starter/End Element, 120 deg. 3 Pack

Powered - FVSE120.XXXX-E4

Non-Powered - FVSE120.XXXX-N



| No. | Part Number | Description | Finish Selection | List |
|-----|---------------|--|------------------|-------|
| 1 | FV-DQD-01 | DOUBLE Trough w/screw M4*6(8), (NO POWER) | YES | \$97 |
| | FV-DQD | DOUBLE Trough w/screw M4*6(8), (WITH POWER) | YES | \$490 |
| 2 | FV-DZXDA-120 | Connecting Trough, 120 degree (FV-DZXDA-01) | YES | \$64 |
| 3 | FV-PL01 | Trough support brackets | YES | \$12 |
| 4 | FV-LJP3 | Worksurface Trough support T-bracket w/screws M8*25(4) | YES | \$15 |
| 5 | FV-A36-HC.120 | Track for use with start/end structure w/screw M6*8(6), Plastic Cap(1) | YES | \$241 |
| | FV-A42-HC.120 | Track for use with start/end structure w/screw M6*8(6), Plastic Cap(1) | YES | \$275 |
| | FV-A48-HC.120 | Track for use with start/end structure w/screw M6*8(6), Plastic Cap(1) | YES | \$309 |

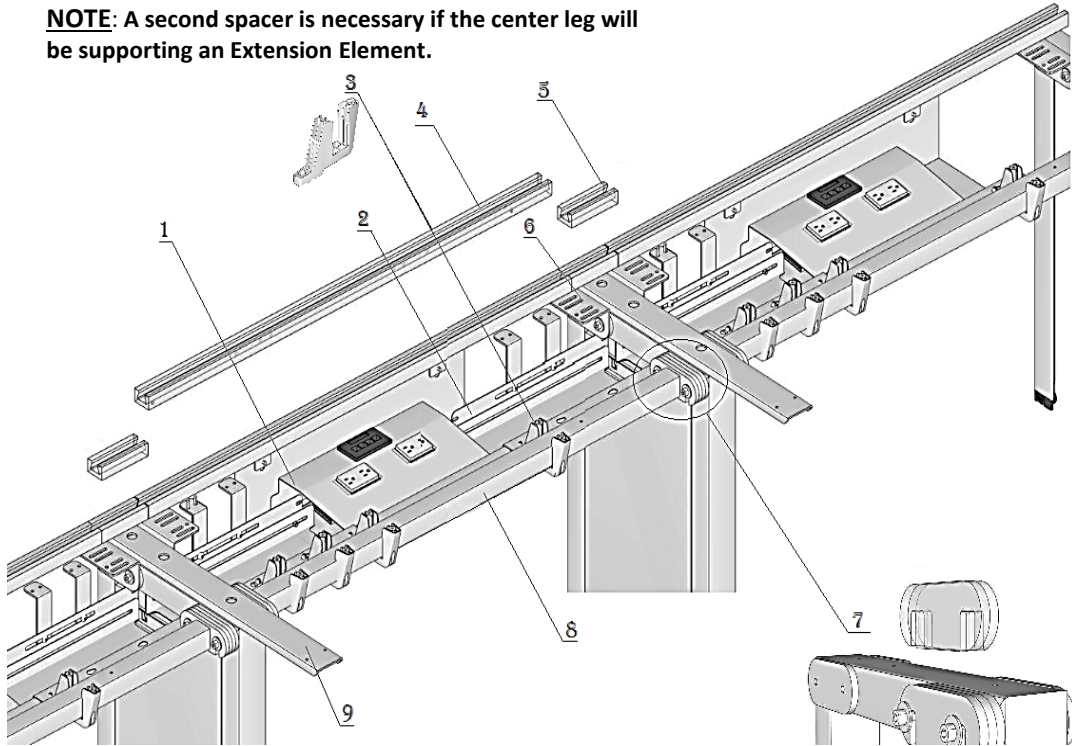
| No. | Part Number | Description | Finish Selection | List |
|------------|---------------|--|------------------|-------|
| 5.1 | FV-PL04 | CAP for Track | YES | \$12 |
| 6 | FV-GHL-36.120 | Beams(26.6") for 120 degree W/screw M8*35(4) | YES | \$114 |
| | FV-GHL-42.120 | Beams(32.3") for 120 degree W/screw M8*35(4) | YES | \$118 |
| | FV-GHL-48.120 | Beams(38.3") for 120 degree W/screw M8*35(4) | YES | \$120 |
| 7 | FVCLD-120-1 | Center leg for 120 degree-Triangular top support only, double sided | YES | \$352 |
| | FVCLD-120-2 | Center leg for 120 degree-Column only, double sided, with cover triangle glide (3) | YES | \$368 |
| | FVGR3812 | Grommet | Yes | \$122 |
| 8 | FISP03-1 | Festoon - 18" | NO | \$90 |



Verity

Extension Element, Single-Sided
 Powered - FVES.XXXX-E4
 Non-Powered - FVES.XXXX-N

NOTE: A second spacer is necessary if the center leg will be supporting an Extension Element.



| No. | Part Number | Description | Finish Selection | List |
|-----|-------------|--|------------------|-------|
| 1 | FV-DQS-01 | SINGLE Trough w/screws M4*6(8), (NO POWER) | YES | \$80 |
| | FV-DQS | SINGLE Trough w/screws M4*6(8), (WITH POWER) | YES | \$184 |
| 2 | FV-DZXSA | Connecting Trough, Single-Sided | YES | \$91 |
| 3 | FV-PL01 | Trough support brackets | YES | \$12 |
| 4 | FV-B48-HC | Track for extension structure w/screw 43 inch M6*8(6) | YES | \$293 |
| | FV-B54-HC | Track for extension structure w/screw 49 inch M6*8(6) | YES | \$322 |
| | FV-B60-HC | Track for extension structure w/screw 55 inch M6*8(6) | YES | \$351 |
| | FV-B66-HC | Track for extension structure w/screw 61 inch M6*8(6) | YES | \$380 |
| | FV-B72-HC | Track for extension structure w/screw 67 inch M6*8(6) | YES | \$409 |
| | FV-B78-HC | Track for extension structure w/screw 73 inch M6*8(6) | YES | \$437 |
| | FV-AB4-HC | Track for extension structure w/screw 79 inch M6*8(6) | YES | \$467 |

| No. | Part Number | Description | Finish Selection | List |
|-----------|-------------|---|------------------|-------|
| 5 | FV-A5HC | Filler Track (5 inch) | YES | \$33 |
| 6 | FV-LJP3 | Worksurface Trough support T-bracket w/screws M8*25(4) | YES | \$15 |
| 7 | FV-PL02 | Spacer | YES | \$12 |
| 8 | FV-GHL-48 | Beams(43") w/screw M8*35(4) | YES | \$144 |
| | FV-GHL-50 | Beams(45") W/screw M8*35(4) | YES | \$144 |
| | FV-GHL-54 | Beams(49") w/screw M8*35(4) | YES | \$144 |
| | FV-GHL-60 | Beams(55") w/screw M8*35(4) | YES | \$171 |
| | FV-GHL-62 | Beams(57") W/screw M8*35(4) | YES | \$178 |
| | FV-GHL-66 | Beams(61") w/screw M8*35(4) | YES | \$185 |
| | FV-GHL-72 | Beams(67") w/screw M8*35(4) | YES | \$199 |
| | FV-GHL-78 | Beams(73") w/screw M8*35(4) | YES | \$213 |
| | FV-GHL-84 | Beams(79") w/screw M8*35(4) | YES | \$226 |
| 8.1 | FV.GHL.H | Hardware kit for Verity Beam, set of (4) M8*35 screws and washers | | \$3 |
| 9 | FV-GZCB01B | SINGLE Worksurface support bracket OVER PANEL LEG w/screw M6*10(2) 24,30 inch deep worksurfaces | YES | \$80 |
| | FVGR3812 | Grommet | Yes | \$122 |
| 10 | FISP03-1 | Festoon - 18" (not shown) | NO | \$90 |

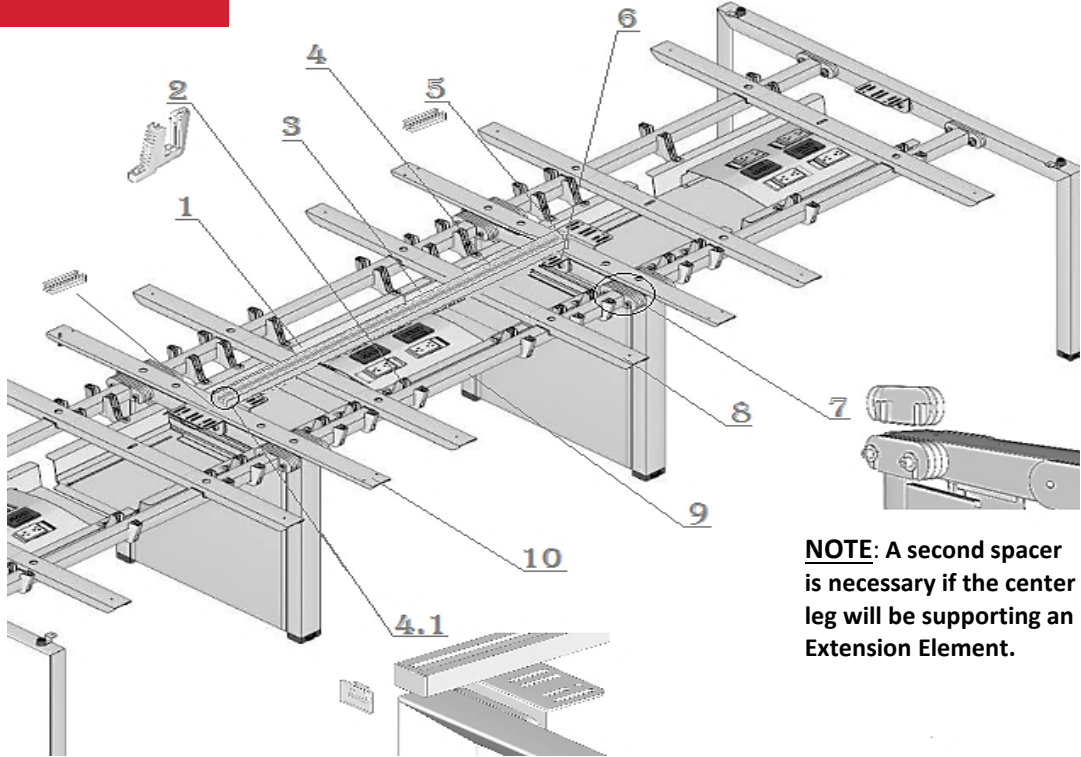


Verity

Extension, Double-Sided

Powered - FVED.XXXX-E4

Non-Powered - FVED.XXXX-N



NOTE: A second spacer is necessary if the center leg will be supporting an Extension Element.

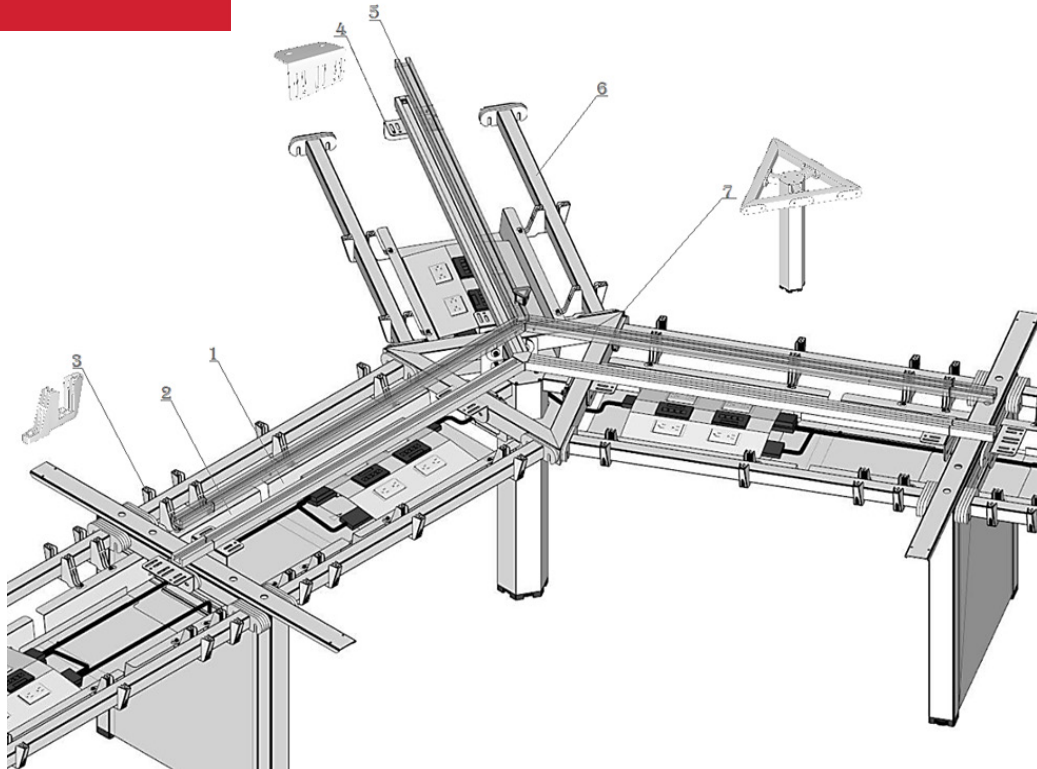
| No. | Part Number | Description | Finish Selection | List |
|-----|-------------|---|------------------|-------|
| 1 | FV-DQD-01 | DOUBLE Trough w/screw M4*6(8), (NO POWER) | YES | \$97 |
| | FV-DQD | DOUBLE Trough w/screw M4*6(8), (WITH POWER) | YES | \$490 |
| 2 | FV-PL01 | Trough support brackets | YES | \$12 |
| 3 | FV-DZXDA | Connecting Trough, Double-Sided | YES | \$130 |
| 4 | FV-B48-HC | Track for extension structure w/screw 43 inch M6*8(6) | YES | \$293 |
| | FV-B54-HC | Track for extension structure w/screw 49 inch M6*8(6) | YES | \$322 |
| | FV-B60-HC | Track for extension structure w/screw 55 inch M6*8(6) | YES | \$351 |
| | FV-B66-HC | Track for extension structure w/screw 61 inch M6*8(6) | YES | \$380 |
| | FV-B72-HC | Track for extension structure w/screw 67 inch M6*8(6) | YES | \$409 |
| | FV-B78-HC | Track for extension structure w/screw 73 inch M6*8(6) | YES | \$437 |
| | FV-AB4-HC | Track for extension structure w/screw 79 inch M6*8(6) | YES | \$467 |

| No. | Part Number | Description | Finish Selection | List |
|-----|-------------|---|------------------|-------|
| 4.1 | FV-PL04 | End Cap for Track | YES | \$12 |
| 5 | FV-A5HC | Filler Track (5 inch) | YES | \$33 |
| 6 | FV-LJP3 | Worksurface Trough support T-bracket w/screws M8*25(4) | YES | \$15 |
| 7 | FV-PL02 | Spacer | YES | \$12 |
| 8 | FV-GZCBO2A | DOUBLE Worksurface support bracket w/screw M6*10(2) used in 48 inch/60 inch deep worksurfaces | YES | \$109 |
| 9 | FV-GHL-48 | Beams(43") w/screw M8*35(4) | YES | \$144 |
| | FV-GHL-50 | Beams(45") W/screw M8*35(4) | YES | \$144 |
| | FV-GHL-54 | Beams(49") w/screw M8*35(4) | YES | \$144 |
| | FV-GHL-60 | Beams(55") w/screw M8*35(4) | YES | \$171 |
| | FV-GHL-62 | Beams(57") W/screw M8*35(4) | YES | \$178 |
| | FV-GHL-66 | Beams(61") w/screw M8*35(4) | YES | \$185 |
| | FV-GHL-72 | Beams(67") w/screw M8*35(4) | YES | \$199 |
| | FV-GHL-78 | Beams(73") w/screw M8*35(4) | YES | \$213 |
| | FV-GHL-84 | Beams(79") w/screw M8*35(4) | YES | \$226 |
| 9.1 | FV.GHL.H | Hardware kit for Verity Beam, set of (4) M8*35 screws and washers | | \$3 |
| 10 | FV-GZCB01A | DOUBLE Worksurface support bracket OVER PANEL LEG w/screw M6*10(2) for 48,60 inch deep worksurfaces | YES | \$117 |
| | FVGR3812 | Grommet | Yes | \$122 |
| 11 | FISP03-1 | Festoon - 18" (not shown) | NO | \$90 |



Verity

Extension, 120 deg. 3 Pack
 Powered - FVE120.XXXX-E4
 Non-Powered - FVE120.XXXX-N



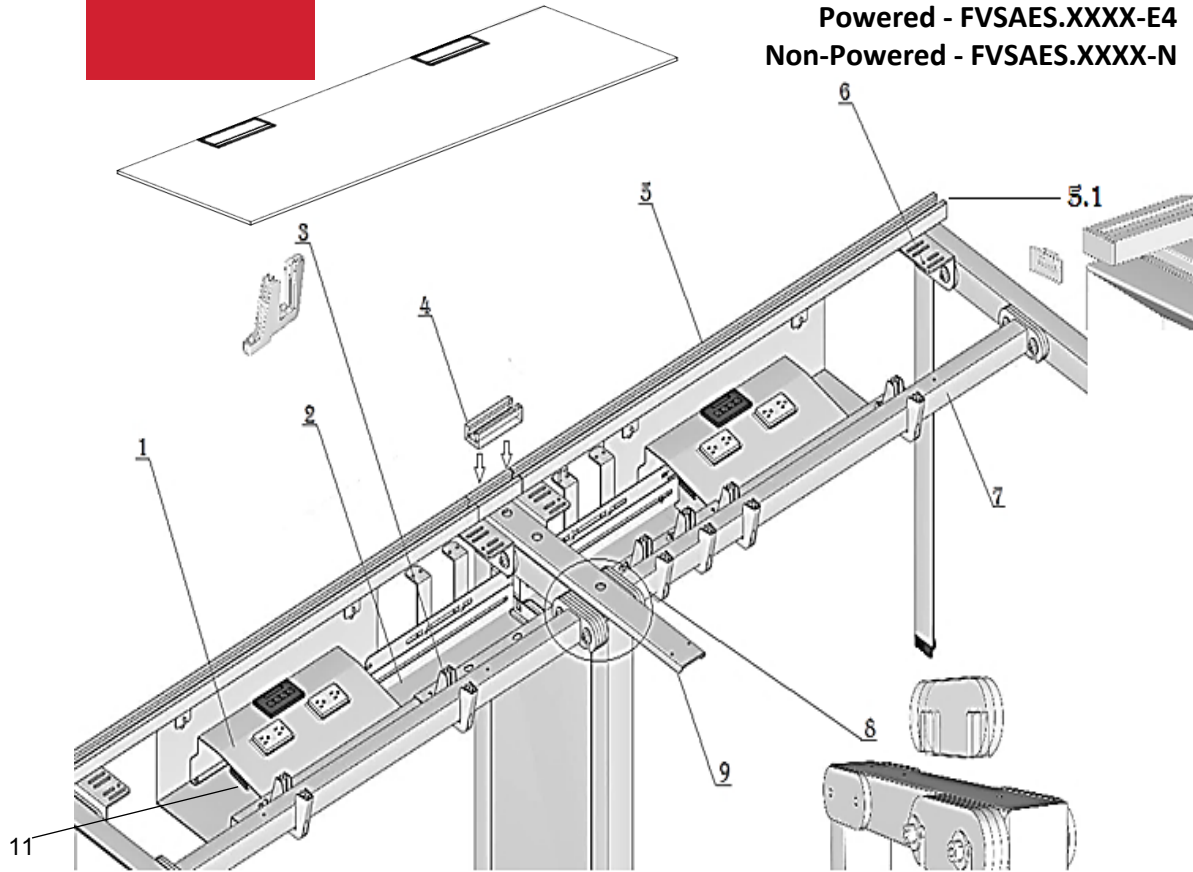
| No. | Part Number | Description | Finish Selection | List |
|-----|---------------|---|------------------|-------|
| 1 | FV-DQD-01 | DOUBLE Trough w/screw M4*6(8) (NO POWER) | YES | \$97 |
| | FV-DQD | DOUBLE Trough w/screw M4*6(8), (WITH POWER) | YES | \$490 |
| 2 | FV-DZXDA-120 | Connecting Trough, 120 degree (FV-DZXDA-01) | YES | \$64 |
| 3 | FV-PL01 | Trough support brackets | YES | \$12 |
| 4 | FV-LJP3 | Worksurface Trough support T- bracket w/screws M8*25(4) | YES | \$15 |
| 5 | FV-A36-HC.120 | Track for use with start/end structure w/screw M6*8(6), Plastic Cap(1) | YES | \$241 |
| | FV-A42-HC.120 | Track for use with start/end structure w/screw M6*8(6), Plastic Cap(1) | YES | \$275 |
| | FV-A48-HC.120 | Track for use with start/end structure w/screw M6*8(6), Plastic Cap(1) | YES | \$309 |

| No. | Part Number | Description | Finish Selection | List |
|------------|---------------|---|------------------|-------|
| 5.1 | FV-PL04 | End Cap for Track | YES | \$12 |
| 6 | FV-GHL-36.120 | Beams(26.6") for 120 degree W/screw M8*35(4) | YES | \$114 |
| | FV-GHL-42.120 | Beams(32.3") for 120 degree W/screw M8*35(4) | YES | \$118 |
| | FV-GHL-48.120 | Beams(38.3") for 120 degree W/screw M8*35(4) | YES | \$120 |
| 7 | FV.GHL.H | Hardware kit for Verity Beam, set of (4) M8*35 screws and washers | | \$3 |
| | FVCLD-120-1 | Center leg for 120 degree-Triangular top support only, double sided | YES | \$352 |
| | FVCLD-120-2 | Center leg for 120 degree-Column only, double sided, with cover triangle glide (3) | YES | \$368 |
| | FVGR3812 | Grommet | Yes | \$122 |
| 8 | FISP03-1 | Festoon - 18" | NO | \$90 |



Verity

Stand-Alone Element, Single-Sided
For use with 96"W Worksurface
Powered - FVSAES.XXXX-E4
Non-Powered - FVSAES.XXXX-N



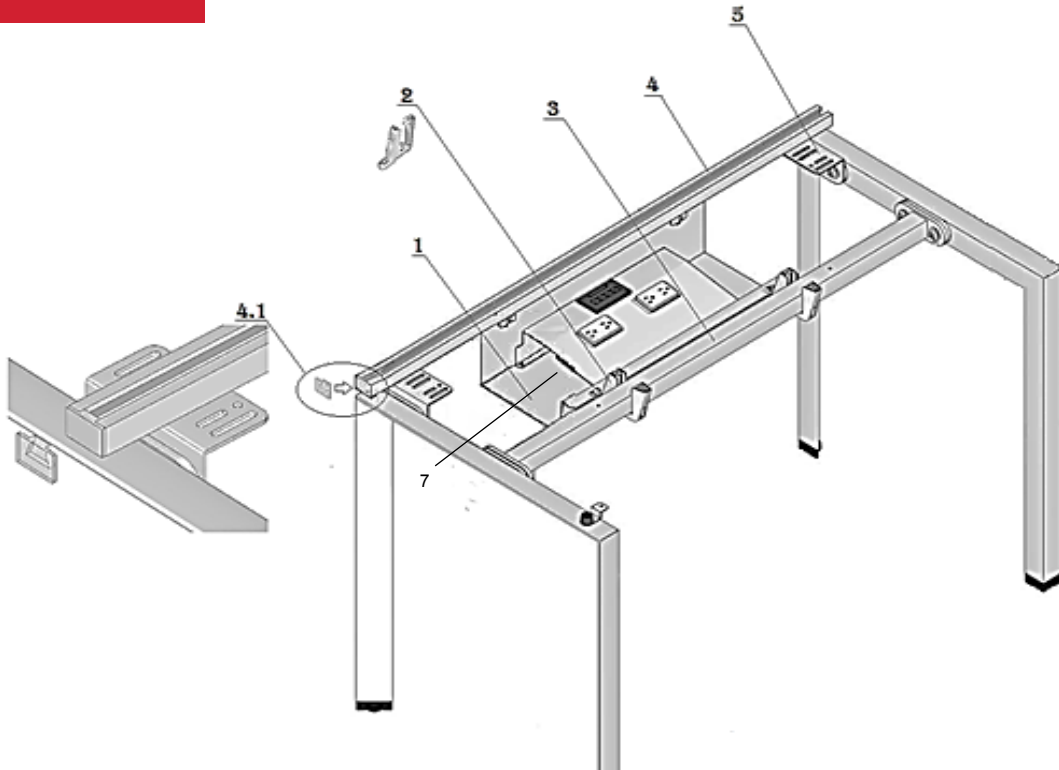
| No. | Part Number | Description | Finish Selection | List |
|-----|-------------|--|------------------|-------|
| 1 | FV-DQS-01 | SINGLE Trough w/screws M4*6(8), (NO POWER) | YES | \$80 |
| | FV-DQS | SINGLE Trough w/screws M4*6(8), (WITH POWER) | YES | \$184 |
| 2 | FV-DZXSA | Connecting Trough, Single-Sided | YES | \$91 |
| 3 | FV-PL01 | Trough support brackets | YES | \$12 |
| 4 | FV-A5HC | Filler Track (5 inch) | YES | \$33 |
| 5 | FV-D48-HC | Track for standalone structure w/screw 48 inch M6*8(6), Plastic Cap(2) | YES | \$287 |
| | FV-D54-HC | Track for standalone structure w/screw 54 inch M6*8(6), Plastic Cap(2) | YES | \$316 |
| | FV-D60-HC | Track for standalone structure w/screw 60 inch M6*8(6), Plastic Cap(2) | YES | \$344 |

| No. | Part Number | Description | Finish Selection | List |
|------------|-------------|---|------------------|-------|
| 5 | FV-D66-HC | Track for standalone structure w/screw 66 inch M6*8(6), Plastic Cap(2) | YES | \$373 |
| | FV-D72-HC | Track for standalone structure w/screw 72 inch M6*8(6), Plastic Cap(2) | YES | \$402 |
| | FV-D78-HC | Track for standalone structure w/screw 78 inch M6*8(6), Plastic Cap(2) | YES | \$431 |
| | FV-D84-HC | Track for standalone structure w/screw 84 inch M6*8(6), Plastic Cap(2) | YES | \$460 |
| 5.1 | FV-PL04 | Cap for Track | YES | \$12 |
| 6 | FV-LJP3 | Worksurface Trough support T-bracket w/screws M8*25(4) | YES | \$15 |
| 7 | FV-GHL-48 | Beams(43") w/screw M8*35(4) | YES | \$144 |
| | FV-GHL-50 | Beams(45") W/screw M8*35(4) | YES | \$144 |
| | FV-GHL-54 | Beams(49") w/screw M8*35(4) | YES | \$144 |
| | FV-GHL-60 | Beams(55") w/screw M8*35(4) | YES | \$171 |
| | FV-GHL-62 | Beams(57") W/screw M8*35(4) | YES | \$178 |
| | FV-GHL-66 | Beams(61") w/screw M8*35(4) | YES | \$185 |
| | FV-GHL-72 | Beams(67") w/screw M8*35(4) | YES | \$199 |
| | FV-GHL-78 | Beams(73") w/screw M8*35(4) | YES | \$213 |
| | FV-GHL-84 | Beams(79") w/screw M8*35(4) | YES | \$226 |
| | FV.GHL.H | Hardware kit for Verity Beam, set of (4) M8*35 screws and washers | | \$3 |
| 9 | FV-GZCB01B | SINGLE Worksurface support bracket OVER PANEL LEG w/screw M6*10(2) 24,30 inch deep worksurfaces | YES | \$80 |
| 10 | FV-GZCBO2B | SINGLE Worksurface support bracket w/screw M6*10(2) used in 24 inch/30 inch deep worksurfaces | YES | \$76 |
| | FVGR3812 | Grommet | Yes | \$122 |
| 11 | FISP03-1 | Festoon - 18" | NO | \$90 |



Verity

Stand-Alone Element, Single-Sided
 Powered - FVSAES.XXXX-E4
 Non-Powered - FVSAES.XXXX-N



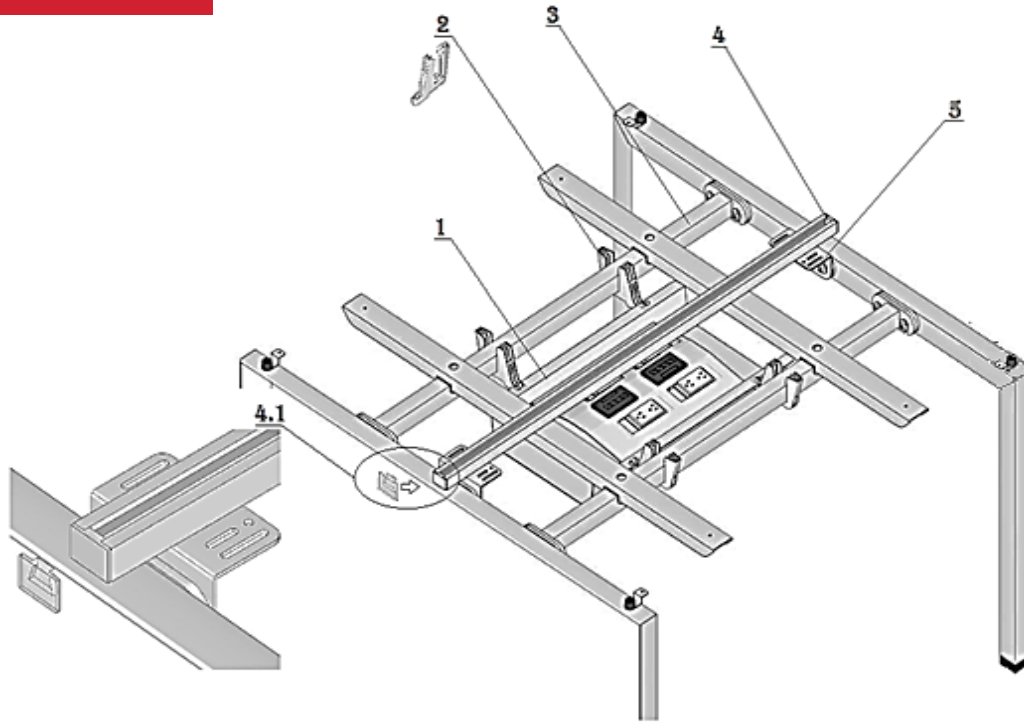
| No. | Part Number | Description | Finish Selection | List |
|-----|-------------|--|---|-------|
| 1 | FV-DQS-01 | SINGLE Trough w/screws M4*6(8), (NO POWER) | YES | \$80 |
| | FV-DQS | SINGLE Trough w/screws M4*6(8), (WITH POWER) | YES | \$184 |
| 2 | FV-PL01 | Trough support brackets | YES | \$12 |
| 3 | FV-GHL-48 | Beams(43") w/screw M8*35(4) | YES | \$144 |
| | FV-GHL-50 | Beams(45") W/screw M8*35(4) | YES | \$144 |
| | FV-GHL-54 | Beams(49") w/screw M8*35(4) | YES | \$144 |
| | FV-GHL-60 | Beams(55") w/screw M8*35(4) | YES | \$171 |
| | FV-GHL-62 | Beams(57") W/screw M8*35(4) | YES | \$178 |
| | FV-GHL-66 | Beams(61") w/screw M8*35(4) | YES | \$185 |
| | FV-GHL-72 | Beams(67") w/screw M8*35(4) | YES | \$199 |
| | FV-GHL-78 | Beams(73") w/screw M8*35(4) | YES | \$213 |
| | FV-GHL-84 | Beams(79") w/screw M8*35(4) | YES | \$226 |
| | | FV.GHL.H | Hardware kit for Verity Beam, set of (4) M8*35 screws and washers | |

| No. | Part Number | Description | Finish Selection | List |
|------------|-------------|---|------------------|-------|
| 4 | FV-D48-HC | Track for standalone structure w/screw 48 inch M6*8(6), Plastic Cap(2) | YES | \$287 |
| | FV-D54-HC | Track for standalone structure w/screw 54 inch M6*8(6), Plastic Cap(2) | YES | \$316 |
| | FV-D60-HC | Track for standalone structure w/screw 60 inch M6*8(6), Plastic Cap(2) | YES | \$344 |
| | FV-D66-HC | Track for standalone structure w/screw 66 inch M6*8(6), Plastic Cap(2) | YES | \$373 |
| | FV-D72-HC | Track for standalone structure w/screw 72 inch M6*8(6), Plastic Cap(2) | YES | \$402 |
| | FV-D78-HC | Track for standalone structure w/screw 78 inch M6*8(6), Plastic Cap(2) | YES | \$431 |
| | FV-D84-HC | Track for standalone structure w/screw 84 inch M6*8(6), Plastic Cap(2) | YES | \$460 |
| 4.1 | FV-PL04 | Cap for Track | YES | \$12 |
| 5 | FV-LJP3 | Worksurface Trough support T-bracket w/screws M8*25(4) | YES | \$15 |
| 6 | FV-GZCBO2B | SINGLE Worksurface support bracket w/screw M6*10(2) used in 24 inch/30 inch deep worksurfaces | YES | \$76 |
| | FVGR3812 | Grommet | Yes | \$122 |
| 7 | FISP03-1 | Festoon - 18" | NO | \$90 |



Verity

Starter/End Element, Double-Sided
 Powered - FVSED.XXXX-E4
 Non-Powered - FVSED.XXXX-N



| No. | Part Number | Description | Finish Selection | List |
|----------|-------------|---|------------------|-------|
| 1 | FV-DQD-01 | DOUBLE Trough w/screw M4*6(8), POWER RETRO (NO POWER) | YES | \$80 |
| | FV-DQD | DOUBLE Trough w/screw M4*6(8), (WITH POWER) | YES | \$184 |
| 2 | FV-PL01 | Trough support brackets | YES | \$12 |
| 3 | FV-GHL-48 | Beams(43") w/screw M8*35(4) | YES | \$144 |
| | FV-GHL-50 | Beams(45") W/screw M8*35(4) | YES | \$144 |
| | FV-GHL-54 | Beams(49") w/screw M8*35(4) | YES | \$144 |
| | FV-GHL-60 | Beams(55") w/screw M8*35(4) | YES | \$171 |
| | FV-GHL-62 | Beams(57") W/screw M8*35(4) | YES | \$178 |
| | FV-GHL-66 | Beams(61") w/screw M8*35(4) | YES | \$185 |
| | FV-GHL-72 | Beams(67") w/screw M8*35(4) | YES | \$199 |
| | FV-GHL-78 | Beams(73") w/screw M8*35(4) | YES | \$213 |
| | FV-GHL-84 | Beams(79") w/screw M8*35(4) | YES | \$226 |
| | FV.GHL.H | Hardware kit for Verity Beam, set of (4) M8*35 screws and washers | | |

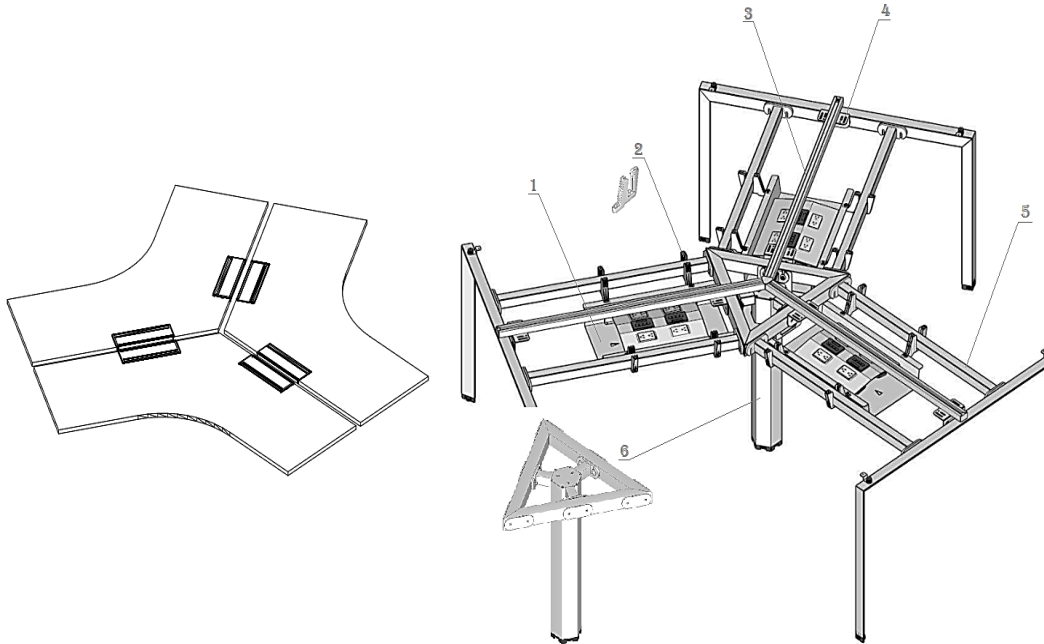
| No. | Part Number | Description | Finish Selection | List |
|------------|-------------|---|------------------|-------|
| 4 | FV-A48-HC | Track for use with start/end structure w/screw 45.5 inch M6*8(6), Plastic Cap(1) | YES | \$287 |
| | FV-A54-HC | Track for use with start/end structure w/screw 51.5 inch M6*8(6), Plastic Cap(1) | YES | \$316 |
| | FV-A60-HC | Track for use with start/end structure w/screw 57.5 inch M6*8(6), Plastic Cap(1) | YES | \$344 |
| | FV-A66-HC | Track for use with start/end structure w/screw 63.5 inch M6*8(6), Plastic Cap(1) | YES | \$373 |
| | FV-A72-HC | Track for use with start/end structure w/screw 69.5 inch M6*8(6), Plastic Cap(1) | YES | \$402 |
| | FV-A78-HC | Track for use with start/end structure w/screw 75.5 inch M6*8(6), Plastic Cap(1) | YES | \$431 |
| | FV-A84-HC | Track for use with start/end structure w/screw 81.5 inch M6*8(6), Plastic Cap(1) | YES | \$460 |
| 4.1 | FV-PL04 | End Cap for Track | YES | \$12 |
| 5 | FV-LJP3 | Worksurface Trough support T-bracket w/screws M8*25(4) | YES | \$15 |
| 6 | FV-GZCBO2A | DOUBLE Worksurface support bracket w/screw M6*10(2) used in 48 inch/60 inch deep worksurfaces | YES | \$76 |
| 11 | FVGR3812 | Grommet | Yes | \$122 |
| | FISP03-1 | Festoon - 18" (not shown) | NO | \$90 |

Verity

Stand-Alone, 120 deg. 3 Pack

Powered - FVSAE120.XXXX-E4

Non-Powered - FVSAE120.XXXX-N

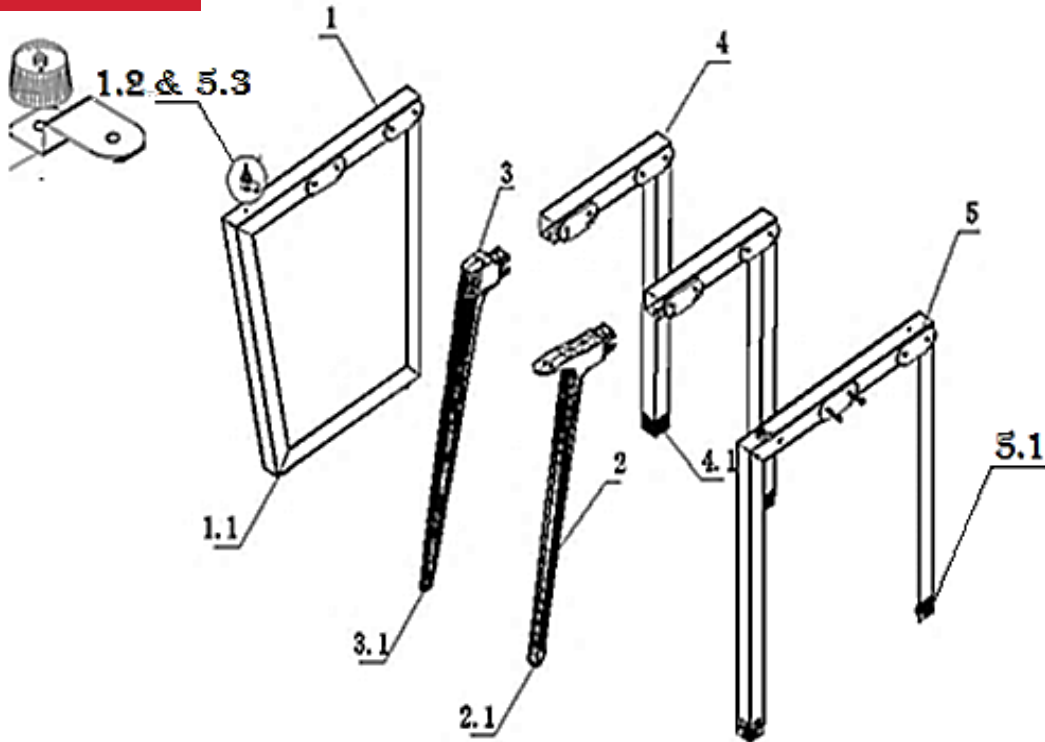


| No. | Part Number | Description | Finish Selection | List |
|-----|---------------|---|------------------|-------|
| 1 | FV-DQD-01 | DOUBLE Trough w/screw M4*6(8), (NO POWER) | YES | \$97 |
| | FV-DQD | DOUBLE Trough w/screw M4*6(8), (WITH POWER) | YES | \$490 |
| 2 | FV-PL01 | Trough support brackets | YES | \$12 |
| 3 | FV-A36-HC.120 | Track for use with start/end structure w/screw M6*8(6), Plastic Cap(1) | YES | \$241 |
| | FV-A42-HC.120 | Track for use with start/end structure w/screw M6*8(6), Plastic Cap(1) | YES | \$275 |
| | FV-A48-HC.120 | Track for use with start/end structure w/screw M6*8(6), Plastic Cap(1) | YES | \$309 |
| 3.1 | FV-PL04 | End Cap for Track | YES | \$12 |
| 4 | FV-LJP3 | Worksurface Trough support T-bracket w/screws M8*25(4) | YES | \$15 |
| 5 | FV-GHL-36.120 | Beams(26.6") for 120 degree W/screw M8*35(4) | YES | \$114 |
| | FV-GHL-42.120 | Beams(32.3") for 120 degree W/screw M8*35(4) | YES | \$118 |
| | FV-GHL-48.120 | Beams(38.3") for 120 degree W/screw M8*35(4) | YES | \$120 |
| 6 | FVCLD-120-1 | Center leg for 120 degree-Triangular top support only, double sided | YES | \$352 |
| | FVCLD-120-2 | Center leg for 120 degree-Column only, double sided, with cover triangle glide (3) | YES | \$368 |
| | FV.GHL.H | Hardware kit for Verity Beam, set of (4) M8*35 screws and washers | | \$3 |

FRÍANT

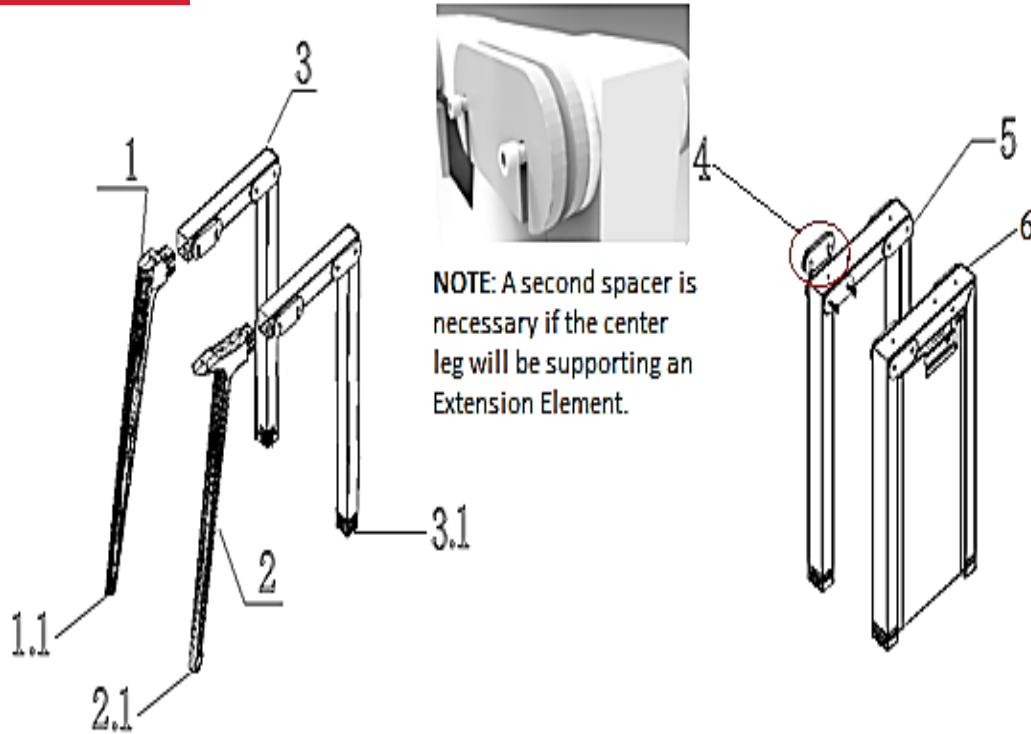
VERITY

Worksurface support, Single Sided
For Start/End of run
Triangle, Trapeziod, Inset and Taper



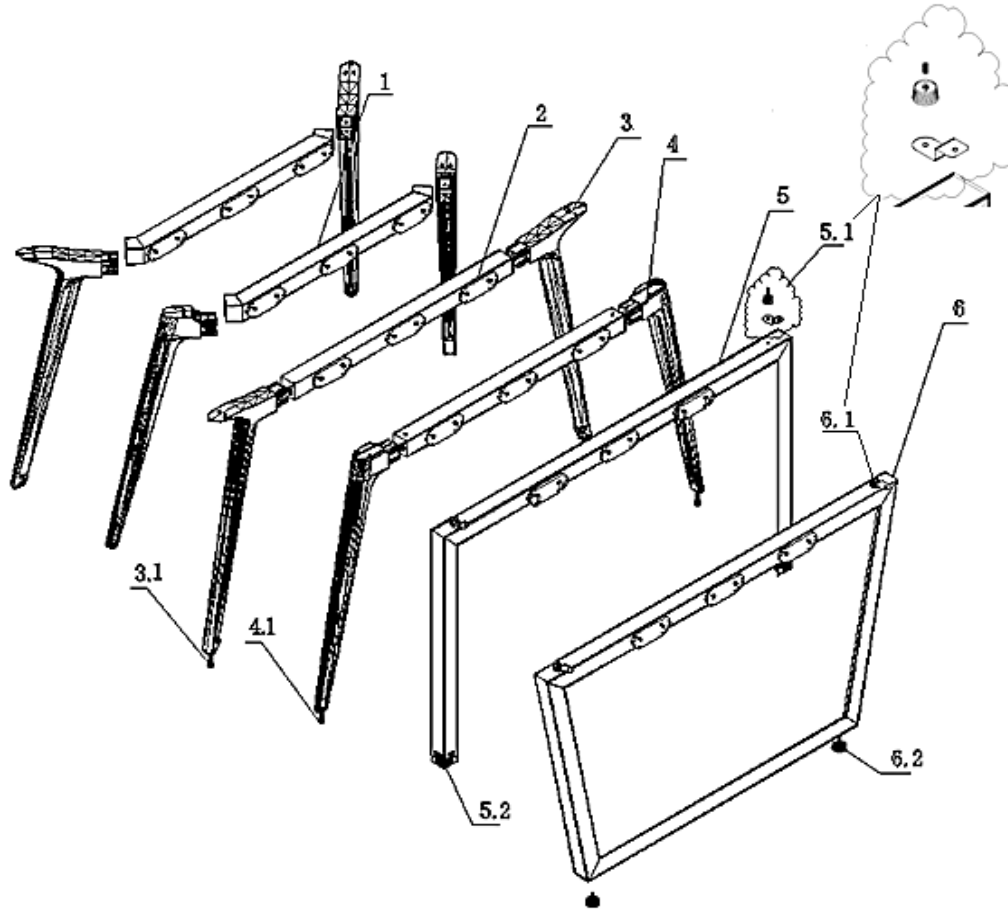
| No. | Part number | Description | Finish selection | LIST |
|-----|---------------|---|------------------|-------|
| 1 | FVTZLS.24L/R | Trapeziod Leg, single sided, 24" includes glides, z worksurface support - specify left or right | YES | \$280 |
| | FVTZLS.30L/R | Trapeziod Leg, single sided, 30" includes glides, z worksurface support - specify left or right | YES | \$306 |
| 1.1 | FVDJ | Glide for trapezoid leg Size : M8*23 | NO | \$3 |
| 1.2 | FVTL-BRB | Catch (Z) Bracket for triangle Leg | YES | \$10 |
| 2 | FAAL-TAPER | Cross pan head tapping screw M5*20 (2); Black Glide M8*30 (1), Black Glide M8*45 (1) | YES | \$440 |
| 2.1 | FAAL-TAPER.G | Glide M8x30 | NO | \$2 |
| | FAAL-TAPER.EG | Extended Glide M8x45 | NO | \$3 |

| No. | Part number | Description | Finish selection | LIST |
|------------|---------------------|--|------------------|-------|
| 3 | FAAL-INSET | Cross pan head tapping screw M5*20 (2); Black Glide M8*30 (1), Black Glide M8*45 (1) | YES | \$380 |
| 3.1 | FAAL-INSET.G | Glide M8x30 | NO | \$2 |
| | FAAL-INSET.EG | Extended Glide M8x45 | NO | \$3 |
| 4 | FV-NTLS.24L/R | Single sided Verity leg, new style leg, 24" W/screw M6*12(4) | YES | \$165 |
| | FV-NTLS.30L/R | Single sided Verity leg, new style leg,30" W/screw M6*12(4) | YES | \$172 |
| 4.1 | FV-FGDJ-5050-BJ001A | Verity square tube foot | NO | \$0 |
| 5.1 | FV-UNA | Triangle Leg Plastic Insert without Glide | NO | \$10 |
| 5.2 | FV.DJ.52-BK | Triangle leg glide ONLY, 2" (without Plastic Insert FV-UNA) | NO | \$3 |
| 5.3 | FVTL-BRB | Catch (Z) Bracket for triangle Leg | YES | \$10 |



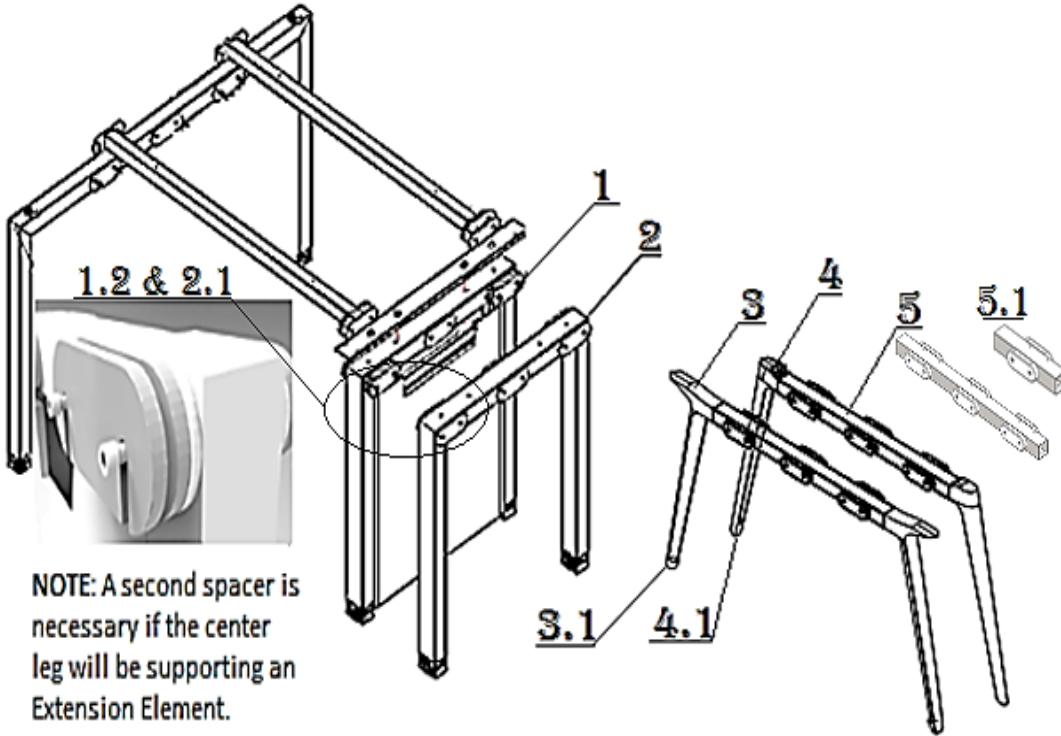
| No. | Part number | Description | Finish selection | LIST |
|------------|---------------|--|------------------|-------|
| 1 | FAAL-INSET | Cross pan head tapping screw M5*20 (2); Black Glide M8*30 (1), Black Glide M8*45 (1) | YES | \$380 |
| 1.1 | FAAL-INSET.G | Glide M8x30 | NO | \$2 |
| | FAAL-INSET.EG | Extended Glide M8x45 | NO | \$3 |
| 2 | FAAL-TAPER | Cross pan head tapping screw M5*20 (2); Black Glide M8*30 (1), Black Glide M8*45 (1) | YES | \$440 |
| 2.1 | FAAL-TAPER.G | Glide M8x30 | NO | \$2 |
| | FAAL-TAPER.EG | Extended Glide M8x45 | NO | \$3 |

| No. | Part number | Description | Finish selection | LIST |
|------------|---------------------|--|------------------|-------|
| 3 | FV-NCLS.24 | Single sided Verity leg, new style leg, 24" (left)W/screw M6*12(4) | YES | \$197 |
| | FV-NCLS.30 | Single sided Verity leg, new style leg,30" (left) W/screw M6*12(4) | YES | \$204 |
| 3.1 | FV-FGDJ-5050-BJ001A | Verity square tube foot | NO | |
| 4 | FV-PL02 | Spacer | YES | \$12 |
| 5 | FVCLS-O | Open Center Leg, Double-Sided, 48"/60" Deep Unit | YES | \$304 |
| 6 | FVCLS-C | Closed Center Leg, Single-Sided, 24"/30" Deep Unit | YES | \$592 |



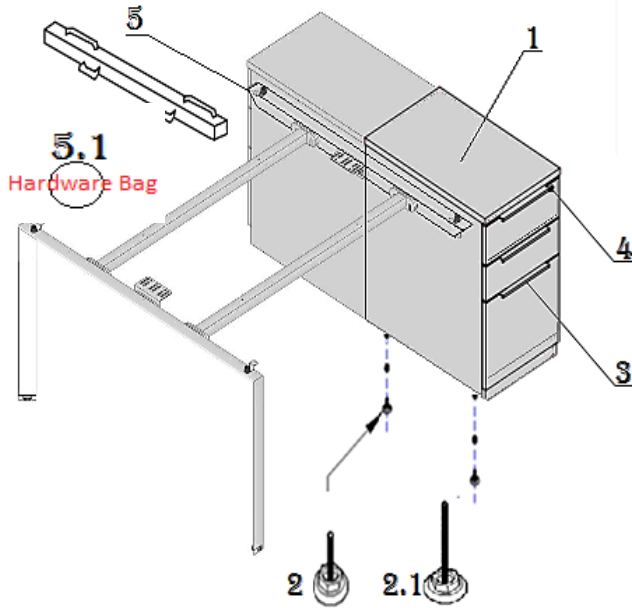
| No. | Part number | Description | Finish selection | LIST |
|-----|---------------|--|------------------|-------|
| 1 | FVSB-C48 | Angled leg support bar - Verity - Concave for Double sided 48" W/screw M6*12(6) | YES | \$124 |
| | FVSB-C60 | Angled leg support bar - Verity - Concave for Double sided 60" W/screw M6*12(6) | YES | \$148 |
| 2 | FVSB-S48 | Angled leg support bar - Verity - Straight for Double sided 48"W/screw M6*12(8) | YES | \$114 |
| | FVSB-S60 | Angled leg support bar - Verity - Straight for Double sided 60" W/screw M6*12(8) | YES | \$128 |
| 3 | FAAL-TAPER | Cross pan head tapping screw M5*20 (2); Black Glide M8*30 (1), Black Glide M8*45 (1) | YES | \$440 |
| 3.1 | FAAL-TAPER.G | Glide M8x30 | NO | \$2 |
| | FAAL-TAPER.EG | Extended Glide M8x45 | NO | \$3 |

| No. | Part number | Description | Finish selection | LIST |
|------------|---------------|--|------------------|-------|
| 4 | FAAL-INSET | Cross pan head tapping screw M5*20 (2); Black Glide M8*30 (1), Black Glide M8*45 (1) | YES | \$380 |
| 4.1 | FAAL-INSET.G | Glide M8x30 | NO | \$2 |
| | FAAL-INSET.EG | Extended Glide M8x45 | NO | \$3 |
| 5 | FVTLD.48 | Triangle Leg,double sided, 48" includes glides, z worksurface support | YES | \$277 |
| | FVTLD.60 | Triangle Leg,double sided, 60" includes glides, z worksurface support | YES | \$298 |
| 5.1 | FVTL-BRB | Catch (Z) Bracket | NO | \$10 |
| 5.2 | FV-UNA | Triangle Leg Plastic Insert without Glide | NO | \$10 |
| 5.3 | FV.DJ.52-BK | Triangle leg glide ONLY, 2" (without Plastic Insert FV-UNA) | NO | \$3 |
| 6 | FVTZLD.48 | Trapeziod Leg,double sided, 48" includes glides, z worksurface support | YES | \$377 |
| | FVTZLD.60 | Trapeziod Leg,double sided, 60" includes glides, z worksurface support | YES | \$424 |
| 6.1 | FVTL-BRB | Catch (Z) Bracket for Triangle leg | NO | \$10 |
| 6.2 | FVDJ | Glide for trapezoid leg Size: M8*23 | NO | \$3 |



| No. | Part number | Description | Finish selection | LIST |
|------------|---------------|--|------------------|-------|
| 1 | FVCLD-C | Closed Center Leg, Double-Sided, 48"/60" Deep Unit | YES | \$621 |
| 1.2 | FV-PL02 | Spacer | YES | \$12 |
| 2 | FVCLD-O | Open Center Leg, Double-Sided, 48"/60" Deep Unit | YES | \$365 |
| 2.1 | FV-PL02 | Spacer | YES | \$12 |
| 2.3 | FV.BOLT.6.H | Hardware Bag - Center Leg, 4 x 6mm Bolts for Spacers | NO | |
| 3 | FAAL-TAPER | TAPER LEG - Includes screws M5*20 (2) Black Glide M8*22(1), Glide M8*32(1) | YES | \$440 |
| 3.1 | FAAL-TAPER.G | Glide M8x30 | NO | \$2 |
| | FAAL-TAPER.EG | Extended Glide M8x45 | NO | \$3 |

| No. | Part number | Description | Finish selection | LIST |
|------------|---------------|---|------------------|-------|
| 4 | FAAL-INSET | INSET LEG - Includes screws M4*35 (2); Black Glide M8*22, Glide M8*32(1) | YES | \$380 |
| 4.1 | FAAL-INSET.G | Glide M8x30 | NO | \$2 |
| | FAAL-INSET.EG | Extended Glide M8x45 | NO | \$3 |
| 5 | FV-NCLD | Support bar for new leg, double beam, center leg, Verity double sided elements or 48/60" conference table | YES | \$206 |
| 5.1 | FCT-CLS | Support bar for new leg, single beam center leg conference 36"/42" deep conference table | YES | \$98 |



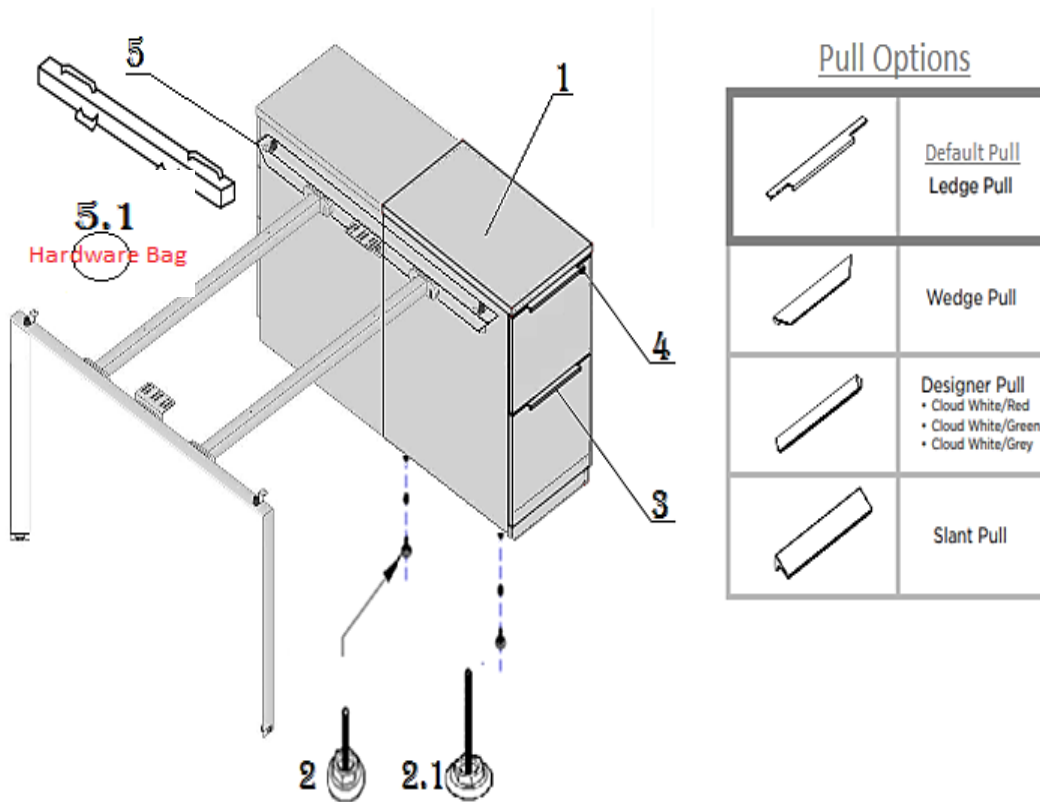
Pull Options

| | |
|--|---|
| | Default Pull Ledge Pull |
| | Wedge Pull |
| | Designer Pull • Cloud White/Red • Cloud White/Green • Cloud White/Grey |
| | Slant Pull |

| No. | Part Number | Description | Finish Selection | List |
|-----|----------------------------------|--|------------------|-------|
| 1 | FVBBF.24-LAM | Supporting Box/Box/File Pedestal, 24"D | | |
| | FVBBF.30-LAM | Supporting Box/Box/File Pedestal, 30"D | | |
| 2 | FPEDSQ.G | Glide (Default) | NO | \$3 |
| 2.1 | GLIDE.PED.EXTENDED | Extended Glide for Ped | NO | \$5 |
| 3 | 1VT0149-N | Ledge Pull (Default) | NO | \$46 |
| | WEDGE-PULL-167 | WEDGE PULL - FOR PED | NO | \$43 |
| | SLANT-PULL-167 | SLANT PULL - FOR PED | NO | \$36 |
| | DESIGNER-PULL-250-RED/Green/Grey | Designer Pull | NO | \$30 |
| 4 | C-LOCK2 | Lock Core, Keyed Separately | NO | \$24 |
| 4.1 | C-MKEY | Master Key | NO | \$24 |
| 4.2 | C-CKEY | Change Key (Control Key) | NO | \$24 |
| 5 | FVSS.24 | 48"D Storage Attachment Bracket, Supports Two 24" Tops | NO | \$201 |
| | FVSS.30 | 60"D Storage Attachment Bracket, Supports Two 60" Tops | NO | \$221 |
| 5.1 | FV.SUPPORT-H | Hardware bag for Storage Support Attachment | NO | |



Verity
Supporting Storage
File/File
FVFF.XX-LAM

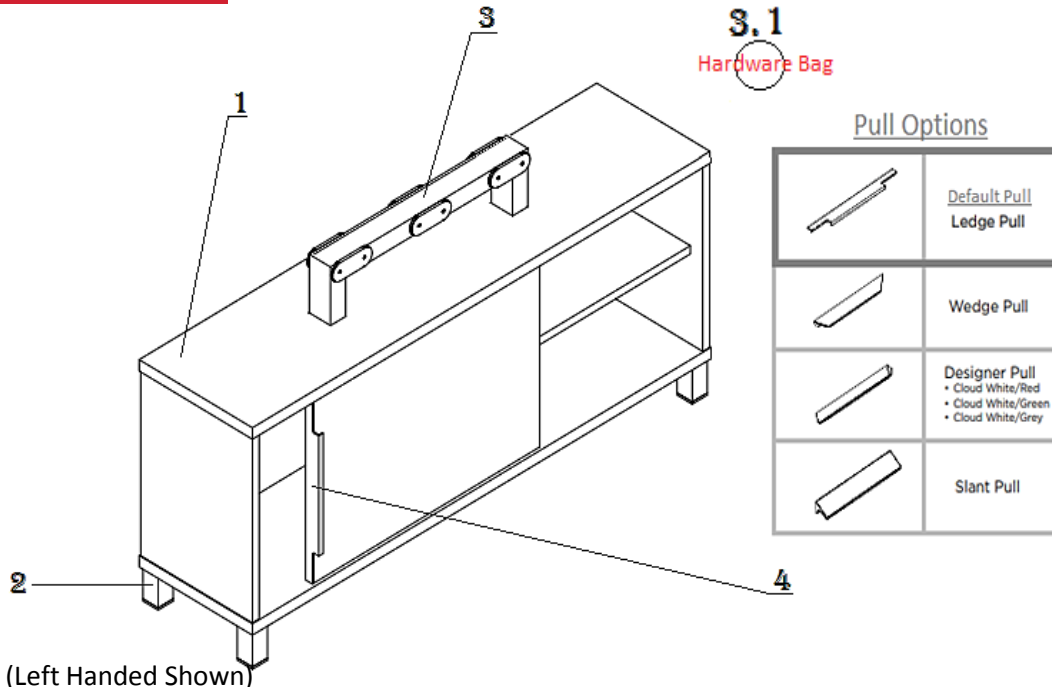


| No. | Part Number | Description | Finish Selection | List |
|-----|--------------------------------------|--|------------------|------|
| 1 | FVFF.24-LAM | Supporting File/File Pedestal, 24"D | | |
| | FVFF.30-LAM | Supporting File/File Pedestal, 30"D | | |
| 2 | FPEDSQ.G | Glide (Default) | NO | \$3 |
| 2.1 | GLIDE.PED.EXTENDED | Extended Glide for Ped | NO | \$5 |
| 3 | 1VT0149-N | Ledge Pull (Default) | NO | \$46 |
| | WEDGE-PULL-167 | WEDGE PULL - FOR PED | NO | \$43 |
| | SLANT-PULL-167 | SLANT PULL - FOR PED | NO | \$36 |
| | DESIGNER-PULL-250- RED/Green/Grey | Designer Pull | NO | \$30 |

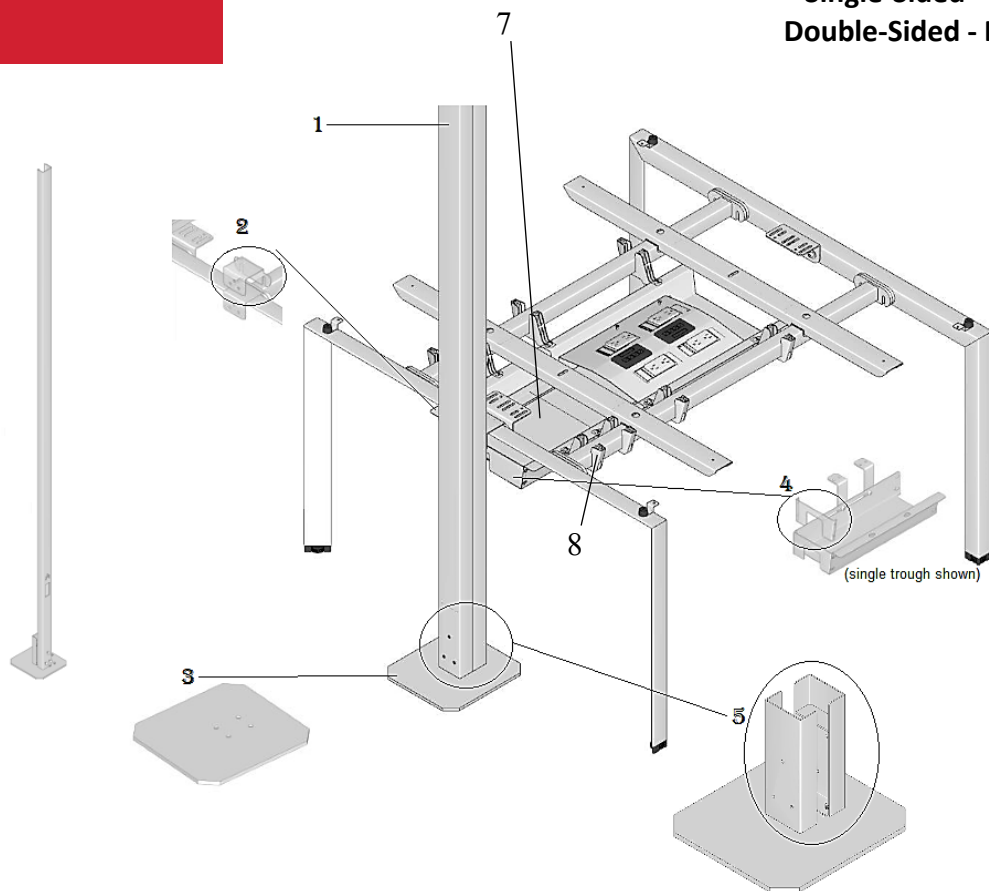
| No. | Part Number | Description | NO | List |
|------------|--------------|--|----|-------|
| 4 | C-LOCK2 | Lock Core, Keyed Separately | NO | \$24 |
| 4.1 | C-MKEY | Master Key | NO | \$24 |
| 4.2 | C-CKEY | Change Key (Control Key) | NO | \$24 |
| 5 | FVSS.24 | 48"D Storage Attachment Bracket, Supports Two 24" Tops | NO | \$201 |
| | FVSS.30 | 60"D Storage Attachment Bracket, Supports Two 60" Tops | NO | \$221 |
| 5.1 | FV.SUPPORT-H | Hardware bag for Storage Support Attachment | NO | |



Verity
Supporting Storage
Credenza
FVBSC.18XX L/R



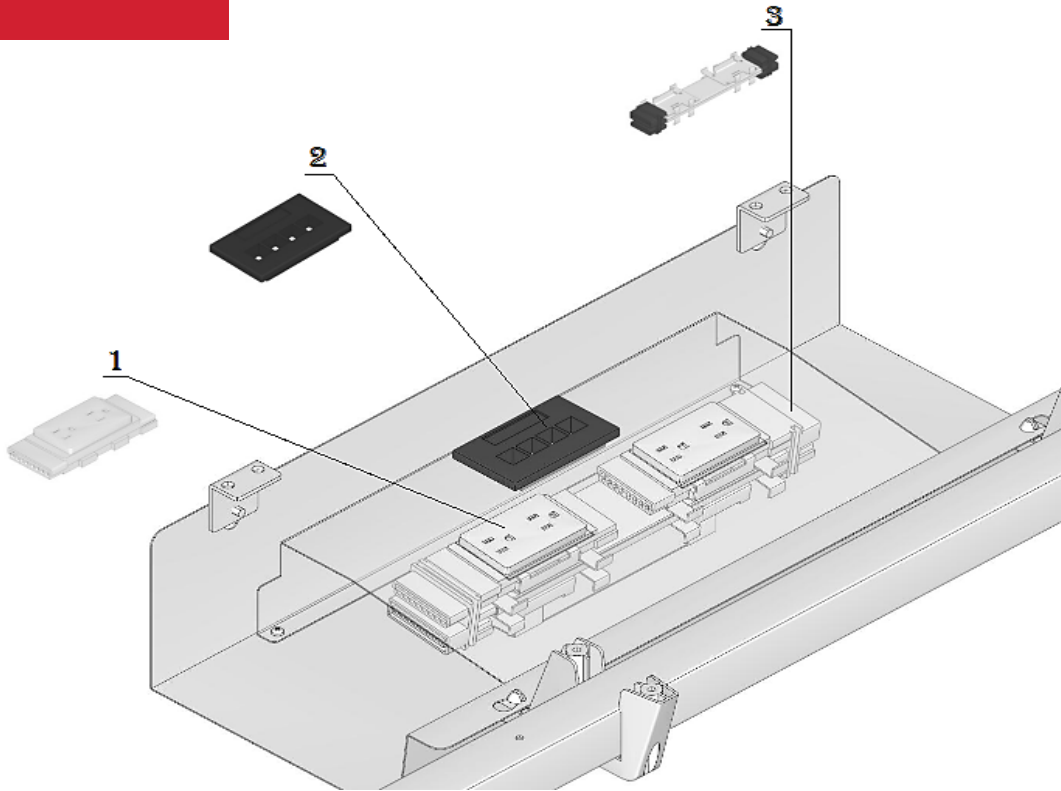
| No. | Part Number | Description | Finish Selection | List |
|-----|----------------------------------|---|------------------|-------|
| 1 | FVBSC.1848 L/R | Supporting Credenza, 48" W | | |
| | FVBSC.1860 L/R | Supporting Credenza, 60" W | | |
| | FVBSC.1872 L/R | Supporting Credenza, 72" W | | |
| 2 | FCREDSQ.SquareFeet | Post Foot | YES | \$31 |
| 3 | FVCCLD | Center Leg, Credenza Supported for double sided | YES | \$285 |
| 3.1 | | Hardware bag for Storage Support Attachment | NO | \$0 |
| 4 | 1VT0118-N | Ledge Pull (Default) | NO | \$46 |
| | WEDGE-PULL-167 | WEDGE PULL - FOR PED | NO | \$43 |
| | SLANT-PULL-167 | SLANT PULL - FOR PED | NO | \$36 |
| | DESIGNER-PULL-250-RED/Green/Grey | Designer Pull | NO | \$30 |



| No. | Part Number | Description | Finish Selection | LIST |
|-----|----------------------|--|------------------|-------|
| 1 | FVPP | Pole only | YES | \$46 |
| 2 | FVPP-2.3 | Power Pole U Bracket, screw M6*12(9), screw cap(6) | YES | \$35 |
| 3 | FVPP-2.2 | Power Pole Base Plate, with screw M8*12(4) | YES | \$149 |
| 4 | FVPP-2.4 | Power Pole Trough Trim - Double w/self threadingscrews (4) | YES | \$30 |
| | FVPP-2.5 | Power Pole Trough Trim - Single w/self threading screws (4) | YES | \$15 |
| 5 | FVPP-2.1 | Power Pole Fixed Part of Base | YES | \$38 |
| 6 | FVPP-H | Hardware Bag/Screws | NO | |
| 7 | FV-DZXSA FV-DZXDA | Connecting Trough, Single-Sided Connecting Trough, Double-Sided | YES | \$91 |
| 8 | FV-PL01 | Trough Support Brackets | YES | \$12 |
| 9 | FHSP20-3 | Ceiling Power, 4-Circuit, 8-Wire, 14ft | NO | \$901 |



Verity
 Electircal Distribution
 Receptacles - FVRECP.XX
 Data Port Plate - FVDPP



| No. | Part Number | Description | Finish Selection | LIST |
|-----|------------------|------------------------------------|------------------|-------|
| 1 | FIRECP4.I | Receptacle, 4 Circuit-A | YES | \$46 |
| | FIRECP4.II | Receptacle, 4 Circuit-B | YES | \$46 |
| | FIRECP4.III | Receptacle, 4 Circuit-C | YES | \$46 |
| | FIRECP4.IIIII | Receptacle, 4 Circuit-D, Dedicated | YES | \$46 |
| | FIRECP4.II-CONT | Receptacle, 4 Circuit-B CONTROLLED | YES | \$46 |
| | FIRECP4.III-CONT | Receptacle, 4 Circuit-C CONTROLLED | YES | \$46 |
| 2 | FTDPP | Data Port Plate 1/4" | YES | \$6 |
| 3 | FASP08-4-ZN | Power Retro | NO | \$110 |

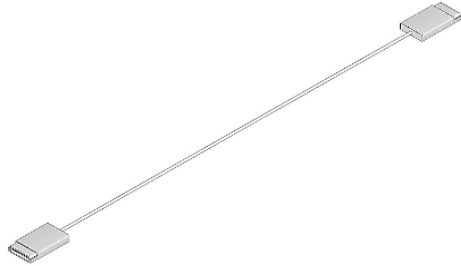


Verity

Electrical Distribution

4-Circuit Power Jumper

FVJUMP.XX-E



Jumper Calculation

Step 1 - Take the width of the first element and find that number in the Row.

Step 2 - Take the width of the second element and find that number across the top.

Step 3 - Where the row and column intersect that is the required jumper needed.

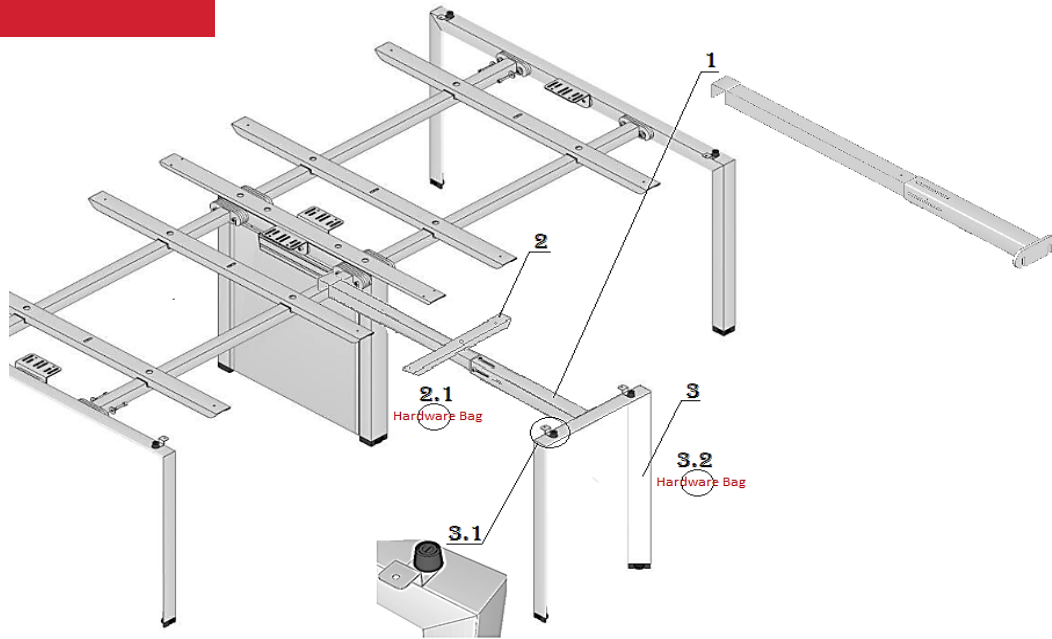
Power Jumper Sizing Chart

| | 48 | 54 | 60 | 66 | 72 | 78 | 84 |
|----|-----------|-----------|-----------|-----------|-----------|-----------|-----------|
| 48 | FVJUMP.48 | FVJUMP.54 | FVJUMP.54 | FVJUMP.60 | FVJUMP.60 | FVJUMP.66 | FVJUMP.66 |
| 54 | FVJUMP.54 | FVJUMP.54 | FVJUMP.60 | FVJUMP.60 | FVJUMP.66 | FVJUMP.66 | FVJUMP.72 |
| 60 | FVJUMP.54 | FVJUMP.60 | FVJUMP.60 | FVJUMP.66 | FVJUMP.66 | FVJUMP.72 | FVJUMP.72 |
| 66 | FVJUMP.60 | FVJUMP.60 | FVJUMP.66 | FVJUMP.66 | FVJUMP.72 | FVJUMP.72 | FVJUMP.78 |
| 72 | FVJUMP.60 | FVJUMP.66 | FVJUMP.66 | FVJUMP.72 | FVJUMP.72 | FVJUMP.78 | FVJUMP.78 |
| 78 | FVJUMP.66 | FVJUMP.66 | FVJUMP.72 | FVJUMP.72 | FVJUMP.78 | FVJUMP.78 | FVJUMP.84 |
| 84 | FVJUMP.66 | FVJUMP.72 | FVJUMP.72 | FVJUMP.78 | FVJUMP.78 | FVJUMP.84 | FVJUMP.84 |

| No. | Part Number | Description | Finish Selection | LIST |
|----------|---------------|--------------------------------|------------------|-------|
| 1 | C-FVJUMP.48-E | 4-Circuit Power Jumper - 40" W | NO | \$355 |
| | C-FVJUMP.54-E | 4-Circuit Power Jumper - 46" W | NO | \$398 |
| | C-FVJUMP.60-E | 4-Circuit Power Jumper - 52" W | NO | \$441 |
| | C-FVJUMP.66-E | 4-Circuit Power Jumper - 58" W | NO | \$483 |
| | C-FVJUMP.72-E | 4-Circuit Power Jumper - 64" W | NO | \$526 |
| | C-FVJUMP.78-E | 4-Circuit Power Jumper - 70" W | NO | \$568 |
| | C-FVJUMP.84-E | 4-Circuit Power Jumper - 76" W | NO | \$611 |



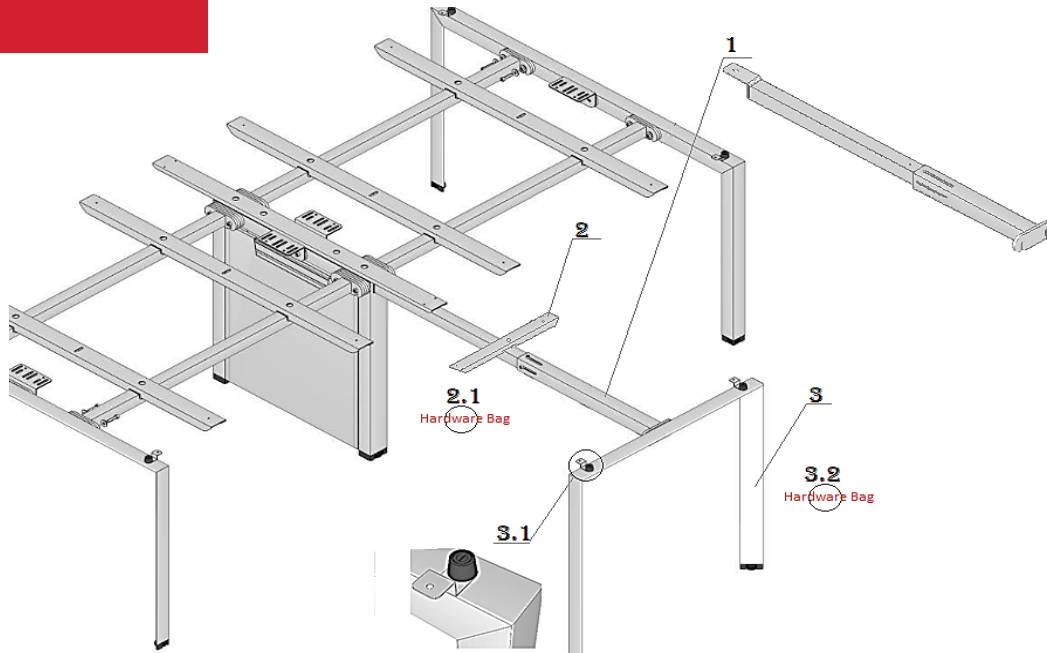
Verity
Return Worksurface, A-Style
At End of Run
FVRL.XXXX-A



| No. | Part Number | Description | Finish Selection | List |
|-----|-------------|--|------------------|-------|
| 1 | FV-GHLRA01 | Return beams w/screw M8*35(2) for 18,24 inch worksurface, return worksurface 36,42,48 inch | YES | \$220 |
| | FV-GHLRA02 | Return beams w/screw M8*35(2) for 18,24 inch worksurface, return worksurface 54,60 inch | YES | \$242 |
| 2 | FV-GZCB03B | Return Worksurface support bracket w/screw M6*10(2 used in 18 inch/24 inch deep worksurfaces | YES | \$67 |
| | FV-GZCB03A | Return Worksurface support bracket w/screw M6*10(2 used in 30 inch/36 inch deep worksurfaces | YES | \$102 |
| 2.1 | FV.BOLT.5.H | Hardware Bag for Worksurface support bracket (2) 5 mm Bolts | NO | |
| 3 | FVTL.24L/R | Leg: triangle glide(2), Plastic support(2)Triangle leg, single, left handed 24 inch deep | YES | \$209 |
| | FVTL.30L/R | Leg: triangle glide(2), Plastic support(2)Triangle leg, single, left handed 30 inch deep | YES | \$222 |
| 3.1 | FVTL-BRB | Catch (Z) Bracket for Triangle Leg | NO | \$10 |
| 3.2 | FV.BOLT.6.H | Hardware Bag, (2) 6mm Bolts for Triangle Leg | NO | |



Verity
Return Worksurface, B-Style
At worksurface seam
FVRL.XXXX-B

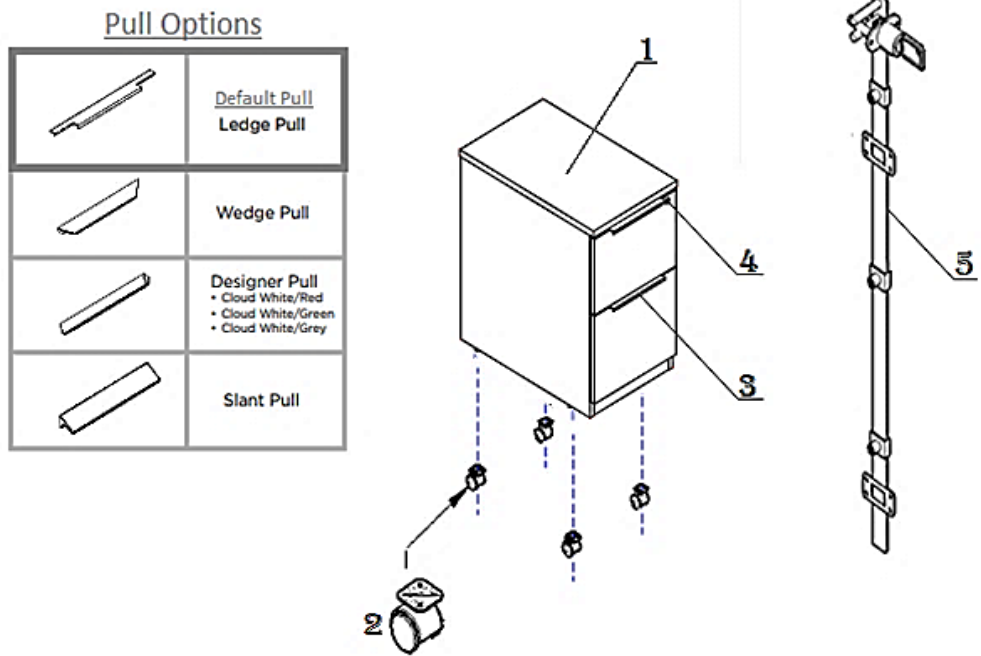


| No. | Part Number | Description | Finish Selection | List |
|-----|-------------|--|------------------|-------|
| 1 | FV-GHLRB01 | Return beams w/screw M8*35(2) for 30,36 inch worksurface, return worksurface 36,42,48 inch | YES | \$220 |
| | FV-GHLRB02 | Return beams w/screw M8*35(2) for 30,36 inch worksurface, return worksurface 54,60 inch | YES | \$242 |
| 2 | FV-GZCB03B | Return Worksurface support bracket w/screw M6*10(2 used in 18 inch/24 inch deep worksurfaces | YES | \$67 |
| | FV-GZCB03A | Return Worksurface support bracket w/screw M6*10(2 used in 30 inch/36 inch deep worksurfaces | YES | \$102 |
| 2.1 | FV.BOLT.5-H | Hardware Bag for Worksurface support bracket (2) 5 mm Bolts | NO | |
| 3 | FVTLS.24L/R | Leg: triangle glide(2), Plastic support(2)Triangle leg, single, left handed 24 inch deep | YES | \$209 |
| | FVTLS.30L/R | Leg: triangle glide(2), Plastic support(2)Triangle leg, single, left handed 30 inch deep | YES | \$222 |
| 3.1 | FVTL-BRB | Catch (Z) Bracket for Triangle Leg | NO | \$10 |
| 3.2 | FV.BOLT.6-H | Hardware Bag, (2) 6mm Bolts for Triangle Leg | NO | |







Verity

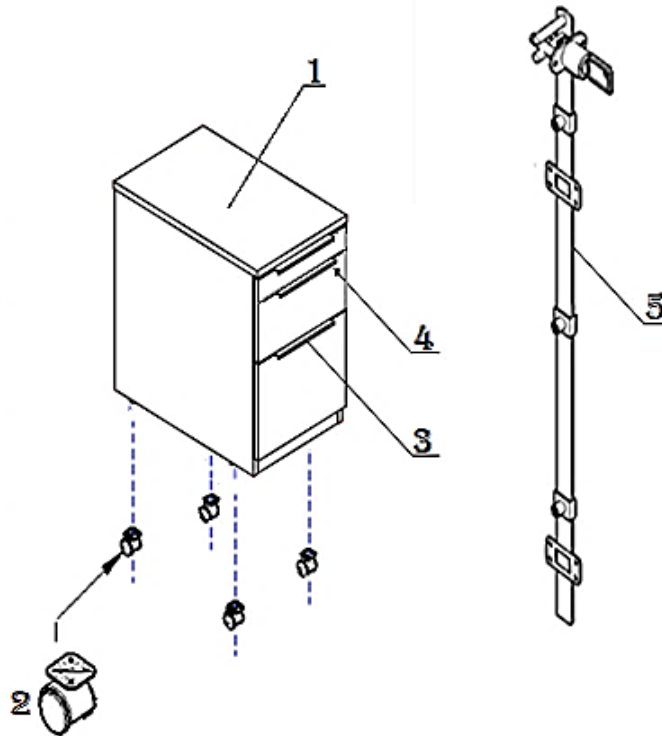
Laminate Mobile Pedestal
 Box/File
 FVBFMOB.20-LAM



| No. | Part Number | Description | Finish Selection | List |
|-----|----------------------------------|-------------------------------------|------------------|------|
| 1 | FVBFMOB.20-LAM | Supporting File/File Pedestal, 24"D | | |
| 2 | 30202010 | Universal wheel - H55 | NO | \$5 |
| 3 | 1VT0149-N | Ledge Pull (Default) | NO | \$46 |
| | WEDGE-PULL-167 | WEDGE PULL - FOR PED | NO | \$43 |
| | SLANT-PULL-167 | SLANT PULL - FOR PED | NO | \$36 |
| | DESIGNER-PULL-250-RED/Green/Grey | Designer Pull | NO | \$30 |
| 4 | LOCK2 | Lock Core, Keyed Separately | NO | \$24 |
| 4.1 | MKEY | Master Key | NO | \$24 |
| 4.2 | CCKEY | Change Key (Control Key) | NO | \$24 |

Pull Options

| | |
|---|---|
|  | <u>Default Pull</u> Ledge Pull |
|  | Wedge Pull |
|  | Designer Pull • Cloud White/Red • Cloud White/Green • Cloud White/Grey |
|  | Slant Pull |



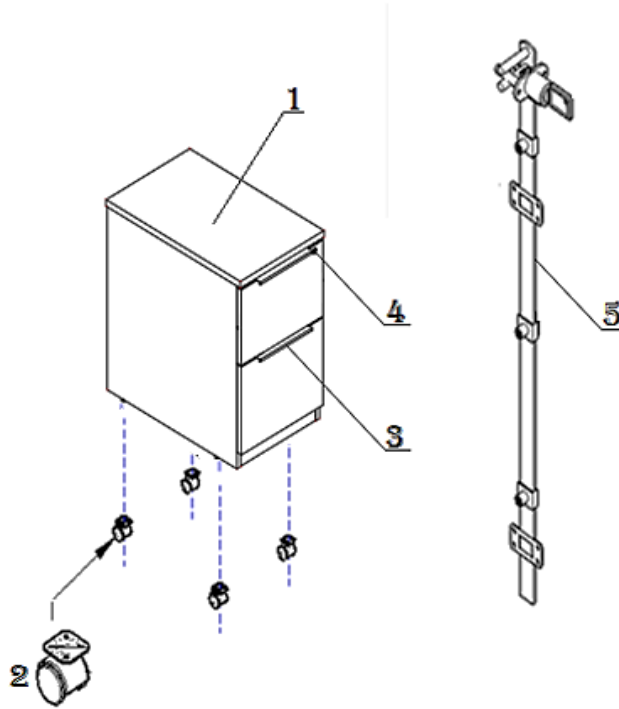
| No. | Part Number | Description | Finish Selection | List |
|-----|----------------------------------|--|------------------|------|
| 1 | FPEDSQP.BF-MOB-MET | Supporting Box/Box/File Pedestal, 24"D | | |
| 2 | 30202010 | Universal wheel - H55 | NO | \$5 |
| 3 | 1VT0149-N | Ledge Pull (Default) | NO | \$46 |
| | WEDGE-PULL-167 | WEDGE PULL - FOR PED | NO | \$43 |
| | SLANT-PULL-167 | SLANT PULL - FOR PED | NO | \$36 |
| | DESIGNER-PULL-250-RED/Green/Grey | Designer Pull | NO | \$30 |
| 4 | LOCK2 | Lock Core, Keyed Separately | NO | \$24 |
| 4.1 | MKEY | Master Key | NO | \$24 |
| 4.2 | CKKEY | Change Key (Control Key) | NO | \$24 |



Verity
Metal Mobile Pedestal
Box/File
FPEDSQP.BF-MOB-MET

Pull Options

| | |
|--|---|
| | <u>Default Pull</u> Ledge Pull |
| | Wedge Pull |
| | Designer Pull • Cloud White/Red • Cloud White/Green • Cloud White/Grey |
| | Slant Pull |



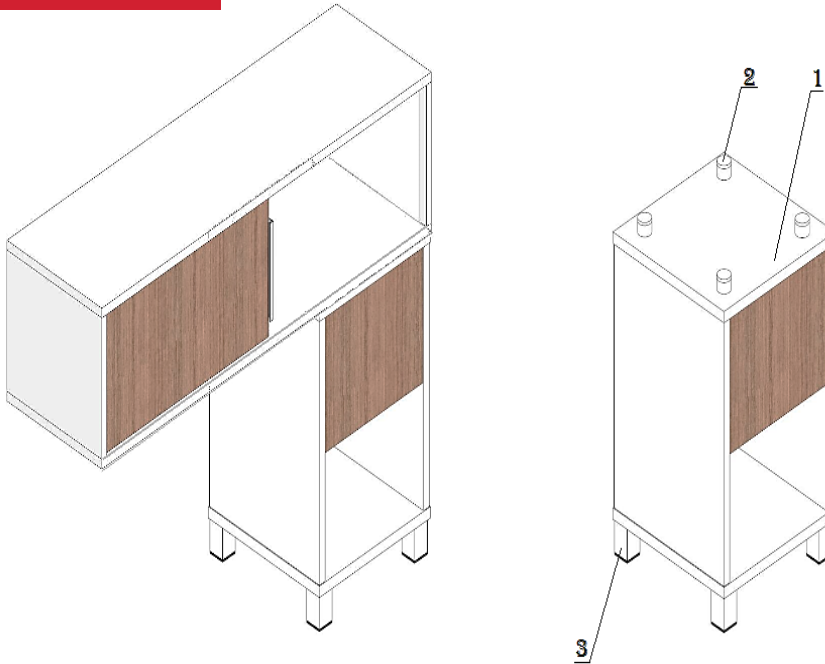
Premium Pulls - Wedge, Designer & Slant
 (Require Upcharge on Metal Storage)

| No. | Part Number | Description | Finish Selection | List |
|------------|----------------------------------|-------------------------------------|------------------|------|
| 1 | FVBFMOB.20-LAM | Supporting File/File Pedestal, 24"D | | |
| 2 | 30202010 | Universal wheel - H55 | NO | \$5 |
| 3 | 1VT0149-N | Ledge Pull (Default) | NO | \$46 |
| | WEDGE-PULL-167 | WEDGE PULL - FOR PED | NO | \$43 |
| | SLANT-PULL-167 | SLANT PULL - FOR PED | NO | \$36 |
| | DESIGNER-PULL-250-RED/Green/Grey | Designer Pull | NO | \$30 |
| 4 | LOCK2 | Lock Core, Keyed Separately | NO | \$24 |
| 4.1 | MKEY | Master Key | NO | \$24 |
| 4.2 | C-CKEY | Change Key (Control Key) | NO | \$24 |



Verity

Support for Over-Worksurface Storage
Support Cabinet
FVSC.1416

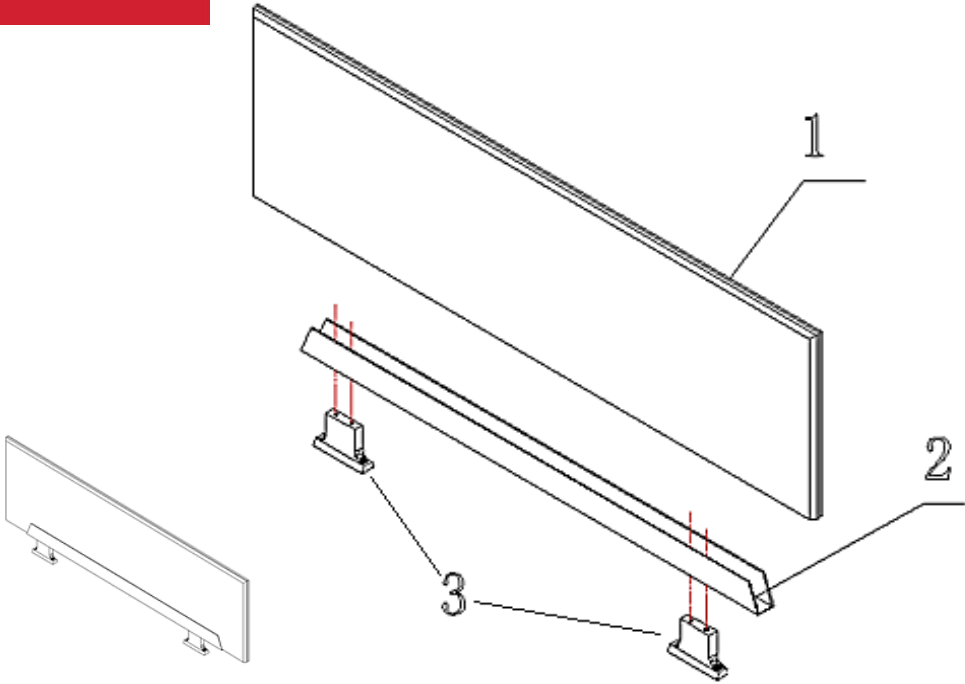


| No. | Part Number | Description | Finish Selection | List |
|-----|-------------|-----------------------------|------------------|------|
| 1 | FVSC.1515 | Supporting Credenza, 48" W | | \$0 |
| 2 | 30302037 | Stent (H25), Verity Cabinet | NO | \$46 |
| 3 | 1VT0117 | Steel Leg, Verity Cabinet | YES | \$34 |



Verity

Track-Mounted Fabric Tackboard 20"H
 FVTKBDT.20XX
 36-72"W



| No. | Part Number | Description | Finish Selection | List |
|-----|-------------|--------------------------------------|------------------|-------|
| 1 | FV-FM34 | UNUPHOLSTERED TACKBOARD PANEL - 15"H | NO | \$88 |
| | FV-FM40 | UNUPHOLSTERED TACKBOARD PANEL - 15"H | NO | \$103 |
| | FV-FM46 | UNUPHOLSTERED TACKBOARD PANEL - 15"H | NO | \$119 |
| | FV-FM52 | UNUPHOLSTERED TACKBOARD PANEL - 15"H | NO | \$134 |
| | FV-FM58 | UNUPHOLSTERED TACKBOARD PANEL - 15"H | NO | \$150 |
| | FV-FM64 | UNUPHOLSTERED TACKBOARD PANEL - 15"H | NO | \$150 |
| | FV-FM70 | UNUPHOLSTERED TACKBOARD PANEL - 15"H | NO | \$181 |
| 1 | FV-FM1834 | UNUPHOLSTERED TACKBOARD PANEL - 18"H | NO | |
| | FV-FM1840 | UNUPHOLSTERED TACKBOARD PANEL - 18"H | NO | |
| | FV-FM1846 | UNUPHOLSTERED TACKBOARD PANEL - 18"H | NO | \$143 |
| | FV-FM1852 | UNUPHOLSTERED TACKBOARD PANEL - 18"H | NO | |
| | FV-FM1858 | UNUPHOLSTERED TACKBOARD PANEL - 18"H | NO | \$180 |
| | FV-FM1864 | UNUPHOLSTERED TACKBOARD PANEL - 18"H | NO | |
| | FV-FM1870 | UNUPHOLSTERED TACKBOARD PANEL - 18"H | NO | \$217 |

| No. | Part Number | Description | Finish Selection | List |
|----------|-------------|--|------------------|-------|
| 1 | FV-FM2034 | UNUPHOLSTERED TACKBOARD PANEL - 20"H | NO | \$120 |
| | FV-FM2040 | UNUPHOLSTERED TACKBOARD PANEL - 20"H | NO | \$141 |
| | FV-FM2046 | UNUPHOLSTERED TACKBOARD PANEL - 20"H | NO | \$162 |
| | FV-FM2052 | UNUPHOLSTERED TACKBOARD PANEL - 20"H | NO | \$183 |
| | FV-FM2058 | UNUPHOLSTERED TACKBOARD PANEL - 20"H | NO | \$198 |
| | FV-FM2064 | UNUPHOLSTERED TACKBOARD PANEL - 20"H | NO | \$222 |
| | FV-FM2070 | UNUPHOLSTERED TACKBOARD PANEL - 20"H | NO | \$247 |
| 2 | FV-FMG01 | 36" Fabric Screen pedestal | YES | \$60 |
| | FV-FMG02 | 42/48" Fabric Screen pedestal | YES | \$66 |
| | FV-FMG03 | 54/60" Fabric Screen pedestal | YES | \$100 |
| | FV-FMG04 | 66/72" Fabric Screen pedestal | YES | \$2 |
| 3 | UN-60HC | Aluminium fittings W/screw M6*12(2), W/screw M6*10(2) | YES | \$37 |

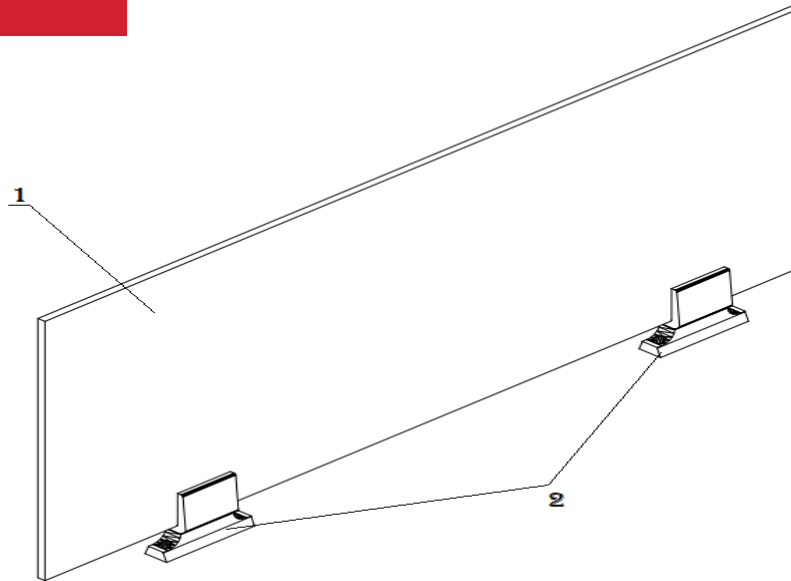


Verity

Track-Mounted Glass Screen Frosted/Clear 15"H

FVGSTXX.15XX

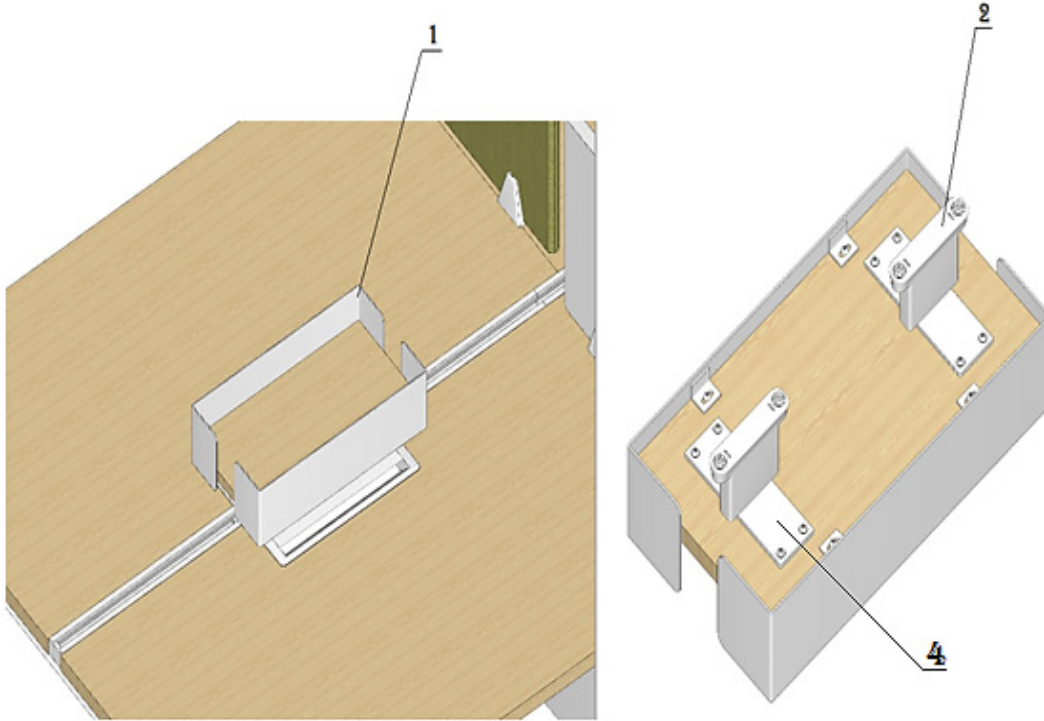
24-72"W



| No. | Part Number | Description | Finish Selection | LIST |
|-----|-------------|-----------------------|------------------|-------|
| 1 | FFG.1424-CL | Glass, 24"W (Clear) | NO | \$117 |
| | FFG.1430-CL | Glass, 30"W (Clear) | NO | \$145 |
| | FFG.1436-CL | Glass, 36"W (Clear) | NO | \$172 |
| | FFG.1442-CL | Glass, 42"W (Clear) | NO | \$198 |
| | FFG.1448-CL | Glass, 48"W (Clear) | NO | \$227 |
| | FFG.1454-CL | Glass, 54"W (Clear) | NO | \$255 |
| | FFG.1460-CL | Glass, 60"W (Clear) | NO | \$280 |
| | FFG.1466-CL | Glass, 66"W (Clear) | NO | \$305 |
| | FFG.1472-CL | Glass, 72"W (Clear) | NO | \$330 |
| 1 | FFG.1424-FR | Glass, 24"W (Frosted) | NO | \$260 |
| | FFG.1430-FR | Glass, 30"W (Frosted) | NO | \$324 |
| | FFG.1436-FR | Glass, 36"W (Frosted) | NO | \$388 |
| | FFG.1442-FR | Glass, 42"W (Frosted) | NO | \$451 |
| | FFG.1448-FR | Glass, 48"W (Frosted) | NO | \$517 |
| | FFG.1454-FR | Glass, 54"W (Frosted) | NO | \$524 |
| | FFG.1460-FR | Glass, 60"W (Frosted) | NO | \$580 |
| | FFG.1466-FR | Glass, 66"W (Frosted) | NO | \$636 |
| | FFG.1472-FR | Glass, 72"W (Frosted) | NO | \$691 |
| 2 | 1UN119 | Frameless Glass clamp | NO | \$46 |



Verity
 Track-Mounted Accessories
 Open Shelf
 FVOSS.XX



| No. | Part Number | Description | Finish Selection | LIST |
|-----|-------------|--|------------------|-------|
| 1 | FVOSS.16 | Open Shelf (Track Mounted), 16"W | YES | \$243 |
| | FVOSS.22 | Open Shelf (Track Mounted), 22"W | YES | \$284 |
| 2 | UN-60HC | Aluminium fittings W/screw M6*12(2) W/screw M6*10 (2) | YES | \$38 |
| 3 | FVOSOSH-APK | HARDWARE KIT FOR WORKSURFACE MOUNTED OPEN SHELF | NO | \$28 |
| 4 | FVOSS-B | Open Shelf Flat Plate | NO | |



Verity

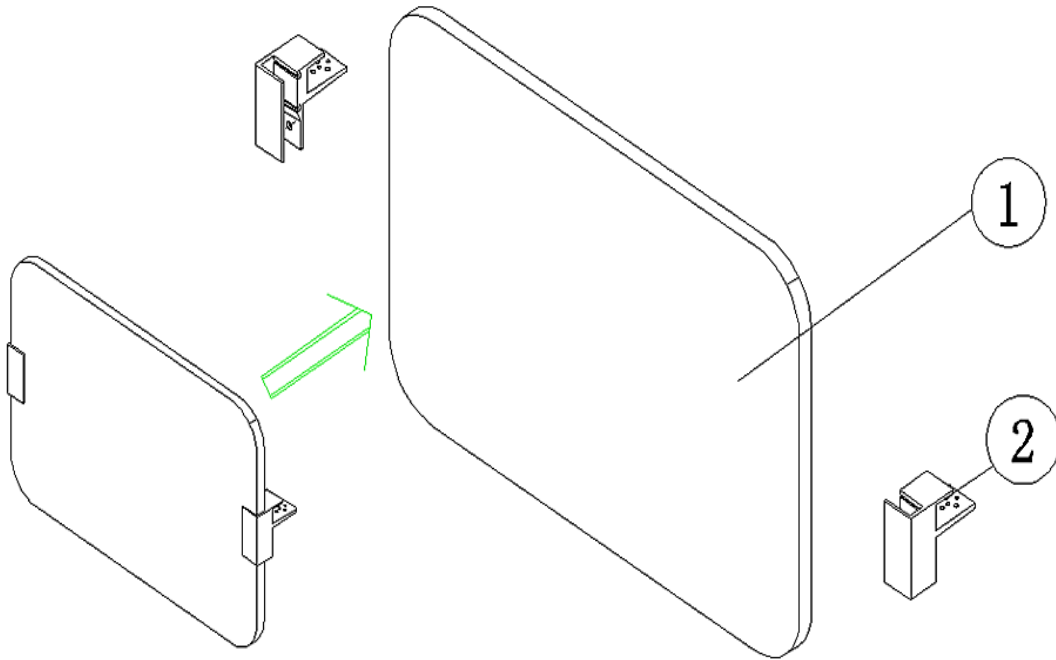
Privacy Screen

Fabric - FPSFLUSH.XXXX - FPSGAP.XXXX

Flush End-of-Run - FVPS.39XX

Marker Board - FMPSFLUSH.24XX - FMPSGAP.24XX

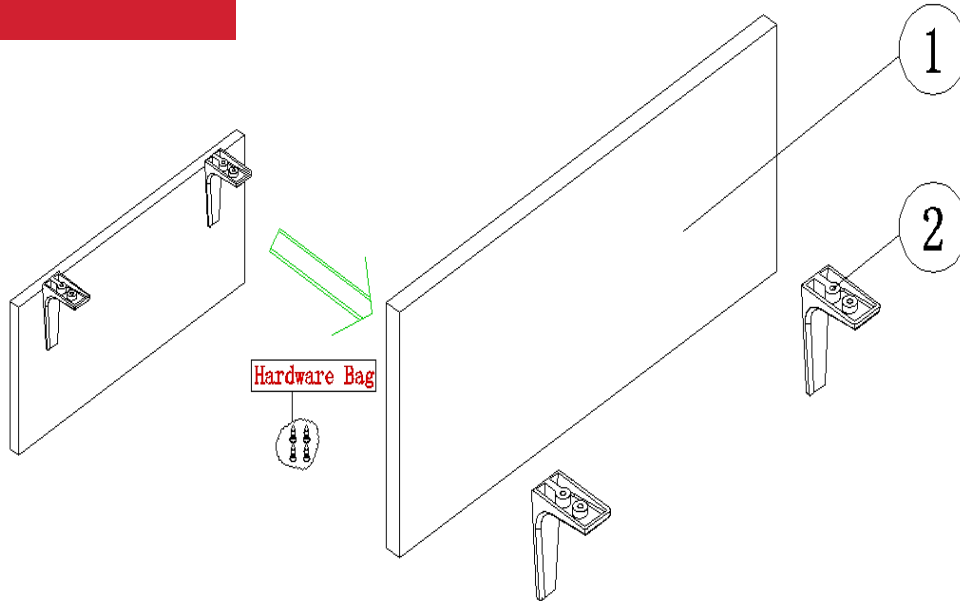
Laminate - FLPSFLUSH.24XX - FLPSGAP.24XX



| No. | Part Number | Description | Finish Selection | LIST |
|----------|-------------|---|------------------|-------|
| 1 | FATPS-34 | Privacy Screen Single Piece Board, 24 x 34 | YES | \$207 |
| | FATPS-40 | Privacy Screen Single Piece Board, 24 x 40 | YES | \$239 |
| | FATPS-46 | Privacy Screen Single Piece Board, 24 x 46 | YES | \$271 |
| | FATPS-52 | Privacy Screen Single Piece Board, 24 x 52 | YES | \$303 |
| | FATPS-58 | Privacy Screen Single Piece Board, 24 x 58 | YES | \$335 |
| | FATPS-64 | Privacy Screen Single Piece Board, 24 x 64 | YES | \$367 |
| 2 | FPSFLUSH-B | Privacy Screen Bracket, Flush (PAIR) | YES | \$100 |
| 2 | FPSGAP-B | Privacy Screen Bracket, Gap (PAIR) | YES | \$99 |
| 3 | FPS.H | Hardware Package for Privacy screen bracket (flush and gap) | NO | \$21 |



Verity
Modesty Panel, Laminate
FLMOD.XXXX

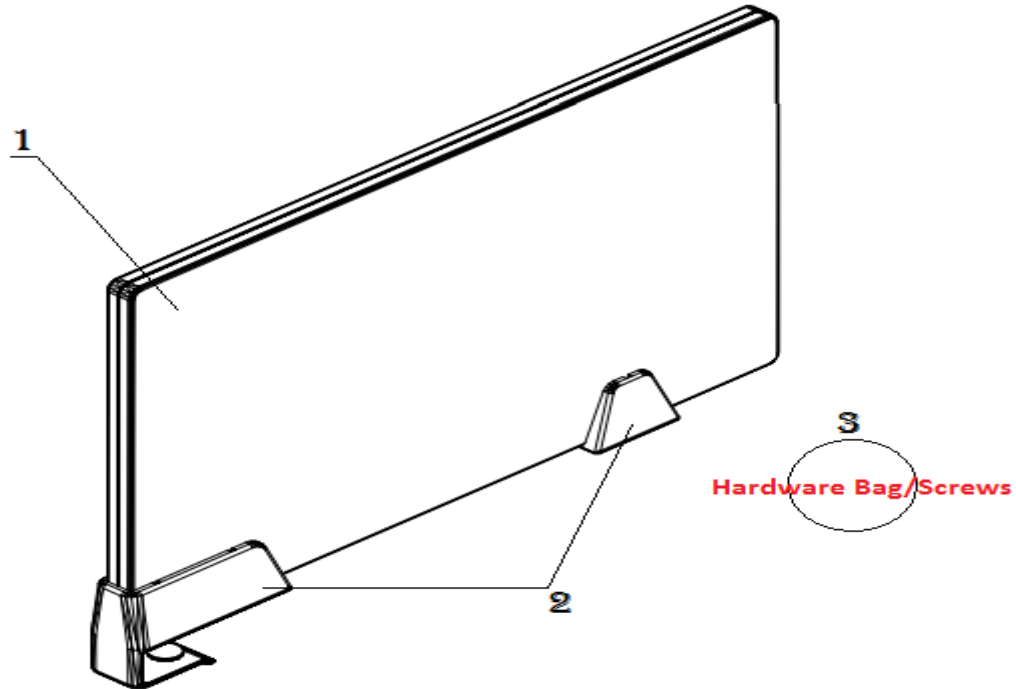


| No. | Part Number | Description | Finish Selection | LIST |
|-----|--------------|---|------------------|------|
| 1 | A-FLMOD.0836 | Modesty panel, 08x36 | YES | |
| | A-FLMOD.0842 | Modesty panel, 08x42 | YES | |
| | A-FLMOD.0848 | Modesty panel, 08x48 | YES | |
| | A-FLMOD.0854 | Modesty panel, 08x54 | YES | |
| | A-FLMOD.0860 | Modesty panel, 08x60 | YES | |
| | A-FLMOD.0866 | Modesty panel, 08x66 | YES | |
| | A-FLMOD.0872 | Modesty panel, 08x72 | YES | |
| | A-FLMOD.0884 | Modesty panel, 08x84 | YES | |
| 1 | A-FLMOD.0896 | Modesty panel, 08x96 | YES | |
| | A-FLMOD.1636 | Modesty panel, 16x36 | YES | |
| | A-FLMOD.1642 | Modesty panel, 16x42 | YES | |
| | A-FLMOD.1648 | Modesty panel, 16x48 | YES | |
| | A-FLMOD.1654 | Modesty panel, 16x54 | YES | |
| | A-FLMOD.1660 | Modesty panel, 16x60 | YES | |
| | A-FLMOD.1666 | Modesty panel, 16x66 | YES | |
| | A-FLMOD.1672 | Modesty panel, 16x72 | YES | |
| 2 | A-FLMOD.1684 | Modesty panel, 16x84 | YES | |
| | A-FLMOD.1696 | Modesty panel, 16x96 | YES | |
| 2 | FMOD.BRKT | Modesty panel bracket (pair) | YES | \$55 |
| 3 | FMOD.H | Hardware package for FMOD bracket pair (screws) | NO | \$2 |



Verity

Worksurface-Mounted Screens
Fabric Tackboard - FVTKBDW.XXXX
Glass Screen - FVGSWFR.15XX CL/FR
Markerboard Screen - FVMKRW.15XX

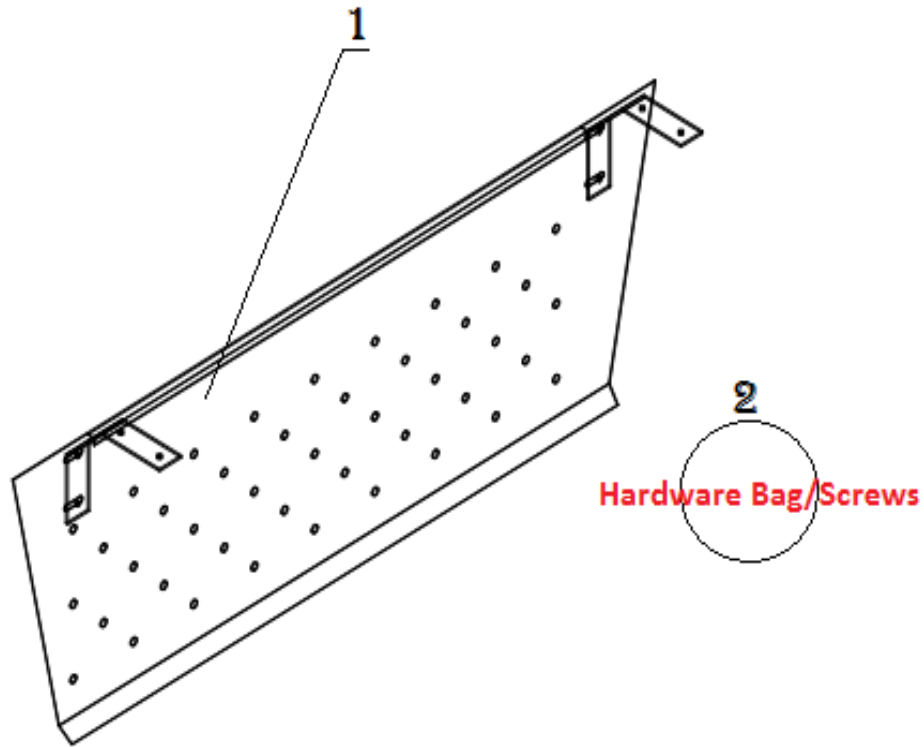


| No. | Part Number | Description | Finish Selection | List |
|-----|---------------|---|------------------|-------|
| 1 | FVTKBDW.1522 | Fabric Tackboard 15 x 22" (Surface Mounted) | NO | \$78 |
| | FVTKBDW.1528 | Fabric Tackboard 15 x 28" (Surface Mounted) | NO | \$99 |
| 1 | FVTKBDW.1822 | Fabric Tackboard 18 x 22" (Surface Mounted) | NO | \$0 |
| | FVTKBDW.1828 | Fabric Tackboard 18 x 28" (Surface Mounted) | NO | \$0 |
| 1 | FVTKBDW.2022 | Fabric Tackboard 20 x 22" (Surface Mounted) | NO | \$96 |
| | FVTKBDW.2028 | Fabric Tackboard 20 x 28" (Surface Mounted) | NO | \$119 |
| 1 | FVGSW.1522-CL | Clear Glass Screen 15 x 22, Clear (Surface Mounted) | NO | \$120 |
| | FVGSW.1528-CL | Clear Glass Screen 15 x 28, Clear (Surface Mounted) | NO | \$135 |

| No. | Part Number | Description | Finish Selection | List |
|-----|------------------|--|------------------|-------|
| 1 | FVGSW.1522-CL/FR | Clear Glass Screen 15 x 22, Specify Clear or Frosted (Surface Mounted) | NO | \$218 |
| | FVGSW.1528-CL/FR | Clear Glass Screen 15 x 28, Specify Clear or Frosted (Surface Mounted) | NO | \$261 |
| 1 | FVMKRW.1522 | Markerboard 15 x 22 (Surface Mounted) | NO | |
| | FVMKRW.1528 | Markerboard 15 x 28 (Surface Mounted) | NO | |
| 2 | FV-X | Set of Brackets for Fabric/Markerboard Screen | YES | \$60 |
| | FV-XT | Set of Brackets for Glass Screen | YES | \$66 |



Verity
 Under Surface-Mounted
 Modesty Panel
 FVMOD.16XX
 40"-70"W



| No. | Part Number | Description | Finish Selection | List |
|----------|-------------|--|------------------|------|
| 1 | FVMOD.1648 | 13.75"Hx40"W Modesty Panel (Surface Mounted) | YES | |
| | FVMOD.1654 | 13.75"Hx46"W Modesty Panel (Surface Mounted) | YES | |
| | FVMOD.1660 | 13.75"Hx52"W Modesty Panel (Surface Mounted) | YES | |
| | FVMOD.1666 | 13.75"Hx58"W Modesty Panel (Surface Mounted) | YES | |
| | FVMOD.1672 | 13.75"Hx64"W Modesty Panel (Surface Mounted) | YES | |
| | FVMOD.1678 | 13.75"Hx70"W Modesty Panel (Surface Mounted) | YES | |
| 2 | FVMOD-H | Hardware Bag for Under-Surface Mounted Panel | NO | |