

NOVO

PRICE BOOK



FRÍANT

ALL
WORKSTYLES
WELCOME

TABLE OF CONTENTS

| | | | | | |
|--|----|--|--------------|------------------------------|-----|
| INTRODUCTION | | Transaction Supports | 20 | | |
| Terms and Conditions | 3 | How to Specify My-Hite 2 Piece Extended | | | |
| Standard Fabrics | 6 | Corner or Rectangular Tops | 21 | | |
| Non-Standard Fabrics | 7 | Grommet Locations | 23-23 | | |
| Pattern Direction | 8 | Power Grommets | 28 | | |
| Standard Finishes | 9 | | | | |
| Trim/End Panel/Panel Glazing | 10 | | | | |
| Pull Options, Novo Storage | 11 | | | | |
| Data Port Plate | 12 | | | | |
| Panel Options, Knockout Location | 13 | | | | |
| Maximum Panel Run | 14 | | | | |
| Matching WS and HS Panels | 16 | | | | |
| Festoons | 17 | | | | |
| Door Swing Detail | 19 | | | | |
| | | | | | |
| MONOLITHIC PANELS | | WORKSURFACES | | COMPONENTS | |
| Monolithic Hard Surface Panel | | Rectangular | 69 | Components | 119 |
| Non-Electrical | 30 | Wedge | 71 | Frameless Glass | |
| Electrical | 32 | 90° Notched and Curved Corner | | Clear | 120 |
| Monolithic Hard Surface Partial-Glazed | | Square Edge Half Circle | 66 | Frosted | 114 |
| Non-Electrical | 34 | Quarter Round Tops | 74 | Privacy Screen, Fabric | 122 |
| Electrical | 35 | 120 °Wedge Tops | 75 | Privacy Screen, Marker Board | 123 |
| Monolithic Fabric-Covered Panel | | Square Edge D-Shaped | 72 | Privacy Screen, Laminate | 124 |
| Non-Electrical | 36 | 90° Extended Notched Corner | 77 | Modesty Panel, Laminate | 125 |
| Electrical | 38 | 90° Extended Curved Corner | 80 | Tackboards | 126 |
| Monolithic Partial Glazed Panel | | 90° Ext Notched Corner Peninsula | 83 | Markerboards | 127 |
| Non-Electrical | 40 | Ext Curved Corner Peninsula | 87 | Overheads and Shelves | 128 |
| Electrical | 41 | Ext Curved Corner P-Shape Peninsula | 91 | | |
| | | Ellipse End Peninsula | 93 | STORAGE | |
| SEGMENTED PANELS | | Rectangular Asymmetrical | 90 | Pedestals | 131 |
| Specification Guide | | 120° Rectangular | 95 | Lateral Files | 134 |
| Design 1 & 2 Segmented Panel Kit | 44 | 120° Corner / 90° Ends | 96 | Lateral File Counterweight | 135 |
| Design 1 & 2 Segments | 45 | 120° Corner / 120° Ends | 97 | Front-To-Back File Bars | 135 |
| Design 1 Segmented Panels | 46 | 135° Corner | 98 | Extended Glides | 135 |
| Design 2 Segmented Panels | 47 | 135° Double Corner | 95 | Lateral File Tops | 136 |
| Design 1 Segmented Panel | 48 | Transaction Surface | 96 | Freestanding Credenza Units | 138 |
| Design 2 Segmented Panel | 52 | Corner Transaction | 101 | Credenza Cushion | 139 |
| DOOR FRAMES | | | | Freestanding Towers | 140 |
| Door Frames | 57 | MY-HITE WORKSURFACES | | PULLS | |
| | | Rectangular | 103 | Pulls | |
| PANEL HARDWARE | | Corner | 104 | Lateral | 143 |
| Draw Rod | 59 | 90° Extended Curved Corner | 105 | Pedestal | 144 |
| Connectors | 60 | Rectangular Extension | 107 | | |
| | | D-Shaped | 108 | ACCESSORIES | |
| ELECTRICAL DISTRIBUTION | | Wedge | 109 | Desk Mounted Power Unit | 146 |
| Electrical Distribution | 63 | 120° Corner / 90° Ends | 110 | Toolbar | 146 |
| Power Grommets | 67 | 120° Corner / 120° Ends | 111 | Flat Paper Tray | 146 |
| | | WORKSURFACES SUPPORT | | Vertical Single Tray | 146 |
| | | Grommets | 112 | Vertical Triple Tray | 146 |
| | | Flat Bracket & Anti-Sag Bars | 109 | Carpet Gripper | 147 |
| | | Supports | 114 | Single & Dual Monitor Arm | 147 |
| | | Worksurface Supports Bracket | 116 | Keyed-Alike Information | 148 |

Terms and Conditions

PRICES

All Prices are F.O.B. point (Continental U.S.). We reserve the right to change prices without prior notice.

ORDERING

Purchase Orders should be sent to Friant & Associates, LLC at orders@friant.com, or faxed to (510) 535-6895. If your specifications were created with CAP, GIZA, or Project Matrix please send the worksheet (SP4) with your Purchase Order.

TERMS

Net 30 days from date of invoice. Invoices are delinquent if not paid 30 days from date of invoice. In the event timely payment is not made, interest will be charged at the rate of 1.5% per month on delinquent accounts. Buyers will also be liable for normal collection costs and attorney's fee. 50% deposit is required with every order, unless prior arrangements have been made.

ORDERS

Orders are only accepted by issuance of our formal acknowledgment, and are subject to the terms set forth herein and on our order acknowledgment. It is the responsibility of the buyer to review our acknowledgment for accuracy.

LEAD TIME

Lead times are subject to availability.

SHIPPING

Friant generally palletizes, boxes and/or shrink-wraps its products. If buyer requests additional packaging or special shipping, then it is responsible for any extra costs that result. Buyer obtains title to products and assumes the risk of loss for them upon shipment from Friant's plant.

CLAIMS

We are not responsible for damage suffered in transit. Merchandise should be inspected for possible freight damage upon delivery. The consignee should file for damage or shortages with the carrier within 5 days of delivery. You are also protected for "concealed damage" if you file claim with the carrier within 5 days of delivery. Buyer must make all claims against Friant for defects, errors or shortages in writing within 10 days after delivery. Failure to make such a claim shall constitute full acceptance.

RETURNS

No merchandise may be returned without our written consent and shipping instructions. Unauthorized returns will not be accepted and will be returned freight collect.

PARTIAL SHIPMENTS

We will make every attempt to ship orders complete and on schedule. However, we reserve the right to make partial shipments, as merchandise is ready. Invoices covering these shipments are to be paid as they become due.

ORDER CHANGE – CANCELLATIONS

Our order confirmation is final and binding. Any order change or cancellation is subject to our ability to conform. For the most up to date information, always review the order change/cancellation policy online. Allowable changes within the posted policy must be made in writing.

SHIPMENT AND PREPAID FREIGHT

Unless otherwise instructed, we reserve the option to ship by what is, in our opinion, the best possible way. Upon request, we will prepay and add freight for accounts with established credit.

DELIVERY

We are not liable for delay or failure of delivery due to strikes and/or differences with workmen, war, riot, fire, compliance with government regulations, acts of nature, failure or delays of sources of supply, or any other causes beyond our control.

STORAGE

If buyer cannot accept delivery when merchandise is ready, we reserve the right to transfer goods to storage. Costs of transfer and storage will be charged to the buyer's account, and we will deem such transfer as constituting shipment for all purposes, including invoicing, as of the date the transfer is made.

Terms and Conditions continued

CONSTRUCTION — SPECIFICATIONS

All items are produced to price list specifications unless otherwise advised. All dimensions shown are approximate. Manufacturer reserves the right to make modifications and/or improvements without prior notice.

FABRIC APPLICATION

Standard fabric application for panels 67" and below is Non-Directional application. Panels taller than 67" are only available in Directional application. When ordering panels 67" and below to match a panel taller than 67", specify matching direction. See individual pricebook specifications for details.

Friant & Associates is not responsible for charges associated with replacement of products due to incorrect specifications.

CUSTOMER'S OWN MATERIAL

Yardage requirement is based on 66" wide plain covering material, and must be increased if less than 66" wide. Special instructions for handling material (pattern, directional fabric, right side of reversible fabric, etc.) must be submitted in writing before fabric is delivered. In the absence of special instructions, we reserve the right to use our own judgment. We reserve the right to reject any covering, which in our opinion, is unsuitable for our upholstery purposes. However, in no instance shall we be held responsible for unsatisfactory results due to use of covering unsuitable for our upholstery methods.

We will not be responsible for errors caused by buyers not supplying us with sample cuttings attached to their order giving full identification of covering material, (name of supplier, covering name, number and color) for identification purposes and advising us of model number and quantity to which each cover is to be applied.

Customer's own material that is shipped freight collect will be refused. A service charge will be applied for the return of unusable C.O.M. Contact factory.

RIGHTS AND WARRANTIES — LIMITED LIFETIME WARRANTY

This warranty is given to the initial purchaser and is valid from the date of purchase, for as long as the initial purchaser owns the product. This warranty covers defects in material and craftsmanship found during normal usage of the product during the warranty period. Normal usage is defined by 8 hour shifts in the product's intended application and in an indoor environment that conforms to the ANSI/ASHRAE Standard 55: Thermal Environmental Conditions for Human Occupancy (relating to air temperature, mean radiant temperature, air velocity, clothing insulation, metabolic rate, and humidity). Friant's warranty does not cover usage other than normal usage as defined in the previous sentence. If the product is defective, and if written notice of the defect is given to Friant & Associates within the applicable warranty period, Friant & Associates, at its option, will either repair or replace the defective product with a comparable component or product. This warranty applies to all products except as noted below.

High wear parts, such as wood veneer, fabrics, laminates and other covering material/finishes, foam, glides, etc. are warranted for one (1) year. This warranty does not apply to damage caused by a carrier, alteration to the product not expressly authorized by Friant & Associates, nor to product considered to be of a consumable nature such as bulbs, light ballasts, etc. It also does not apply to "Customer's Own Material" (i.e. material specified by the customer that is not a standard Friant & Associates offering) used in the manufacture of Friant & Associates products.

Our warranty for LED lights is 2 years.

Friant & Associates does not warrant the matching of colors, grain or texture, except to within commercially acceptable standards. This includes normal variations between dye lots (fabrics).

A product will not be considered defective, and Friant & Associates will not be obligated to replace it, if it is not installed in a proper manner (i.e. product not leveled, not secured properly, etc.) or if it is not used in a manner and/or in an environment that constitutes normal usage, as defined above.

Except as noted above, Friant & Associates makes no express or implied warranties to any product, and in particular makes no warranty of fitness for any particular use. At Friant & Associates' option, product repair and replacement is the customer's exclusive remedy for any and all product defects.

Friant & Associates shall not be liable for consequential, economic, or incidental damages arising from any product defect.

Terms and Conditions continued

CALIFORNIA PROP 65 WARNING

Products in this catalog can expose you to chemicals including wood dust, which is known to the State of California to cause cancer or birth defects or other reproductive harm. For more information go to <https://www.p65warnings.ca.gov/products/furniture-products>."

CARB

Friant products are CARB 93120 compliant for formaldehyde (phase 2)

TSCA TITLE VI

Friant products are TSCA Title VI Compliant

MAS

Accredited Compliance Designation - ANSI/BIFMA x7.1 & e3-2014 7.6.1, 7.6.2, 7.6.3

California Dept. Of Public Health Standard Method v1.2

Conforms With: LEED v4

Criteria of MAS Certified Green ® Program

Standard Fabrics & Tile Application

| JOURNEY | | TERRAIN | | SLIDE | | SILKY | | SKY | |
|---------|------------|---------|-------|----------|-----------|---------|----------|---------|-------|
| PF801-1 | Quest | PF701-1 | Cloud | PF101-1 | Caramel | PF401-1 | Natural | PF301-1 | Terra |
| PF801-2 | Voyage | PF701-2 | Dusk | PF101-2 | Slate | PF401-2 | Parids | PF301-2 | Birch |
| PF801-3 | Transit | PF701-3 | Wave | PF101-3 | Pewter | PF401-3 | Overcast | PF301-3 | Moss |
| PF801-4 | Amble | PF701-4 | Earth | PF101-7 | Java | PF401-5 | Graphite | | |
| PF801-5 | Odyssey | | | PF101-9 | Sterling | | | | |
| PF801-6 | Caravan | | | PF101-10 | Crema | | | | |
| PF801-7 | Expedition | | | PF101-13 | Mustard | | | | |
| PF801-8 | Wayfare | | | PF101-14 | Avocado | | | | |
| | | | | PF101-15 | Pumpkin | | | | |
| | | | | PF101-16 | Ocean | | | | |
| | | | | PF101-17 | Blueberry | | | | |
| | | | | PF101-18 | Cardinal | | | | |
| | | | | PF101-19 | Flamingo | | | | |
| | | | | PF101-20 | Serenity | | | | |
| | | | | PF101-21 | Azure | | | | |
| | | | | PF101-22 | Orchid | | | | |
| | | | | PF101-23 | Plum | | | | |
| | | | | PF101-24 | Raven | | | | |

LIMITED AVAILABILITY

| SLIDE | | SILKY | | STICKS | | PASSAGE | |
|----------|---------|---------|-------|---------|-------|---------|-------|
| PF101-4 | Verde | PF401-4 | Field | PF501-3 | Sage | PF601-1 | Gull |
| PF101-6 | Vintage | | | PF501-4 | Straw | PF601-2 | Grove |
| PF101-8 | Latte | | | | | PF601-5 | Leaf |
| PF101-12 | Stem | | | | | PF601-6 | Brook |
| | | | | | | PF601-7 | Trail |
| | | | | | | PF601-8 | Amber |

Fabric is scheduled for discontinuation when inventory is exhausted. Please contact Customer Service for current stock levels. After discontinuation fabric will be available with extended lead time, subject to minimum yardage requirements.

NOTES:

- Passage and Terrain are not available on acoustical panels, pedestal cushions, tackboards or fabric screens.
- Please refer to the Fabric Direction Section in the Materials Reference Guide on the Dealer Resource Center for more details: <http://dealers.friant.com/dealers/product-literature/>
- **When ordering panels 67" and below to match an 85"H panel, specify matching direction.**
- Order fabric / finish sample online at www.friant.com
- Colors may vary slightly between dye lots.

Non-Standard Fabrics

CUSTOMER'S OWN MATERIAL

Yardage requirement is based on 66" wide plain covering material, and must be increased if less than 66" wide. Special instructions for handling material (pattern, directional fabric, right side of reversible fabric, etc.) must be submitted in writing before fabric is delivered. In the absence of special instructions, we reserve the right to use our own judgment. We reserve the right to reject any covering, which in our opinion, is unsuitable for our upholstery purposes. However, in no instance shall we be held responsible for unsatisfactory results due to use of covering unsuitable for our upholstery methods.

We will not be responsible for errors caused by buyers not supplying us with sample cuttings attached to their order giving full identification of covering material, (name of supplier, covering name, number and color) for identification purposes and advising us of model number and quantity to which each cover is to be applied.

Customer's own material that is shipped freight collect will be refused. A service charge will be applied for the return of unusable C.O.M. Contact factory.

NOTE:

Order fabric/ finish samples online at www.friant.com

GRADED IN PROGRAM

Additional fabrics are available for an upcharge of 30% of standard net. Additional discounting does not apply to upcharge. Please see below for more details. Any fabrics not listed below (including Guilford and Burch not on the list) must be COM.

FABRIC DIRECTION

All textiles listed are 66" wide, with the following icons used to denote the direction of which the fabric is applied. Any variations in the direction of fabric application will be noted by use of the icon and on which pieces the variation be used.

Burch

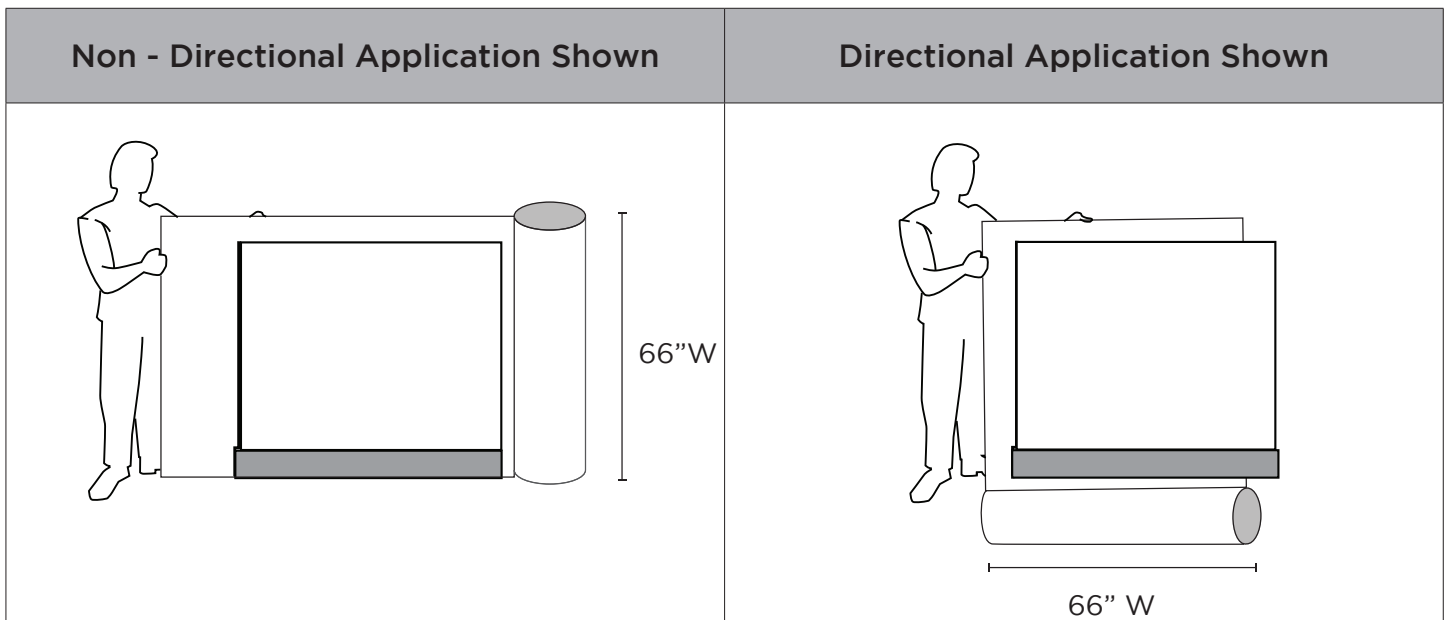
- Chain Link (6 colors) <https://burchfabrics.com/panel/chain-link/charcoal>
- Columbus (7 colors) <https://burchfabrics.com/panel/columbus/straw>
- Comet (4 colors) <https://burchfabrics.com/panel/comet/taupe>
- Fine Point (6 colors) <https://burchfabrics.com/panel/fine-point/vertex>
- Foundation (6 colors) <https://burchfabrics.com/panel/foundation/seagull>
- Glade (4 colors) <https://burchfabrics.com/panel/glade/field>
- Starburst (8 colors) <https://burchfabrics.com/panel/starburst/whitecap>
- Traction (6 colors) <https://burchfabrics.com/panel/traction/greystone>
- Trail (8 colors) <https://burchfabrics.com/panel/trail/rose-tan>

Guilford

- Anchorage 2335 - except cushions/see below (38 colors) <https://www.guilfordofmaine.com/patterns/2335-2334>
Cushion Version is Open House 2334 (38 colors that are exact matches to Anchorage) same link as above applies
- Auster (4 colors) <https://www.guilfordofmaine.com/patterns/2537>
- Bailey (2299 for panels - 9985 for cushions)
2299 (9 colors) <https://www.guilfordofmaine.com/patterns/2299>
- Coastline (9 colors) <https://www.guilfordofmaine.com/patterns/3495>
- Crosstown (11 colors) <https://www.guilfordofmaine.com/patterns/2526>
- Drift (8 colors) <https://www.guilfordofmaine.com/patterns/2539>
- Groove (8 colors) <https://www.guilfordofmaine.com/patterns/3497>
- Meander (8 colors) <https://www.guilfordofmaine.com/patterns/2660>
- Metallation (10 colors) <https://www.guilfordofmaine.com/patterns/5118>
- Otto (9 colors) <https://www.guilfordofmaine.com/patterns/2670>
- Phone Tag (4 colors) <https://www.guilfordofmaine.com/patterns/2314>
- Spinel (15 colors) <https://www.guilfordofmaine.com/patterns/3582>
- Streetwise (14 colors) <https://www.guilfordofmaine.com/patterns/2721>
- Tempest (11 colors) <https://www.guilfordofmaine.com/patterns/2120>

Pattern Direction

- Fabric direction is not always determined by the way the pattern is shown on memo sample.
- Certain product construction and sizes require fabric to be applied only Directionally or Non-Directionally.
- Some products have fabric applied either Directionally or Non-Directionally. (Upcharges may apply on some products, see price books for details).
- Please refer to our **Materials Reference Guide** on the Dealer Resource Center for specific pattern application defaults on all of our products: <http://dealers.friant.com/dealers/product-literature/>
- Our Customer Service Team is happy to answer any questions regarding fabric direction.



Standard Finishes - Laminate & PVC

Use the matrix below to identify worksurface, hardpanel and edge finish options. **Please note**, M1-M13 offer close matching finishes, while M14-M29 are paired as color matched finishes.

| WORKSURFACE FINISHES | | HARDSURFACE PANEL FINISHES | | SUPPLIER | EDGE FINISHES (3MM PVC) | |
|----------------------|----------------|----------------------------|------------------|-----------|-------------------------------------|----------------|
| M1 | Light Maple | 7909-60 | Fusion Maple | Wilsonart | E1 | Light Maple |
| M2 | Light Cherry | 7054-60 | Wild Cherry | Wilsonart | E2 | Light Cherry |
| M3 | Medium Cherry | 7924K-70 | Biltmore Cherry | Wilsonart | E3 | Medium Cherry |
| M4 | Dark Mahogany | 7040K-78 | Figured Mahogany | Wilsonart | E4 | Dark Mahogany |
| M5 | Light Mahogany | 7039K-78 | Windsor Mahogany | Wilsonart | E5 | Light Mahogany |
| M6 | Light Gray | D327-60 | Pepperdust | Wilsonart | E6 | Light Gray |
| M7 | Off White | 1572-60 | Antique White | Wilsonart | E7 | Off White |
| M8 | Gray Specks | 4621-60 | White Nebula | Wilsonart | *See additional edge finishes below | |
| M9 | Cloud White | 1573-60 | Frosty White | Wilsonart | E9 | Cloud White |
| M10 | Espresso | 7933K-07 | Cafelle | Wilsonart | E10 | Espresso |
| M11 | Light Walnut | 7937-60 | River Cherry | Wilsonart | E14 | Light Walnut |
| M12 | Medium Walnut | 7965K-12 | Walnut Heights | Wilsonart | E15 | Medium Walnut |
| M13 | Licorice | FB3920 | Licorice Groovz | Arauco | E13 | Licorice |
| M14 | Carob | FB3560 | Driftwood | Arauco | E17 | Carob |
| M15 | Mousse | FB2960 | Mochatini | Arauco | E18 | Mousse |
| M16 | Tundra | FB3930 | Concrete Groovz | Arauco | E19 | Tundra |
| M17 | Cocoa | FB2990 | Nirvana | Arauco | E20 | Cocoa |
| M18 | Capitan | FB3400 | Aria | Arauco | E21 | Capitan |
| M19 | Fog | FB2100 | Silver Frost | Arauco | E22 | Fog |
| M20 | Sandstone | FB2090 | Shadow Frost | Arauco | E23 | Sandstone |
| M21 | Medium Oak | FB2030 | Seria | Arauco | E24 | Medium Oak |
| M22 | Harbor | FB4310 | Umbr | Arauco | E25 | Harbor |
| M23 | Bark | FB3970 | Stromboli | Arauco | E26 | Bark |
| M24 | Tarmac | FB4320 | Ashen | Arauco | E27 | Tarmac |
| M25 | Winter | FB2130 | Fog Grey | Arauco | E28 | Winter |
| M26 | Storm | FB2000 | Pewter Frost | Arauco | E29 | Storm |
| M27 | Medium Ash | 8842 | Weathered Ash | Formica | E30 | Medium Ash |
| M28 | Arctic | 8841 | White Ash | Formica | E31 | Arctic |
| M29 | Raven | 1595-60 | Black | Wilsonart | E32 | Raven |
| | | D91-60 | Slate Gray | Wilsonart | | |

Note

- When pairing a laminate worksurface finish with hardsurface panel finish, there is a small difference in sheen.
- Match edging to worksurface finish by NAME, not number, or submit order with Edge To Match (ETM).
- Additional charge of 30% of standard net to use Hardsurface Panel Finishes on worksurfaces. Additional discounting does not apply to upcharge.

Note

- Hard Surface Panel Finishes are the standard laminates offered for hardsurface panels and laminate end panels (ending in -LAM).

* Additional Edge Finishes

| | |
|-----|-------------|
| E11 | Medium Tone |
| E12 | Dark Tone |

Contact suppliers directly for hardsurface panel **finish samples**.

Wilsonart

tel: 800-433-3222, <https://www.wilsonart.com/contact-us>,

Formica

tel: 800-367-6422, <https://www.formica.com/en-us/collections/commercial-ranges>

Arauco

Samples can be ordered at <https://store.samplingproduct.com/8340>.

Trim/End Panel/Panel Glazing

PAINT TRIM

DT Dark Tone

MT Medium Tone

CW Cloud White

SV Silver

END PANEL - MEL (See page 81)

DT Dark Tone

MT Medium Tone

CW Cloud White

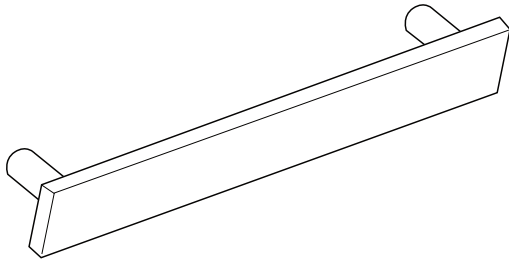
PANEL GLAZING

TR Clear

FR Frosted (Contact Customer Service for leadtime)

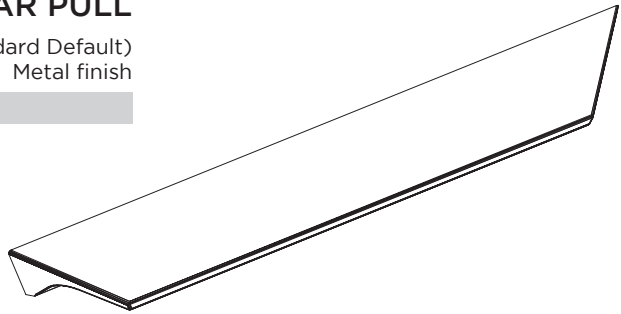
Pull Options, Novo Storage

Friant offers multiple pull options. Please specify type when ordering. If you have any questions, please contact Friant Customer Service or your local sales rep.



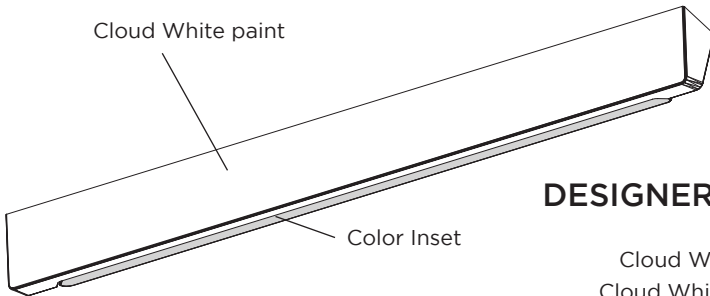
BAR PULL

(Standard Default)
Metal finish



WEDGE PULL

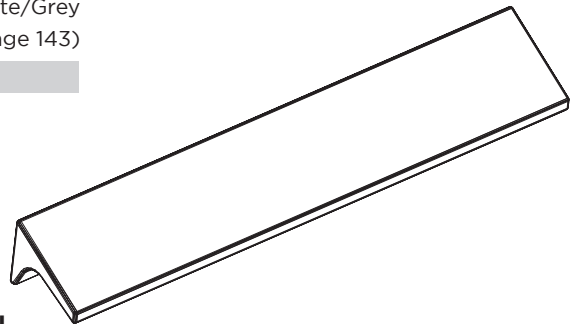
Brushed metal finish
(Upcharge applies to metal storage page 143.)



DESIGNER PULL

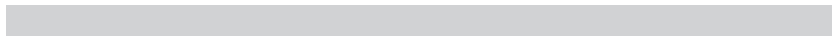
Cloud White/Red,
Cloud White/Green,
Cloud White/Grey

(Upcharge applies to metal storage. See page 143)

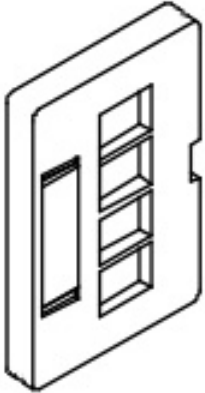
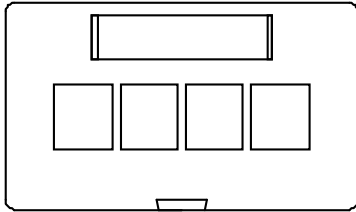


SLANT PULL

Brushed metal
(Upcharge applies to metal storage. See page 143)



Data Port Plate



Product Description

PART #: FHDPP

This Data Port Faceplate is field configurable, flush-mounted onto the Panel Base Kickplate, and provides 1 to 4 flush-mount ports for a variety of snap-in connectors and adaptors.

Product Notes

- Installation and changes can be made without removing the Panel Base Kickplate
- Plates can be installed and removed without any tools
- Window ID provided with each Data Port Plate
- Release latch provides easy access to connections without any tools
- Blank inserts included with each Data Port Plate

Dimensions

HEIGHT: 2¹/₈"

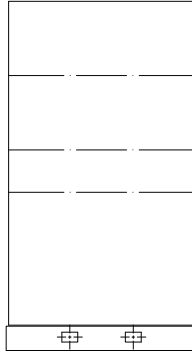
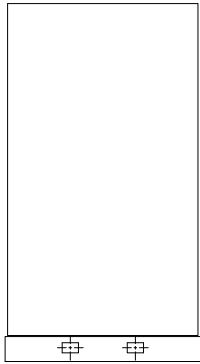
WIDTH: 3⁵/₈"

DEPTH: 0.75" (from face of Panel Base Kickplate)

MATERIAL: High impact plastic

Data Port Plate

The Novo system offers two categories of panels: monolithic and segmented.



KNOCKOUT LOCATIONS

- On powered panel knockouts are located 10.5" in from the edge of the panels.
- Knockouts are 3" by 1 7/8"
- Accepts receptacles, data port plates or base infeeds
- 24" frames have one knockout per side
- 30" and wider have two knockouts per side.



MONOLITHIC

Fabric Covered or Partial Glazed

SEGMENTED

Design 1 or Design 2, see pg 43

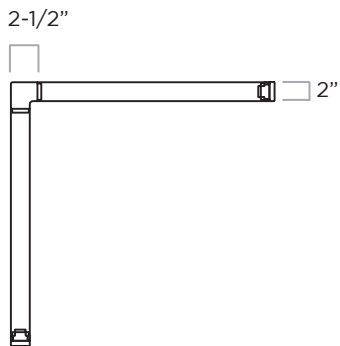
All panels are available electrical or non-electrical.

For Monolithic Panels, see page 29.

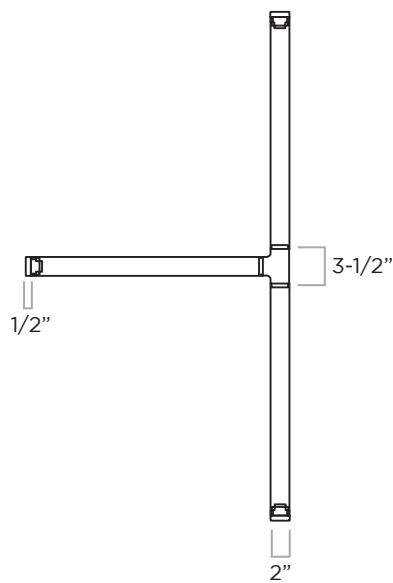
For Segmented Panels, see page 43 for spec guide and pages 29-52 for ordering.

Panel Creep

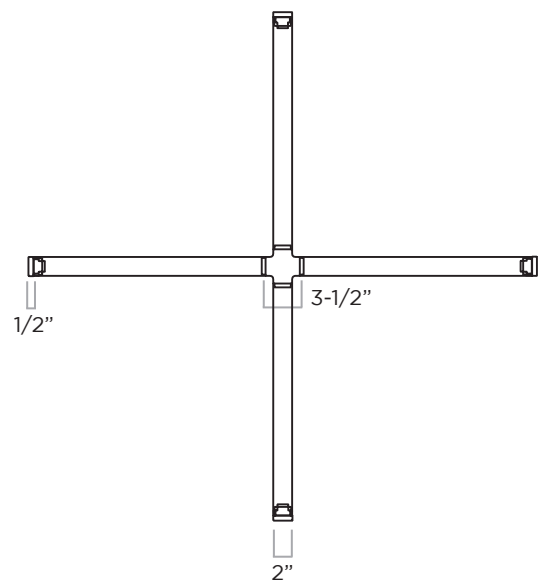
2-WAY



3-WAY



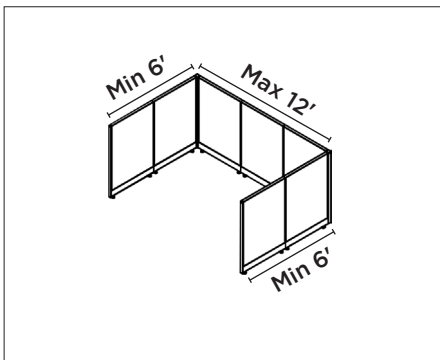
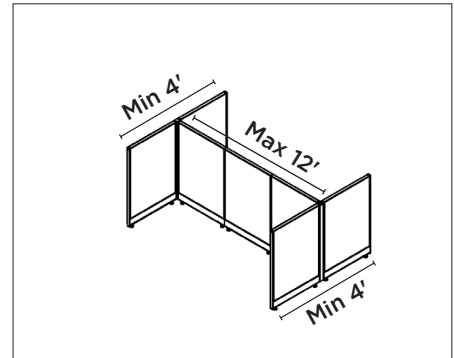
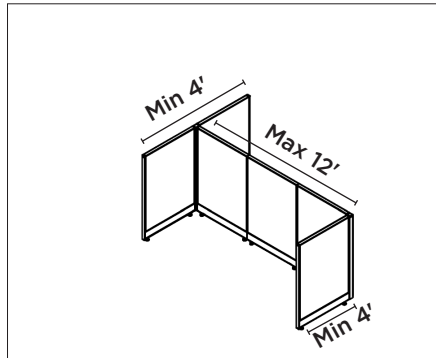
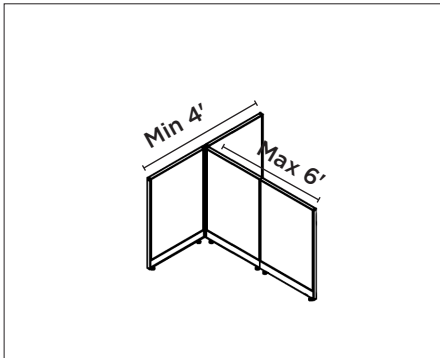
4-WAY



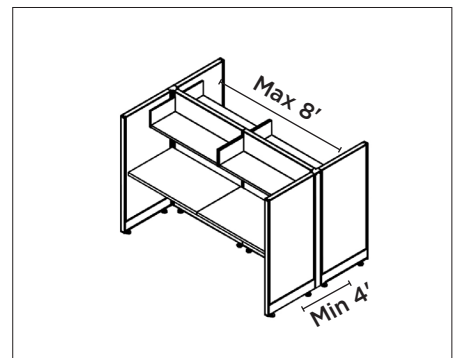
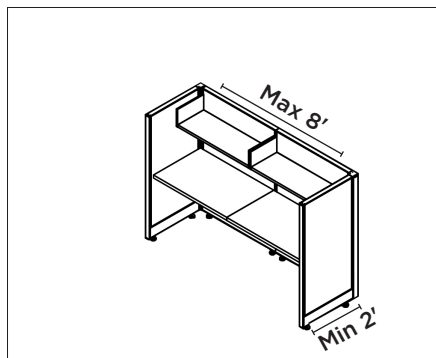
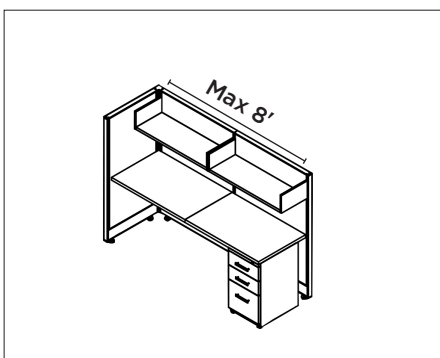
Maximum Panel Run - Recommended Guidelines

Panel runs need wall starts or wing panels for stability. Exceeding the recommended guidelines shown below may result in unstable panel configurations. Panels that are not properly supported will **yield** when pressure is applied.

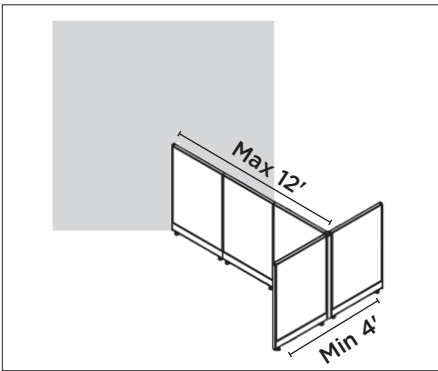
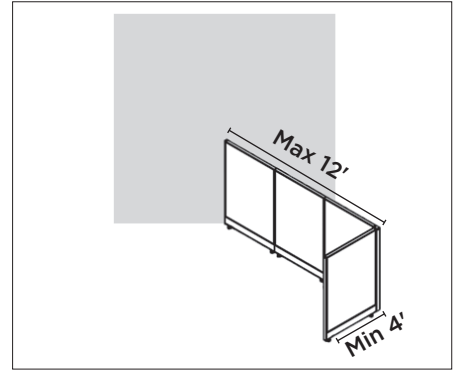
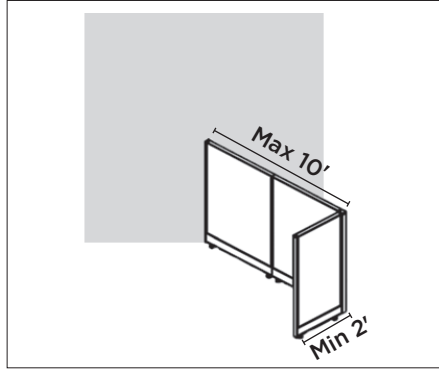
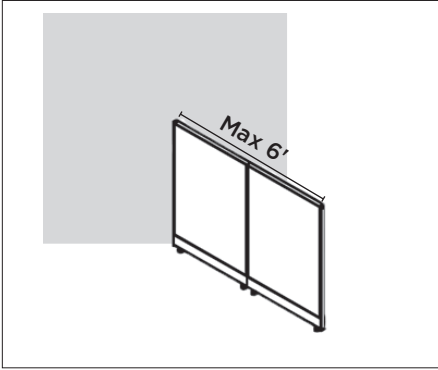
Freestanding



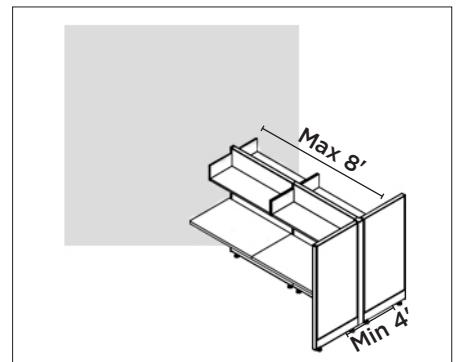
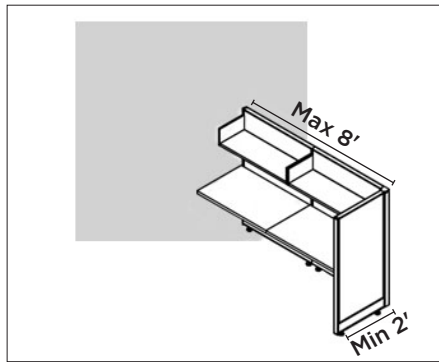
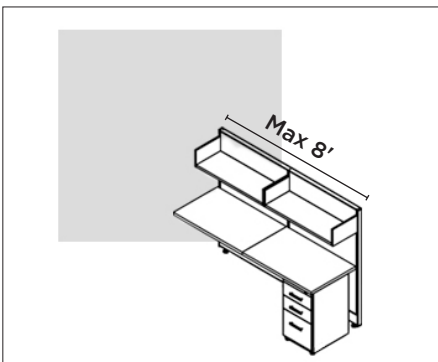
Freestanding with Components



Wall Start

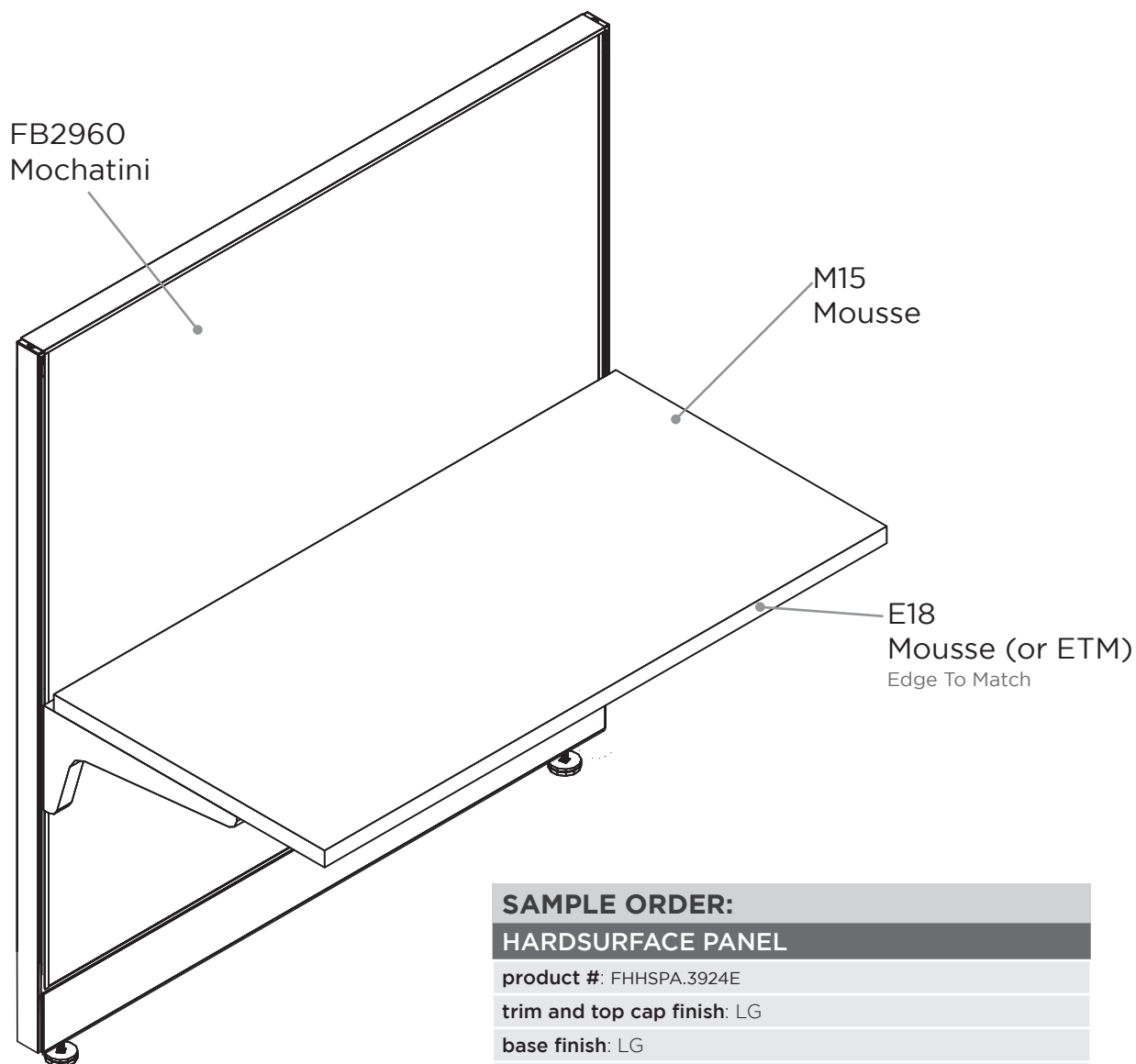


Wall Start with Components



Specifying Matching Worksurface and Hardsurface Panels

Pairing a worksurface finish with a hardsurface panel finish, use the matrix on page 9 to pick the standard finishes.



SAMPLE ORDER:

HARDSURFACE PANEL

product #: FHHSPA.3924E

trim and top cap finish: LG

base finish: LG

laminat finish (side 1): FB2960 Mochatini

laminat finish (side 2): F4320 Ashen

WORKSURFACE

product #: FHERWS.2424L

worksurface finish: M15 Mousse

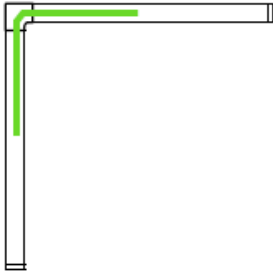
PVC edge: E18 Mousse

support finish: CW, Cloud White

Festoons

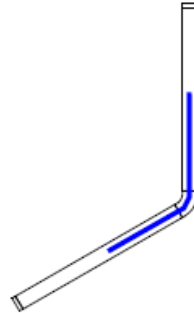
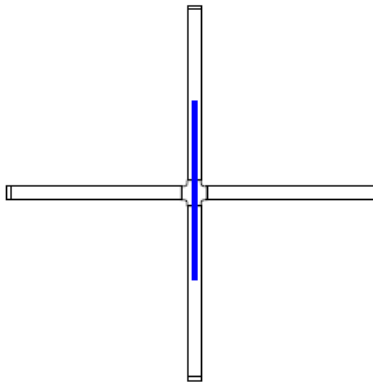
Festoons connect powered panels in a straight line or through connectors. All Novo powered panels will come with a panel to panel festoon, which extends power in a straight line from panel to panel. Because these are included, there is no need to order them separately.

Festoons will only need to be ordered separately when bringing power across a connector. Novo uses two different festoon sizes to achieve different connections. Please see below for details and specify festoons on page 65



90° Angle Festoon

- Part number FHCPK.90 on page 65
- Extends power at a 90 degree angle through a 2-way, 3-way, or 4-way connector



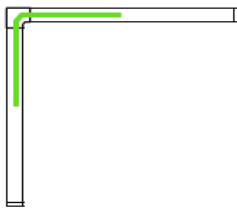
Panel Through Post Festoon

- Part number FHCPK.1 on page 65
- Extends power in a straight line through 90 ° 3-way or 4-way connector.
- Extends power through a 135° or 120° 2-way or 3-way connector.

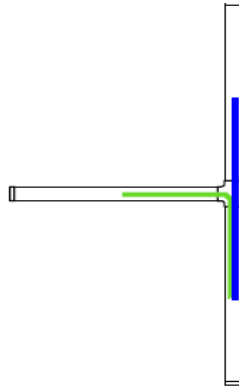
NOVO

Festoons..contd.

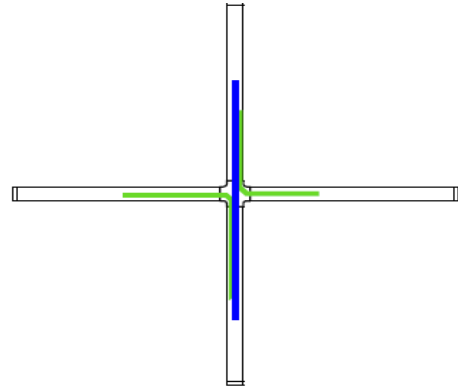
All Panels Powered



(1) FHCPK.90

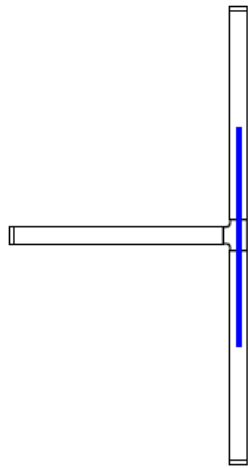


(1) FHCPK.90
(1) FHCPK.1

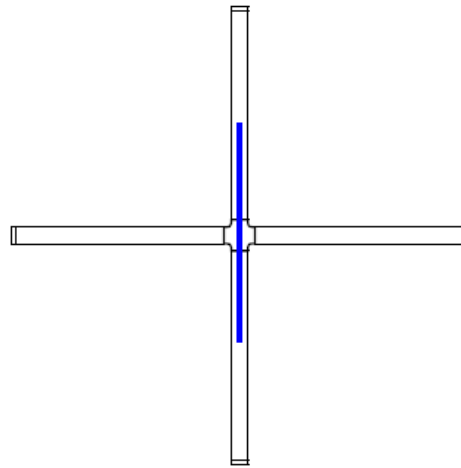


(2) FHCPK.90
(1) FHCPK.1

Spine Power Only

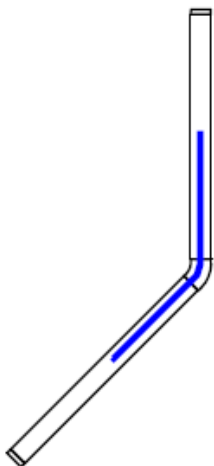


(1) FHCPK.1

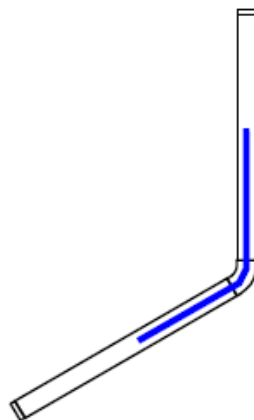


(1) FHCPK.1

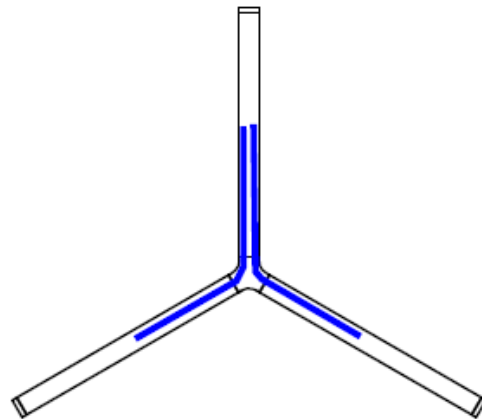
135 ° and 120 °



(1) FHCPK.1



(1) FHCPK.1



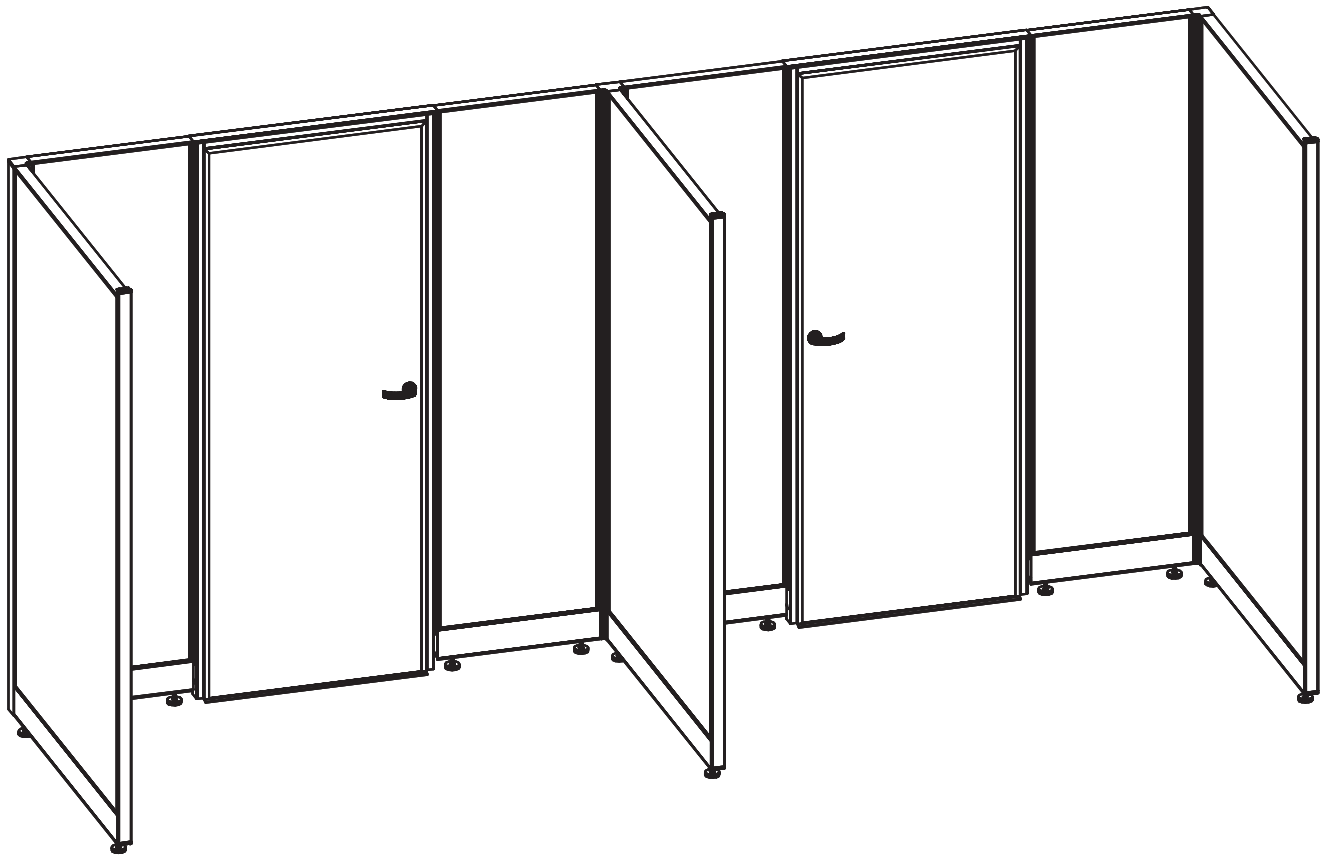
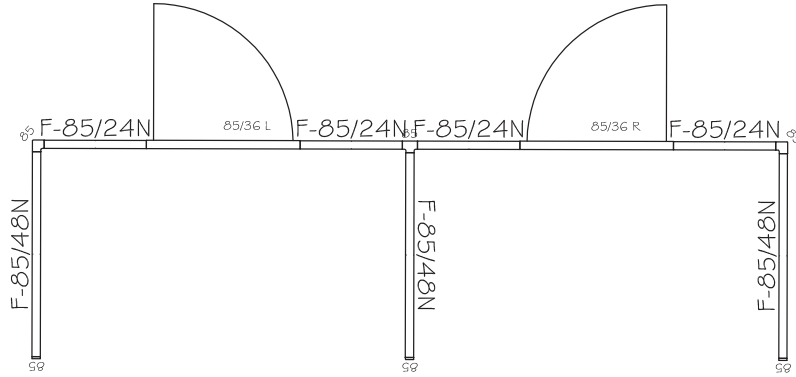
(2) FHCPK.1

Door Swing Detail

Novo doors are handed at the factory. Specify left or right hand swing on door on page 57

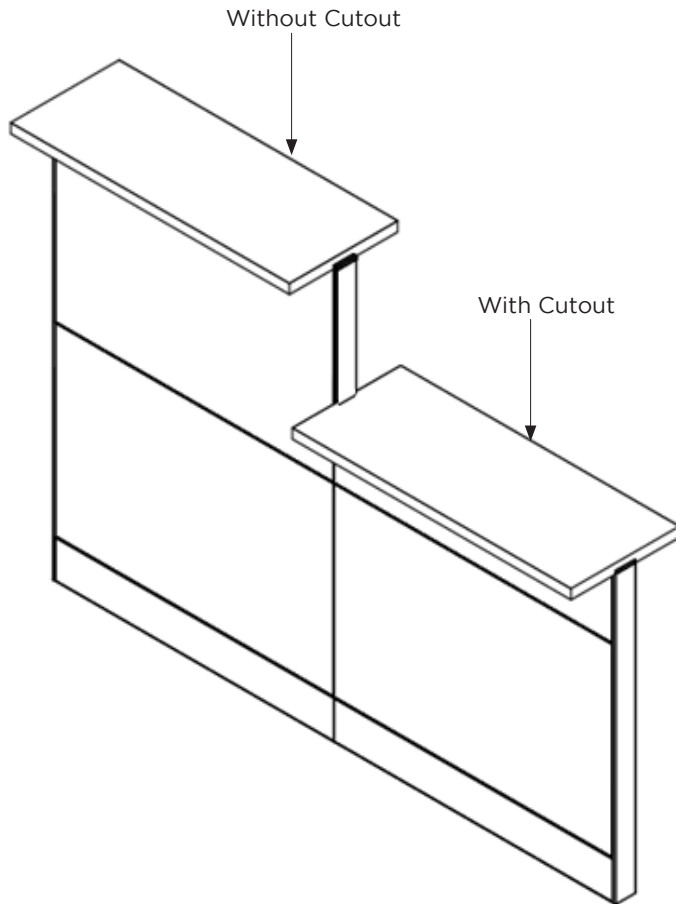
Left
FHDOPA.8536L

Right
FHDOPA.8536R



Transaction Support

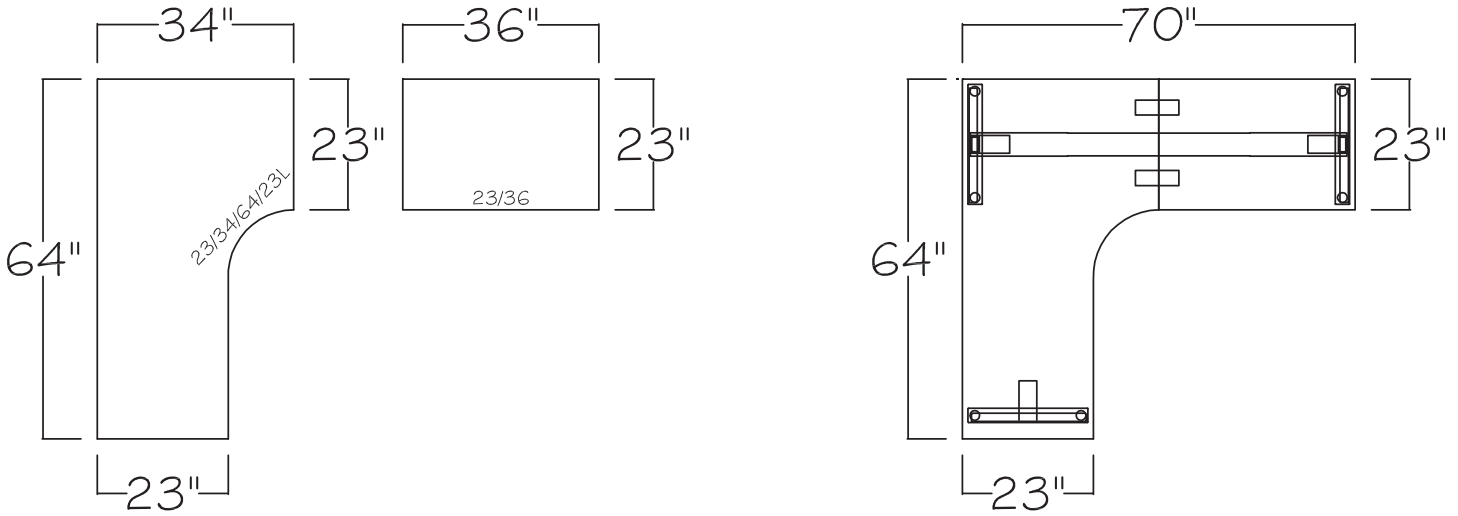
- Transaction tops with cutouts are used at the lower height at a change of height. The cutout accommodates the change of height trim. Specify transaction tops on page 88-89.
- The taller top does not need a cutout
- Novo Transaction supports do not need to be specified separately. Attachment hardware is included



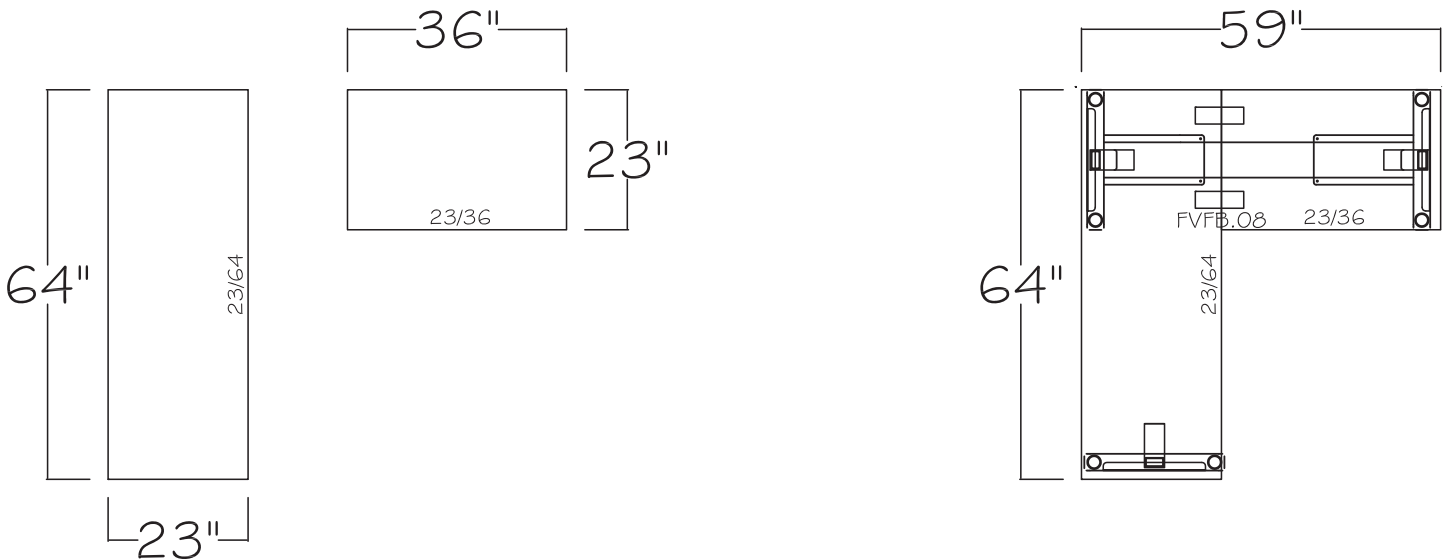
How To Specify My-Hite 2-Piece Extended Corner or Rectangular Tops

Use a FVFB.08 Flat Bracket pair to attach the two surfaces, making sure the seam is oriented so that it is supported by the continuous part of the My-Hite Corner Base. Maximum width combined: 72x96" or 84x84". Specify the Rectangular Extension on page 97.

To create an extended corner My-Hite station, specify an Extended Curved Corner with a Rectangular Extension.

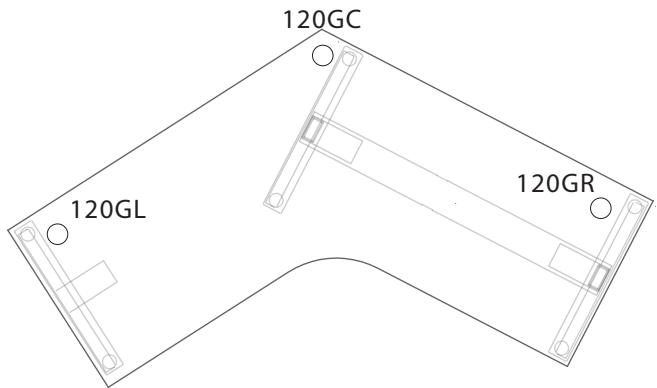


To create a two piece rectangular corner top, specify two rectangular tops, or a rectangular top and one rectangular extension.



Grommet Locations

2b Select a grommet location, 120° Tops



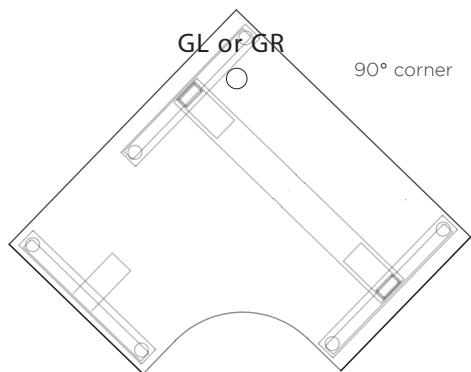
| CODE | POSITION |
|-------|---|
| 120GL | 4" from left side - 4" from rear |
| 120GR | 4" from right side - 4" from rear |
| 120GC | Centered from side to side - 4" from rear |

Dimensions are measured from grommet center

For other grommet locations, please call Friant customer service.

Grommets are 3" round with cover standard

2c Select a grommet location, 90° Equal Corners



| CODE | POSITION |
|----------|---------------------|
| GL or GR | 4" from from corner |

Dimensions are measured from grommet center

For other grommet locations, please call Friant customer service.

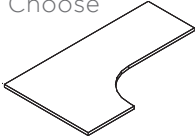
Grommets are 3" round with cover standard

Grommet Locations

1 Select a My-Hite worksurface

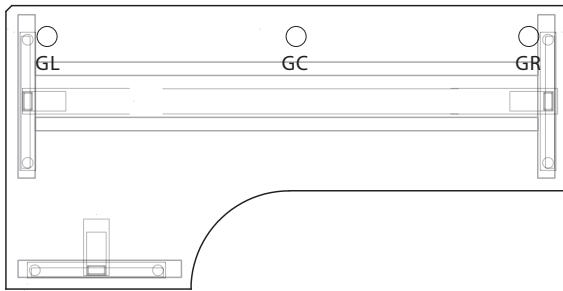
My-Hite tops (located on page 103) have optional grommets. Please use the two letter codes shown here when specifying location of grommets.

Grommets are 3" round with cover standard.

| | | |
|---|-------------------|----------------|
| Choose | Specify Part # | Specify Finish |
|  | FDECCWS.23345823R | Bark |

2 Select a grommet location

Specify positioning by using the two letter location.

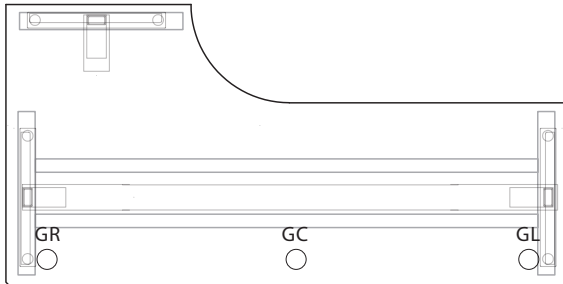
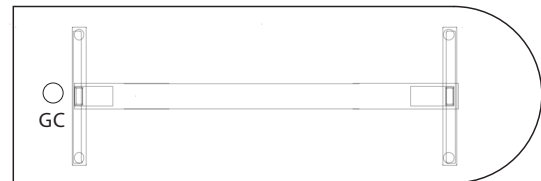
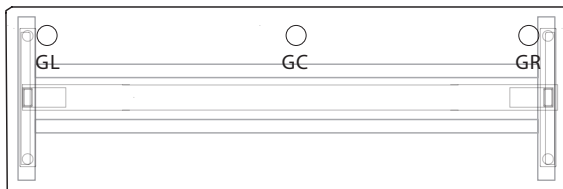


| CODE | POSITION |
|------|---|
| GL | 4" from left side - 4" from rear |
| GR | 4" from right side - 4" from rear |
| GC | Centered from side to side - 4" from rear |

Dimensions are measured from grommet center to top edge:

For other grommet locations, please call Friant customer service.

Please Note: Only the GC location is available on the D-Shaped worksurface.



Power Grommet Locations - Notch Cutouts, My-Hite Worksurfaces

FRIANT Power Grommet notch cutouts are required when specifying a Power Grommet on a worksurface supported by a My-Hite C-Leg adjustable height table base. Choose the size of power grommet (5x8 only) and cutout location (left, center or right). Specify Power Grommets on page 28 . An upcharge of \$75 applies for cutouts.

NOTE: Notch cutouts only available with 5x8 Power grommets and C-leg bases.

1 Select a My-Hite worksurface

My-Hite worksurfaces (starting on page 26)

2 Select a power grommet notch cutout location

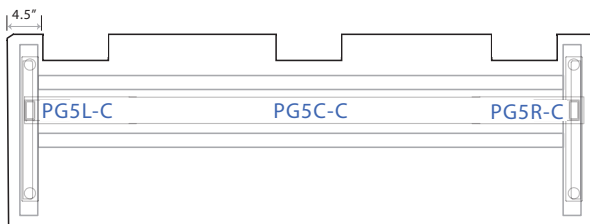
Less than 72"

| CODE | POSITION (Specific to worksurfaces 72" and below) |
|--------|---|
| PG5L-C | 4.5" from left side |
| PG5C-C | Centered |
| PG5R-C | 4.5" from right side |

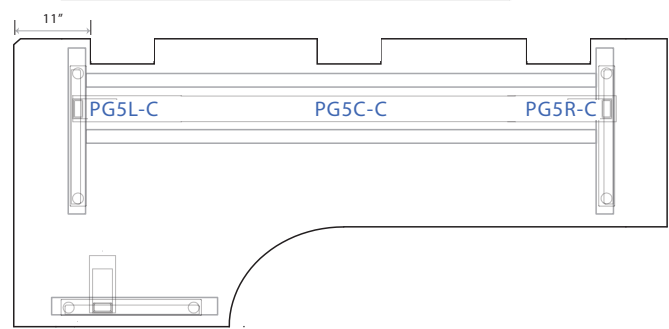
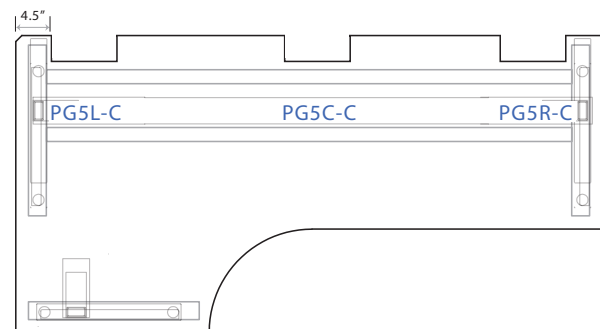
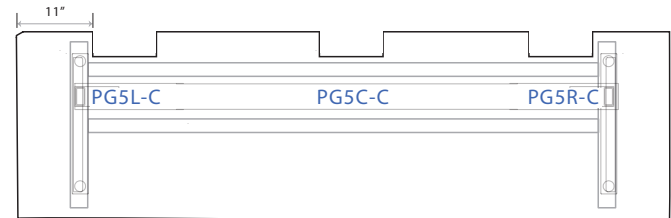
Over 72"

| CODE | POSITION (Specific to 78" and 84") |
|--------|------------------------------------|
| PG5L-C | 11" from left side |
| PG5C-C | Centered |
| PG5R-C | 11" from right side |

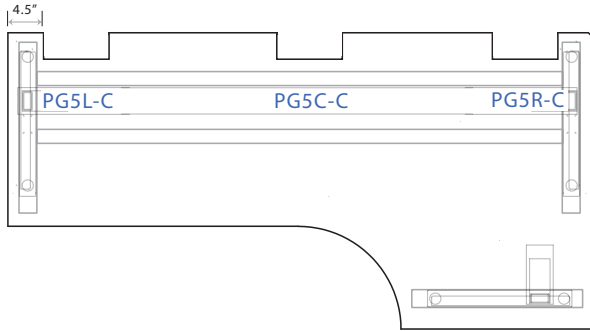
Less than 72"



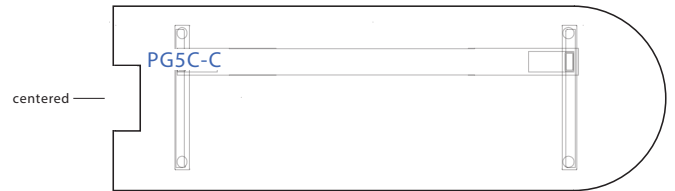
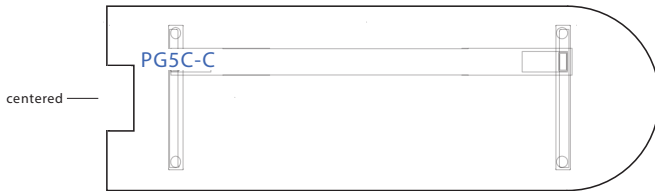
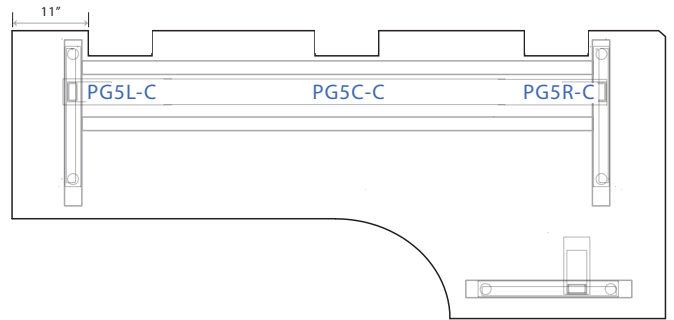
Over 72"



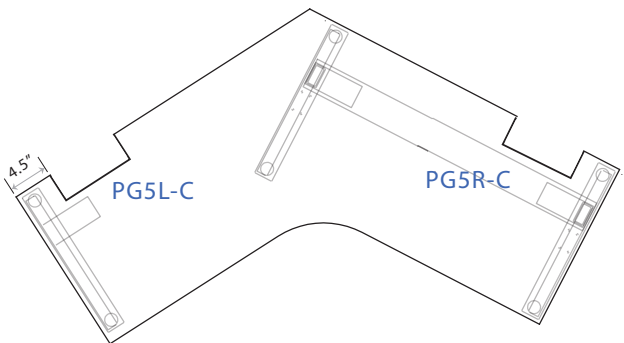
Less than 72"



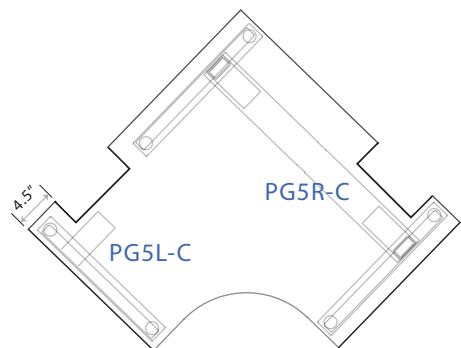
Over 72"



Positions for 120° worksurfaces:



Positions for 90° equal corner worksurfaces:



Power Grommet Locations - Interior Cutouts, My-Hite Worksurfaces

FRIANT Power Grommet interior cutouts are used when specifying a Power Grommet on a worksurface supported by a My-Hite T-Leg adjustable height table base. Choose the size of power grommet (5x8 or 6x8) and cutout location (left, center or right). Specify Power Grommets on page 28. An upcharge of \$75 applies for cutouts.

NOTE: Standard position Interior cutouts are not compatible with C-leg bases.

1 Select a My-Hite worksurface

My-Hite worksurfaces (starting on page 26)

2 Select a power grommet interior cutout location

Less than 72"

CODE POSITION (Specific to worksurfaces 72" and below)

PG6L 4.5" from left side, 1.5" from back

PG6C Centered, 1.5" from back

PG6R 4.5" from right side, 1.5" from back

PG5L 4.5" from left side, 1.5" from back

PG5C Centered, 1.5" from back

PG5R 4.5" from right side, 1.5" from back

Over 72"

CODE POSITION (Specific to 78" and 84")

PG6L 11" from left side, 1.5" from back

PG6C Centered, 1.5" from back

PG6R 11" from right side, 1.5" from back

PG5L 11" from left side, 1.5" from back

PG5C Centered, 1.5" from back

PG5R 11" from right side, 1.5" from back

120° and 90° worksurfaces

CODE POSITION (Specific to 120° and 90°)

PG6L 4.5" from left side, 1.5" from back

PG6C Centered, 1.5" from back

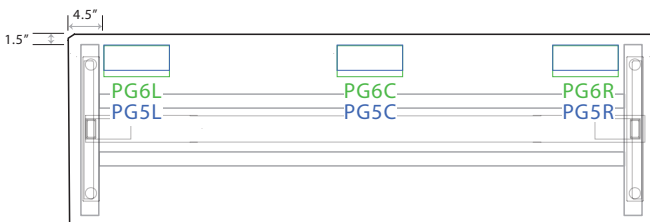
PG6R 4.5" from right side, 1.5" from back

PG5L 4.5" from left side, 1.5" from back

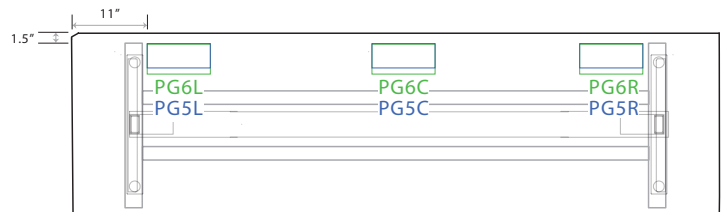
PG5C Centered, 1.5" from back

PG5R 4.5" from right side, 1.5" from back

Less than 72"

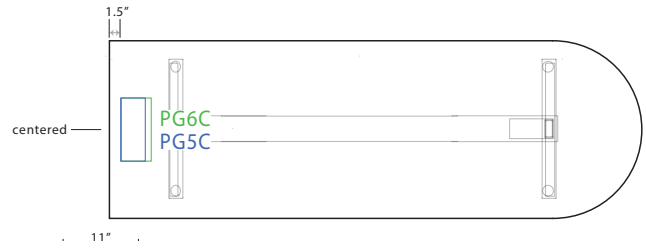
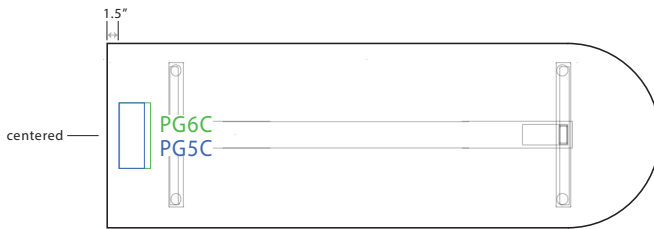
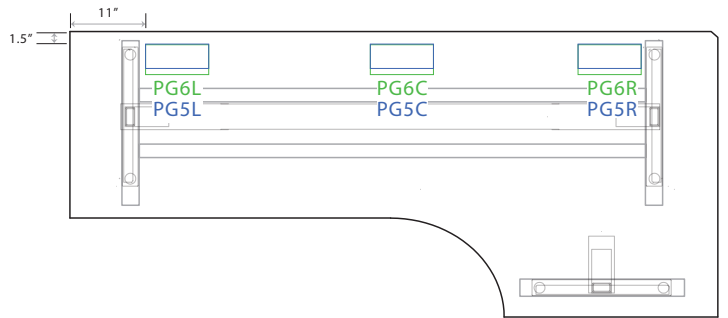
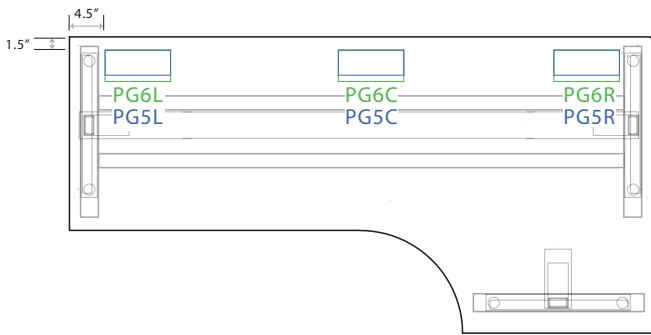
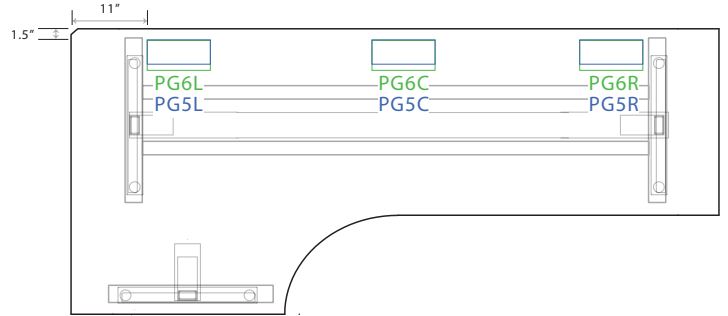
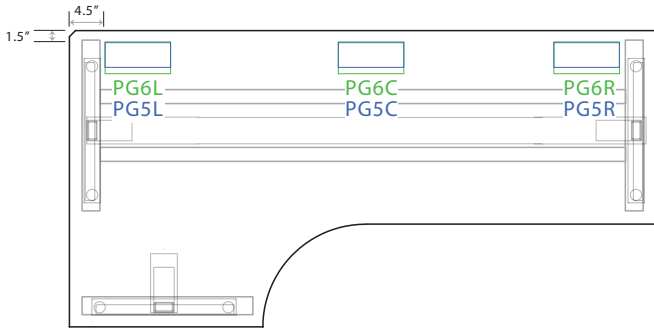


Over 72"



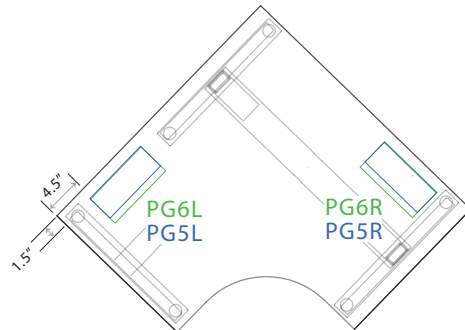
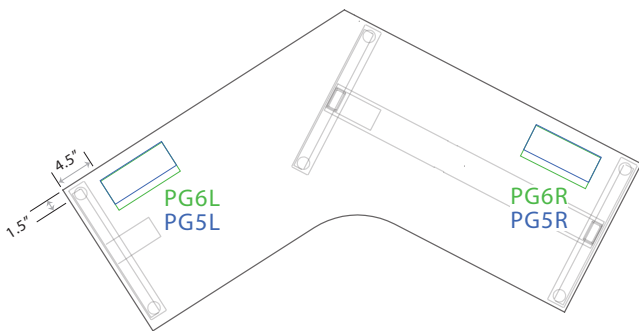
Less than 72"

Over 72"



Positions for 120° workspaces:

Positions for 90° equal corner workspaces:

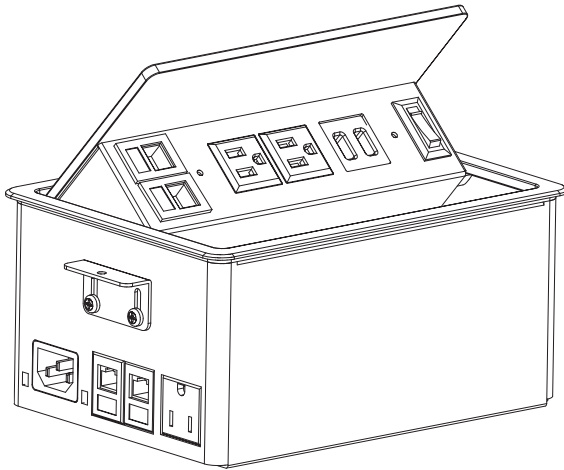


Power Grommet

FRIANT power grommets are available to meet different worksurface power and data needs. Choose the color of the power grommet (brushed aluminum, brushed charcoal, or cloud white). Specify power grommets on page 67

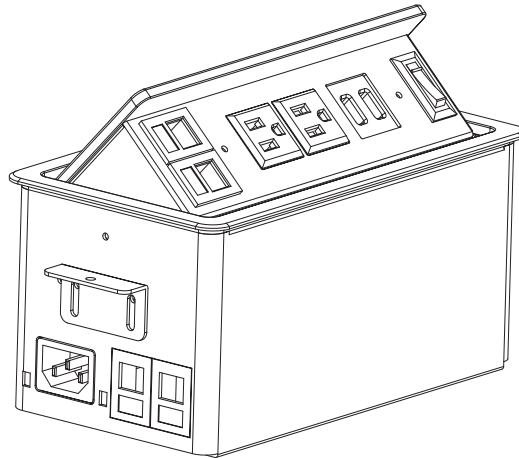
3 FINISHES AVAILABLE

Brushed aluminum, brushed charcoal and cloud white



INCLUDES SPRING CORD

(Not shown) For connection to power source



POWER GROMMETS

6x8

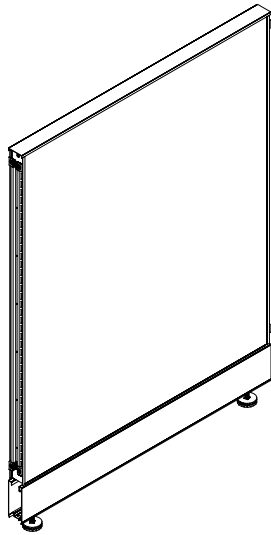
- (2) CAT6 Data Ports
- (4) Power Outlets
- (2) USB Ports

5x8

- (2) CAT6 Data Ports
- (3) Power Outlets
- (2) USB Ports

MONOLITHIC PANELS

Monolithic Hard Surface Panel Non-Electrical



DESCRIPTION

Structural panel with laminate surfaces, painted top caps and trim, leveling glides, and cable management side covers.

NOTES

- Order connectors and finished ends separately
- Add an additional 2 weeks to the standard lead time for laminate panels
- For matching worksurface to hardsurface panel, see page 9

SPECIFICATION OPTIONS

product #: see charts below
finish: see page 10
laminate (side 1): see page 9
laminate (side 2): see page 9

ORDER EXAMPLE

product #: FHHSPA.3924N
finish: DT
laminate (side 1): FB2960 Mochatini
laminate (side 2): FB3400 Aria

39" HIGH

| PART # | HEIGHT | WIDTH | DEPTH | WT. (LBS) | LIST |
|--------------|--------|-------|-------|-----------|---------|
| FHHSPA.3924N | 39" | 24" | 2" | 26 | \$774 |
| FHHSPA.3930N | 39" | 30" | 2" | 27 | \$923 |
| FHHSPA.3936N | 39" | 36" | 2" | 31 | \$1,064 |
| FHHSPA.3942N | 39" | 42" | 2" | 36 | \$1,159 |
| FHHSPA.3948N | 39" | 48" | 2" | 39 | \$1,193 |

NOTES

- For matching worksurface to hardsurface panel, see page 9

47" HIGH

| PART # | HEIGHT | WIDTH | DEPTH | WT. (LBS) | LIST |
|--------------|--------|-------|-------|-----------|---------|
| FHHSPA.4724N | 47" | 24" | 2" | 29 | \$821 |
| FHHSPA.4730N | 47" | 30" | 2" | 33 | \$974 |
| FHHSPA.4736N | 47" | 36" | 2" | 38 | \$1,119 |
| FHHSPA.4742N | 47" | 42" | 2" | 41 | \$1,182 |
| FHHSPA.4748N | 47" | 48" | 2" | 47 | \$1,222 |

NOTES

- For matching worksurface to hardsurface panel, see page 9

53" HIGH

| PART # | HEIGHT | WIDTH | DEPTH | WT. (LBS) | LIST |
|--------------|--------|-------|-------|-----------|---------|
| FHHSPA.5324N | 53" | 24" | 2" | 32 | \$837 |
| FHHSPA.5330N | 53" | 30" | 2" | 38 | \$993 |
| FHHSPA.5336N | 53" | 36" | 2" | 41 | \$1,147 |
| FHHSPA.5342N | 53" | 42" | 2" | 44 | \$1,244 |
| FHHSPA.5348N | 53" | 48" | 2" | 51 | \$1,280 |

NOTES

- For matching worksurface to hardsurface panel, see page 9

67" HIGH

| PART # | HEIGHT | WIDTH | DEPTH | WT. (LBS) | LIST |
|--------------|--------|-------|-------|-----------|---------|
| FHHSPA.6724N | 67" | 24" | 2" | 40 | \$1,179 |
| FHHSPA.6730N | 67" | 30" | 2" | 46 | \$1,282 |
| FHHSPA.6736N | 67" | 36" | 2" | 51 | \$1,484 |
| FHHSPA.6742N | 67" | 42" | 2" | 57 | \$1,642 |
| FHHSPA.6748N | 67" | 48" | 2" | 64 | \$1,683 |

NOTES

- For matching worksurface to hardsurface panel, see page 9

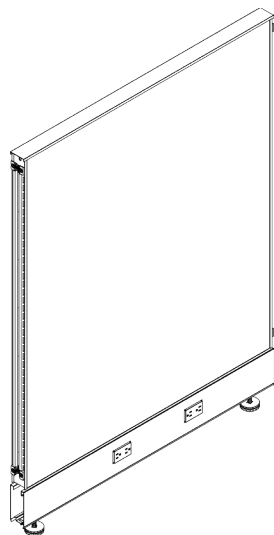
85" HIGH

| PART # | HEIGHT | WIDTH | DEPTH | WT. (LBS) | LIST |
|--------------|--------|-------|-------|-----------|---------|
| FHHSPA.8524N | 85" | 24" | 2" | 50 | \$1,385 |
| FHHSPA.8530N | 85" | 30" | 2" | 58 | \$1,664 |
| FHHSPA.8536N | 85" | 36" | 2" | 65 | \$1,931 |
| FHHSPA.8542N | 85" | 42" | 2" | 73 | \$2,125 |
| FHHSPA.8548N | 85" | 48" | 2" | 81 | \$2,190 |

NOTES

- For matching worksurface to hardsurface panel, see page 9

Monolithic Hard Surface Panel Electrical



DESCRIPTION

Structural panel with laminate surfaces, painted top caps and trim, leveling glides, 4-circuit power installed in cable management raceway covers.

NOTES

- 24" wide panels have one receptacle per side
- 30" to 48" wide panels have two receptacle locations per side
- Order receptacles separately
- Includes panel to panel festoon
- Order panel through post festoon separately
- Order connectors and finished ends separately
- Add an additional 2 weeks to the standard lead time for laminate panels
- For matching worksurface to hardsurface panel, see page 9

SPECIFICATION OPTIONS

product #: see charts below
finish: see page 10
laminate (side 1): see page 9
laminate (side 2): see page 9

ORDER EXAMPLE

product #: FHHSPA.3924E
finish: DT
laminate (side 1): FB2960 Mochatini
laminate (side 2): FB3400 Aria

39" HIGH

| PART # | HEIGHT | WIDTH | DEPTH | WT. (LBS) | LIST |
|--------------|--------|-------|-------|-----------|---------|
| FHHSPA.3924E | 39" | 24" | 2" | 27 | \$931 |
| FHHSPA.3930E | 39" | 30" | 2" | 29 | \$1,107 |
| FHHSPA.3936E | 39" | 36" | 2" | 33 | \$1,268 |
| FHHSPA.3942E | 39" | 42" | 2" | 38 | \$1,389 |
| FHHSPA.3948E | 39" | 48" | 2" | 42 | \$1,448 |

NOTES

- For matching worksurface to hardsurface panel, see page 9

47" HIGH

| PART # | HEIGHT | WIDTH | DEPTH | WT. (LBS) | LIST |
|--------------|--------|-------|-------|-----------|---------|
| FHHSPA.4724E | 47" | 24" | 2" | 30 | \$978 |
| FHHSPA.4730E | 47" | 30" | 2" | 35 | \$1,159 |
| FHHSPA.4736E | 47" | 36" | 2" | 40 | \$1,325 |
| FHHSPA.4742E | 47" | 42" | 2" | 43 | \$1,341 |
| FHHSPA.4748E | 47" | 48" | 2" | 50 | \$1,356 |

NOTES

- For matching worksurface to hardsurface panel, see page 9

53" HIGH

| PART # | HEIGHT | WIDTH | DEPTH | WT. (LBS) | LIST |
|--------------|--------|-------|-------|-----------|---------|
| FHHSPA.5324E | 53" | 24" | 2" | 33 | \$996 |
| FHHSPA.5330E | 53" | 30" | 2" | 40 | \$1,176 |
| FHHSPA.5336E | 53" | 36" | 2" | 43 | \$1,350 |
| FHHSPA.5342E | 53" | 42" | 2" | 47 | \$1,473 |
| FHHSPA.5348E | 53" | 48" | 2" | 53 | \$1,534 |

NOTES

- For matching worksurface to hardsurface panel, see page 9

67" HIGH

| PART # | HEIGHT | WIDTH | DEPTH | WT. (LBS) | LIST |
|--------------|--------|-------|-------|-----------|---------|
| FHHSPA.6724E | 67" | 24" | 2" | 41 | \$1,264 |
| FHHSPA.6730E | 67" | 30" | 2" | 47 | \$1,468 |
| FHHSPA.6736E | 67" | 36" | 2" | 53 | \$1,688 |
| FHHSPA.6742E | 67" | 42" | 2" | 59 | \$1,872 |
| FHHSPA.6748E | 67" | 48" | 2" | 67 | \$1,938 |

NOTES

- For matching worksurface to hardsurface panel, see page 9

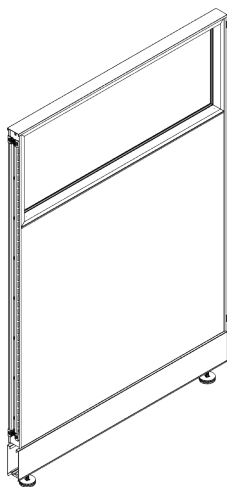
85" HIGH

| PART # | HEIGHT | WIDTH | DEPTH | WT. (LBS) | LIST |
|--------------|--------|-------|-------|-----------|---------|
| FHHSPA.8524E | 85" | 24" | 2" | 50 | \$1,544 |
| FHHSPA.8530E | 85" | 30" | 2" | 59 | \$1,850 |
| FHHSPA.8536E | 85" | 36" | 2" | 67 | \$2,135 |
| FHHSPA.8542E | 85" | 42" | 2" | 75 | \$2,355 |
| FHHSPA.8548E | 85" | 48" | 2" | 84 | \$2,443 |

NOTES

- For matching worksurface to hardsurface panel, see page 9

Monolithic Hard Surface Partial-Glazed Panel Non-Electrical



DESCRIPTION

Structural panel with laminate lower surfaces and 14" high tempered glass top section, painted top caps and trim, leveling glides, and cable management side covers.

NOTES

- Order connectors and finished ends separately
- Add an additional 2 weeks to the standard lead time for laminate panels
- Cannot be used as dry erase surface
- For matching worksurface to hardsurface panel, see page 9

SPECIFICATION OPTIONS

product #: see charts below
finish: see page 10
panel glazing: TR Clear, FR Frosted
laminate (side 1): see page 9
laminate (side 2): see page 9

ORDER EXAMPLE

product #: FHPGHSPA.5324N
finish: DT
panel glazing: TR Clear
laminate (side 1): FB2960 Mochatini
laminate (side 2): FB3400 Aria

53" HIGH

| PART # | HEIGHT | WIDTH | DEPTH | WT. (LBS) | LIST |
|----------------|--------|-------|-------|-----------|---------|
| FHPGHSPA.5324N | 53" | 24" | 2" | 32 | \$1,182 |
| FHPGHSPA.5330N | 53" | 30" | 2" | 38 | \$1,338 |
| FHPGHSPA.5336N | 53" | 36" | 2" | 41 | \$1,492 |
| FHPGHSPA.5342N | 53" | 42" | 2" | 44 | \$1,589 |
| FHPGHSPA.5348N | 53" | 48" | 2" | 51 | \$1,625 |

NOTES

- For matching worksurface to hardsurface panel, see page 9

67" HIGH

| PART # | HEIGHT | WIDTH | DEPTH | WT. (LBS) | LIST |
|----------------|--------|-------|-------|-----------|---------|
| FHPGHSPA.6724N | 67" | 24" | 2" | 40 | \$1,451 |
| FHPGHSPA.6730N | 67" | 30" | 2" | 46 | \$1,628 |
| FHPGHSPA.6736N | 67" | 36" | 2" | 51 | \$1,829 |
| FHPGHSPA.6742N | 67" | 42" | 2" | 57 | \$1,988 |
| FHPGHSPA.6748N | 67" | 48" | 2" | 64 | \$2,029 |

NOTES

- For matching worksurface to hardsurface panel, see page 9

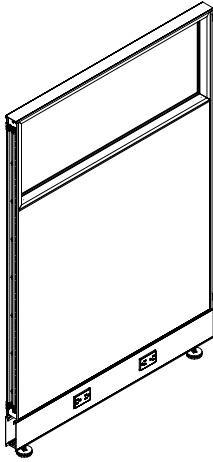
85" HIGH

| PART # | HEIGHT | WIDTH | DEPTH | WT. (LBS) | LIST |
|----------------|--------|-------|-------|-----------|---------|
| FHPGHSPA.8524N | 85" | 24" | 2" | 50 | \$1,730 |
| FHPGHSPA.8530N | 85" | 30" | 2" | 58 | \$2,009 |
| FHPGHSPA.8536N | 85" | 36" | 2" | 65 | \$2,276 |
| FHPGHSPA.8542N | 85" | 42" | 2" | 73 | \$2,471 |
| FHPGHSPA.8548N | 85" | 48" | 2" | 81 | \$2,536 |

NOTES

- For matching worksurface to hardsurface panel, see page 9

Monolithic Hard Surface Partial-Glazed Panel Electrical



DESCRIPTION

Structural panel with laminate lower surfaces and 14" high tempered glass top section, painted top caps and trim, leveling glides, 4-circuit power installed in cable management raceway covers.

NOTES

- 24" wide panels have one receptacle per side
- 30" to 48" wide panels have two receptacle locations per side
- Order receptacles separately
- Includes panel to panel festoon
- Order panel through post festoon separately
- Order connectors and finished ends separately
- Add an additional 2 weeks to the standard lead time for laminate panels
- Cannot be used as dry erase surface
- For matching worksurface to hardsurface panel, see page 9

SPECIFICATION OPTIONS

product #: see charts below
finish: see page 10
panel glazing: TR Clear, FR Frosted (XLT option)
laminate (side 1): see page 9
laminate (side 2): see page 9

ORDER EXAMPLE

product #: FHPGHSPA.3924E
finish: DT
panel glazing: FR Frosted
laminate (side 1): FB2960 Mochatini
laminate (side 2): FB3400 Aria

53" HIGH

| PART # | HEIGHT | WIDTH | DEPTH | WT. (LBS) | LIST |
|----------------|--------|-------|-------|-----------|---------|
| FHPGHSPA.5324E | 53" | 24" | 2" | 33 | \$1,342 |
| FHPGHSPA.5330E | 53" | 30" | 2" | 40 | \$1,521 |
| FHPGHSPA.5336E | 53" | 36" | 2" | 43 | \$1,695 |
| FHPGHSPA.5342E | 53" | 42" | 2" | 47 | \$1,818 |
| FHPGHSPA.5348E | 53" | 48" | 2" | 53 | \$1,879 |

NOTES

- For matching worksurface to hardsurface panel, see page 9

67" HIGH

| PART # | HEIGHT | WIDTH | DEPTH | WT. (LBS) | LIST |
|----------------|--------|-------|-------|-----------|---------|
| FHPGHSPA.6724E | 67" | 24" | 2" | 41 | \$1,610 |
| FHPGHSPA.6730E | 67" | 30" | 2" | 47 | \$1,814 |
| FHPGHSPA.6736E | 67" | 36" | 2" | 53 | \$2,033 |
| FHPGHSPA.6742E | 67" | 42" | 2" | 59 | \$2,217 |
| FHPGHSPA.6748E | 67" | 48" | 2" | 67 | \$2,283 |

NOTES

- For matching worksurface to hardsurface panel, see page 9

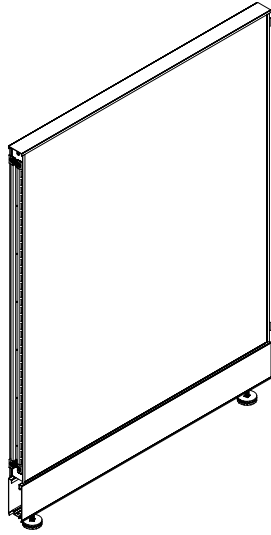
85" HIGH

| PART # | HEIGHT | WIDTH | DEPTH | WT. (LBS) | LIST |
|----------------|--------|-------|-------|-----------|---------|
| FHPGHSPA.8524E | 85" | 24" | 2" | 50 | \$1,890 |
| FHPGHSPA.8530E | 85" | 30" | 2" | 59 | \$2,195 |
| FHPGHSPA.8536E | 85" | 36" | 2" | 67 | \$2,480 |
| FHPGHSPA.8542E | 85" | 42" | 2" | 75 | \$2,700 |
| FHPGHSPA.8548E | 85" | 48" | 2" | 84 | \$2,788 |

NOTES

- For matching worksurface to hardsurface panel, see page 9

Monolithic Fabric-Covered Panel Non-Electrical



DESCRIPTION

Structural panel with fabric surfaces, painted top caps and trim, leveling glides, and cable management side covers.

NOTES

- Order connectors and finished ends separately
- Standard fabric application for panels 67" and below is Non-Directional application.
- Panels taller than 67" are only available in Directional application.
- When ordering panels 67" and below to match a panel taller than 67", specify Group 5 for Directional application.
- See page 8 for more details.

SPECIFICATION OPTIONS

product #: see charts below
finish: see page 10
fabric (side 1): see page 6
fabric (side 2): see page 6

ORDER EXAMPLE

product #: FHFAPA.3924N
finish: DT
fabric (side 1): Silky/Natural PF401-1
fabric (side 2): Silky/Natural PF401-1

39" HIGH

| PART # | HEIGHT | WIDTH | DEPTH | WT. (LBS) | LIST | GROUP 5 UPCHARGE |
|--------------|--------|-------|-------|-----------|-------|------------------|
| FHFAPA.3924N | 39" | 24" | 2" | 26 | \$413 | \$42 |
| FHFAPA.3930N | 39" | 30" | 2" | 27 | \$449 | \$46 |
| FHFAPA.3936N | 39" | 36" | 2" | 31 | \$504 | \$50 |
| FHFAPA.3942N | 39" | 42" | 2" | 36 | \$529 | \$54 |
| FHFAPA.3948N | 39" | 48" | 2" | 39 | \$553 | \$56 |

47" HIGH

| PART # | HEIGHT | WIDTH | DEPTH | WT. (LBS) | LIST | GROUP 5 UPCHARGE |
|--------------|--------|-------|-------|-----------|-------|------------------|
| FHFAPA.4724N | 47" | 24" | 2" | 29 | \$435 | \$44 |
| FHFAPA.4730N | 47" | 30" | 2" | 33 | \$483 | \$48 |
| FHFAPA.4736N | 47" | 36" | 2" | 38 | \$548 | \$56 |
| FHFAPA.4742N | 47" | 42" | 2" | 41 | \$603 | \$60 |
| FHFAPA.4748N | 47" | 48" | 2" | 47 | \$621 | \$62 |

53" HIGH

| PART # | HEIGHT | WIDTH | DEPTH | WT. (LBS) | LIST | GROUP 5 UPCHARGE |
|--------------|--------|-------|-------|-----------|-------|------------------|
| FHFAPA.5324N | 53" | 24" | 2" | 32 | \$444 | \$44 |
| FHFAPA.5330N | 53" | 30" | 2" | 38 | \$500 | \$50 |
| FHFAPA.5336N | 53" | 36" | 2" | 41 | \$580 | \$58 |
| FHFAPA.5342N | 53" | 42" | 2" | 44 | \$623 | \$62 |
| FHFAPA.5348N | 53" | 48" | 2" | 51 | \$662 | \$66 |

67" HIGH

| PART # | HEIGHT | WIDTH | DEPTH | WT. (LBS) | LIST | GROUP 5 UPCHARGE |
|--------------|--------|-------|-------|-----------|-------|------------------|
| FHFAPA.6724N | 67" | 24" | 2" | 40 | \$511 | \$52 |
| FHFAPA.6730N | 67" | 30" | 2" | 46 | \$570 | \$58 |
| FHFAPA.6736N | 67" | 36" | 2" | 51 | \$654 | \$66 |
| FHFAPA.6742N | 67" | 42" | 2" | 57 | \$696 | \$70 |
| FHFAPA.6748N | 67" | 48" | 2" | 64 | \$739 | \$74 |

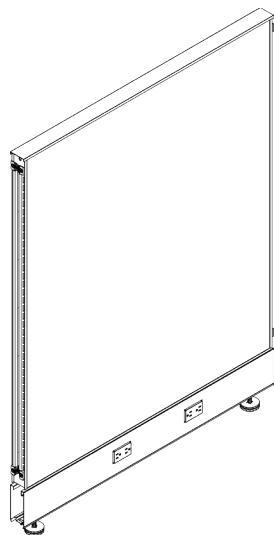
85" HIGH

| PART # | HEIGHT | WIDTH | DEPTH | WT. (LBS) | LIST |
|--------------|--------|-------|-------|-----------|-------|
| FHFAPA.8524N | 85" | 24" | 2" | 50 | \$598 |
| FHFAPA.8530N | 85" | 30" | 2" | 58 | \$661 |
| FHFAPA.8536N | 85" | 36" | 2" | 65 | \$760 |
| FHFAPA.8542N | 85" | 42" | 2" | 73 | \$805 |
| FHFAPA.8548N | 85" | 48" | 2" | 81 | \$854 |

NOTES

- Standard fabric application for panels 67" and below is Non-Directional application.
- Panels taller than 67" are only available in Directional application.
- When ordering panels 67" and below to match a panel taller than 67", specify Group 5 for Directional application.
- See page 8 for more details.

Monolithic Fabric-Covered Panel Electrical



DESCRIPTION

Structural panel with fabric surfaces, painted top caps and trim, leveling glides, 4-circuit power installed in cable management raceway covers.

NOTES

- 24" wide panels have one receptacle per side
- 30" to 48" wide panels have two receptacle locations per side
- Order receptacles separately
- Includes panel to panel festoon
- Order panel through post festoon separately
- Order connectors and finished ends separately
- Standard fabric application for panels 67" and below is Non-Directional application.
- Panels taller than 67" are only available in Directional application.
- When ordering panels 67" and below to match a panel taller than 67", specify Group 5 for Directional application.
- See page 8 for more details.

SPECIFICATION OPTIONS

product #: see charts below
finish: see page 10
fabric (side 1): see page 6
fabric (side 2): see page 6

ORDER EXAMPLE

product #: FHFAPA.3924E
finish: DT
fabric (side 1): Silky/Natural PF401-1
fabric (side 2): Silky/Natural PF401-1

39" HIGH

| PART # | HEIGHT | WIDTH | DEPTH | WT. (LBS) | LIST | GROUP 5 UPCHARGE |
|--------------|--------|-------|-------|-----------|-------|------------------|
| FHFAPA.3924E | 39" | 24" | 2" | 27 | \$566 | \$58 |
| FHFAPA.3930E | 39" | 30" | 2" | 29 | \$601 | \$60 |
| FHFAPA.3936E | 39" | 36" | 2" | 33 | \$656 | \$66 |
| FHFAPA.3942E | 39" | 42" | 2" | 38 | \$682 | \$68 |
| FHFAPA.3948E | 39" | 48" | 2" | 42 | \$706 | \$72 |

47" HIGH

| PART # | HEIGHT | WIDTH | DEPTH | WT. (LBS) | LIST | GROUP 5 UPCHARGE |
|--------------|--------|-------|-------|-----------|-------|------------------|
| FHFAPA.4724E | 47" | 24" | 2" | 30 | \$589 | \$60 |
| FHFAPA.4730E | 47" | 30" | 2" | 35 | \$636 | \$64 |
| FHFAPA.4736E | 47" | 36" | 2" | 40 | \$700 | \$70 |
| FHFAPA.4742E | 47" | 42" | 2" | 43 | \$757 | \$76 |
| FHFAPA.4748E | 47" | 48" | 2" | 50 | \$774 | \$78 |

53" HIGH

| PART # | HEIGHT | WIDTH | DEPTH | WT. (LBS) | LIST | GROUP 5 UPCHARGE |
|--------------|--------|-------|-------|-----------|-------|------------------|
| FHFAPA.5324E | 53" | 24" | 2" | 33 | \$597 | \$60 |
| FHFAPA.5330E | 53" | 30" | 2" | 40 | \$653 | \$66 |
| FHFAPA.5336E | 53" | 36" | 2" | 43 | \$733 | \$74 |
| FHFAPA.5342E | 53" | 42" | 2" | 47 | \$776 | \$78 |
| FHFAPA.5348E | 53" | 48" | 2" | 53 | \$816 | \$82 |

67" HIGH

| PART # | HEIGHT | WIDTH | DEPTH | WT. (LBS) | LIST | GROUP 5 UPCHARGE |
|--------------|--------|-------|-------|-----------|-------|---------------------|
| FHFAPA.6724E | 67" | 24" | 2" | 41 | \$664 | \$66 |
| FHFAPA.6730E | 67" | 30" | 2" | 47 | \$723 | \$72 |
| FHFAPA.6736E | 67" | 36" | 2" | 53 | \$808 | \$82 |
| FHFAPA.6742E | 67" | 42" | 2" | 59 | \$849 | \$86 |
| FHFAPA.6748E | 67" | 48" | 2" | 67 | \$892 | \$90 |

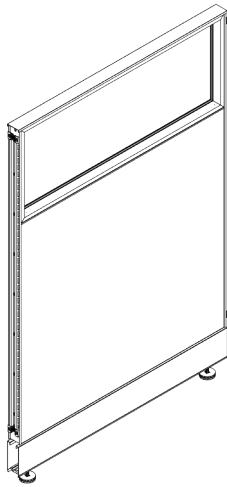
85" HIGH

| PART # | HEIGHT | WIDTH | DEPTH | WT. (LBS) | LIST |
|--------------|--------|-------|-------|-----------|---------|
| FHFAPA.8524E | 85" | 24" | 2" | 50 | \$752 |
| FHFAPA.8530E | 85" | 30" | 2" | 59 | \$815 |
| FHFAPA.8536E | 85" | 36" | 2" | 67 | \$912 |
| FHFAPA.8542E | 85" | 42" | 2" | 75 | \$958 |
| FHFAPA.8548E | 85" | 48" | 2" | 84 | \$1,007 |

NOTES

- Standard fabric application for panels 67" and below is Non-Directional application.
- Panels taller than 67" are only available in Directional application.
- When ordering panels 67" and below to match a panel taller than 67", specify Group 5 for Directional application.
- See page for more details.

Monolithic Partial Glazed Panel Non-Electrical



DESCRIPTION

Structural panel with fabric covered lower surfaces and 14" high tempered glass top section, painted top cap and cable management side covers.

NOTES

- Order connectors and finished ends separately.
- Cannot be used as dry erase surface.
- Standard fabric application for panels 67" and below is Non-Directional application.
- Panels taller than 67" are only available in Directional application.
- When ordering panels 67" and below to match a panel taller than 67", specify Group 5 for Directional application.
- See page 8 for more details.

SPECIFICATION OPTIONS

product #: see charts below

finish: see page 10

panel glazing: TR Clear, FR Frosted (XLT option)

fabric (side 1): see page 6

fabric (side 2): see page 6

ORDER EXAMPLE

product #: FHPGPA.5324N

finish: DT

panel glazing: TR Clear

fabric (side 1): Silky/Natural PF401-1

fabric (side 2): Silky/Natural PF401-1

53" HIGH

| PART # | HEIGHT | WIDTH | DEPTH | WT. (LBS) | LIST | GROUP 5 UPCHARGE |
|--------------|--------|-------|-------|-----------|-------|------------------|
| FHPGPA.5324N | 53" | 24" | 2" | 37 | \$662 | \$66 |
| FHPGPA.5330N | 53" | 30" | 2" | 41 | \$718 | \$72 |
| FHPGPA.5336N | 53" | 36" | 2" | 47 | \$861 | \$86 |
| FHPGPA.5342N | 53" | 42" | 2" | 54 | \$904 | \$90 |
| FHPGPA.5348N | 53" | 48" | 2" | 61 | \$987 | \$100 |

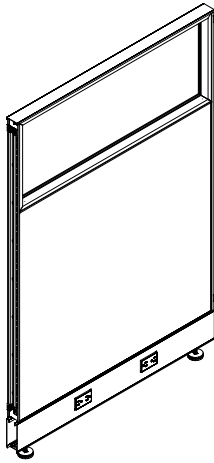
67" HIGH

| PART # | HEIGHT | WIDTH | DEPTH | WT. (LBS) | LIST | GROUP 5 UPCHARGE |
|--------------|--------|-------|-------|-----------|---------|------------------|
| FHPGPA.6724N | 67" | 24" | 2" | 42 | \$728 | \$74 |
| FHPGPA.6730N | 67" | 30" | 2" | 50 | \$787 | \$80 |
| FHPGPA.6736N | 67" | 36" | 2" | 56 | \$935 | \$94 |
| FHPGPA.6742N | 67" | 42" | 2" | 62 | \$976 | \$98 |
| FHPGPA.6748N | 67" | 48" | 2" | 71 | \$1,064 | \$106 |

85" HIGH

| PART # | HEIGHT | WIDTH | DEPTH | WT. (LBS) | LIST | NOTES |
|--------------|--------|-------|-------|-----------|---------|--|
| FHPGPA.8524N | 85" | 24" | 2" | 49 | \$816 | <ul style="list-style-type: none"> • Standard fabric application for panels 67" and below is Non-Directional application. • Panels taller than 67" are only available in Directional application. • When ordering panels 67" and below to match a panel taller than 67", specify Group 5 for Directional application. • See page 8 for more details. |
| FHPGPA.8530N | 85" | 30" | 2" | 57 | \$879 | |
| FHPGPA.8536N | 85" | 36" | 2" | 65 | \$1,040 | |
| FHPGPA.8542N | 85" | 42" | 2" | 73 | \$1,086 | |
| FHPGPA.8548N | 85" | 48" | 2" | 83 | \$1,177 | |

Monolithic Partial Glazed Panel Electrical



DESCRIPTION

Structural panel with fabric covered lower surfaces and 14" high tempered glass top section, painted top cap and leveling glides, 4-circuit power installed in cable management raceway covers.

NOTES

- 24" wide panels have one receptacle per side.
- 30" to 48" wide panels have two receptacle locations per side.
- Includes panel to panel festoon.
- Order connectors and finished ends separately.
- Order panel through post festoon separately.
- Cannot be used as dry erase surface
- Standard fabric application for panels 67" and below is Non-Directional application.
- Panels taller than 67" are only available in Directional application.
- When ordering panels 67" and below to match a panel taller than 67", specify Group 5 for Directional application.
- See page 8 for more details.

SPECIFICATION OPTIONS

product #: see charts below
finish: see page 10
panel glazing: TR Clear, FR Frosted (XLT option)
fabric (side 1): see page 9
fabric (side 2): see page 9

ORDER EXAMPLE

product #: FHPGPA.5324E
finish: DT
panel glazing: TR Clear
fabric (side 1): Silky/Natural PF401-1
fabric (side 2): Silky/Natural PF401-1

53" HIGH

| PART # | HEIGHT | WIDTH | DEPTH | WT. (LBS) | LIST | GROUP 5 UPCHARGE |
|--------------|--------|-------|-------|-----------|---------|------------------|
| FHPGPA.5324E | 53" | 24" | 2" | 38 | \$816 | \$82 |
| FHPGPA.5330E | 53" | 30" | 2" | 42 | \$871 | \$88 |
| FHPGPA.5336E | 53" | 36" | 2" | 49 | \$1,013 | \$102 |
| FHPGPA.5342E | 53" | 42" | 2" | 56 | \$1,057 | \$106 |
| FHPGPA.5348E | 53" | 48" | 2" | 63 | \$1,139 | \$114 |

67" HIGH

| PART # | HEIGHT | WIDTH | DEPTH | WT. (LBS) | LIST | GROUP 5 UPCHARGE |
|--------------|--------|-------|-------|-----------|---------|------------------|
| FHPGPA.6724E | 67" | 24" | 2" | 43 | \$883 | \$88 |
| FHPGPA.6730E | 67" | 30" | 2" | 52 | \$942 | \$94 |
| FHPGPA.6736E | 67" | 36" | 2" | 57 | \$1,088 | \$110 |
| FHPGPA.6742E | 67" | 42" | 2" | 64 | \$1,129 | \$114 |
| FHPGPA.6748E | 67" | 48" | 2" | 74 | \$1,217 | \$122 |

85" HIGH

| PART # | HEIGHT | WIDTH | DEPTH | WT. (LBS) | LIST | NOTES |
|--------------|--------|-------|-------|-----------|---------|--|
| FHPGPA.8524E | 85" | 24" | 2" | 50 | \$970 | <ul style="list-style-type: none"> • Standard fabric application for panels 67" and below is Non-Directional application. • Panels taller than 67" are only available in Directional application. • When ordering panels 67" and below to match a panel taller than 67", specify Group 5 for Directional application. • See page 8 for more details. |
| FHPGPA.8530E | 85" | 30" | 2" | 58 | \$1,032 | |
| FHPGPA.8536E | 85" | 36" | 2" | 67 | \$1,193 | |
| FHPGPA.8542E | 85" | 42" | 2" | 75 | \$1,239 | |
| FHPGPA.8548E | 85" | 48" | 2" | 85 | \$1,331 | |

SEGMENTED PANELS

Specification Guide: Design 1 & 2 Segmented Panel Kit

Both Design 1 and Design 2 panels require a **segmented panel kit**, the structure on which segments are added. Available electrical or non-electrical in these heights: 39", 47", 53", 67" and 85".

NON-ELECTRICAL

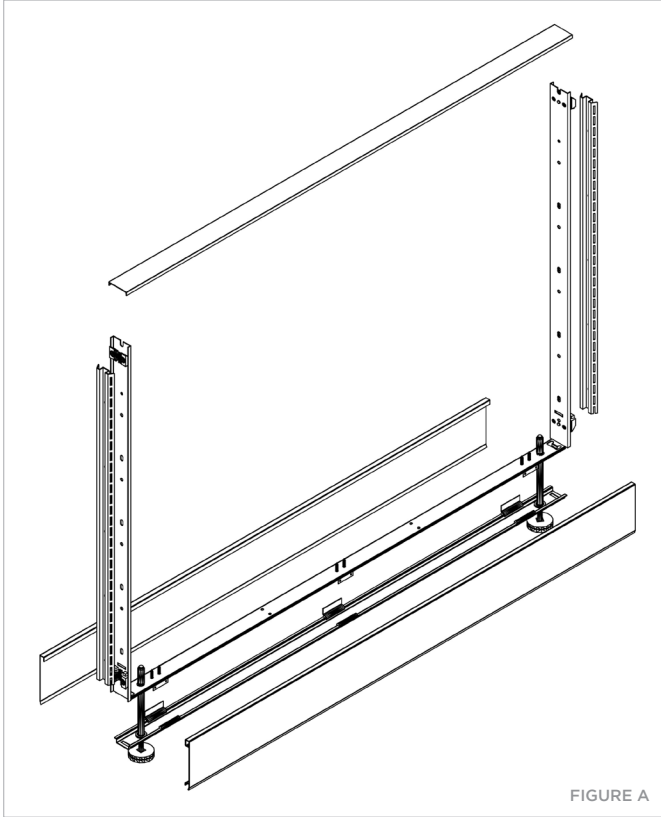


FIGURE A

NON-ELECTRICAL KIT INCLUDES

- Top cap
- Base kit
- Base covers
- Side rails
- Hanger rails

ELECTRICAL

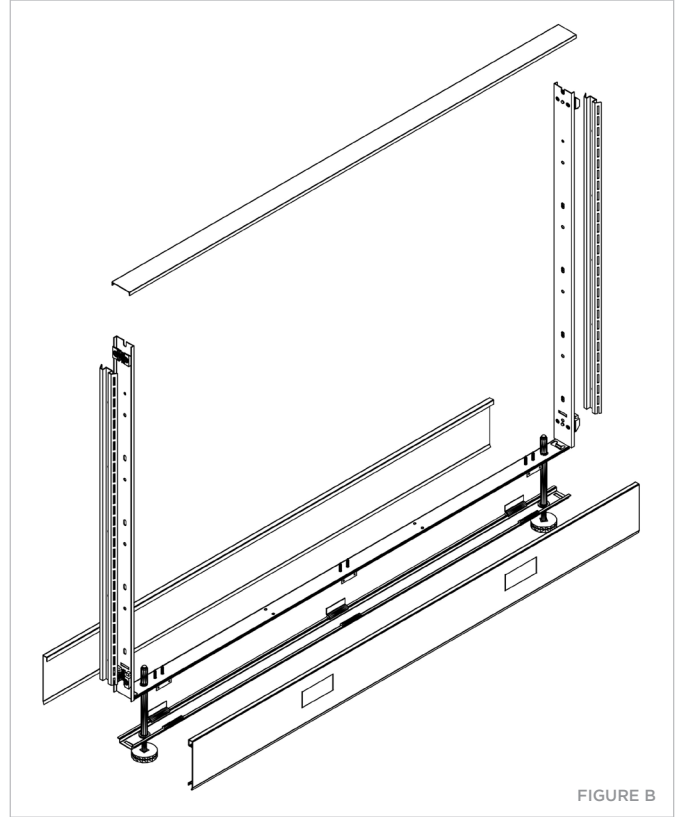


FIGURE B

ELECTRICAL KIT INCLUDES

- Top cap
- Base kit
- Base covers
- Side rails
- Hanger rails
- Power retro
- Panel-to-panel festoon

NOTES

- Panel through post festoon and 90° angle festoon must be ordered separately.
- 24" wide panel kits have one duplex cutout per side.
- 30" to 48" panel kits have two duplex cutouts per side.

Specification Guide: Design 1 & 2 Segments

Both Design 1 and Design 2 panels require a **base segment**, at the bottom of the panel kit, and **additional segments** to complete the panel. All segments finish both sides of the panel.

BASE SEGMENTS

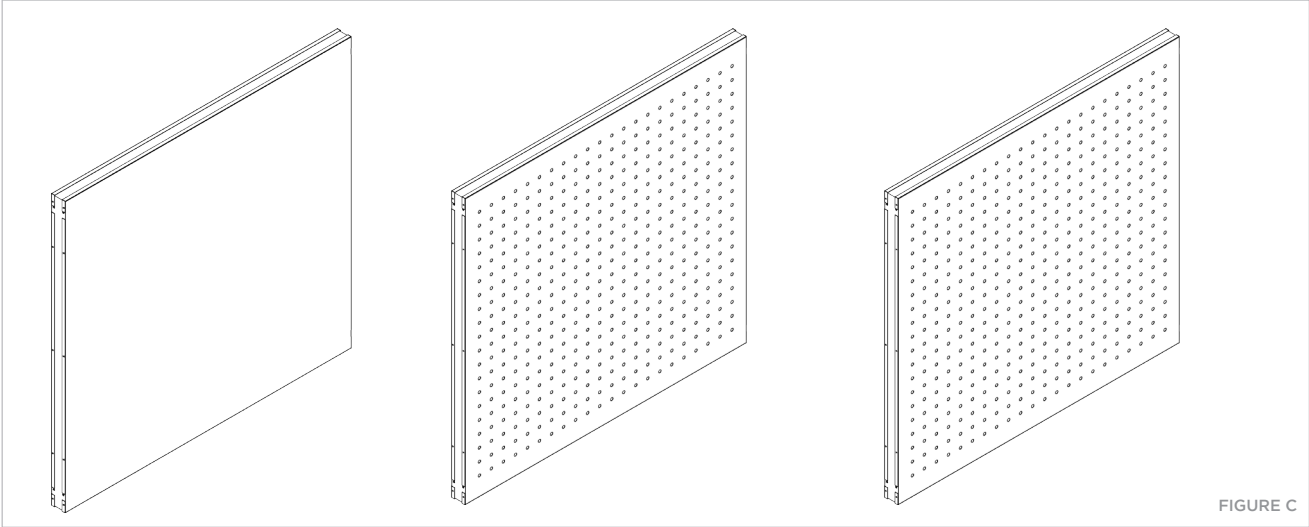


FIGURE C

Fabric/Fabric

Fabric on both sides.
Available for Design 1 or 2.

Perforated Metal/Fabric

Painted perforated metal on one side and fabric on other side.
Available for Design 1 only.

Perforated Metal/Perforated Metal

Painted perforated metal on both sides.
Available for Design 1 only.

ADDITIONAL SEGMENTS

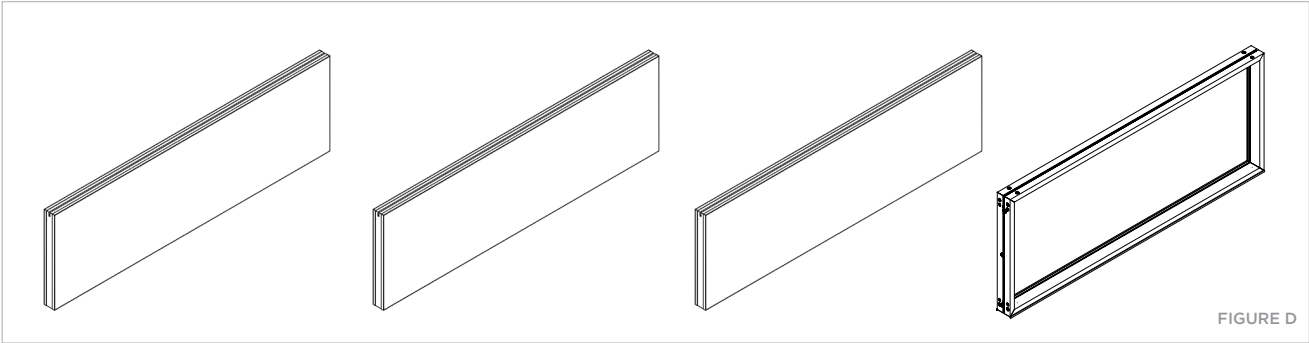


FIGURE D

Fabric/Fabric

Fabric on both sides.
Available for Design 1 or 2.

Markerboard/Fabric

Markerboard on one side, and fabric on other side.
Available for Design 1 or 2.

Markerboard/Markerboard

Markerboard both sides.
Available for Design 1 or 2.

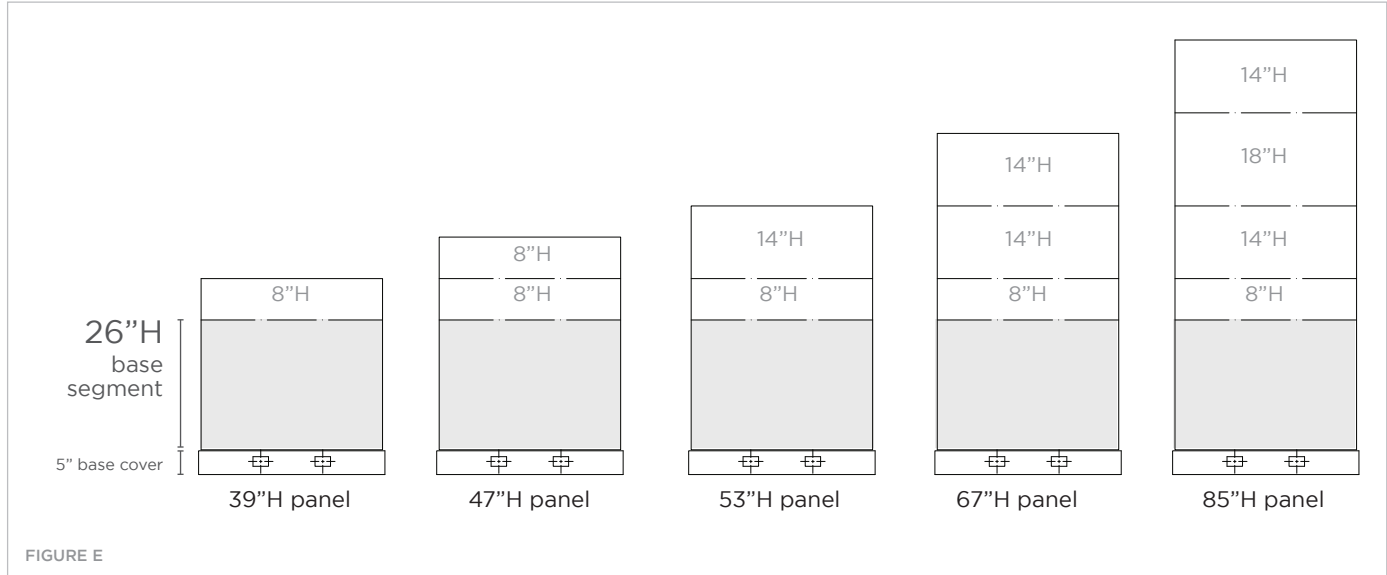
Glazed

Glass both sides, available clear or frosted.
Available for Design 1 or 2.

Specification Guide: Design 1 Segmented Panels

Design 1 panels have **26”H base segments**, allowing for an additional segment per panel compared to Design 2.

DESIGN 1 ELEVATIONS



DESIGN 1 BASE SEGMENT FINISH OPTIONS

Base segments for Design 1 panels are 26”H fabric/fabric, perforated metal/fabric or perforated metal/perforated metal.

26” high base segments

fabric/fabric

perforated metal/fabric

perforated metal/perforated metal

DESIGN 1 ADDITIONAL SEGMENTS

Please refer to the diagram above (Figure E) for segment size combinations per panel height. Additional segments are available in the finishes and sizes below:

| 8” high | 14” high | 18” high |
|---------------|-------------------------|---------------|
| fabric/fabric | fabric/fabric | fabric/fabric |
| | markerboard/fabric | |
| | markerboard/markerboard | |
| | glazed | |

HOW TO SPECIFY A DESIGN 1 PANEL

- Order a Design 1 Segmented Panel Kit.** Choose an electrical or non-electrical kit, then choose the panel size.

Note: All segments finish both sides of the panel. Specify the finish for each side.

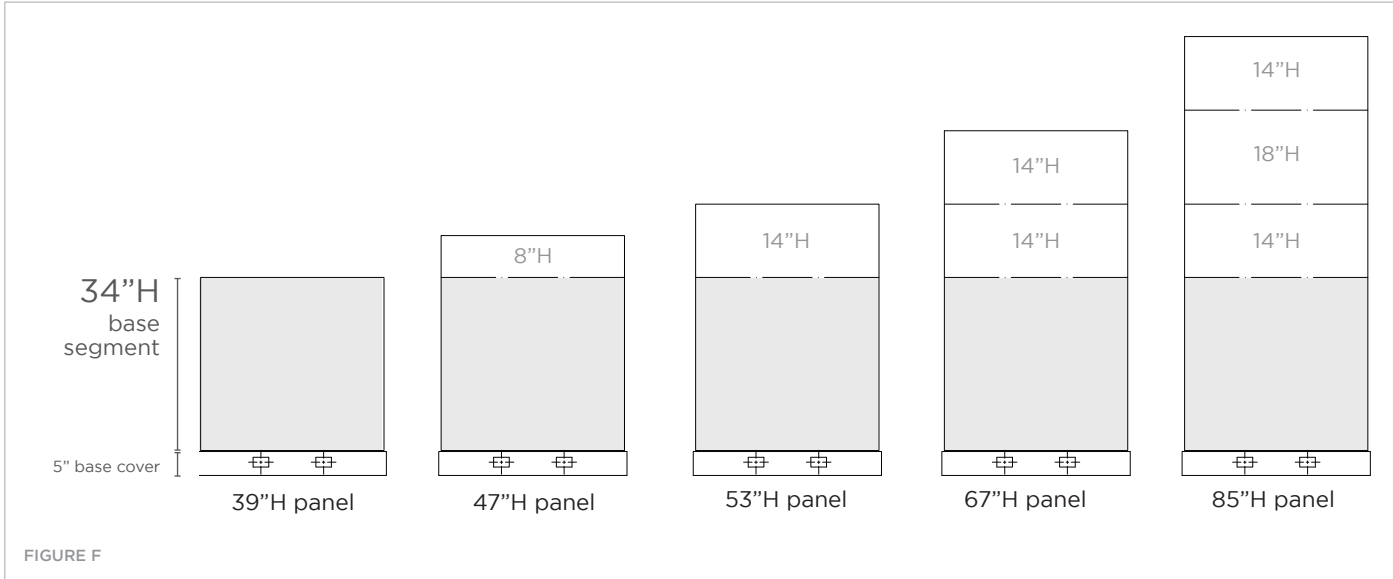
- Order a Design 1 Base Segment.** Choose fabric/fabric, perforated metal/fabric, or perforated metal/perforated metal.

- Order additional segments.** Choose segments to complete the panel at the correct size per the diagram above (Figure E).

Specification Guide: Design 2 Segmented Panels

Design 2 panels have **34”H base segments**, with one less additional segment per panel compared to Design 1.

DESIGN 2 ELEVATIONS



DESIGN 2 BASE SEGMENT FINISH OPTION

Base segments for Design 2 panels are 34”H fabric covered.

34” high base segments
fabric/fabric

DESIGN 2 ADDITIONAL SEGMENTS

Please refer to the diagram above (Figure F) for segment size combinations per panel height. Additional segments are available in the finishes and sizes below:

| 8” high | 14” high | 18” high |
|---------------|-------------------------|---------------|
| fabric/fabric | fabric/fabric | fabric/fabric |
| | markerboard/fabric | |
| | markerboard/markerboard | |
| | glazed | |

HOW TO SPECIFY A DESIGN 2 PANEL

- Order a Design 2 Segmented Panel Kit.**
Choose an electrical or non-electrical kit, then choose the panel size.

Note: All segments finish both sides of the panel. Specify the finish for each side.
- Order a Design 2 Base Segment.**
All Design 2 base segments are fabric/fabric.
- Order additional segments.**
Choose segments to complete the panel at the correct size per the diagram above (Figure F).

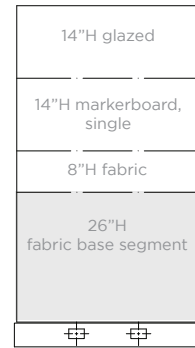
Design 1 Segmented Panel

How to Order & Specify

- Select a panel kit size.** Electrical or Non-Electrical, both with metal base cover.
- Select a base segment.** Add price of one base segment to panel kit price.
- Select additional segments.** Complete the panel with segments (reference diagram on page 10). Add prices to the total.
NOTE: All segments finish both sides of the panel. Specify the finish for each side.
- Calculate total.** Add prices of all selections for total cost of panel.
- Specify finishes.** Select fabrics and finishes as appropriate; reference opposite page.

Order Example

- Select a panel kit size.**
67"H x 24"W non-electrical panel kit for \$184.
- Select a base segment.**
26"H fabric covered base segment for \$100.
- Select additional segments.**
8"H fabric/fabric segment for \$62
14"H markerboard/fabric segment for \$175
14"H glazed segment for \$274
- Calculate total.**
panel kit (\$213 kit)
+ \$100 base segment
+ additional segments (\$62 + \$175 + \$274)
= \$824 total
- Specify finishes.**
base segment: side 1 PF601-1, side 2 PF601-1
8"H fabric/fabric: side 1 PF601-5, side 2 PF601-6
14"H markerboard/fabric: side 1 markerboard, side 2 PF601-1
14"H glazed: side 1 TR clear, side 2 TR clear



67"H x 24"W non-electrical panel kit with metal base cover

NON-ELECTRICAL

| (1) PANEL KIT Specify size of panel frame | | | | (2) BASE SEGMENT Specify one base segment | | | (3) ADDITIONAL SEGMENT Specify as many segments as needed to complete panel | | | | | |
|--|-------|---------------|-------|--|----------------------------|-------------------------------|--|-----------------------|-----------------------|---------------------|-------------|----------------------|
| HEIGHT | WIDTH | MODEL # | LIST | * 26"H FABRIC, FABRIC | * 26"H PERF. METAL, FABRIC | 26"H PERF. METAL, PERF. METAL | * 8"H FABRIC, FABRIC | * 14"H FABRIC, FABRIC | * 14"H MARKER, FABRIC | 14"H MARKER, MARKER | 14"H GLAZED | *18"H FABRIC, FABRIC |
| 39" | 24" | FHPK.3924N-D1 | \$208 | + \$100 | + \$133 | + \$168 | + \$62 | X | X | X | X | X |
| | 30" | FHPK.3930N-D1 | \$226 | + \$119 | + \$161 | + \$206 | + \$71 | X | X | X | X | X |
| | 36" | FHPK.3936N-D1 | \$240 | + \$161 | + \$181 | + \$245 | + \$73 | X | X | X | X | X |
| | 42" | FHPK.3942N-D1 | \$261 | + \$178 | + \$209 | + \$281 | + \$81 | X | X | X | X | X |
| | 48" | FHPK.3948N-D1 | \$277 | + \$178 | + \$242 | + \$317 | + \$93 | X | X | X | X | X |
| 47" | 24" | FHPK.4724N-D1 | \$221 | + \$100 | + \$133 | + \$168 | + \$62 | X | X | X | X | X |
| | 30" | FHPK.4730N-D1 | \$239 | + \$119 | + \$161 | + \$206 | + \$71 | X | X | X | X | X |
| | 36" | FHPK.4736N-D1 | \$255 | + \$161 | + \$181 | + \$245 | + \$73 | X | X | X | X | X |
| | 42" | FHPK.4742N-D1 | \$274 | + \$178 | + \$209 | + \$281 | + \$81 | X | X | X | X | X |
| | 48" | FHPK.4748N-D1 | \$290 | + \$178 | + \$242 | + \$317 | + \$93 | X | X | X | X | X |
| 53" | 24" | FHPK.5324N-D1 | \$233 | + \$100 | + \$133 | + \$168 | + \$62 | + \$75 | + \$175 | + \$153 | + \$274 | X |
| | 30" | FHPK.5330N-D1 | \$252 | + \$119 | + \$161 | + \$206 | + \$71 | + \$81 | + \$202 | + \$176 | + \$322 | X |
| | 36" | FHPK.5336N-D1 | \$267 | + \$161 | + \$181 | + \$245 | + \$73 | + \$92 | + \$240 | + \$210 | + \$371 | X |
| | 42" | FHPK.5342N-D1 | \$287 | + \$178 | + \$209 | + \$281 | + \$81 | + \$106 | + \$253 | + \$219 | + \$420 | X |
| | 48" | FHPK.5348N-D1 | \$302 | + \$178 | + \$242 | + \$317 | + \$93 | + \$117 | + \$284 | + \$246 | + \$468 | X |
| 67" | 24" | FHPK.6724N-D1 | \$257 | + \$100 | + \$133 | + \$168 | + \$62 | + \$75 | + \$175 | + \$153 | + \$274 | X |
| | 30" | FHPK.6730N-D1 | \$275 | + \$119 | + \$161 | + \$206 | + \$71 | + \$81 | + \$202 | + \$176 | + \$322 | X |
| | 36" | FHPK.6736N-D1 | \$290 | + \$161 | + \$181 | + \$245 | + \$73 | + \$92 | + \$240 | + \$210 | + \$371 | X |
| | 42" | FHPK.6742N-D1 | \$310 | + \$178 | + \$209 | + \$281 | + \$81 | + \$106 | + \$253 | + \$219 | + \$420 | X |
| | 48" | FHPK.6748N-D1 | \$326 | + \$178 | + \$242 | + \$317 | + \$93 | + \$117 | + \$284 | + \$246 | + \$468 | X |
| 85" | 24" | FHPK.8524N-D1 | \$291 | + \$100 | + \$133 | + \$168 | + \$62 | + \$75 | + \$175 | + \$153 | + \$274 | + \$83 |
| | 30" | FHPK.8530N-D1 | \$310 | + \$119 | + \$161 | + \$206 | + \$71 | + \$81 | + \$202 | + \$176 | + \$322 | + \$91 |
| | 36" | FHPK.8536N-D1 | \$325 | + \$161 | + \$181 | + \$245 | + \$73 | + \$92 | + \$240 | + \$210 | + \$371 | + \$127 |
| | 42" | FHPK.8542N-D1 | \$345 | + \$178 | + \$209 | + \$281 | + \$81 | + \$106 | + \$253 | + \$219 | + \$420 | + \$136 |
| | 48" | FHPK.8548N-D1 | \$360 | + \$178 | + \$242 | + \$317 | + \$93 | + \$117 | + \$284 | + \$246 | + \$468 | + \$141 |



* For Group 5 pricing see next page

Design 1 Segmented Panel

NON-ELECTRICAL

| (1) PANEL KIT | | | | (2) BASE SEGMENT | | (3) ADDITIONAL SEGMENT | | | |
|---------------|-------|---------------|-------|---|---|---|--|--|--|
| HEIGHT | WIDTH | MODEL # | LIST | * 26"H FABRIC, FABRIC* GROUP 5 COST | * 26"H PERF. METAL, FABRIC, GROUP 5 COST | * 8"H FABRIC, FABRIC GROUP 5 COST | * 14"H FABRIC, FABRIC GROUP 5 COST | * 14"H MARKER, FABRIC GROUP 5 COST | * 18"H FABRIC, FABRIC GROUP 5 COST |
| 39" | 24" | FHPK.3924N-D1 | \$208 | +\$127 | +\$147 | \$76 | X | X | X |
| | 30" | FHPK.3930N-D1 | \$226 | +\$146 | +\$175 | \$85 | X | X | X |
| | 36" | FHPK.3936N-D1 | \$240 | +\$188 | +\$195 | \$87 | X | X | X |
| | 42" | FHPK.3942N-D1 | \$261 | +\$205 | +\$223 | \$95 | X | X | X |
| | 48" | FHPK.3948N-D1 | \$277 | +\$205 | +\$256 | \$107 | X | X | X |
| 47" | 24" | FHPK.4724N-D1 | \$221 | +\$127 | +\$147 | \$76 | X | X | X |
| | 30" | FHPK.4730N-D1 | \$239 | +\$146 | +\$175 | \$85 | X | X | X |
| | 36" | FHPK.4736N-D1 | \$255 | +\$188 | +\$195 | \$87 | X | X | X |
| | 42" | FHPK.4742N-D1 | \$274 | +\$205 | +\$223 | \$95 | X | X | X |
| | 48" | FHPK.4748N-D1 | \$290 | +\$205 | +\$256 | \$107 | X | X | X |
| 53" | 24" | FHPK.5324N-D1 | \$233 | +\$127 | +\$147 | \$76 | +\$93 | +\$184 | X |
| | 30" | FHPK.5330N-D1 | \$252 | +\$146 | +\$175 | \$85 | +\$99 | +\$211 | X |
| | 36" | FHPK.5336N-D1 | \$267 | +\$188 | +\$195 | \$87 | +\$110 | +\$249 | X |
| | 42" | FHPK.5342N-D1 | \$287 | +\$205 | +\$223 | \$95 | +\$124 | +\$262 | X |
| | 48" | FHPK.5348N-D1 | \$302 | +\$205 | +\$256 | \$107 | +\$135 | +\$293 | X |
| 67" | 24" | FHPK.6724N-D1 | \$257 | +\$127 | +\$147 | \$76 | +\$93 | +\$184 | X |
| | 30" | FHPK.6730N-D1 | \$275 | +\$146 | +\$175 | \$85 | +\$99 | +\$211 | X |
| | 36" | FHPK.6736N-D1 | \$290 | +\$188 | +\$195 | \$87 | +\$110 | +\$249 | X |
| | 42" | FHPK.6742N-D1 | \$310 | +\$205 | +\$223 | \$95 | +\$124 | +\$262 | X |
| | 48" | FHPK.6748N-D1 | \$326 | +\$205 | +\$256 | \$107 | +\$135 | +\$293 | X |
| 85" | 24" | FHPK.8524N-D1 | \$291 | +\$127 | +\$147 | \$76 | +\$93 | +\$184 | +\$104 |
| | 30" | FHPK.8530N-D1 | \$310 | +\$146 | +\$175 | \$85 | +\$99 | +\$211 | +\$112 |
| | 36" | FHPK.8536N-D1 | \$325 | +\$188 | +\$195 | \$87 | +\$110 | +\$249 | +\$148 |
| | 42" | FHPK.8542N-D1 | \$345 | +\$205 | +\$223 | \$95 | +\$124 | +\$262 | +\$157 |
| | 48" | FHPK.8548N-D1 | \$360 | +\$205 | +\$256 | \$107 | +\$135 | +\$293 | +\$162 |

Design 1 Segmented Panel

| Fabric/Finish Specifications | | Specifications Example: Design 1 | |
|---|---|--|---|
| BASE SEGMENTS | ADDITIONAL SEGMENTS |  |  |
| Fabric/Fabric fabric (side 1): see page 6 fabric (side 2): see page 6 | Fabric/Fabric fabric (side 1): see page 6 fabric (side 2): see page 6 | | |
| Perforated Metal/Fabric paint (side 1 or 2): DT, MT, or CW fabric (side 1 or 2): see page 6 | Markerboard/Markerboard no specifications | | |
| Perforated Metal/ Perforated Metal paint (side 1): DT, MT, or CW paint (side 2): DT, MT, or CW | Markerboard/Fabric markerboard (side 1 or 2): n/a fabric (side 1 or 2): see page 6 | | |
| | Glazed glass (side 1): TR Clear or FR Frosted (XLT option) glass (side 2): TR Clear or FR Frosted (XLT option) | | |

ELECTRICAL

| (1) PANEL KIT Specify size of panel frame | | | | (2) BASE SEGMENT Specify one base segment | | | (3) ADDITIONAL SEGMENT Specify as many segments as needed to complete panel | | | | | |
|--|-------|---------------|-------|--|-------------------------------------|---|--|-----------------------------|-----------------------------|---------------------------|----------------|-----------------------------|
| HEIGHT | WIDTH | MODEL # | LIST | * 26"H FABRIC, FABRIC | * 26"H PERF. METAL, FABRIC | 26"H PERF. METAL, PERF. METAL | * 8"H FABRIC, FABRIC | * 14"H FABRIC, FABRIC | * 14"H MARKER, FABRIC | 14"H MARKER, MARKER | 14"H GLAZED | * 18"H FABRIC, FABRIC |
| 39" | 24" | FHPK.3924E-D1 | \$384 | +\$100 | +\$133 | +\$168 | +\$62 | X | X | X | X | X |
| | 30" | FHPK.3930E-D1 | \$433 | +\$119 | +\$161 | +\$206 | +\$71 | X | X | X | X | X |
| | 36" | FHPK.3936E-D1 | \$469 | +\$161 | +\$181 | +\$245 | +\$73 | X | X | X | X | X |
| | 42" | FHPK.3942E-D1 | \$517 | +\$178 | +\$209 | +\$281 | +\$81 | X | X | X | X | X |
| | 48" | FHPK.3948E-D1 | \$559 | +\$178 | +\$242 | +\$317 | +\$93 | X | X | X | X | X |
| 47" | 24" | FHPK.4724E-D1 | \$398 | +\$100 | +\$133 | +\$168 | +\$62 | X | X | X | X | X |
| | 30" | FHPK.4730E-D1 | \$447 | +\$119 | +\$161 | +\$206 | +\$71 | X | X | X | X | X |
| | 36" | FHPK.4736E-D1 | \$483 | +\$161 | +\$181 | +\$245 | +\$73 | X | X | X | X | X |
| | 42" | FHPK.4742E-D1 | \$530 | +\$178 | +\$209 | +\$281 | +\$81 | X | X | X | X | X |
| | 48" | FHPK.4748E-D1 | \$572 | +\$178 | +\$242 | +\$317 | +\$93 | X | X | X | X | X |
| 53" | 24" | FHPK.5324E-D1 | \$412 | +\$100 | +\$133 | +\$168 | +\$62 | +\$75 | +\$175 | +\$153 | +\$274 | X |
| | 30" | FHPK.5330E-D1 | \$460 | +\$119 | +\$161 | +\$206 | +\$71 | +\$81 | +\$202 | +\$176 | +\$322 | X |
| | 36" | FHPK.5336E-D1 | \$496 | +\$161 | +\$181 | +\$245 | +\$73 | +\$92 | +\$240 | +\$210 | +\$371 | X |
| | 42" | FHPK.5342E-D1 | \$543 | +\$178 | +\$209 | +\$281 | +\$81 | +\$106 | +\$253 | +\$219 | +\$420 | X |
| | 48" | FHPK.5348E-D1 | \$586 | +\$178 | +\$242 | +\$317 | +\$93 | +\$117 | +\$284 | +\$246 | +\$468 | X |
| 67" | 24" | FHPK.6724E-D1 | \$436 | +\$100 | +\$133 | +\$168 | +\$62 | +\$75 | +\$175 | +\$153 | +\$274 | X |
| | 30" | FHPK.6730E-D1 | \$484 | +\$119 | +\$161 | +\$206 | +\$71 | +\$81 | +\$202 | +\$176 | +\$322 | X |
| | 36" | FHPK.6736E-D1 | \$519 | +\$161 | +\$181 | +\$245 | +\$73 | +\$92 | +\$240 | +\$210 | +\$371 | X |
| | 42" | FHPK.6742E-D1 | \$568 | +\$178 | +\$209 | +\$281 | +\$81 | +\$106 | +\$253 | +\$219 | +\$420 | X |
| | 48" | FHPK.6748E-D1 | \$610 | +\$178 | +\$242 | +\$317 | +\$93 | +\$117 | +\$284 | +\$246 | +\$468 | X |
| 85" | 24" | FHPK.8524E-D1 | \$460 | +\$100 | +\$133 | +\$168 | +\$62 | +\$75 | +\$175 | +\$153 | +\$274 | +\$83 |
| | 30" | FHPK.8530E-D1 | \$508 | +\$119 | +\$161 | +\$206 | +\$71 | +\$81 | +\$202 | +\$176 | +\$322 | +\$91 |
| | 36" | FHPK.8536E-D1 | \$543 | +\$161 | +\$181 | +\$245 | +\$73 | +\$92 | +\$240 | +\$210 | +\$371 | +\$127 |
| | 42" | FHPK.8542E-D1 | \$589 | +\$178 | +\$209 | +\$281 | +\$81 | +\$106 | +\$253 | +\$219 | +\$420 | +\$136 |
| | 48" | FHPK.8548E-D1 | \$632 | +\$178 | +\$242 | +\$317 | +\$93 | +\$117 | +\$284 | +\$246 | +\$468 | +\$141 |

* For Group 5 pricing see next page

Design 1 Segmented Panel

ELECTRICAL

| (1) PANEL KIT | | | | (2) BASE SEGMENT | | (3) ADDITIONAL SEGMENT | | | |
|---------------|-------|---------------|-------|--------------------------------------|--|-------------------------------------|--------------------------------------|--|--------------------------------------|
| HEIGHT | WIDTH | MODEL # | LIST | * 26"H FABRIC, GROUP 5 COST | * 26"H PERF. METAL, FABRIC GROUP 5 COST | * 8"H FABRIC, GROUP 5 COST | * 14"H FABRIC, GROUP 5 COST | * 14"H MARKER, FABRIC GROUP 5 COST | * 18"H FABRIC, GROUP 5 COST |
| 39" | 24" | FHPK.3924E-D1 | \$384 | +\$127 | +\$147 | +\$76 | X | X | X |
| | 30" | FHPK.3930E-D1 | \$433 | +\$146 | +\$175 | +\$85 | X | X | X |
| | 36" | FHPK.3936E-D1 | \$469 | +\$188 | +\$195 | +\$87 | X | X | X |
| | 42" | FHPK.3942E-D1 | \$517 | +\$205 | +\$223 | +\$95 | X | X | X |
| | 48" | FHPK.3948E-D1 | \$559 | +\$205 | +\$256 | +\$107 | X | X | X |
| 47" | 24" | FHPK.4724E-D1 | \$398 | +\$127 | +\$147 | +\$76 | X | X | X |
| | 30" | FHPK.4730E-D1 | \$447 | +\$146 | +\$175 | +\$85 | X | X | X |
| | 36" | FHPK.4736E-D1 | \$483 | +\$188 | +\$195 | +\$87 | X | X | X |
| | 42" | FHPK.4742E-D1 | \$530 | +\$205 | +\$223 | +\$95 | X | X | X |
| | 48" | FHPK.4748E-D1 | \$572 | +\$205 | +\$256 | +\$107 | X | X | X |
| 53" | 24" | FHPK.5324E-D1 | \$412 | +\$127 | +\$147 | +\$76 | +\$93 | +\$184 | X |
| | 30" | FHPK.5330E-D1 | \$460 | +\$146 | +\$175 | +\$85 | +\$99 | +\$211 | X |
| | 36" | FHPK.5336E-D1 | \$496 | +\$188 | +\$195 | +\$87 | +\$110 | +\$249 | X |
| | 42" | FHPK.5342E-D1 | \$543 | +\$205 | +\$223 | +\$95 | +\$124 | +\$262 | X |
| | 48" | FHPK.5348E-D1 | \$586 | +\$205 | +\$256 | +\$107 | +\$135 | +\$293 | X |
| 67" | 24" | FHPK.6724E-D1 | \$436 | +\$127 | +\$147 | +\$76 | +\$93 | +\$184 | X |
| | 30" | FHPK.6730E-D1 | \$484 | +\$146 | +\$175 | +\$85 | +\$99 | +\$211 | X |
| | 36" | FHPK.6736E-D1 | \$519 | +\$188 | +\$195 | +\$87 | +\$110 | +\$249 | X |
| | 42" | FHPK.6742E-D1 | \$568 | +\$205 | +\$223 | +\$95 | +\$124 | +\$262 | X |
| | 48" | FHPK.6748E-D1 | \$610 | +\$205 | +\$256 | +\$107 | +\$135 | +\$293 | X |
| 85" | 24" | FHPK.8524E-D1 | \$460 | +\$127 | +\$147 | +\$76 | +\$93 | +\$184 | +\$104 |
| | 30" | FHPK.8530E-D1 | \$508 | +\$146 | +\$175 | +\$85 | +\$99 | +\$211 | +\$112 |
| | 36" | FHPK.8536E-D1 | \$543 | +\$188 | +\$195 | +\$87 | +\$110 | +\$249 | +\$148 |
| | 42" | FHPK.8542E-D1 | \$589 | +\$205 | +\$223 | +\$95 | +\$124 | +\$262 | +\$157 |
| | 48" | FHPK.8548E-D1 | \$632 | +\$205 | +\$256 | +\$107 | +\$135 | +\$293 | +\$162 |

Design 2 Segmented Panel

How to Order & Specify

- 1 Select a panel kit size.** Electrical or Non-Electrical, both with metal base cover.
- 2 Add a base segment.** Add price of the base segment to panel kit price.
- 3 Select additional segments.** Complete the panel with segments (reference diagram on page 14). Add prices to the total.

NOTE: All segments finish both sides of the panel. Specify the finish for each side.
- 4 Calculate total.** Add prices of all selections for total cost of panel.
- 5 Specify finishes.** Select fabrics and finishes as appropriate; reference opposite page.

Order Example

- 1 Select a panel kit size.**
67"H x 24"W non-electrical panel kit for \$184.
- 2 Add a base segment.**
34"H fabric covered base segment for \$159.
- 3 Select additional segments.**
14"H markerboard/fabric segment for \$175
14"H glazed segment for \$274
- 4 Calculate total.**
panel kit (\$213 kit)
+ \$159 base segment
+ additional segments (\$175 + \$274)
= \$821 total
- 5 Specify finishes.**
base segment: side 1 PF601-1, side 2 PF601-1
14"H markerboard/fabric: side 1 markerboard, side 2 PF601-1
14"H glazed: side 1 TR clear, side 2 TR clear



67"H x 24"W
non-electrical panel kit
with metal base cover

NON-ELECTRICAL

| (1) PANEL KIT | | | | (2) BASE SEGMENT | | (3) ADDITIONAL SEGMENT | | | | | |
|-----------------------------|-------|---------------|-------|--------------------------|----------------------------|--|-----------------------------|---------------------------|----------------|-----------------------------|--|
| Specify size of panel frame | | | | Add base segment | | Specify as many segments as needed to complete panel | | | | | |
| HEIGHT | WIDTH | MODEL # | LIST | * 34"H FABRIC, FABRIC | * 8"H FABRIC, FABRIC | * 14"H FABRIC, FABRIC | * 14"H MARKER, FABRIC | 14"H MARKER, MARKER | 14"H GLAZED | * 18"H FABRIC, FABRIC | |
| 39" | 24" | FHPK.3924N-D2 | \$208 | + \$159 | X | X | X | X | X | X | |
| | 30" | FHPK.3930N-D2 | \$226 | + \$187 | X | X | X | X | X | X | |
| | 36" | FHPK.3936N-D2 | \$240 | + \$229 | X | X | X | X | X | X | |
| | 42" | FHPK.3942N-D2 | \$261 | + \$252 | X | X | X | X | X | X | |
| | 48" | FHPK.3948N-D2 | \$277 | + \$267 | X | X | X | X | X | X | |
| 47" | 24" | FHPK.4724N-D2 | \$208 | + \$159 | + \$62 | X | X | X | X | X | |
| | 30" | FHPK.4730N-D2 | \$239 | + \$187 | + \$71 | X | X | X | X | X | |
| | 36" | FHPK.4736N-D2 | \$255 | + \$229 | + \$73 | X | X | X | X | X | |
| | 42" | FHPK.4742N-D2 | \$274 | + \$252 | + \$81 | X | X | X | X | X | |
| | 48" | FHPK.4748N-D2 | \$290 | + \$267 | + \$93 | X | X | X | X | X | |
| 53" | 24" | FHPK.5324N-D2 | \$233 | + \$159 | X | + \$75 | + \$175 | + \$153 | + \$274 | X | |
| | 30" | FHPK.5330N-D2 | \$252 | + \$187 | X | + \$81 | + \$202 | + \$176 | + \$322 | X | |
| | 36" | FHPK.5336N-D2 | \$267 | + \$229 | X | + \$92 | + \$240 | + \$210 | + \$371 | X | |
| | 42" | FHPK.5342N-D2 | \$287 | + \$252 | X | + \$106 | + \$253 | + \$219 | + \$420 | X | |
| | 48" | FHPK.5348N-D2 | \$302 | + \$267 | X | + \$117 | + \$284 | + \$246 | + \$468 | X | |
| 67" | 24" | FHPK.6724N-D2 | \$257 | + \$159 | X | + \$75 | + \$175 | + \$153 | + \$274 | X | |
| | 30" | FHPK.6730N-D2 | \$275 | + \$187 | X | + \$81 | + \$202 | + \$176 | + \$322 | X | |
| | 36" | FHPK.6736N-D2 | \$290 | + \$229 | X | + \$92 | + \$240 | + \$210 | + \$371 | X | |
| | 42" | FHPK.6742N-D2 | \$310 | + \$252 | X | + \$106 | + \$253 | + \$219 | + \$420 | X | |
| | 48" | FHPK.6748N-D2 | \$326 | + \$267 | X | + \$117 | + \$284 | + \$246 | + \$468 | X | |
| 85" | 24" | FHPK.8524N-D2 | \$291 | + \$159 | X | + \$75 | + \$175 | + \$153 | + \$274 | + \$83 | |
| | 30" | FHPK.8530N-D2 | \$310 | + \$187 | X | + \$81 | + \$202 | + \$176 | + \$322 | + \$91 | |
| | 36" | FHPK.8536N-D2 | \$325 | + \$229 | X | + \$92 | + \$240 | + \$210 | + \$371 | + \$127 | |
| | 42" | FHPK.8542N-D2 | \$345 | + \$252 | X | + \$106 | + \$253 | + \$219 | + \$420 | + \$136 | |
| | 48" | FHPK.8548N-D2 | \$360 | + \$267 | X | + \$117 | + \$284 | + \$246 | + \$468 | + \$141 | |

* For Group 5 pricing see next page

Design 2 Segmented Panel

NON-ELECTRICAL

| (1) PANEL KIT | | | | (2) BASE SEGMENT | (3) ADDITIONAL SEGMENT | | | |
|---------------|-------|---------------|-------|--|---|--|--|--|
| HEIGHT | WIDTH | MODEL # | LIST | * 34"H FABRIC, FABRIC GROUP 5 COST | * 8"H FABRIC, FABRIC GROUP 5 COST | * 14"H FABRIC, FABRIC GROUP 5 COST | * 14"H MARKER, FABRIC GROUP 5 COST | * 18"H FABRIC, FABRIC GROUP 5 COST |
| 39" | 24" | FHPK.3924N-D2 | \$208 | +\$199 | X | X | X | X |
| | 30" | FHPK.3930N-D2 | \$226 | +\$227 | X | X | X | X |
| | 36" | FHPK.3936N-D2 | \$240 | +\$269 | X | X | X | X |
| | 42" | FHPK.3942N-D2 | \$261 | +\$292 | X | X | X | X |
| | 48" | FHPK.3948N-D2 | \$277 | +\$307 | X | X | X | X |
| 47" | 24" | FHPK.4724N-D2 | \$208 | +\$199 | +\$76 | X | X | X |
| | 30" | FHPK.4730N-D2 | \$239 | +\$227 | +\$85 | X | X | X |
| | 36" | FHPK.4736N-D2 | \$255 | +\$269 | +\$87 | X | X | X |
| | 42" | FHPK.4742N-D2 | \$274 | +\$292 | +\$95 | X | X | X |
| | 48" | FHPK.4748N-D2 | \$290 | +\$307 | +\$107 | X | X | X |
| 53" | 24" | FHPK.5324N-D2 | \$233 | +\$199 | X | +\$93 | +\$184 | X |
| | 30" | FHPK.5330N-D2 | \$252 | +\$227 | X | +\$99 | +\$211 | X |
| | 36" | FHPK.5336N-D2 | \$267 | +\$269 | X | +\$110 | +\$249 | X |
| | 42" | FHPK.5342N-D2 | \$287 | +\$292 | X | +\$124 | +\$262 | X |
| | 48" | FHPK.5348N-D2 | \$302 | +\$307 | X | +\$135 | +\$293 | X |
| 67" | 24" | FHPK.6724N-D2 | \$257 | +\$199 | X | +\$93 | +\$184 | X |
| | 30" | FHPK.6730N-D2 | \$275 | +\$227 | X | +\$99 | +\$211 | X |
| | 36" | FHPK.6736N-D2 | \$290 | +\$269 | X | +\$110 | +\$249 | X |
| | 42" | FHPK.6742N-D2 | \$310 | +\$292 | X | +\$124 | +\$262 | X |
| | 48" | FHPK.6748N-D2 | \$326 | +\$307 | X | +\$135 | +\$293 | X |
| 85" | 24" | FHPK.8524N-D2 | \$291 | +\$199 | X | +\$93 | +\$184 | +\$104 |
| | 30" | FHPK.8530N-D2 | \$310 | +\$227 | X | +\$99 | +\$211 | +\$112 |
| | 36" | FHPK.8536N-D2 | \$325 | +\$269 | X | +\$110 | +\$249 | +\$148 |
| | 42" | FHPK.8542N-D2 | \$345 | +\$292 | X | +\$124 | +\$262 | +\$157 |
| | 48" | FHPK.8548N-D2 | \$360 | +\$307 | X | +\$135 | +\$293 | +\$162 |

Design 2 Segmented Panel

| Fabric/Finish Specifications | | Specifications Example: Design 2 | |
|--|---|----------------------------------|--|
| BASE SEGMENT | ADDITIONAL SEGMENTS | | |
| Fabric/Fabric fabric (side 1): see page 6 fabric (side 2): see page 6 | Fabric/Fabric fabric (side 1): see page 6 fabric (side 2): see page 6 | | |
| | Markerboard/Markerboard no specifications | | |
| | Markerboard/Fabric markerboard (side 1 or 2): n/a fabric (side 1 or 2): page 6 | | |
| | Glazed glass (side 1): TR Clear or FR Frosted (XLT option) glass (side 2): TR Clear or FR Frosted (XLT option) | | |

ELECTRICAL

| (1) PANEL KIT Specify size of panel frame | | | | (2) BASE SEGMENT Add base segment | (3) ADDITIONAL SEGMENT Specify as many segments as needed to complete panel | | | | | |
|--|-------|---------------|-------|--------------------------------------|--|-----------------------------|-----------------------------|---------------------------|----------------|-----------------------------|
| HEIGHT | WIDTH | MODEL # | LIST | * 34"H FABRIC, FABRIC | * 8"H FABRIC, FABRIC | * 14"H FABRIC, FABRIC | * 14"H MARKER, FABRIC | 14"H MARKER, MARKER | 14"H GLAZED | * 18"H FABRIC, FABRIC |
| 39" | 24" | FHPK.3924E-D2 | \$384 | + \$159 | X | X | X | X | X | X |
| | 30" | FHPK.3930E-D2 | \$433 | + \$187 | X | X | X | X | X | X |
| | 36" | FHPK.3936E-D2 | \$469 | + \$229 | X | X | X | X | X | X |
| | 42" | FHPK.3942E-D2 | \$517 | + \$252 | X | X | X | X | X | X |
| | 48" | FHPK.3948E-D2 | \$559 | + \$267 | X | X | X | X | X | X |
| 47" | 24" | FHPK.4724E-D2 | \$398 | + \$159 | + \$62 | X | X | X | X | X |
| | 30" | FHPK.4730E-D2 | \$447 | + \$187 | + \$71 | X | X | X | X | X |
| | 36" | FHPK.4736E-D2 | \$483 | + \$229 | + \$73 | X | X | X | X | X |
| | 42" | FHPK.4742E-D2 | \$530 | + \$252 | + \$81 | X | X | X | X | X |
| | 48" | FHPK.4748E-D2 | \$572 | + \$267 | + \$93 | X | X | X | X | X |
| 53" | 24" | FHPK.5324E-D2 | \$412 | + \$159 | X | + \$75 | + \$175 | + \$153 | + \$274 | X |
| | 30" | FHPK.5330E-D2 | \$460 | + \$187 | X | + \$81 | + \$202 | + \$176 | + \$322 | X |
| | 36" | FHPK.5336E-D2 | \$496 | + \$229 | X | + \$92 | + \$240 | + \$210 | + \$371 | X |
| | 42" | FHPK.5342E-D2 | \$543 | + \$252 | X | + \$106 | + \$253 | + \$219 | + \$420 | X |
| | 48" | FHPK.5348E-D2 | \$586 | + \$267 | X | + \$117 | + \$284 | + \$246 | + \$468 | X |
| 67" | 24" | FHPK.6724E-D2 | \$436 | + \$159 | X | + \$75 | + \$175 | + \$153 | + \$274 | X |
| | 30" | FHPK.6730E-D2 | \$484 | + \$187 | X | + \$81 | + \$202 | + \$176 | + \$322 | X |
| | 36" | FHPK.6736E-D2 | \$519 | + \$229 | X | + \$92 | + \$240 | + \$210 | + \$371 | X |
| | 42" | FHPK.6742E-D2 | \$568 | + \$252 | X | + \$106 | + \$253 | + \$219 | + \$420 | X |
| | 48" | FHPK.6748E-D2 | \$610 | + \$267 | X | + \$117 | + \$284 | + \$246 | + \$468 | X |
| 85" | 24" | FHPK.8524E-D2 | \$460 | + \$159 | X | + \$75 | + \$175 | + \$153 | + \$274 | + \$83 |
| | 30" | FHPK.8530E-D2 | \$508 | + \$187 | X | + \$81 | + \$202 | + \$176 | + \$322 | + \$91 |
| | 36" | FHPK.8536E-D2 | \$543 | + \$229 | X | + \$92 | + \$240 | + \$210 | + \$371 | + \$127 |
| | 42" | FHPK.8542E-D2 | \$589 | + \$252 | X | + \$106 | + \$253 | + \$219 | + \$420 | + \$136 |
| | 48" | FHPK.8548E-D2 | \$632 | + \$267 | X | + \$117 | + \$284 | + \$246 | + \$468 | + \$141 |

* For Group 5 pricing see next page

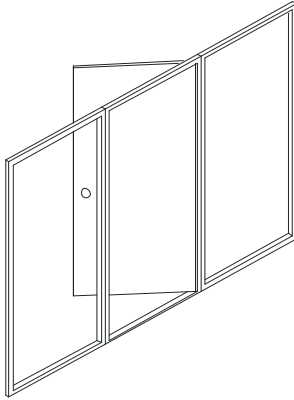
Design 2 Segmented Panel

ELECTRICAL

| (1) PANEL KIT | | | | (2) BASE SEGMENT | (3) ADDITIONAL SEGMENT | | | |
|---------------|-------|---------------|-------|--|---|--|--|--|
| HEIGHT | WIDTH | MODEL # | LIST | * 34"H FABRIC, FABRIC GROUP 5 COST | * 8"H FABRIC, FABRIC GROUP 5 COST | * 14"H FABRIC, FABRIC GROUP 5 COST | * 14"H MARKER, FABRIC GROUP 5 COST | * 18"H FABRIC, FABRIC GROUP 5 COST |
| 39" | 24" | FHPK.3924E-D2 | \$384 | +\$199 | X | X | X | X |
| | 30" | FHPK.3930E-D2 | \$433 | +\$227 | X | X | X | X |
| | 36" | FHPK.3936E-D2 | \$469 | +\$269 | X | X | X | X |
| | 42" | FHPK.3942E-D2 | \$517 | +\$292 | X | X | X | X |
| | 48" | FHPK.3948E-D2 | \$559 | +\$307 | X | X | X | X |
| 47" | 24" | FHPK.4724E-D2 | \$398 | +\$199 | +\$76 | X | X | X |
| | 30" | FHPK.4730E-D2 | \$447 | +\$227 | +\$85 | X | X | X |
| | 36" | FHPK.4736E-D2 | \$483 | +\$269 | +\$87 | X | X | X |
| | 42" | FHPK.4742E-D2 | \$530 | +\$292 | +\$95 | X | X | X |
| | 48" | FHPK.4748E-D2 | \$572 | +\$307 | +\$107 | X | X | X |
| 53" | 24" | FHPK.5324E-D2 | \$412 | +\$199 | X | +\$93 | +\$184 | X |
| | 30" | FHPK.5330E-D2 | \$460 | +\$227 | X | +\$99 | +\$211 | X |
| | 36" | FHPK.5336E-D2 | \$496 | +\$269 | X | +\$110 | +\$249 | X |
| | 42" | FHPK.5342E-D2 | \$543 | +\$292 | X | +\$124 | +\$262 | X |
| | 48" | FHPK.5348E-D2 | \$586 | +\$307 | X | +\$135 | +\$293 | X |
| 67" | 24" | FHPK.6724E-D2 | \$436 | +\$199 | X | +\$93 | +\$184 | X |
| | 30" | FHPK.6730E-D2 | \$484 | +\$227 | X | +\$99 | +\$211 | X |
| | 36" | FHPK.6736E-D2 | \$519 | +\$269 | X | +\$110 | +\$249 | X |
| | 42" | FHPK.6742E-D2 | \$568 | +\$292 | X | +\$124 | +\$262 | X |
| | 48" | FHPK.6748E-D2 | \$610 | +\$307 | X | +\$135 | +\$293 | X |
| 85" | 24" | FHPK.8524E-D2 | \$460 | +\$199 | X | +\$93 | +\$184 | +\$104 |
| | 30" | FHPK.8530E-D2 | \$508 | +\$227 | X | +\$99 | +\$211 | +\$112 |
| | 36" | FHPK.8536E-D2 | \$543 | +\$269 | X | +\$110 | +\$249 | +\$148 |
| | 42" | FHPK.8542E-D2 | \$589 | +\$292 | X | +\$124 | +\$262 | +\$157 |
| | 48" | FHPK.8548E-D2 | \$632 | +\$307 | X | +\$135 | +\$293 | +\$162 |

DOOR FRAMES

Door Frames



Right hand swing shown

DESCRIPTION

This door frame connects to wall starts, connectors and adjacent 85"H panels. It comes with an 82-1/2"H door, a standard top cap, door knob, door stop, carpet grippers and hinges. Door Frame cannot be powered. Hinges and door knob have a satin aluminum finish standard

NOTES

- Specify L for left hand swing, and R for right hand swing.

SPECIFICATION OPTIONS

product #: see charts below
door, door frame, top cap finish: DT Dark Tone, MT Medium Tone, CW Cloud White, SV Silver

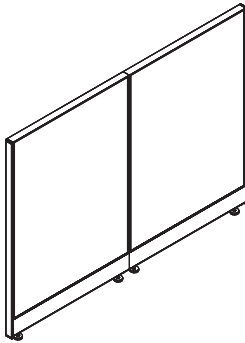
ORDER EXAMPLE

product #: FHDOPA.8536L
door, door frame, top cap finish: DT Dark Tone

| PART # | HEIGHT | WIDTH | DEPTH | WT. (LBS) | LIST |
|--------------|---------|-------|---------|-----------|---------|
| FHDOPA.8536L | 85-3/4" | 36" | 2-9/16" | — | \$4,398 |
| FHDOPA.8536R | 85-3/4" | 36" | 2-9/16" | — | \$4,398 |
| FHDOPA.8542L | 85-3/4" | 42" | 2-9/16" | — | \$4,398 |
| FHDOPA.8542R | 85-3/4" | 42" | 2-9/16" | — | \$4,398 |

PANEL HARDWARE

Draw Rod



DESCRIPTION

Panel hardware to connect two panels in a straight line or a panel to a wall start or a panel to power pole.

SPECIFICATION OPTIONS

product #: see charts below

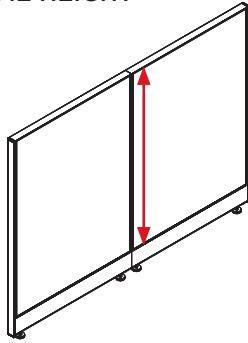
NOTES

- When connecting panels of different heights to each other, order draw rod change of height
- Draw rods are 5" shorter than the panel height

ORDER EXAMPLE

product #: FDR.34

DRAW ROD SAME HEIGHT

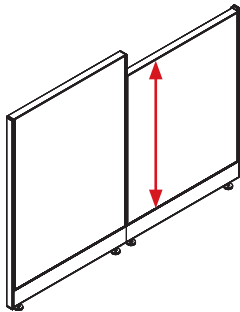


| PART # | HEIGHT | WIDTH | DEPTH | WT. (LBS) | LIST |
|----------|--------|-------|-------|-----------|------|
| FDRSH.34 | 34" | — | — | 1 | \$24 |
| FDRSH.42 | 42" | — | — | 1 | \$24 |
| FDRSH.48 | 48" | — | — | 1 | \$25 |
| FDRSH.62 | 62" | — | — | 1 | \$25 |
| FDRSH.80 | 80" | — | — | 2 | \$25 |

NOTES

- Rod and block assembly connects two panels at 180° (straight line)
- Panel hardware to connect two panels in a straight line .
- Color: DT Dark Tone

DRAW ROD CHANGE OF HEIGHT

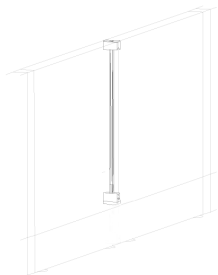


| PART # | HEIGHT | WIDTH | DEPTH | WT. (LBS) | LIST |
|------------|--------|-------|-------|-----------|------|
| FHDRCHS.34 | 34" | — | — | 2 | \$39 |
| FHDRCHS.42 | 42" | — | — | 2 | \$39 |
| FHDRCHS.48 | 48" | — | — | 2 | \$45 |
| FHDRCHS.62 | 62" | — | — | 2 | \$45 |

NOTES

- Rod and block assembly connects two panels at 180° (straight line) when the panels are of different height.
- Order the height of the shorter panel.
- Includes Hanger Rail to match the height of the shorter panel
- Remove Hanger Rail from taller panel and replace with the shorter Hanger Rail.
- Color: DT Dark Tone.

DRAW ROD WALL START/POWER POLE

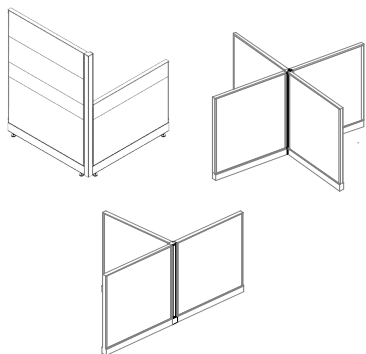


| PART # | HEIGHT | WIDTH | DEPTH | WT. (LBS) | LIST |
|--------|--------|-------|-------|-----------|------|
| FDR.34 | 34" | — | — | 1 | \$24 |
| FDR.42 | 42" | — | — | 1 | \$24 |
| FDR.48 | 48" | — | — | 1 | \$25 |
| FDR.62 | 62" | — | — | 1 | \$25 |
| FDR.80 | 80" | — | — | 2 | \$25 |

NOTES

Rod and block assembly for use at wall start or power pole installed at end of run.

Connectors



DESCRIPTION

Panel hardware to connect 2, 3 or 4 panels.
Includes hardware.

NOTES

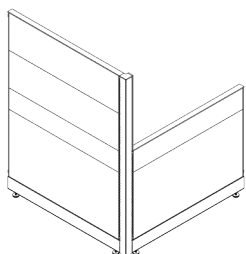
- Includes connector top cap
- No draw rods needed to attach connectors to panels.
- When connecting panels of different heights, specify the connector to match the tallest panel.
- For panels that do not match the height of the connector, order Finished End Change of Height separately.

SPECIFICATION OPTIONS

product #: see charts below
finish: see page 10

ORDER EXAMPLE

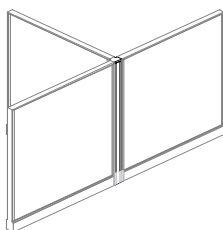
product #: FH2W.39
finish: DT

2-WAY 90°
CONNECTOR POST

| PART # | HEIGHT | WIDTH | DEPTH | WT. (LBS) | LIST |
|---------|--------|-------|-------|-----------|-------|
| FH2W.39 | 39" | 3.5" | 3.5" | 4 | \$141 |
| FH2W.47 | 47" | 3.5" | 3.5" | 5 | \$158 |
| FH2W.53 | 53" | 3.5" | 3.5" | 6 | \$167 |
| FH2W.67 | 67" | 3.5" | 3.5" | 7 | \$182 |
| FH2W.85 | 85" | 3.5" | 3.5" | 8 | \$202 |

NOTES

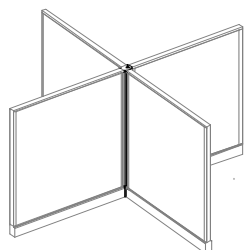
- Connects 2 panels at 90°.
- When connecting panels of different heights, specify the connector to match the tallest panel.
- For panels that do not match the height of the connector, order Finished End Change of Height separately.

3-WAY 90°
CONNECTOR POST

| PART # | HEIGHT | WIDTH | DEPTH | WT. (LBS) | LIST |
|---------|--------|-------|-------|-----------|-------|
| FH3W.39 | 39" | 3.5" | 3.5" | 5 | \$162 |
| FH3W.47 | 47" | 3.5" | 3.5" | 6 | \$186 |
| FH3W.53 | 53" | 3.5" | 3.5" | 7 | \$203 |
| FH3W.67 | 67" | 3.5" | 3.5" | 8 | \$242 |
| FH3W.85 | 85" | 3.5" | 3.5" | 9 | \$270 |

NOTES

- Connects 3 panels at 90°.
- Includes cable management trim cover and top cap
- When connecting panels of different heights, specify the connector to match the tallest panel.
- For panels that do not match the height of the connector, order Finished End Change of Height separately.

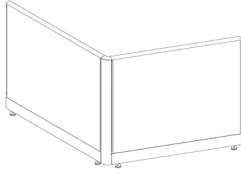
4-WAY 90°
CONNECTOR POST

| PART # | HEIGHT | WIDTH | DEPTH | WT. (LBS) | LIST |
|---------|--------|-------|-------|-----------|-------|
| FH4W.39 | 39" | 3.5" | 3.5" | 6 | \$164 |
| FH4W.47 | 47" | 3.5" | 3.5" | 7 | \$200 |
| FH4W.53 | 53" | 3.5" | 3.5" | 8 | \$211 |
| FH4W.67 | 67" | 3.5" | 3.5" | 10 | \$283 |
| FH4W.85 | 85" | 3.5" | 3.5" | 10 | \$344 |

NOTES

- Connects 4 panels at 90°.
- Includes top cap
- When connecting panels of different heights, specify the connector to match the tallest panel.
- For panels that do not match the height of the connector, order Finished End Change of Height separately.

2-WAY 120° CONNECTOR POST

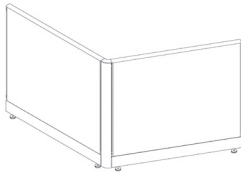


| PART # | HEIGHT | WIDTH | DEPTH | WT. (LBS) | LIST |
|------------|--------|-------|-------|-----------|-------|
| FH2W120.39 | 39" | 3.5 | — | — | \$240 |
| FH2W120.47 | 47" | 3.5 | — | — | \$268 |
| FH2W120.53 | 53" | 3.5 | — | — | \$289 |
| FH2W120.67 | 67" | 3.5 | — | — | \$337 |
| FH2W120.85 | 85" | 3.5 | — | — | \$395 |

NOTES

- Connects 2 panels at 120°.
- When connecting panels of different heights, specify the connector to match the tallest panel.
- For panels that do not match the height of the connector, order Finished End Change of Height separately.

2-WAY 135° CONNECTOR POST

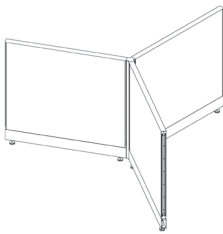


| PART # | HEIGHT | WIDTH | DEPTH | WT. (LBS) | LIST |
|------------|--------|-------|-------|-----------|-------|
| FH2W135.39 | 39" | 3.5 | — | — | \$235 |
| FH2W135.47 | 47" | 3.5 | — | — | \$260 |
| FH2W135.53 | 53" | 3.5 | — | — | \$279 |
| FH2W135.67 | 67" | 3.5 | — | — | \$321 |
| FH2W135.85 | 85" | 3.5 | — | — | \$372 |

NOTES

- Connects 2 panels at 135°.
- When connecting panels of different heights, specify the connector to match the tallest panel.
- For panels that do not match the height of the connector, order Finished End Change of Height separately.

3-WAY 120° CONNECTOR POST



| PART # | HEIGHT | WIDTH | DEPTH | WT. (LBS) | LIST |
|------------|--------|-------|-------|-----------|-------|
| FH3W120.39 | 39" | 3.5 | — | — | \$235 |
| FH3W120.47 | 47" | 3.5 | — | — | \$260 |
| FH3W120.53 | 53" | 3.5 | — | — | \$279 |
| FH3W120.67 | 67" | 3.5 | — | — | \$321 |
| FH3W120.85 | 85" | 3.5 | — | — | \$372 |

NOTES

- Connects 3 panels at 120°.
- When connecting panels of different heights, specify the connector to match the tallest panel.
- For panels that do not match the height of the connector, order Finished End Change of Height separately.

FINISHED END

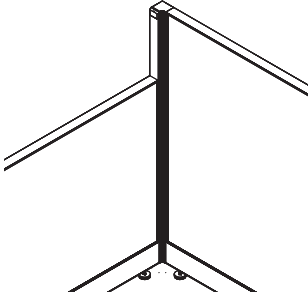


| PART # | HEIGHT | WIDTH | DEPTH | WT. (LBS) | LIST |
|---------|--------|-------|-------|-----------|------|
| FHFE.39 | 39" | 3.5" | 1" | 2 | \$64 |
| FHFE.47 | 47" | 3.5" | 1" | 2 | \$72 |
| FHFE.53 | 53" | 3.5" | 1" | 2 | \$76 |
| FHFE.67 | 67" | 3.5" | 1" | 2 | \$86 |
| FHFE.85 | 85" | 3.5" | 1" | 3 | \$95 |

NOTES

- Finishes the vertical end of a panel at the end of a panel run.
- Includes the cable management trim cover.

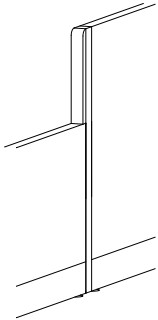
Connectors / continued

FINISHED END,
CHANGE OF HEIGHT
FOR CONNECTOR

| PART # | HEIGHT | WIDTH | DEPTH | WT. (LBS) | LIST |
|-----------|--------|-------|-------|-----------|------|
| FHFECH.6 | 6" | 1.75" | .25" | 1 | \$76 |
| FHFECH.8 | 8" | 1.75" | .25" | 1 | \$76 |
| FHFECH.14 | 14" | 1.75" | .25" | 1 | \$76 |
| FHFECH.18 | 18" | 1.75" | .25" | 2 | \$76 |
| FHFECH.20 | 20" | 1.75" | .25" | 2 | \$76 |
| FHFECH.28 | 28" | 1.75" | .25" | 3 | \$76 |
| FHFECH.32 | 32" | 1.75" | .25" | 3 | \$76 |
| FHFECH.38 | 38" | 1.75" | .25" | 3 | \$76 |
| FHFECH.46 | 46" | 1.75" | .25" | 3 | \$76 |

NOTES

- Finishes the exposed end of a connector at a change of height location.
- Includes finished end trim and mounting hardware.

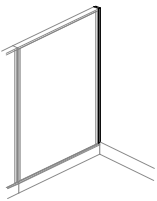
FINISHED END,
CHANGE OF HEIGHT
FOR PANEL TO PANEL

| PART # | HEIGHT | WIDTH | DEPTH | WT. (LBS) | LIST |
|------------|--------|-------|-------|-----------|------|
| FHFECHS.6 | 6" | 1.75" | .25" | 1 | \$76 |
| FHFECHS.8 | 8" | 1.75" | .25" | 1 | \$76 |
| FHFECHS.14 | 14" | 1.75" | .25" | 1 | \$76 |
| FHFECHS.18 | 18" | 1.75" | .25" | 2 | \$76 |
| FHFECHS.20 | 20" | 1.75" | .25" | 2 | \$76 |
| FHFECHS.28 | 28" | 1.75" | .25" | 3 | \$76 |
| FHFECHS.32 | 32" | 1.75" | .25" | 3 | \$76 |
| FHFECHS.38 | 38" | 1.75" | .25" | 3 | \$76 |
| FHFECHS.46 | 46" | 1.75" | .25" | 3 | \$76 |

NOTES

- Finishes the exposed end of a panel at a change of height location.
- Includes finished end trim and mounting hardware.

WALL START

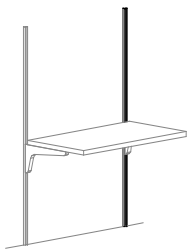


| PART # | HEIGHT | WIDTH | DEPTH | WT. (LBS) | LIST |
|----------|--------|-------|-------|-----------|------|
| FWSTA.34 | 34" | 1.75" | 1" | 2 | \$52 |
| FWSTA.42 | 42" | 1.75" | 1" | 3 | \$59 |
| FWSTA.48 | 48" | 1.75" | 1" | 3 | \$66 |
| FWSTA.62 | 62" | 1.75" | 1" | 3 | \$74 |
| FWSTA.80 | 80" | 1.75" | 1" | 4 | \$82 |

NOTES

- Connects panel to structural wall or column. Can also connect equal height panels at a 90° angle at any point along the panel width.
- Order one draw rod of the same height to attach panel to wall start.

WALL STRIP



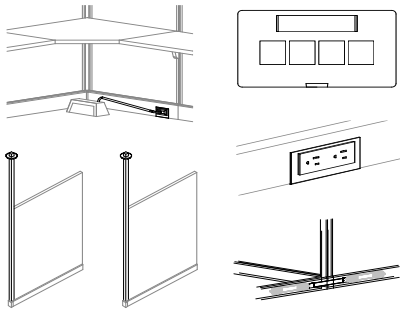
| PART # | HEIGHT | WIDTH | DEPTH | WT. (LBS) | LIST |
|----------|--------|-------|-------|-----------|------|
| FWSST.60 | 60" | — | — | 3 | \$63 |
| FWSST.72 | 72" | — | — | 3 | \$72 |
| FWSST.84 | 84" | — | — | 4 | \$88 |

NOTES

- Attaches to structural wall to hang worksurfaces and/or components.
- Includes one wall strip.
- Aluminum finish only.
- Can be shared, support (2) components side by side w/(3) wall strips

ELECTRICAL DISTRIBUTION

Electrical Distribution



DESCRIPTION

Parts for distributing power through your system. Distributes up to four 20-amp circuits.

NOTES

- 4-circuit

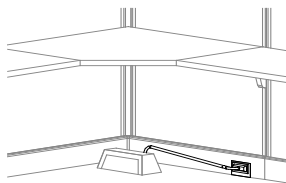
SPECIFICATION OPTIONS

product #: see charts below
finish: page 10

ORDER EXAMPLE

product #: FHBPE

BASE POWER ENTRY DIRECT CONNECT, 4-CIRCUIT



| PART # | HEIGHT | WIDTH | DEPTH | WT. (LBS) | LIST |
|--------|------------------|-------|-------|-----------|-------|
| FHBPE | left angle elbow | 6" | — | 5 | \$327 |

NOTES

Connects building power from a wall, floor or column to the base of a panel.

Plugs directly into the panel's electrical harness at receptacle location.

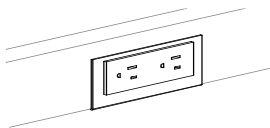
Basefeed is approx 6 1/2 feet long

Distributes up to four 20-amp circuits.

Includes a cable that can be field-cut to the appropriate length.

MUST BE WIRED BY A LICENSED ELECTRICIAN.

RECEPTACLE 4-CIRCUIT



| PART # | HEIGHT | WIDTH | DEPTH | WT. (LBS) | LIST |
|------------------|----------------------|-------|-------|-----------|------|
| FHRECP4.I | circuit a | | | 0.25 | \$27 |
| FHRECP4.II | circuit b | | | 0.25 | \$27 |
| FHRECP4.III | circuit c | | | 0.25 | \$27 |
| FHRECP4.IIII | circuit d, dedicated | | | 0.25 | \$27 |
| FHRECP4.II-CONT | Circuit b | | | 0.25 | \$27 |
| FHRECP4.III-CONT | Circuit c | | | 0.25 | \$27 |

NOTES

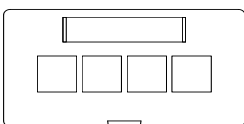
Locks into panel base power harness.

Provides access to I, II, III, or IIII circuit, upto 20 Amps.

Provides dedicated circuit with "IIII" receptacle, upto 20 Amps.

Receptacle -CONT are permanently marked CONTROLLED on the face of the receptacle and must be connected to a timer or motion sensor at the infeed location by a licensed electrician in order to comply with California T24

DATA PORT PLATE



| PART # | HEIGHT | WIDTH | DEPTH | WT. (LBS) | LIST |
|--------|--------|--------|--------|-----------|------|
| FHDPP | 2.125" | 3.625" | 0.750" | 0.10 | \$45 |

NOTES

This Data Port plate is used at the base of a panel in unused duplex cutout to connect computers and/or communication equipment.

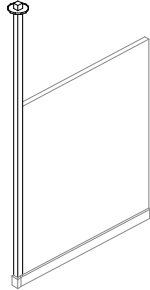
Data jacks should be top feed 90° type, not the back feed 180° type.

4 port locations and comes with 1 blank insert.

Available in BU, CW or SV finish

Electrical Distribution / continued

**CEILING POWER ENTRY
INTERNAL DIRECT
CONNECT 4-CIRCUIT**



| PART # | HEIGHT | WIDTH | DEPTH | WT. (LBS) | LIST |
|----------|--------|-------|-------|-----------|-------|
| FHCPE.39 | 39" | 3.5" | 3.5" | 13 | \$692 |
| FHCPE.47 | 47" | 3.5" | 3.5" | 13 | \$692 |
| FHCPE.53 | 53" | 3.5" | 3.5" | 13 | \$692 |
| FHCPE.67 | 67" | 3.5" | 3.5" | 13 | \$692 |
| FHCPE.85 | 85" | 3.5" | 3.5" | 13 | \$692 |

NOTES

Connects a ceiling electrical supply to the base of a powered panel.

Distributes up to four 20-amp circuits.

To attach at a:

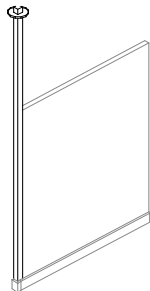
- 2-Way connection point, order a 3-Way connector
- 3-Way connection point, order a 4-Way connector
- end of a panel run, order a draw rod separately.

Includes a rigid 12' conduit when extended, encasing 14' of wire, 12' pole, bezel and end cap trim cover.

Pole can fit (70) cat. 6 cables along with power conduit.

MUST BE WIRED BY A LICENSED ELECTRICIAN.

**CEILING DATA ENTRY
NON-POWERED**



| PART # | HEIGHT | WIDTH | DEPTH | WT. (LBS) | LIST |
|----------|--------|-------|-------|-----------|-------|
| FHCDE.39 | 39" | 3.5" | 3.5" | 8 | \$312 |
| FHCDE.47 | 47" | 3.5" | 3.5" | 8 | \$312 |
| FHCDE.53 | 53" | 3.5" | 3.5" | 8 | \$312 |
| FHCDE.67 | 67" | 3.5" | 3.5" | 8 | \$312 |
| FHCDE.85 | 85" | 3.5" | 3.5" | 8 | \$312 |

NOTES

Routes data cables from the ceiling to the base of a panel.

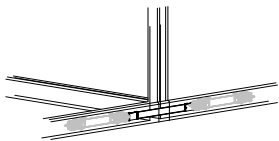
To attach at a:

- 2-Way connection point, order a 3-Way connector
- 3-Way connection point, order a 4-Way connector
- end of a panel run, order a Draw Rod separately.

Includes a rigid 12' conduit when extended, encasing 14' of wire, 12' pole, bezel and end cap trim cover.

Pole can fit (73) cat. 6 cables .

**POWER FESTOON
PANEL THROUGH POST**



| PART # | HEIGHT | WIDTH | DEPTH | WT. (LBS) | LIST |
|---------|--------|-------|-------|-----------|------|
| FHCPK.1 | 23" | — | — | 1 | \$88 |

NOTES

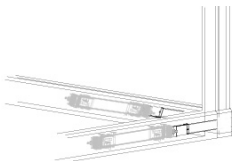
Extends power in a straight line through 3-Way or 4-Way connector.

Extends power through a 120° or 135° 2 or 3 way connector.

No festoon needed for straight line.

Included in power panel

**POWER FESTOON
90° ANGLE**



| PART # | HEIGHT | WIDTH | DEPTH | WT. (LBS) | LIST |
|----------|--------|-------|-------|-----------|------|
| FHCPK.90 | — | — | — | 1 | \$88 |

NOTES

Extends power at a 90° angle through a 2-Way, 3-Way or 4-Way connector.

No festoon needed for straight line.

Included in power panel

**POWER PANEL
CONVERSION KIT**

| PART # | HEIGHT | WIDTH | DEPTH | WT. (LBS) | LIST |
|-----------|--------|-------|-------|-----------|-------|
| FHPPCK.24 | — | 24" | — | 1 | \$225 |
| FHPPCK.30 | — | 30" | — | 2 | \$263 |
| FHPPCK.36 | — | 36" | — | 2 | \$289 |
| FHPPCK.42 | — | 42" | — | 2 | \$321 |
| FHPPCK.48 | — | 48" | — | 3 | \$353 |

NOTES

Includes:

- Power Retro
- Metal base cover with power cutouts
- Panel to panel festoon

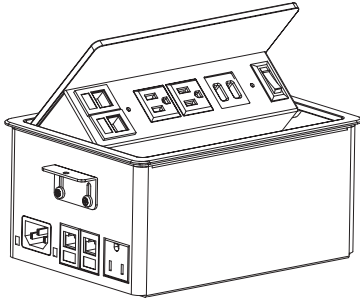
Order duplex outlets separately.

Specify base finish: DT, MT, CW, SV

Order the Power Festoon Through Post if you are converting a non-electrical panel in a straight line through a 3-Way or 4-Way connection.

Order the Power Festoon 90° Angle if you are converting a non-electrical panel at a 90° angle through a 2-Way, 3-Way or 4-Way connection.

Power Grommet Worksurface Mounted



DESCRIPTION

Worksurface mounted power/data grommet

NOTES

Includes 8' coiled power cord to connect to power source, or daisy chain to next power grommet
Optional 10' coiled power cord is sold separately

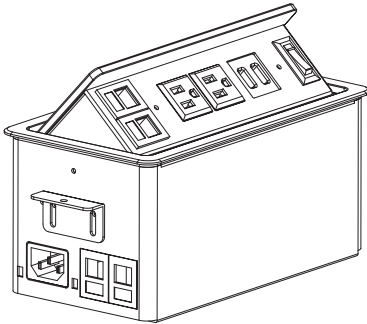
SPECIFICATION OPTIONS

product #: see charts below
finish: BA Brushed Aluminum, BC Brushed Charcoal or CW Cloud White (contact customer service for lead time)

ORDER EXAMPLE

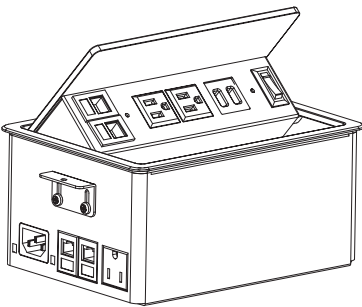
product #: FPWR.0608
finish: BA Brushed Aluminum

POWER GROMMET, 5x8



| PART # | HEIGHT | WIDTH | DEPTH | PRICE | NOTES |
|-----------|--------|-------|-------|-------|---|
| FPWR.0508 | | 8" | 5" | \$550 | <ul style="list-style-type: none"> Worksurface mounted power/data grommet, 5x8 Includes 8' coiled power cord to connect to power source Optional 10' coiled power cord is sold separately Above Worksurface: (2) CAT6 data ports (out), (2) power outlets, (2) USB ports Below Worksurface: (2) CAT6 data ports (in), (1) power outlet, Daisy Chain ports (in/out) |

POWER GROMMET, 6x8



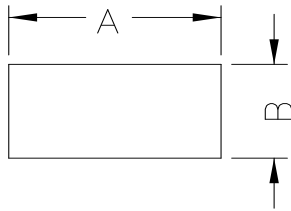
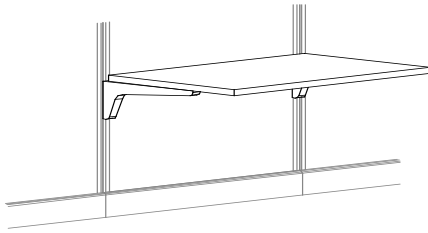
| PART # | HEIGHT | WIDTH | DEPTH | PRICE | NOTES |
|-----------|--------|-------|-------|-------|--|
| FPWR.0608 | | 8" | 6" | \$550 | <ul style="list-style-type: none"> Worksurface mounted power/data grommet, 6x8 Includes 8' coiled power cord to connect to power source Optional 10' coiled power cord is sold separately Above Worksurface: (2) CAT6 data ports (out), (2) power outlets, (2) USB ports Below Worksurface: (2) CAT6 data ports (in), (2) power outlets, Daisy Chain ports (in/out) |

GROMMET COILED POWER CORD

| PART # | HEIGHT | WIDTH | DEPTH | PRICE | NOTES |
|----------|--------|-------|-------|-------|---|
| FPWRC-10 | | 10' | | \$60 | <ul style="list-style-type: none"> Optional 10' coiled power is sold separately. |

WORKSURFACES

Rectangular



DESCRIPTION

Worksurface hangs from a panel or wall strips. It has a laminate top and a PVC edge. There is a 7/8" gap at the back of the worksurface for plug and cord passage. 60" to 84" worksurfaces have a center support. Includes cantilever brackets and attachment hardware.

NOTES

When spanning a 3-Way Connector, order the worksurface with "-3W" at the end of the part number.

Example: For a worksurface that would span two 30"W Panels with one 3-Way Connector, order the FHERWS.2460L-3W

SPECIFICATION OPTIONS

product #: see charts below
worksurface finish: see page 9
edge finish: see page 9
support finish: see page 10

ORDER EXAMPLE

product #: FHERWS.2424L
worksurface finish: M1, Light Maple
edge finish: E1, Light Maple
support finish: Cloud White

24" D WORKSURFACES

| PART # | HEIGHT | A | B | C | D | WT. (LBS) | LIST |
|--------------|--------|-----|-----|---|---|-----------|-------|
| FHERWS.2424L | 1.25" | 24" | 24" | — | — | 30 | \$245 |
| FHERWS.2430L | 1.25" | 30" | 24" | — | — | 36 | \$282 |
| FHERWS.2436L | 1.25" | 36" | 24" | — | — | 41 | \$290 |
| FHERWS.2442L | 1.25" | 42" | 24" | — | — | 47 | \$358 |
| FHERWS.2448L | 1.25" | 48" | 24" | — | — | 53 | \$366 |
| FHERWS.2454L | 1.25" | 54" | 24" | — | — | 58 | \$420 |
| FHERWS.2460L | 1.25" | 60" | 24" | — | — | 64 | \$455 |
| FHERWS.2466L | 1.25" | 66" | 24" | — | — | 70 | \$510 |
| FHERWS.2472L | 1.25" | 72" | 24" | — | — | 76 | \$523 |
| FHERWS.2478L | 1.25" | 78" | 24" | — | — | 81 | \$614 |
| FHERWS.2484L | 1.25" | 84" | 24" | — | — | 87 | \$619 |

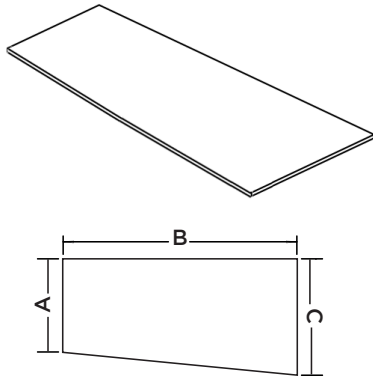
| PART # | HEIGHT | A | B | C | D | WT. (LBS) | LIST |
|-----------------|--------|-------|-----|---|---|-----------|-------|
| FHERWS.2424L-3W | 1.25" | 27.5" | 24" | — | — | 30 | \$352 |
| FHERWS.2430L-3W | 1.25" | 33.5" | 24" | — | — | 36 | \$388 |
| FHERWS.2436L-3W | 1.25" | 39.5" | 24" | — | — | 41 | \$397 |
| FHERWS.2442L-3W | 1.25" | 45.5" | 24" | — | — | 47 | \$463 |
| FHERWS.2448L-3W | 1.25" | 51.5" | 24" | — | — | 53 | \$473 |
| FHERWS.2454L-3W | 1.25" | 57.5" | 24" | — | — | 58 | \$526 |
| FHERWS.2460L-3W | 1.25" | 63.5" | 24" | — | — | 64 | \$562 |
| FHERWS.2466L-3W | 1.25" | 69.5" | 24" | — | — | 70 | \$616 |
| FHERWS.2472L-3W | 1.25" | 75.5" | 24" | — | — | 76 | \$628 |
| FHERWS.2478L-3W | 1.25" | 81.5" | 24" | — | — | 81 | \$719 |
| FHERWS.2484L-3W | 1.25" | 87.5" | 24" | — | — | 87 | \$725 |

30" D WORKSURFACES

| PART # | HEIGHT | A | B | C | D | WT. (LBS) | LIST |
|--------------|--------|-----|-----|---|---|-----------|-------|
| FHERWS.3024L | 1.25" | 24" | 30" | — | — | 38 | \$327 |
| FHERWS.3030L | 1.25" | 30" | 30" | — | — | 45 | \$373 |
| FHERWS.3036L | 1.25" | 36" | 30" | — | — | 53 | \$383 |
| FHERWS.3042L | 1.25" | 42" | 30" | — | — | 60 | \$460 |
| FHERWS.3048L | 1.25" | 48" | 30" | — | — | 66 | \$470 |
| FHERWS.3054L | 1.25" | 54" | 30" | — | — | 74 | \$534 |
| FHERWS.3060L | 1.25" | 60" | 30" | — | — | 81 | \$571 |
| FHERWS.3066L | 1.25" | 66" | 30" | — | — | 88 | \$638 |
| FHERWS.3072L | 1.25" | 72" | 30" | — | — | 95 | \$651 |
| FHERWS.3078L | 1.25" | 78" | 30" | — | — | 103 | \$763 |
| FHERWS.3084L | 1.25" | 84" | 30" | — | — | 111 | \$769 |

| PART # | HEIGHT | A | B | C | D | WT. (LBS) | LIST |
|-----------------|--------|-------|-----|---|---|-----------|-------|
| FHERWS.3024L-3W | 1.25" | 27.5" | 30" | — | — | 38 | \$433 |
| FHERWS.3030L-3W | 1.25" | 33.5" | 30" | — | — | 45 | \$480 |
| FHERWS.3036L-3W | 1.25" | 39.5" | 30" | — | — | 53 | \$488 |
| FHERWS.3042L-3W | 1.25" | 45.5" | 30" | — | — | 60 | \$565 |
| FHERWS.3048L-3W | 1.25" | 51.5" | 30" | — | — | 66 | \$576 |
| FHERWS.3054L-3W | 1.25" | 57.5" | 30" | — | — | 74 | \$640 |
| FHERWS.3060L-3W | 1.25" | 63.5" | 30" | — | — | 81 | \$678 |
| FHERWS.3066L-3W | 1.25" | 69.5" | 30" | — | — | 88 | \$744 |
| FHERWS.3072L-3W | 1.25" | 75.5" | 30" | — | — | 95 | \$757 |
| FHERWS.3078L-3W | 1.25" | 81.5" | 30" | — | — | 103 | \$870 |
| FHERWS.3084L-3W | 1.25" | 87.5" | 30" | — | — | 111 | \$876 |

Wedge



DESCRIPTION

Worksurface hangs from frames or wall strips. It has a laminate top and a PVC edge.

NOTES

- 78" and 84" worksurfaces will accept a 42" or 36"W lateral file
- 72"W worksurface will accept a 36"W lateral file
- 66"W worksurface will accept a 30"W lateral file
- Worksurfaces shorter than 48"W will not accept a pedestal
- Includes cantilever brackets and attachment hardware
- Mending plates are included with rectangular worksurfaces only.
- Order mending plates separately if placing this worksurface next to another non-rectangular worksurface.

SPECIFICATION OPTIONS

product #: see charts below
worksurface finish: see page 9
edge finish: see page 9

ORDER EXAMPLE

product #: FHWDWS.243030
worksurface finish: M1 Light Maple
edge finish: E1 Light Maple

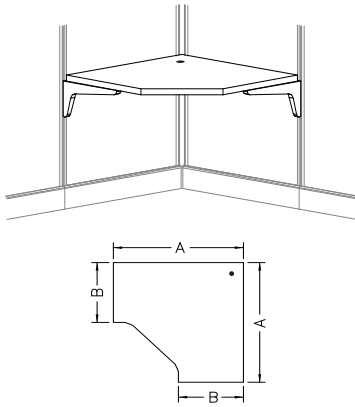
**24" D LEFT
 30" D RIGHT**

| PART # | HEIGHT | A | B | C | D | WT. (LBS) | LIST |
|---------------|--------|-----|-----|-----|---|-----------|-------|
| FHWDWS.243030 | 1.25" | 24" | 30" | 30" | — | 40 | \$390 |
| FHWDWS.243630 | 1.25" | 24" | 36" | 30" | — | 46 | \$400 |
| FHWDWS.244230 | 1.25" | 24" | 42" | 30" | — | 53 | \$481 |
| FHWDWS.244830 | 1.25" | 24" | 48" | 30" | — | 60 | \$491 |
| FHWDWS.245430 | 1.25" | 24" | 54" | 30" | — | 66 | \$558 |
| FHWDWS.246030 | 1.25" | 24" | 60" | 30" | — | 74 | \$597 |
| FHWDWS.246630 | 1.25" | 24" | 66" | 30" | — | 81 | \$667 |
| FHWDWS.247230 | 1.25" | 24" | 72" | 30" | — | 88 | \$681 |
| FHWDWS.247830 | 1.25" | 24" | 78" | 30" | — | 95 | \$798 |
| FHWDWS.248430 | 1.25" | 24" | 84" | 30" | — | 102 | \$804 |

**24" D RIGHT
 30" D LEFT**

| PART # | HEIGHT | A | B | C | D | WT. (LBS) | LIST |
|---------------|--------|-----|-----|-----|---|-----------|-------|
| FHWDWS.303024 | 1.25" | 30" | 30" | 24" | — | 40 | \$390 |
| FHWDWS.303624 | 1.25" | 30" | 36" | 24" | — | 46 | \$400 |
| FHWDWS.304224 | 1.25" | 30" | 42" | 24" | — | 53 | \$481 |
| FHWDWS.304824 | 1.25" | 30" | 48" | 24" | — | 60 | \$491 |
| FHWDWS.305424 | 1.25" | 30" | 54" | 24" | — | 66 | \$558 |
| FHWDWS.306024 | 1.25" | 30" | 60" | 24" | — | 74 | \$597 |
| FHWDWS.306624 | 1.25" | 30" | 66" | 24" | — | 81 | \$667 |
| FHWDWS.307224 | 1.25" | 30" | 72" | 24" | — | 88 | \$681 |
| FHWDWS.307824 | 1.25" | 30" | 78" | 24" | — | 95 | \$798 |
| FHWDWS.308424 | 1.25" | 30" | 84" | 24" | — | 102 | \$804 |

90° Notched and Curved Corner



DESCRIPTION

Worksurface hangs from a panel or wall strips. It has a laminate top and a PVC edge. There is a 7/8" gap at the back of the worksurface for plug and cord passage. It has 24"D or 30"D connecting sides. Includes cantilever brackets and attachment hardware.

NOTES

- Includes one wire grommet, cantilever brackets, one corner bracket, and attachment hardware.
- *Corners are angled (not available with notched front edge)
- Mending plates are included with rectangular worksurfaces only.
- Order mending plates separately if placing this worksurface next to another non-rectangular worksurface.

SPECIFICATION OPTIONS

product #: see charts below
worksurface finish: see page 9
edge finish: see page 9
support finish: see page 10

ORDER EXAMPLE

product #: FHECWS.2436L
worksurface finish: M1 Light Maple
edge finish: E1 Light Maple
support finish: Cloud White

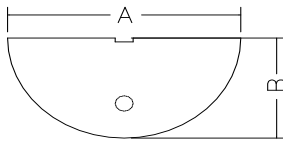
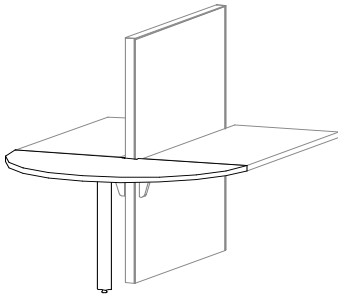
90° NOTCHED CORNER

| PART # | HEIGHT | A | B | C | D | WT. (LBS) | LIST | NOTES |
|--------------|--------|-------|-----|---|---|-----------|-------|--|
| FHECWS.2436L | 1.25" | 36" * | 24" | — | — | 53 | \$473 | * Corners are angled (not available with notched front edge) |
| FHECWS.2442L | 1.25" | 42" | 24" | — | — | 72 | \$584 | |
| FHECWS.2448L | 1.25" | 48" | 24" | — | — | 83 | \$619 | |
| FHECWS.3036L | 1.25" | 36" * | 30" | — | — | 60 | \$525 | |
| FHECWS.3042L | 1.25" | 42" * | 30" | — | — | 74 | \$636 | |
| FHECWS.3048L | 1.25" | 48" | 30" | — | — | 85 | \$670 | |

90° CURVED CORNER

| PART # | HEIGHT | A | B | C | D | WT. (LBS) | LIST |
|---------------|--------|-----|-----|---|---|-----------|-------|
| FHECCWS.2436L | 1.25" | 36" | 24" | — | — | 54 | \$473 |
| FHECCWS.2442L | 1.25" | 42" | 24" | — | — | 68 | \$584 |
| FHECCWS.2448L | 1.25" | 48" | 24" | — | — | 72 | \$619 |
| FHECCWS.3036L | 1.25" | 36" | 30" | — | — | 60 | \$525 |
| FHECCWS.3042L | 1.25" | 42" | 30" | — | — | 76 | \$636 |
| FHECCWS.3048L | 1.25" | 48" | 30" | — | — | 78 | \$670 |

Square Edge Half Circle



DESCRIPTION

This Half Circle worksurface has a notch and attaches to the end of two back to back rectangular or extended corner worksurfaces, and includes one support column leg. It has a laminate top and a PVC edge.

NOTES

- Support column leg has a leveling glide and attaching hardware
- Ships knocked down
- Column leg finish matches support.
- Mending plates are included with rectangular worksurfaces only.
- Order mending plates separately if placing this worksurface next to another non-rectangular worksurface

SPECIFICATION OPTIONS

product #: see charts below
worksurface finish: see page 9
edge finish: see page 9
support finish: see page 10

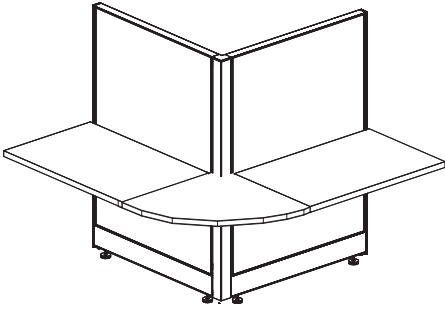
ORDER EXAMPLE

product #: FHEHCWS.50L
worksurface finish: M1 Light Maple
edge finish: E1 Light Maple
support finish: Cloud White

SQUARE EDGE HALF CIRCLE

| PART # | HEIGHT | A | B | C | D | WT. (LBS) | LIST |
|-------------|--------|-----|-----|---|---|-----------|---------|
| FHEHCWS.50L | 29" | 52" | 26" | — | — | 55 | \$889 |
| FHEHCWS.60L | 29" | 64" | 32" | — | — | 67 | \$1,003 |

Quarter Round Top



DESCRIPTION

This Worksurface attaches to the end of two worksurfaces at a 90° angle (as shown in image). It has a laminate top, and a PVC edge. Attachment hardware included

NOTES

- Ships unassembled
- Includes (1) pair shared cantilevers & mending plates

SPECIFICATION OPTIONS

product #: see charts below
edge finish: 3MM PVC, See page 9
worksurface finish: See page 9
support finish: See see page 10

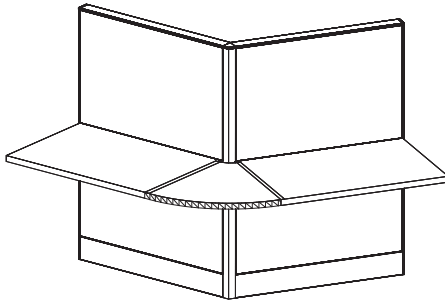
ORDER EXAMPLE

product #: FHEQWS.24L
edge finish: E1
worksurface finish: M1
support finish: CW

QUARTER ROUND TOPS

| PART # | HEIGHT | DEPTH | PRICE | NOTES |
|------------|--------|-------|-------|---------------------|
| FHEQWS.24L | 1.25" | 24" | \$458 | • Notched for 2 Way |

120 ° WEDGE Top



DESCRIPTION

This Worksurface attaches to the end of two worksurfaces at a 120 ° angle (as shown in image). It has a laminate top, and a PVC edge. Attachment hardware included

NOTES

- Ships unassembled
- Includes (1) pair shared cantilevers & mending plates

SPECIFICATION OPTIONS

product #: see charts below
edge finish: 3MM PVC, See page 9
worksurface finish: See page 9
support finish: See page 10

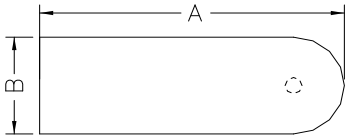
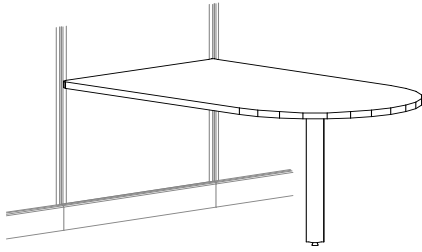
ORDER EXAMPLE

product #: FH120QWG.24
edge finish: E1
worksurface finish: M1
support finish: CW

120° WEDGE TOPS

| PART # | HEIGHT | DEPTH | PRICE | NOTES |
|-------------|--------|-------|--------|---------------------|
| FH120WDG.24 | 1.25" | 24" | \$ 458 | • Notched for 2 Way |

Square Edge D-Shaped



DESCRIPTION

Worksurface hangs from a panel or wall strips. It has a laminate top and a PVC edge. There is a 7/8" gap at the back of the worksurface for plug and cord passage. Includes one support column leg.

NOTES

- Support column leg has a leveling glide and attaching hardware
- Ships knocked down
- Column leg finish matches support.
- Mending plates are included with rectangular worksurfaces only.
- Order mending plates separately if placing this worksurface next to another non-rectangular worksurface

SPECIFICATION OPTIONS

product #: see charts below
worksurface finish: see page 9
edge finish: see page 9
support finish: page 10

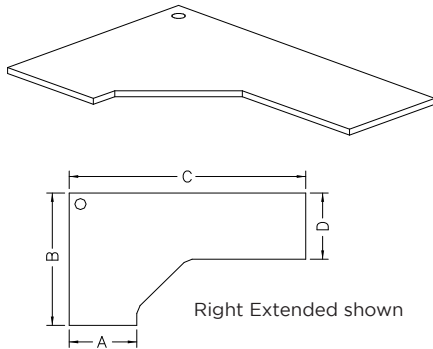
ORDER EXAMPLE

product #: FHEDSP.2448L
worksurface finish: M1 Light Maple
edge finish: E1 Light Maple
support finish: CW, Cloud White

SQUARE EDGE D-SHAPED

| PART # | HEIGHT | A | B | C | D | WT. (LBS) | LIST |
|--------------|--------|-----|-----|---|---|-----------|-------|
| FHEDSP.2448L | 29" | 48" | 24" | — | — | 62 | \$537 |
| FHEDSP.3048L | 29" | 48" | 30" | — | — | 72 | \$587 |
| FHEDSP.2460L | 29" | 60" | 24" | — | — | 73 | \$597 |
| FHEDSP.3060L | 29" | 60" | 30" | — | — | 87 | \$651 |
| FHEDSP.3072L | 29" | 72" | 30" | — | — | 101 | \$712 |
| FHEDSP.3672L | 29" | 72" | 36" | — | — | 117 | \$785 |

90° Extended Notched Corner



DESCRIPTION

Worksurface hangs from a panel or wall strips. It has a laminate top and a PVC edge. There is a 7/8" gap at the back of the worksurface for plug and cord passage. 60" to 84" worksurfaces have a center support.

SPECIFICATION OPTIONS

product #: see charts below
worksurface finish: see page 9
edge finish: see page 9
support finish: page 10
left or right extended: L for Left, R for Right

NOTES

- Includes one wire grommet, cantilever brackets, one corner bracket, and attachment hardware
- Specify L for left extended, and R for right extended.
- Mending plates are included with rectangular worksurfaces only.
- Order mending plates separately if placing this worksurface next to another non-rectangular worksurface

ORDER EXAMPLE

product #: FHENCWS.24363024L
worksurface finish: M1 Light Maple
edge finish: E1, Light Maple
support finish: Cloud White
left or right extended: L

When ordering a worksurface spanning a panel and a 3-Way or spacer connector or 2 panels with a 3-Way or spacer connector in between the panels, you will need to:

- add 3.5" to the length of the worksurface
- add "-3W" to the part number
- add \$80 to the list price

Please note: the spacer connector can only be added to the "C" side

24" D CONNECTING SIDE 24" D EXTENSION 36" D

| PART # | HEIGHT | A | B | C | D | WT. (LBS) | LIST |
|-------------------|--------|-----|-----|-----|-----|-----------|-------|
| FHENCWS.24366024L | 1.25" | 24" | 36" | 60" | 24" | 74 | \$628 |
| FHENCWS.24366024R | 1.25" | 24" | 36" | 60" | 24" | 74 | \$628 |
| FHENCWS.24366624L | 1.25" | 24" | 36" | 66" | 24" | 81 | \$700 |
| FHENCWS.24366624R | 1.25" | 24" | 36" | 66" | 24" | 81 | \$700 |
| FHENCWS.24367224L | 1.25" | 24" | 36" | 72" | 24" | 87 | \$711 |
| FHENCWS.24367224R | 1.25" | 24" | 36" | 72" | 24" | 87 | \$711 |
| FHENCWS.24367824L | 1.25" | 24" | 36" | 78" | 24" | 93 | \$852 |
| FHENCWS.24367824R | 1.25" | 24" | 36" | 78" | 24" | 93 | \$852 |
| FHENCWS.24368424L | 1.25" | 24" | 36" | 84" | 24" | 99 | \$861 |
| FHENCWS.24368424R | 1.25" | 24" | 36" | 84" | 24" | 99 | \$861 |

90° Extended Notched Corner / continued

**30" D CONNECTING SIDE
30" D EXTENSION
36" D**

| PART # | HEIGHT | A | B | C | D | WT. (LBS) | LIST |
|-------------------|--------|-----|-----|-----|-----|-----------|-------|
| FHENCWS.30366030L | 1.25" | 30" | 36" | 60" | 30" | 88 | \$688 |
| FHENCWS.30366030R | 1.25" | 30" | 36" | 60" | 30" | 88 | \$688 |
| FHENCWS.30366630L | 1.25" | 30" | 36" | 66" | 30" | 95 | \$758 |
| FHENCWS.30366630R | 1.25" | 30" | 36" | 66" | 30" | 95 | \$758 |
| FHENCWS.30367230L | 1.25" | 30" | 36" | 72" | 30" | 102 | \$769 |
| FHENCWS.30367230R | 1.25" | 30" | 36" | 72" | 30" | 102 | \$769 |
| FHENCWS.30367830L | 1.25" | 30" | 36" | 78" | 30" | 110 | \$911 |
| FHENCWS.30367830R | 1.25" | 30" | 36" | 78" | 30" | 110 | \$911 |
| FHENCWS.30368430L | 1.25" | 30" | 36" | 84" | 30" | 117 | \$919 |
| FHENCWS.30368430R | 1.25" | 30" | 36" | 84" | 30" | 117 | \$919 |

**24" D CONNECTING SIDE
24" D EXTENSION
42" D**

| PART # | HEIGHT | A | B | C | D | WT. (LBS) | LIST |
|-------------------|--------|-----|-----|-----|-----|-----------|---------|
| FHENCWS.24426024L | 1.25" | 24" | 42" | 60" | 24" | 84 | \$756 |
| FHENCWS.24426024R | 1.25" | 24" | 42" | 60" | 24" | 84 | \$756 |
| FHENCWS.24426624L | 1.25" | 24" | 42" | 66" | 24" | 91 | \$850 |
| FHENCWS.24426624R | 1.25" | 24" | 42" | 66" | 24" | 91 | \$850 |
| FHENCWS.24427224L | 1.25" | 24" | 42" | 72" | 24" | 97 | \$863 |
| FHENCWS.24427224R | 1.25" | 24" | 42" | 72" | 24" | 97 | \$863 |
| FHENCWS.24427824L | 1.25" | 24" | 42" | 78" | 24" | 103 | \$1,045 |
| FHENCWS.24427824R | 1.25" | 24" | 42" | 78" | 24" | 103 | \$1,045 |
| FHENCWS.24428424L | 1.25" | 24" | 42" | 84" | 24" | 109 | \$1,058 |
| FHENCWS.24428424R | 1.25" | 24" | 42" | 84" | 24" | 109 | \$1,058 |

**30" D CONNECTING SIDE
30" D EXTENSION
42" D**

| PART # | HEIGHT | A | B | C | D | WT. (LBS) | LIST |
|-------------------|--------|-----|-----|-----|-----|-----------|---------|
| FHENCWS.30426030L | 1.25" | 30" | 42" | 60" | 30" | 98 | \$814 |
| FHENCWS.30426030R | 1.25" | 30" | 42" | 60" | 30" | 98 | \$814 |
| FHENCWS.30426630L | 1.25" | 30" | 42" | 66" | 30" | 106 | \$909 |
| FHENCWS.30426630R | 1.25" | 30" | 42" | 66" | 30" | 106 | \$909 |
| FHENCWS.30427230L | 1.25" | 30" | 42" | 72" | 30" | 112 | \$921 |
| FHENCWS.30427230R | 1.25" | 30" | 42" | 72" | 30" | 112 | \$921 |
| FHENCWS.30427830L | 1.25" | 30" | 42" | 78" | 30" | 122 | \$1,104 |
| FHENCWS.30427830R | 1.25" | 30" | 42" | 78" | 30" | 122 | \$1,104 |
| FHENCWS.30428430L | 1.25" | 30" | 42" | 84" | 30" | 127 | \$1,117 |
| FHENCWS.30428430R | 1.25" | 30" | 42" | 84" | 30" | 127 | \$1,117 |

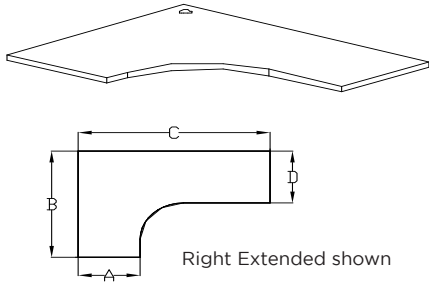
**24" D CONNECTING SIDE
24" D EXTENSION
48" D**

| PART # | HEIGHT | A | B | C | D | WT. (LBS) | LIST |
|-------------------|--------|-----|-----|-----|-----|-----------|---------|
| FHENCWS.24486024L | 1.25" | 24" | 48" | 60" | 24" | 93 | \$767 |
| FHENCWS.24486024R | 1.25" | 24" | 48" | 60" | 24" | 93 | \$767 |
| FHENCWS.24486624L | 1.25" | 24" | 48" | 66" | 24" | 99 | \$863 |
| FHENCWS.24486624R | 1.25" | 24" | 48" | 66" | 24" | 99 | \$863 |
| FHENCWS.24487224L | 1.25" | 24" | 48" | 72" | 24" | 104 | \$882 |
| FHENCWS.24487224R | 1.25" | 24" | 48" | 72" | 24" | 104 | \$882 |
| FHENCWS.24487824L | 1.25" | 24" | 48" | 78" | 24" | 110 | \$1,075 |
| FHENCWS.24487824R | 1.25" | 24" | 48" | 78" | 24" | 110 | \$1,075 |
| FHENCWS.24488424L | 1.25" | 24" | 48" | 84" | 24" | 116 | \$1,080 |
| FHENCWS.24488424R | 1.25" | 24" | 48" | 84" | 24" | 116 | \$1,080 |

**30" D CONNECTING SIDE
30" D EXTENSION
48" D**

| PART # | HEIGHT | A | B | C | D | WT. (LBS) | LIST |
|-------------------|--------|-----|-----|-----|-----|-----------|---------|
| FHENCWS.30486030L | 1.25" | 30" | 48" | 60" | 30" | 108 | \$826 |
| FHENCWS.30486030R | 1.25" | 30" | 48" | 60" | 30" | 108 | \$826 |
| FHENCWS.30486630L | 1.25" | 30" | 48" | 66" | 30" | 116 | \$921 |
| FHENCWS.30486630R | 1.25" | 30" | 48" | 66" | 30" | 116 | \$921 |
| FHENCWS.30487230L | 1.25" | 30" | 48" | 72" | 30" | 123 | \$942 |
| FHENCWS.30487230R | 1.25" | 30" | 48" | 72" | 30" | 123 | \$942 |
| FHENCWS.30487830L | 1.25" | 30" | 48" | 78" | 30" | 134 | \$1,133 |
| FHENCWS.30487830R | 1.25" | 30" | 48" | 78" | 30" | 134 | \$1,133 |
| FHENCWS.30488430L | 1.25" | 30" | 48" | 84" | 30" | 146 | \$1,139 |
| FHENCWS.30488430R | 1.25" | 30" | 48" | 84" | 30" | 146 | \$1,139 |

90° Extended Curved Corner



DESCRIPTION

Worksurface hangs from a panel or wall strips. It has a laminate top and a PVC edge. There is a 7/8" gap at the back of the worksurface for plug and cord passage. 60" to 84" worksurfaces have a center support.

NOTES

- Includes one wire grommet, cantilever brackets, one corner bracket, and attachment hardware
- Specify L for left extended, and R for right extended.
- Mending plates are included with rectangular worksurfaces only.
- Order mending plates separately if placing this worksurface next to another non-rectangular worksurface

When ordering a worksurface spanning a panel and a 3-Way or spacer connector or 2 panels with a 3-Way or spacer connector in between the panels, you will need to:

- add 3.5" to the length of the worksurface
- add "-3W" to the part number
- add \$80 to the list price

Please note: the spacer connector can only be added to the "C" side

SPECIFICATION OPTIONS

product #: see charts below
worksurface finish: see page 9
edge finish: see page 9
support finish: page 10
left or right extended: L for Left, R for Right

ORDER EXAMPLE

product #: FHECCWWS.24366024L
worksurface finish: M1 Light Maple
edge finish: E1, Light Maple
support finish: Cloud White
left or right extended: L

24" D CONNECTING SIDE 24" D EXTENSION 36" D

| PART # | HEIGHT | A | B | C | D | WT. (LBS) | LIST |
|-------------------|--------|-----|-----|-----|-----|-----------|-------|
| FHECCWS.24366024L | 1.25" | 24" | 36" | 60" | 24" | 76 | \$628 |
| FHECCWS.24366024R | 1.25" | 24" | 36" | 60" | 24" | 76 | \$628 |
| FHECCWS.24366624L | 1.25" | 24" | 36" | 66" | 24" | 82 | \$700 |
| FHECCWS.24366624R | 1.25" | 24" | 36" | 66" | 24" | 82 | \$700 |
| FHECCWS.24367224L | 1.25" | 24" | 36" | 72" | 24" | 88 | \$711 |
| FHECCWS.24367224R | 1.25" | 24" | 36" | 72" | 24" | 88 | \$711 |
| FHECCWS.24367824L | 1.25" | 24" | 36" | 78" | 24" | 94 | \$852 |
| FHECCWS.24367824R | 1.25" | 24" | 36" | 78" | 24" | 94 | \$852 |
| FHECCWS.24368424L | 1.25" | 24" | 36" | 84" | 24" | 100 | \$861 |
| FHECCWS.24368424R | 1.25" | 24" | 36" | 84" | 24" | 100 | \$861 |

**30" D CONNECTING SIDE
30" D EXTENSION
36" D**

| PART # | HEIGHT | A | B | C | D | WT. (LBS) | LIST |
|-------------------|--------|-----|-----|-----|-----|-----------|-------|
| FHECCWS.30366030L | 1.25" | 30" | 36" | 60" | 30" | 87 | \$688 |
| FHECCWS.30366030R | 1.25" | 30" | 36" | 60" | 30" | 87 | \$688 |
| FHECCWS.30366630L | 1.25" | 30" | 36" | 66" | 30" | 95 | \$758 |
| FHECCWS.30366630R | 1.25" | 30" | 36" | 66" | 30" | 95 | \$758 |
| FHECCWS.30367230L | 1.25" | 30" | 36" | 72" | 30" | 102 | \$769 |
| FHECCWS.30367230R | 1.25" | 30" | 36" | 72" | 30" | 102 | \$769 |
| FHECCWS.30367830L | 1.25" | 30" | 36" | 78" | 30" | 110 | \$911 |
| FHECCWS.30367830R | 1.25" | 30" | 36" | 78" | 30" | 110 | \$911 |
| FHECCWS.30368430L | 1.25" | 30" | 36" | 84" | 30" | 117 | \$919 |
| FHECCWS.30368430R | 1.25" | 30" | 36" | 84" | 30" | 117 | \$919 |

**24" D CONNECTING SIDE
24" D EXTENSION
42" D**

| PART # | HEIGHT | A | B | C | D | WT. (LBS) | LIST |
|-------------------|--------|-----|-----|-----|-----|-----------|---------|
| FHECCWS.24426024L | 1.25" | 24" | 42" | 60" | 24" | 83 | \$756 |
| FHECCWS.24426024R | 1.25" | 24" | 42" | 60" | 24" | 83 | \$756 |
| FHECCWS.24426624L | 1.25" | 24" | 42" | 66" | 24" | 89 | \$850 |
| FHECCWS.24426624R | 1.25" | 24" | 42" | 66" | 24" | 89 | \$850 |
| FHECCWS.24427224L | 1.25" | 24" | 42" | 72" | 24" | 95 | \$863 |
| FHECCWS.24427224R | 1.25" | 24" | 42" | 72" | 24" | 95 | \$863 |
| FHECCWS.24427824L | 1.25" | 24" | 42" | 78" | 24" | 101 | \$1,045 |
| FHECCWS.24427824R | 1.25" | 24" | 42" | 78" | 24" | 101 | \$1,045 |
| FHECCWS.24428424L | 1.25" | 24" | 42" | 84" | 24" | 106 | \$1,058 |
| FHECCWS.24428424R | 1.25" | 24" | 42" | 84" | 24" | 106 | \$1,058 |

**30" D CONNECTING SIDE
30" D EXTENSION
42" D**

| PART # | HEIGHT | A | B | C | D | WT. (LBS) | LIST |
|-------------------|--------|-----|-----|-----|-----|-----------|---------|
| FHECCWS.30426030L | 1.25" | 30" | 42" | 60" | 30" | 95 | \$814 |
| FHECCWS.30426030R | 1.25" | 30" | 42" | 60" | 30" | 95 | \$814 |
| FHECCWS.30426630L | 1.25" | 30" | 42" | 66" | 30" | 103 | \$909 |
| FHECCWS.30426630R | 1.25" | 30" | 42" | 66" | 30" | 103 | \$909 |
| FHECCWS.30427230L | 1.25" | 30" | 42" | 72" | 30" | 110 | \$921 |
| FHECCWS.30427230R | 1.25" | 30" | 42" | 72" | 30" | 110 | \$921 |
| FHECCWS.30427830L | 1.25" | 30" | 42" | 78" | 30" | 118 | \$1,104 |
| FHECCWS.30427830R | 1.25" | 30" | 42" | 78" | 30" | 118 | \$1,104 |
| FHECCWS.30428430L | 1.25" | 30" | 42" | 84" | 30" | 125 | \$1,117 |
| FHECCWS.30428430R | 1.25" | 30" | 42" | 84" | 30" | 125 | \$1,117 |

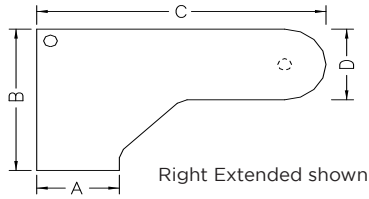
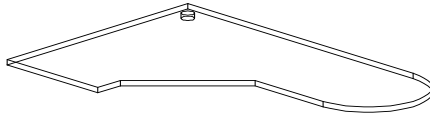
90° Extended Curved Corner / continued**24" D CONNECTING SIDE
24" D EXTENSION
48" D**

| PART # | HEIGHT | A | B | C | D | WT. (LBS) | LIST |
|-------------------|--------|-----|-----|-----|-----|-----------|---------|
| FHECCWS.24486024L | 1.25" | 24" | 48" | 60" | 24" | 89 | \$767 |
| FHECCWS.24486024R | 1.25" | 24" | 48" | 60" | 24" | 89 | \$767 |
| FHECCWS.24486624L | 1.25" | 24" | 48" | 66" | 24" | 95 | \$863 |
| FHECCWS.24486624R | 1.25" | 24" | 48" | 66" | 24" | 95 | \$863 |
| FHECCWS.24487224L | 1.25" | 24" | 48" | 72" | 24" | 101 | \$882 |
| FHECCWS.24487224R | 1.25" | 24" | 48" | 72" | 24" | 101 | \$882 |
| FHECCWS.24487824L | 1.25" | 24" | 48" | 78" | 24" | 107 | \$1,075 |
| FHECCWS.24487824R | 1.25" | 24" | 48" | 78" | 24" | 107 | \$1,075 |
| FHECCWS.24488424L | 1.25" | 24" | 48" | 84" | 24" | 112 | \$1,080 |
| FHECCWS.24488424R | 1.25" | 24" | 48" | 84" | 24" | 112 | \$1,080 |

**30" D CONNECTING SIDE
30" D EXTENSION
48" D**

| PART # | HEIGHT | A | B | C | D | WT. (LBS) | LIST |
|-------------------|--------|-----|-----|-----|-----|-----------|---------|
| FHECCWS.30486030L | 1.25" | 30" | 48" | 60" | 30" | 104 | \$826 |
| FHECCWS.30486030R | 1.25" | 30" | 48" | 60" | 30" | 104 | \$826 |
| FHECCWS.30486630L | 1.25" | 30" | 48" | 66" | 30" | 112 | \$921 |
| FHECCWS.30486630R | 1.25" | 30" | 48" | 66" | 30" | 112 | \$921 |
| FHECCWS.30487230L | 1.25" | 30" | 48" | 72" | 30" | 119 | \$942 |
| FHECCWS.30487230R | 1.25" | 30" | 48" | 72" | 30" | 119 | \$942 |
| FHECCWS.30487830L | 1.25" | 30" | 48" | 78" | 30" | 126 | \$1,133 |
| FHECCWS.30487830R | 1.25" | 30" | 48" | 78" | 30" | 126 | \$1,133 |
| FHECCWS.30488430L | 1.25" | 30" | 48" | 84" | 30" | 133 | \$1,139 |
| FHECCWS.30488430R | 1.25" | 30" | 48" | 84" | 30" | 133 | \$1,139 |

90° Extended Notched Corner Peninsula



DESCRIPTION

Worksurface hangs from a panel or wall strips. It has a laminate top and a PVC edge. There is a 7/8" gap at the back of the worksurface for plug and cord passage.

SPECIFICATION OPTIONS

product #: see charts below
worksurface finish: see page 9
edge finish: see page 9
support finish: page 10
left or right extended: L for Left, R for Right

NOTES

- Includes one wire grommet, cantilever brackets, one corner bracket, and attachment hardware
- Specify L for left extended, and R for right extended
- Includes one support column leg
- Column leg finish matches support
- Mending plates are included with rectangular worksurfaces only.
- Order mending plates separately if placing this worksurface next to another non-rectangular worksurface

ORDER EXAMPLE

product #: FHENCPWS.24366024L
worksurface finish: M1 Light Maple
edge finish: E1 Light Maple
support finish: CW, Cloud White
left or right extended: L

24" D CONNECTING SIDE 24" D EXTENSION 36" D

| PART # | HEIGHT | A | B | C | D | WT. (LBS) | LIST |
|--------------------|--------|-----|-----|-----|-----|-----------|---------|
| FHENCPWS.24366024L | 1.25" | 24" | 36" | 60" | 24" | 89 | \$861 |
| FHENCPWS.24366024R | 1.25" | 24" | 36" | 60" | 24" | 89 | \$861 |
| FHENCPWS.24366624L | 1.25" | 24" | 36" | 66" | 24" | 95 | \$945 |
| FHENCPWS.24366624R | 1.25" | 24" | 36" | 66" | 24" | 95 | \$945 |
| FHENCPWS.24367224L | 1.25" | 24" | 36" | 72" | 24" | 101 | \$965 |
| FHENCPWS.24367224R | 1.25" | 24" | 36" | 72" | 24" | 101 | \$965 |
| FHENCPWS.24367824L | 1.25" | 24" | 36" | 78" | 24" | 107 | \$1,120 |
| FHENCPWS.24367824R | 1.25" | 24" | 36" | 78" | 24" | 107 | \$1,120 |
| FHENCPWS.24368424L | 1.25" | 24" | 36" | 84" | 24" | 112 | \$1,143 |
| FHENCPWS.24368424R | 1.25" | 24" | 36" | 84" | 24" | 112 | \$1,143 |

24" D CONNECTING SIDE 24" D EXTENSION 42" D

| PART # | HEIGHT | A | B | C | D | WT. (LBS) | LIST |
|--------------------|--------|-----|-----|-----|-----|-----------|---------|
| FHENCPWS.24426024L | 1.25" | 24" | 42" | 60" | 24" | 97 | \$978 |
| FHENCPWS.24426024R | 1.25" | 24" | 42" | 60" | 24" | 97 | \$978 |
| FHENCPWS.24426624L | 1.25" | 24" | 42" | 66" | 24" | 103 | \$1,084 |
| FHENCPWS.24426624R | 1.25" | 24" | 42" | 66" | 24" | 103 | \$1,084 |
| FHENCPWS.24427224L | 1.25" | 24" | 42" | 72" | 24" | 109 | \$1,104 |
| FHENCPWS.24427224R | 1.25" | 24" | 42" | 72" | 24" | 109 | \$1,104 |
| FHENCPWS.24427824L | 1.25" | 24" | 42" | 78" | 24" | 114 | \$1,341 |
| FHENCPWS.24427824R | 1.25" | 24" | 42" | 78" | 24" | 114 | \$1,341 |
| FHENCPWS.24428424L | 1.25" | 24" | 42" | 84" | 24" | 120 | \$1,347 |
| FHENCPWS.24428424R | 1.25" | 24" | 42" | 84" | 24" | 120 | \$1,347 |

90° Extended Notched Corner Peninsula / continued

24" D CONNECTING SIDE
24" D EXTENSION
48" D

| PART # | HEIGHT | A | B | C | D | WT. (LBS) | LIST |
|---------------------|--------|-----|-----|-----|-----|-----------|---------|
| FHENC PWS.24486024L | 1.25" | 24" | 48" | 60" | 24" | 104 | \$983 |
| FHENC PWS.24486024R | 1.25" | 24" | 48" | 60" | 24" | 104 | \$983 |
| FHENC PWS.24486624L | 1.25" | 24" | 48" | 66" | 24" | 110 | \$1,090 |
| FHENC PWS.24486624R | 1.25" | 24" | 48" | 66" | 24" | 110 | \$1,090 |
| FHENC PWS.24487224L | 1.25" | 24" | 48" | 72" | 24" | 116 | \$1,110 |
| FHENC PWS.24487224R | 1.25" | 24" | 48" | 72" | 24" | 116 | \$1,110 |
| FHENC PWS.24487824L | 1.25" | 24" | 48" | 78" | 24" | 121 | \$1,347 |
| FHENC PWS.24487824R | 1.25" | 24" | 48" | 78" | 24" | 121 | \$1,347 |
| FHENC PWS.24488424L | 1.25" | 24" | 48" | 84" | 24" | 127 | \$1,352 |
| FHENC PWS.24488424R | 1.25" | 24" | 48" | 84" | 24" | 127 | \$1,352 |

24" D CONNECTING SIDE
30" D EXTENSION
36" D

| PART # | HEIGHT | A | B | C | D | WT. (LBS) | LIST |
|---------------------|--------|-----|-----|-----|-----|-----------|-------|
| FHENC PWS.24366030L | 1.25" | 24" | 36" | 60" | 30" | 94 | \$749 |
| FHENC PWS.24366030R | 1.25" | 24" | 36" | 60" | 30" | 94 | \$749 |
| FHENC PWS.24366630L | 1.25" | 24" | 36" | 66" | 30" | 102 | \$822 |
| FHENC PWS.24366630R | 1.25" | 24" | 36" | 66" | 30" | 102 | \$822 |
| FHENC PWS.24367230L | 1.25" | 24" | 36" | 72" | 30" | 109 | \$839 |
| FHENC PWS.24367230R | 1.25" | 24" | 36" | 72" | 30" | 109 | \$839 |
| FHENC PWS.24367830L | 1.25" | 24" | 36" | 78" | 30" | 116 | \$974 |
| FHENC PWS.24367830R | 1.25" | 24" | 36" | 78" | 30" | 116 | \$974 |
| FHENC PWS.24368430L | 1.25" | 24" | 36" | 84" | 30" | 123 | \$994 |
| FHENC PWS.24368430R | 1.25" | 24" | 36" | 84" | 30" | 123 | \$994 |

24" D CONNECTING SIDE
30" D EXTENSION
42" D

| PART # | HEIGHT | A | B | C | D | WT. (LBS) | LIST |
|---------------------|--------|-----|-----|-----|-----|-----------|---------|
| FHENC PWS.24426030L | 1.25" | 24" | 42" | 60" | 30" | 102 | \$978 |
| FHENC PWS.24426030R | 1.25" | 24" | 42" | 60" | 30" | 102 | \$978 |
| FHENC PWS.24426630L | 1.25" | 24" | 42" | 66" | 30" | 110 | \$1,084 |
| FHENC PWS.24426630R | 1.25" | 24" | 42" | 66" | 30" | 110 | \$1,084 |
| FHENC PWS.24427230L | 1.25" | 24" | 42" | 72" | 30" | 117 | \$1,104 |
| FHENC PWS.24427230R | 1.25" | 24" | 42" | 72" | 30" | 117 | \$1,104 |
| FHENC PWS.24427830L | 1.25" | 24" | 42" | 78" | 30" | 124 | \$1,341 |
| FHENC PWS.24427830R | 1.25" | 24" | 42" | 78" | 30" | 124 | \$1,341 |
| FHENC PWS.24428430L | 1.25" | 24" | 42" | 84" | 30" | 131 | \$1,347 |
| FHENC PWS.24428430R | 1.25" | 24" | 42" | 84" | 30" | 131 | \$1,347 |

**24" D CONNECTING SIDE
30" D EXTENSION
48" D**

| PART # | HEIGHT | A | B | C | D | WT. (LBS) | LIST |
|--------------------|--------|-----|-----|-----|-----|-----------|---------|
| FHENCPCS.24486030L | 1.25" | 24" | 48" | 60" | 30" | 111 | \$983 |
| FHENCPCS.24486030R | 1.25" | 24" | 48" | 60" | 30" | 111 | \$983 |
| FHENCPCS.24486630L | 1.25" | 24" | 48" | 66" | 30" | 119 | \$1,090 |
| FHENCPCS.24486630R | 1.25" | 24" | 48" | 66" | 30" | 119 | \$1,090 |
| FHENCPCS.24487230L | 1.25" | 24" | 48" | 72" | 30" | 126 | \$1,110 |
| FHENCPCS.24487230R | 1.25" | 24" | 48" | 72" | 30" | 126 | \$1,110 |
| FHENCPCS.24487830L | 1.25" | 24" | 48" | 78" | 30" | 133 | \$1,347 |
| FHENCPCS.24487830R | 1.25" | 24" | 48" | 78" | 30" | 133 | \$1,347 |
| FHENCPCS.24488430L | 1.25" | 24" | 48" | 84" | 30" | 140 | \$1,352 |
| FHENCPCS.24488430R | 1.25" | 24" | 48" | 84" | 30" | 140 | \$1,352 |

**30" D CONNECTING SIDE
30" D EXTENSION
36" D**

| PART # | HEIGHT | A | B | C | D | WT. (LBS) | LIST |
|--------------------|--------|-----|-----|-----|-----|-----------|---------|
| FHENCPCS.30366030L | 1.25" | 30" | 36" | 60" | 30" | 95 | \$919 |
| FHENCPCS.30366030R | 1.25" | 30" | 36" | 60" | 30" | 95 | \$919 |
| FHENCPCS.30366630L | 1.25" | 30" | 36" | 66" | 30" | 103 | \$1,004 |
| FHENCPCS.30366630R | 1.25" | 30" | 36" | 66" | 30" | 103 | \$1,004 |
| FHENCPCS.30367230L | 1.25" | 30" | 36" | 72" | 30" | 110 | \$1,025 |
| FHENCPCS.30367230R | 1.25" | 30" | 36" | 72" | 30" | 110 | \$1,025 |
| FHENCPCS.30367830L | 1.25" | 30" | 36" | 78" | 30" | 118 | \$1,179 |
| FHENCPCS.30367830R | 1.25" | 30" | 36" | 78" | 30" | 118 | \$1,179 |
| FHENCPCS.30368430L | 1.25" | 30" | 36" | 84" | 30" | 125 | \$1,203 |
| FHENCPCS.30368430R | 1.25" | 30" | 36" | 84" | 30" | 125 | \$1,203 |

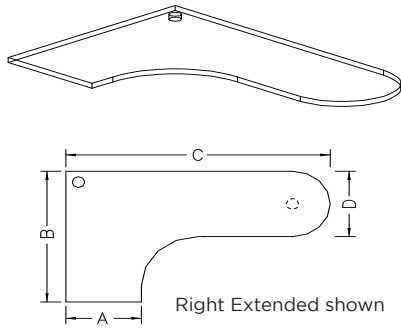
**30" D CONNECTING SIDE
30" D EXTENSION
42" D**

| PART # | HEIGHT | A | B | C | D | WT. (LBS) | LIST |
|--------------------|--------|-----|-----|-----|-----|-----------|---------|
| FHENCPCS.30426030L | 1.25" | 30" | 42" | 60" | 30" | 106 | \$1,037 |
| FHENCPCS.30426030R | 1.25" | 30" | 42" | 60" | 30" | 106 | \$1,037 |
| FHENCPCS.30426630L | 1.25" | 30" | 42" | 66" | 30" | 114 | \$1,144 |
| FHENCPCS.30426630R | 1.25" | 30" | 42" | 66" | 30" | 114 | \$1,144 |
| FHENCPCS.30427230L | 1.25" | 30" | 42" | 72" | 30" | 121 | \$1,164 |
| FHENCPCS.30427230R | 1.25" | 30" | 42" | 72" | 30" | 121 | \$1,164 |
| FHENCPCS.30427830L | 1.25" | 30" | 42" | 78" | 30" | 128 | \$1,363 |
| FHENCPCS.30427830R | 1.25" | 30" | 42" | 78" | 30" | 128 | \$1,363 |
| FHENCPCS.30428430L | 1.25" | 30" | 42" | 84" | 30" | 135 | \$1,386 |
| FHENCPCS.30428430R | 1.25" | 30" | 42" | 84" | 30" | 135 | \$1,386 |

90° Extended Notched Corner Peninsula / continued**30" D CONNECTING SIDE
30" D EXTENSION
48" D**

| PART # | HEIGHT | A | B | C | D | WT. (LBS) | LIST |
|--------------------|--------|-----|-----|-----|-----|-----------|---------|
| FHENCOWS.30486030L | 1.25" | 30" | 48" | 60" | 30" | 116 | \$1,043 |
| FHENCOWS.30486030R | 1.25" | 30" | 48" | 60" | 30" | 116 | \$1,043 |
| FHENCOWS.30486630L | 1.25" | 30" | 48" | 66" | 30" | 124 | \$1,150 |
| FHENCOWS.30486630R | 1.25" | 30" | 48" | 66" | 30" | 124 | \$1,150 |
| FHENCOWS.30487230L | 1.25" | 30" | 48" | 72" | 30" | 131 | \$1,170 |
| FHENCOWS.30487230R | 1.25" | 30" | 48" | 72" | 30" | 131 | \$1,170 |
| FHENCOWS.30487830L | 1.25" | 30" | 48" | 78" | 30" | 138 | \$1,367 |
| FHENCOWS.30487830R | 1.25" | 30" | 48" | 78" | 30" | 138 | \$1,367 |
| FHENCOWS.30488430L | 1.25" | 30" | 48" | 84" | 30" | 144 | \$1,392 |
| FHENCOWS.30488430R | 1.25" | 30" | 48" | 84" | 30" | 144 | \$1,392 |

Extended Curved Corner Peninsula Worksurface



DESCRIPTION

Worksurface hangs from a panel or wall strips. It has a laminate top and a PVC edge. There is a 7/8" gap at the back of the worksurface for plug and cord passage.

SPECIFICATION OPTIONS

product #: see charts below
worksurface finish: see page 9
edge finish: see page 9
support finish: page 10
left or right extended: L for Left, R for Right

NOTES

- Includes one wire grommet, cantilever brackets, one corner bracket, and attachment hardware
- Specify L for left extended, and R for right extended
- Includes one support column leg
- Column leg finish matches support
- Mending plates are included with rectangular worksurfaces only.
- Order mending plates separately if placing this worksurface next to another non-rectangular worksurface

ORDER EXAMPLE

product #: FHECCPWS.24366024L
worksurface finish: M1 Light Maple
edge finish: E1 Light Maple
support finish: Cloud White
left or right extended: L

24" D CONNECTING SIDE 24" D EXTENSION 36" D

| PART # | HEIGHT | A | B | C | D | WT. (LBS) | LIST |
|--------------------|--------|-----|-----|-----|-----|-----------|---------|
| FHECCPWS.24366024L | 1.25" | 24" | 36" | 60" | 24" | 87 | \$861 |
| FHECCPWS.24366024R | 1.25" | 24" | 36" | 60" | 24" | 87 | \$861 |
| FHECCPWS.24366624L | 1.25" | 24" | 36" | 66" | 24" | 93 | \$945 |
| FHECCPWS.24366624R | 1.25" | 24" | 36" | 66" | 24" | 93 | \$945 |
| FHECCPWS.24367224L | 1.25" | 24" | 36" | 72" | 24" | 99 | \$965 |
| FHECCPWS.24367224R | 1.25" | 24" | 36" | 72" | 24" | 99 | \$965 |
| FHECCPWS.24367824L | 1.25" | 24" | 36" | 78" | 24" | 105 | \$1,120 |
| FHECCPWS.24367824R | 1.25" | 24" | 36" | 78" | 24" | 105 | \$1,120 |
| FHECCPWS.24368424L | 1.25" | 24" | 36" | 84" | 24" | 110 | \$1,143 |
| FHECCPWS.24368424R | 1.25" | 24" | 36" | 84" | 24" | 110 | \$1,143 |

24" D CONNECTING SIDE 30" D EXTENSION 36" D

| PART # | HEIGHT | A | B | C | D | WT. (LBS) | LIST |
|--------------------|--------|-----|-----|-----|-----|-----------|---------|
| FHECCPWS.24366030L | 1.25" | 24" | 36" | 60" | 30" | 94 | \$861 |
| FHECCPWS.24366030R | 1.25" | 24" | 36" | 60" | 30" | 94 | \$861 |
| FHECCPWS.24366630L | 1.25" | 24" | 36" | 66" | 30" | 101 | \$945 |
| FHECCPWS.24366630R | 1.25" | 24" | 36" | 66" | 30" | 101 | \$945 |
| FHECCPWS.24367230L | 1.25" | 24" | 36" | 72" | 30" | 108 | \$965 |
| FHECCPWS.24367230R | 1.25" | 24" | 36" | 72" | 30" | 108 | \$965 |
| FHECCPWS.24367830L | 1.25" | 24" | 36" | 78" | 30" | 115 | \$1,120 |
| FHECCPWS.24367830R | 1.25" | 24" | 36" | 78" | 30" | 115 | \$1,120 |
| FHECCPWS.24368430L | 1.25" | 24" | 36" | 84" | 30" | 123 | \$1,143 |
| FHECCPWS.24368430R | 1.25" | 24" | 36" | 84" | 30" | 123 | \$1,143 |

Extended Curved Corner Peninsula / continued

**24" D CONNECTING SIDE
24" D EXTENSION
48" D**

| PART # | HEIGHT | A | B | C | D | WT. (LBS) | LIST |
|--------------------|--------|-----|-----|-----|-----|-----------|---------|
| FHECCPWS.24486024L | 1.25" | 24" | 48" | 60" | 24" | 101 | \$983 |
| FHECCPWS.24486024R | 1.25" | 24" | 48" | 60" | 24" | 101 | \$983 |
| FHECCPWS.24486624L | 1.25" | 24" | 48" | 66" | 24" | 107 | \$1,090 |
| FHECCPWS.24486624R | 1.25" | 24" | 48" | 66" | 24" | 107 | \$1,090 |
| FHECCPWS.24487224L | 1.25" | 24" | 48" | 72" | 24" | 112 | \$1,110 |
| FHECCPWS.24487224R | 1.25" | 24" | 48" | 72" | 24" | 112 | \$1,110 |
| FHECCPWS.24487824L | 1.25" | 24" | 48" | 78" | 24" | 118 | \$1,347 |
| FHECCPWS.24487824R | 1.25" | 24" | 48" | 78" | 24" | 118 | \$1,347 |
| FHECCPWS.24488424L | 1.25" | 24" | 48" | 84" | 24" | 124 | \$1,352 |
| FHECCPWS.24488424R | 1.25" | 24" | 48" | 84" | 24" | 124 | \$1,352 |

**24" D CONNECTING SIDE
30" D EXTENSION
48" D**

| PART # | HEIGHT | A | B | C | D | WT. (LBS) | LIST |
|--------------------|--------|-----|-----|-----|-----|-----------|---------|
| FHECCPWS.24486030L | 1.25" | 24" | 48" | 60" | 30" | 107 | \$983 |
| FHECCPWS.24486030R | 1.25" | 24" | 48" | 60" | 30" | 107 | \$983 |
| FHECCPWS.24486630L | 1.25" | 24" | 48" | 66" | 30" | 113 | \$1,090 |
| FHECCPWS.24486630R | 1.25" | 24" | 48" | 66" | 30" | 113 | \$1,090 |
| FHECCPWS.24487230L | 1.25" | 24" | 48" | 72" | 30" | 118 | \$1,110 |
| FHECCPWS.24487230R | 1.25" | 24" | 48" | 72" | 30" | 118 | \$1,110 |
| FHECCPWS.24487830L | 1.25" | 24" | 48" | 78" | 30" | 124 | \$1,347 |
| FHECCPWS.24487830R | 1.25" | 24" | 48" | 78" | 30" | 124 | \$1,347 |
| FHECCPWS.24488430L | 1.25" | 24" | 48" | 84" | 30" | 129 | \$1,352 |
| FHECCPWS.24488430R | 1.25" | 24" | 48" | 84" | 30" | 129 | \$1,352 |

**24" D CONNECTING SIDE
24" D EXTENSION
42" D**

| PART # | HEIGHT | A | B | C | D | WT. (LBS) | LIST |
|--------------------|--------|-----|-----|-----|-----|-----------|---------|
| FHECCPWS.24426024L | 1.25" | 24" | 42" | 60" | 24" | 94 | \$978 |
| FHECCPWS.24426024R | 1.25" | 24" | 42" | 60" | 24" | 94 | \$978 |
| FHECCPWS.24426624L | 1.25" | 24" | 42" | 66" | 24" | 100 | \$1,084 |
| FHECCPWS.24426624R | 1.25" | 24" | 42" | 66" | 24" | 100 | \$1,084 |
| FHECCPWS.24427224L | 1.25" | 24" | 42" | 72" | 24" | 106 | \$1,104 |
| FHECCPWS.24427224R | 1.25" | 24" | 42" | 72" | 24" | 106 | \$1,104 |
| FHECCPWS.24427824L | 1.25" | 24" | 42" | 78" | 24" | 111 | \$1,341 |
| FHECCPWS.24427824R | 1.25" | 24" | 42" | 78" | 24" | 111 | \$1,341 |
| FHECCPWS.24428424L | 1.25" | 24" | 42" | 84" | 24" | 116 | \$1,347 |
| FHECCPWS.24428424R | 1.25" | 24" | 42" | 84" | 24" | 116 | \$1,347 |

**24" D CONNECTING SIDE
30" D EXTENSION
42" D**

| PART # | HEIGHT | A | B | C | D | WT. (LBS) | LIST |
|--------------------|--------|-----|-----|-----|-----|-----------|---------|
| FHECCPWS.24426030L | 1.25" | 24" | 42" | 60" | 30" | 100 | \$978 |
| FHECCPWS.24426030R | 1.25" | 24" | 42" | 60" | 30" | 100 | \$978 |
| FHECCPWS.24426630L | 1.25" | 24" | 42" | 66" | 30" | 107 | \$1,084 |
| FHECCPWS.24426630R | 1.25" | 24" | 42" | 66" | 30" | 107 | \$1,084 |
| FHECCPWS.24427230L | 1.25" | 24" | 42" | 72" | 30" | 113 | \$1,104 |
| FHECCPWS.24427230R | 1.25" | 24" | 42" | 72" | 30" | 113 | \$1,104 |
| FHECCPWS.24427830L | 1.25" | 24" | 42" | 78" | 30" | 120 | \$1,341 |
| FHECCPWS.24427830R | 1.25" | 24" | 42" | 78" | 30" | 120 | \$1,341 |
| FHECCPWS.24428430L | 1.25" | 24" | 42" | 84" | 30" | 126 | \$1,347 |
| FHECCPWS.24428430R | 1.25" | 24" | 42" | 84" | 30" | 126 | \$1,347 |

**30" D CONNECTING SIDE
30" D EXTENSION
36" D**

| PART # | HEIGHT | A | B | C | D | WT. (LBS) | LIST |
|--------------------|--------|-----|-----|-----|-----|-----------|---------|
| FHECCPWS.30366030L | 1.25" | 30" | 36" | 60" | 30" | 95 | \$919 |
| FHECCPWS.30366030R | 1.25" | 30" | 36" | 60" | 30" | 95 | \$919 |
| FHECCPWS.30366630L | 1.25" | 30" | 36" | 66" | 30" | 103 | \$1,004 |
| FHECCPWS.30366630R | 1.25" | 30" | 36" | 66" | 30" | 103 | \$1,004 |
| FHECCPWS.30367230L | 1.25" | 30" | 36" | 72" | 30" | 110 | \$1,025 |
| FHECCPWS.30367230R | 1.25" | 30" | 36" | 72" | 30" | 110 | \$1,025 |
| FHECCPWS.30367830L | 1.25" | 30" | 36" | 78" | 30" | 117 | \$1,179 |
| FHECCPWS.30367830R | 1.25" | 30" | 36" | 78" | 30" | 117 | \$1,179 |
| FHECCPWS.30368430L | 1.25" | 30" | 36" | 84" | 30" | 124 | \$1,203 |
| FHECCPWS.30368430R | 1.25" | 30" | 36" | 84" | 30" | 124 | \$1,203 |

**30" D CONNECTING SIDE
30" D EXTENSION
42" D**

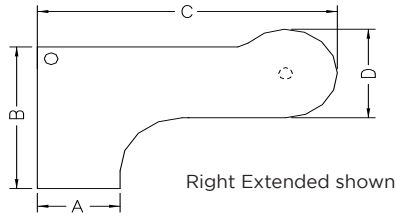
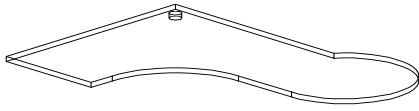
| PART # | HEIGHT | A | B | C | D | WT. (LBS) | LIST |
|--------------------|--------|-----|-----|-----|-----|-----------|---------|
| FHECCPWS.30426030L | 1.25" | 30" | 42" | 60" | 30" | 101 | \$1,037 |
| FHECCPWS.30426030R | 1.25" | 30" | 42" | 60" | 30" | 101 | \$1,037 |
| FHECCPWS.30426630L | 1.25" | 30" | 42" | 66" | 30" | 108 | \$1,144 |
| FHECCPWS.30426630R | 1.25" | 30" | 42" | 66" | 30" | 108 | \$1,144 |
| FHECCPWS.30427230L | 1.25" | 30" | 42" | 72" | 30" | 114 | \$1,164 |
| FHECCPWS.30427230R | 1.25" | 30" | 42" | 72" | 30" | 114 | \$1,164 |
| FHECCPWS.30427830L | 1.25" | 30" | 42" | 78" | 30" | 120 | \$1,363 |
| FHECCPWS.30427830R | 1.25" | 30" | 42" | 78" | 30" | 120 | \$1,363 |
| FHECCPWS.30428430L | 1.25" | 30" | 42" | 84" | 30" | 127 | \$1,386 |
| FHECCPWS.30428430R | 1.25" | 30" | 42" | 84" | 30" | 127 | \$1,386 |

Extended Curved Corner Peninsula / continued

**30" D CONNECTING SIDE
30" D EXTENSION
48" D**

| PART # | HEIGHT | A | B | C | D | WT. (LBS) | LIST |
|--------------------|--------|-----|-----|-----|-----|-----------|---------|
| FHECCPWS.30486030L | 1.25" | 30" | 48" | 60" | 30" | 107 | \$1,043 |
| FHECCPWS.30486030R | 1.25" | 30" | 48" | 60" | 30" | 107 | \$1,043 |
| FHECCPWS.30486630L | 1.25" | 30" | 48" | 66" | 30" | 113 | \$1,150 |
| FHECCPWS.30486630R | 1.25" | 30" | 48" | 66" | 30" | 113 | \$1,150 |
| FHECCPWS.30487230L | 1.25" | 30" | 48" | 72" | 30" | 118 | \$1,170 |
| FHECCPWS.30487230R | 1.25" | 30" | 48" | 72" | 30" | 118 | \$1,170 |
| FHECCPWS.30487830L | 1.25" | 30" | 48" | 78" | 30" | 124 | \$1,367 |
| FHECCPWS.30487830R | 1.25" | 30" | 48" | 78" | 30" | 124 | \$1,367 |
| FHECCPWS.30488430L | 1.25" | 30" | 48" | 84" | 30" | 129 | \$1,392 |
| FHECCPWS.30488430R | 1.25" | 30" | 48" | 84" | 30" | 129 | \$1,392 |

Extended Curved Corner P-Shape Peninsula Worksurface



DESCRIPTION

Worksurface hangs from a panel or wall strips. It has a laminate top and a PVC edge. There is a 7/8" gap at the back of the worksurface for plug and cord passage.

SPECIFICATION OPTIONS

product #: see charts below
worksurface finish: see page 9
edge finish: see page 9
support finish: page 10
left or right extended: L for Left, R for Right

NOTES

- Includes one wire grommet, cantilever brackets, one corner bracket, and attachment hardware
- Specify L for left extended, and R for right extended
- Includes one support column leg
- Column leg finish matches support
- Mending plates are included with rectangular worksurfaces only.
- Order mending plates separately if placing this worksurface next to another non-rectangular worksurface

ORDER EXAMPLE

product #: FHECCPPWS.24426024L
worksurface finish: M1 Light Maple
edge finish: E1, Light Maple
support finish: Cloud White
left or right extended: L

24" D CONNECTING SIDES 42" D

| PART # | HEIGHT | A | B | C | D | WT. (LBS) | LIST |
|---------------------|--------|-----|-----|-----|-----|-----------|---------|
| FHECCPPWS.24426024L | 1.25" | 24" | 42" | 60" | 36" | 105 | \$1,057 |
| FHECCPPWS.24426024R | 1.25" | 24" | 42" | 60" | 36" | 105 | \$1,057 |
| FHECCPPWS.24426624L | 1.25" | 24" | 42" | 66" | 36" | 112 | \$1,170 |
| FHECCPPWS.24426624R | 1.25" | 24" | 42" | 66" | 36" | 112 | \$1,170 |
| FHECCPPWS.24427224L | 1.25" | 24" | 42" | 72" | 36" | 119 | \$1,194 |
| FHECCPPWS.24427224R | 1.25" | 24" | 42" | 72" | 36" | 119 | \$1,194 |
| FHECCPPWS.24427824L | 1.25" | 24" | 42" | 78" | 36" | 126 | \$1,401 |
| FHECCPPWS.24427824R | 1.25" | 24" | 42" | 78" | 36" | 126 | \$1,401 |
| FHECCPPWS.24428424L | 1.25" | 24" | 42" | 84" | 36" | 134 | \$1,432 |
| FHECCPPWS.24428424R | 1.25" | 24" | 42" | 84" | 36" | 134 | \$1,432 |

24" D CONNECTING SIDES 48" D

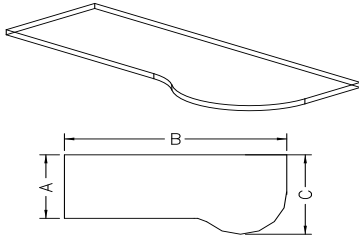
| PART # | HEIGHT | A | B | C | D | WT. (LBS) | LIST |
|---------------------|--------|-----|-----|-----|-----|-----------|---------|
| FHECCPPWS.24486024L | 1.25" | 24" | 48" | 60" | 36" | 113 | \$1,173 |
| FHECCPPWS.24486024R | 1.25" | 24" | 48" | 60" | 36" | 113 | \$1,173 |
| FHECCPPWS.24486624L | 1.25" | 24" | 48" | 66" | 36" | 120 | \$1,308 |
| FHECCPPWS.24486624R | 1.25" | 24" | 48" | 66" | 36" | 120 | \$1,308 |
| FHECCPPWS.24487224L | 1.25" | 24" | 48" | 72" | 36" | 127 | \$1,333 |
| FHECCPPWS.24487224R | 1.25" | 24" | 48" | 72" | 36" | 127 | \$1,333 |
| FHECCPPWS.24487824L | 1.25" | 24" | 48" | 78" | 36" | 134 | \$1,585 |
| FHECCPPWS.24487824R | 1.25" | 24" | 48" | 78" | 36" | 134 | \$1,585 |
| FHECCPPWS.24488424L | 1.25" | 24" | 48" | 84" | 36" | 141 | \$1,617 |
| FHECCPPWS.24488424R | 1.25" | 24" | 48" | 84" | 36" | 141 | \$1,617 |

Extended Curved Corner P-Shape Peninsula / continued

| 30" D CONNECTING SIDES 42" D | PART # | HEIGHT | A | B | C | D | WT. (LBS) | LIST |
|---------------------------------|---------------------|--------|-----|-----|-----|-----|-----------|---------|
| | FHECCPPWS.30426030L | 1.25" | 30" | 42" | 60" | 36" | 109 | \$1,116 |
| | FHECCPPWS.30426030R | 1.25" | 30" | 42" | 60" | 36" | 109 | \$1,116 |
| | FHECCPPWS.30426630L | 1.25" | 30" | 42" | 66" | 36" | 116 | \$1,227 |
| | FHECCPPWS.30426630R | 1.25" | 30" | 42" | 66" | 36" | 116 | \$1,227 |
| | FHECCPPWS.30427230L | 1.25" | 30" | 42" | 72" | 36" | 123 | \$1,252 |
| | FHECCPPWS.30427230R | 1.25" | 30" | 42" | 72" | 36" | 123 | \$1,252 |
| | FHECCPPWS.30427830L | 1.25" | 30" | 42" | 78" | 36" | 131 | \$1,459 |
| | FHECCPPWS.30427830R | 1.25" | 30" | 42" | 78" | 36" | 131 | \$1,459 |
| | FHECCPPWS.30428430L | 1.25" | 30" | 42" | 84" | 36" | 138 | \$1,492 |
| | FHECCPPWS.30428430R | 1.25" | 30" | 42" | 84" | 36" | 138 | \$1,492 |

| 30" D CONNECTING SIDES 48" D | PART # | HEIGHT | A | B | C | D | WT. (LBS) | LIST |
|---------------------------------|---------------------|--------|-----|-----|-----|-----|-----------|---------|
| | FHECCPPWS.30486030L | 1.25" | 30" | 48" | 60" | 36" | 116 | \$1,232 |
| | FHECCPPWS.30486030R | 1.25" | 30" | 48" | 60" | 36" | 116 | \$1,232 |
| | FHECCPPWS.30486630L | 1.25" | 30" | 48" | 66" | 36" | 123 | \$1,366 |
| | FHECCPPWS.30486630R | 1.25" | 30" | 48" | 66" | 36" | 123 | \$1,366 |
| | FHECCPPWS.30487230L | 1.25" | 30" | 48" | 72" | 36" | 132 | \$1,393 |
| | FHECCPPWS.30487230R | 1.25" | 30" | 48" | 72" | 36" | 132 | \$1,393 |
| | FHECCPPWS.30487830L | 1.25" | 30" | 48" | 78" | 36" | 139 | \$1,642 |
| | FHECCPPWS.30487830R | 1.25" | 30" | 48" | 78" | 36" | 139 | \$1,642 |
| | FHECCPPWS.30488430L | 1.25" | 30" | 48" | 84" | 36" | 146 | \$1,674 |
| | FHECCPPWS.30488430R | 1.25" | 30" | 48" | 84" | 36" | 146 | \$1,674 |

Ellipse End Peninsula



Right Extended shown

DESCRIPTION

Worksurface hangs from a panel or wall strips. It has a laminate top and a PVC edge. There is a 7/8" gap at the back of the worksurface for plug and cord passage. 60" to 84" worksurfacers have center support.

NOTES

- Includes cantilever brackets and attachment hardware
- Mending plates are included with rectangular worksurfaces only.
- Order mending plates separately if placing this worksurface next to another non-rectangular worksurface

SPECIFICATION OPTIONS

product #: see charts below
worksurface finish: see page 9
edge finish: see page 9
support finish: page 10

ORDER EXAMPLE

product #: FHEEPWS.246030
worksurface finish: M1 Light Maple
edge finish: E1 Light Maple
support finish: Cloud White

24" D LEFT 30" D RIGHT

| PART # | HEIGHT | A | B | C | D | WT. (LBS) | LIST |
|----------------|--------|-----|-----|-----|---|-----------|-------|
| FHEEPWS.246030 | 1.25" | 24" | 60" | 30" | — | 52 | \$681 |
| FHEEPWS.246630 | 1.25" | 24" | 66" | 30" | — | 59 | \$752 |
| FHEEPWS.247230 | 1.25" | 24" | 72" | 30" | — | 66 | \$771 |
| FHEEPWS.247830 | 1.25" | 24" | 78" | 30" | — | 74 | \$902 |
| FHEEPWS.248430 | 1.25" | 24" | 84" | 30" | — | 81 | \$922 |

30" D LEFT 24" D RIGHT

| PART # | HEIGHT | A | B | C | D | WT. (LBS) | LIST |
|----------------|--------|-----|-----|-----|---|-----------|-------|
| FHEEPWS.306024 | 1.25" | 30" | 60" | 24" | — | 52 | \$681 |
| FHEEPWS.306624 | 1.25" | 30" | 66" | 24" | — | 59 | \$752 |
| FHEEPWS.307224 | 1.25" | 30" | 72" | 24" | — | 66 | \$771 |
| FHEEPWS.307824 | 1.25" | 30" | 78" | 24" | — | 74 | \$902 |
| FHEEPWS.308424 | 1.25" | 30" | 84" | 24" | — | 81 | \$922 |

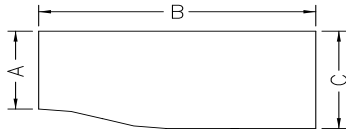
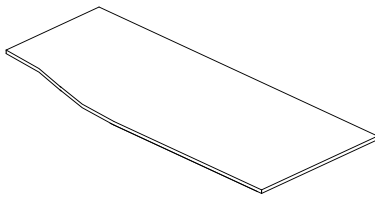
30" D LEFT 36" D RIGHT

| PART # | HEIGHT | A | B | C | D | WT. (LBS) | LIST |
|----------------|--------|-----|-----|-----|---|-----------|---------|
| FHEEPWS.306036 | 1.25" | 30" | 60" | 36" | — | 57 | \$795 |
| FHEEPWS.306636 | 1.25" | 30" | 66" | 36" | — | 64 | \$877 |
| FHEEPWS.307236 | 1.25" | 30" | 72" | 36" | — | 71 | \$896 |
| FHEEPWS.307836 | 1.25" | 30" | 78" | 36" | — | 79 | \$1,050 |
| FHEEPWS.308436 | 1.25" | 30" | 84" | 36" | — | 86 | \$1,071 |

36" D LEFT 30" D RIGHT

| PART # | HEIGHT | A | B | C | D | WT. (LBS) | LIST |
|----------------|--------|-----|-----|-----|---|-----------|---------|
| FHEEPWS.366030 | 1.25" | 36" | 60" | 30" | — | 57 | \$795 |
| FHEEPWS.366630 | 1.25" | 36" | 66" | 30" | — | 64 | \$877 |
| FHEEPWS.367230 | 1.25" | 36" | 72" | 30" | — | 71 | \$896 |
| FHEEPWS.367830 | 1.25" | 36" | 78" | 30" | — | 79 | \$1,050 |
| FHEEPWS.368430 | 1.25" | 36" | 84" | 30" | — | 86 | \$1,071 |

Rectangular Asymmetrical



Right Extended shown

DESCRIPTION

Worksurface hangs from a panel or wall strips. It has a laminate top and a PVC edge. There is a 7/8" gap at the back of the worksurface for plug and cord passage. 60" to 84" worksurfaces have center support.

NOTES

- Includes cantilever brackets and attachment hardware
- 78"W and 84"W worksurfaces will accept a 42"W or 36"W lateral file
- 72"W worksurface will accept a 36"W lateral file
- 66"W worksurface will accept a 30"W lateral file
- Worksurfaces shorter than 48"W will not accept a pedestal
- Mending plates are included with rectangular worksurfaces only.
- Order mending plates separately if placing this worksurface next to another non-rectangular worksurface

SPECIFICATION OPTIONS

product #: see charts below
worksurface finish: see page 9
edge finish: see page 9
support finish: page 10

ORDER EXAMPLE

product #: FHRWWS.243030
worksurface finish: M1 Light Maple
edge finish: M1 Light Maple
support finish: E9 Cloud White

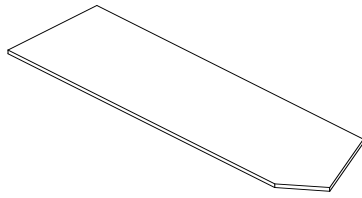
24" D LEFT 30" D RIGHT

| PART # | HEIGHT | A | B | C | D | WT. (LBS) | LIST |
|---------------|--------|-----|-----|-----|---|-----------|-------|
| FHRWWS.243030 | 1.25" | 24" | 30" | 30" | — | 40 | \$342 |
| FHRWWS.243630 | 1.25" | 24" | 36" | 30" | — | 46 | \$390 |
| FHRWWS.244230 | 1.25" | 24" | 42" | 30" | — | 53 | \$399 |
| FHRWWS.244830 | 1.25" | 24" | 48" | 30" | — | 60 | \$477 |
| FHRWWS.245430 | 1.25" | 24" | 54" | 30" | — | 66 | \$486 |
| FHRWWS.246030 | 1.25" | 24" | 60" | 30" | — | 74 | \$577 |
| FHRWWS.246630 | 1.25" | 24" | 66" | 30" | — | 81 | \$588 |
| FHRWWS.247230 | 1.25" | 24" | 72" | 30" | — | 88 | \$651 |
| FHRWWS.247830 | 1.25" | 24" | 78" | 30" | — | 95 | \$772 |
| FHRWWS.248430 | 1.25" | 24" | 84" | 30" | — | 102 | \$777 |

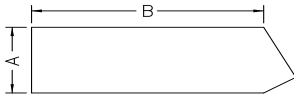
30" D LEFT 24" D RIGHT

| PART # | HEIGHT | A | B | C | D | WT. (LBS) | LIST |
|---------------|--------|-----|-----|-----|---|-----------|-------|
| FHRWWS.303024 | 1.25" | 30" | 30" | 24" | — | 40 | \$342 |
| FHRWWS.303624 | 1.25" | 30" | 36" | 24" | — | 46 | \$390 |
| FHRWWS.304224 | 1.25" | 30" | 42" | 24" | — | 53 | \$399 |
| FHRWWS.304824 | 1.25" | 30" | 48" | 24" | — | 60 | \$477 |
| FHRWWS.305424 | 1.25" | 30" | 54" | 24" | — | 66 | \$486 |
| FHRWWS.306024 | 1.25" | 30" | 60" | 24" | — | 74 | \$577 |
| FHRWWS.306624 | 1.25" | 30" | 66" | 24" | — | 81 | \$588 |
| FHRWWS.307224 | 1.25" | 30" | 72" | 24" | — | 88 | \$651 |
| FHRWWS.307824 | 1.25" | 30" | 78" | 24" | — | 95 | \$772 |
| FHRWWS.308424 | 1.25" | 30" | 84" | 24" | — | 102 | \$777 |

120° Rectangular



Right End shown



DESCRIPTION

Worksurface hangs from a panel and has a 120° end, either left or right. It has a PVC edge. There is a 7/8" gap at the back of the worksurface for plug and cord passage.

NOTES

- Includes cantilever brackets and attachment hardware
- 78"W and 84"W worksurfaces will accept a 42"W or 36"W lateral file
- 72"W worksurface will accept a 36"W lateral file
- 66"W worksurface will accept a 30"W lateral file
- Worksurfaces shorter than 48"W will not accept a pedestal
- Mending plates are included with rectangular worksurfaces only.
- Order mending plates separately if placing this worksurface next to another non-rectangular worksurface

SPECIFICATION OPTIONS

product #: see charts below
worksurface finish: see page 9
edge finish: see page 9
support finish: page 10
left or right extended: L for Left, R for Right

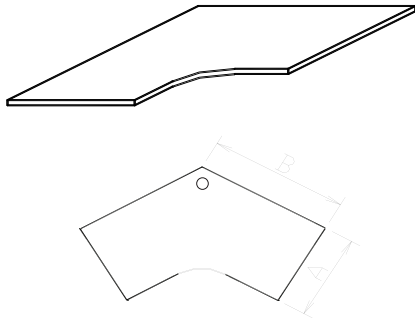
ORDER EXAMPLE

product #: FH120WS.2424L
worksurface finish: M1 Light Maple
edge finish: E1, Light Maple
support finish: Cloud White
left or right extended: L

120° RECTANGULAR

| PART # | HEIGHT | A | B | C | D | WT. (LBS) | LIST |
|---------------|--------|-----|-----|---|---|-----------|-------|
| FH120WS.2424L | 1.25" | 24" | 24" | — | — | 33 | \$429 |
| FH120WS.2424R | 1.25" | 24" | 24" | — | — | 33 | \$429 |
| FH120WS.2430L | 1.25" | 24" | 30" | — | — | 40 | \$462 |
| FH120WS.2430R | 1.25" | 24" | 30" | — | — | 40 | \$462 |
| FH120WS.2436L | 1.25" | 24" | 36" | — | — | 45 | \$497 |
| FH120WS.2436R | 1.25" | 24" | 36" | — | — | 45 | \$497 |
| FH120WS.2442L | 1.25" | 24" | 42" | — | — | 52 | \$555 |
| FH120WS.2442R | 1.25" | 24" | 42" | — | — | 52 | \$555 |
| FH120WS.2448L | 1.25" | 24" | 48" | — | — | 57 | \$568 |
| FH120WS.2448R | 1.25" | 24" | 48" | — | — | 57 | \$568 |
| FH120WS.2460L | 1.25" | 24" | 60" | — | — | 64 | \$660 |
| FH120WS.2460R | 1.25" | 24" | 60" | — | — | 64 | \$660 |

120° Corner / 90° Ends



DESCRIPTION

Worksurface hangs from a panel. It has a laminate top and a PVC edge. There is a 7/8" gap at the back of the worksurface for plug and cord passage. Worksurface is 24" deep.

NOTES

- Includes cantilever brackets, corner bracket, and attachment hardware
- Mending plates are included with rectangular worksurfaces only.
- Order mending plates separately if placing this worksurface next to another non-rectangular worksurface

SPECIFICATION OPTIONS

product #: see charts below
worksurface finish: see page 9
edge finish: see page 9
support finish: page 10

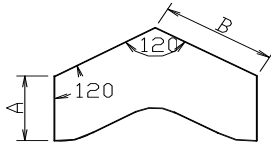
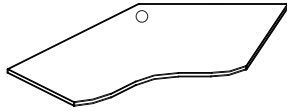
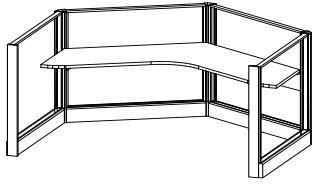
ORDER EXAMPLE

product #: FH120/90WS.2424
worksurface finish: M1 Light Maple
edge finish: E1, Light Maple
support finish: Cloud White

120° CORNER 90° ENDS

| PART # | HEIGHT | A | B | C | D | WT. (LBS) | LIST |
|-----------------|--------|-----|-----|---|---|-----------|---------|
| FH120-90WS.2424 | 1.25" | 24" | 24" | — | — | 30 | \$542 |
| FH120-90WS.2430 | 1.25" | 24" | 30" | — | — | 41 | \$611 |
| FH120-90WS.2436 | 1.25" | 24" | 36" | — | — | 50 | \$748 |
| FH120-90WS.2442 | 1.25" | 24" | 42" | — | — | 62 | \$895 |
| FH120-90WS.2448 | 1.25" | 24" | 48" | — | — | 80 | \$1,087 |

120° Corner / 120° Ends



DESCRIPTION

Worksurface hangs from a panel. It has a laminate top and a PVC edge. There is a 7/8" gap at the back of the worksurface for plug and cord passage. Worksurface is 24" deep.

NOTES

- Includes cantilever brackets, corner bracket, and attachment hardware
- Mending plates are included with rectangular worksurfaces only.
- Order mending plates separately if placing this worksurface next to another non-rectangular worksurface

SPECIFICATION OPTIONS

product #: see charts below
worksurface finish: see page 9
edge finish: see page 9
support finish: page 10

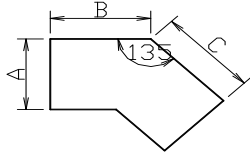
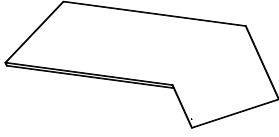
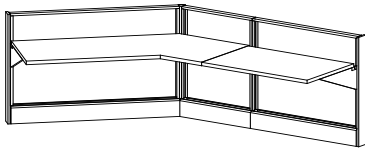
ORDER EXAMPLE

product #: FH120/120WS.2436
worksurface finish: M1 Light Maple
edge finish: E1 Light Maple
support finish: Cloud White

120° CORNER 120° ENDS

| PART # | HEIGHT | A | B | C | D | WT. (LBS) | LIST |
|------------------|--------|-----|-----|---|---|-----------|---------|
| FH120-120WS.2436 | 1.25" | 24" | 36" | — | — | — | \$756 |
| FH120-120WS.2442 | 1.25" | 24" | 42" | — | — | — | \$904 |
| FH120-120WS.2448 | 1.25" | 24" | 48" | — | — | — | \$1,098 |

135° Corner



DESCRIPTION

Worksurface hangs from a panel. It has a laminate top and a PVC edge. There is a 7/8" gap at the back of the worksurface for plug and cord passage. Worksurface is 24" deep.

NOTES

- Includes cantilever brackets, corner bracket, and attachment hardware
- Mending plates are included with rectangular worksurfaces only.
- Order mending plates separately if placing this worksurface next to another non-rectangular worksurface

SPECIFICATION OPTIONS

product #: see charts below
worksurface finish: see page 9
edge finish: see page 9
support finish: page 10

ORDER EXAMPLE

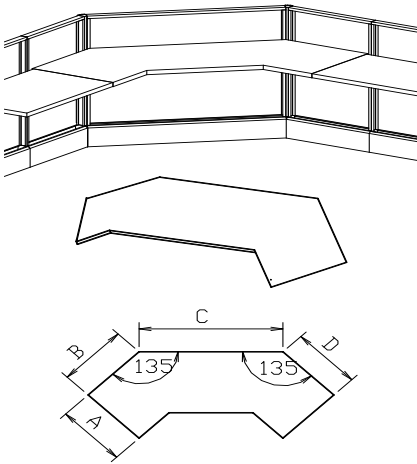
product #: FH135CWS24.2424
worksurface finish: M1 Light Maple
edge finish: E1, Light Maple
support finish: Cloud White

135° CORNER
WORKSURFACE

| PART # | HEIGHT | A | B | C | D | WT. (LBS) | LIST |
|-----------------|--------|-----|-----|---|---|-----------|--------|
| FH135CWS24.2424 | 1.25" | 24" | 24" | — | — | — | \$842 |
| FH135CWS24.3030 | 1.25" | 30" | 30" | — | — | — | \$995 |
| FH135CWS24.4824 | 1.25" | 48" | 24" | — | — | — | \$944 |
| FH135CWS24.2448 | 1.25" | 24" | 48" | — | — | — | \$1158 |

| PART # | HEIGHT | A | B | C | D | WT. (LBS) | LIST |
|-----------------|--------|-----|-----|---|---|-----------|---------|
| FH135CWS30.2424 | 1.25" | 24" | 24" | — | — | — | \$877 |
| FH135CWS30.3030 | 1.25" | 30" | 30" | — | — | — | \$1,035 |
| FH135CWS30.4824 | 1.25" | 48" | 24" | — | — | — | \$1,178 |
| FH135CWS30.2448 | 1.25" | 24" | 48" | — | — | — | \$1,187 |

135° Double Corner



DESCRIPTION

Worksurface hangs from a panel. It has a laminate top and a PVC edge. There is a 7/8" gap at the back of the worksurface for plug and cord passage. Worksurface is 24" deep.

NOTES

- Includes cantilever brackets, corner bracket, and attachment hardware
- Mending plates are included with rectangular worksurfaces only.
- Order mending plates separately if placing this worksurface next to another non-rectangular worksurface

SPECIFICATION OPTIONS

product #: see charts below
worksurface finish: see page 9
edge finish: see page 9
support finish: page 10

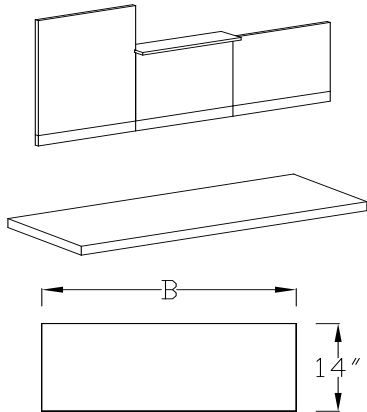
ORDER EXAMPLE

product #: FH135DCWS24. 244824
worksurface finish: M1 Light Maple
edge finish: E1, Light Maple
support finish: Cloud White

135° DOUBLE CORNER WORKSURFACE

| PART # | HEIGHT | A | B | C | D | WT. (LBS) | LIST |
|---------------------|--------|-----|-----|-----|-----|-----------|---------|
| FH135DCWS24. 244824 | 1.25" | 24" | 24" | 48" | 24" | — | \$1,623 |
| FH135DCWS30. 244824 | 1.25" | 30" | 24" | 48" | 24" | — | \$1,627 |

Transaction Surface



DESCRIPTION

14"D Rectangular transaction worksurface attaches to the top of a panel. Ends are flush with the panel. It has a PVC edge.

NOTES

- Attaches to the top of a panel for counter or display area.
- Includes transaction brackets and attachment hardware.
- Order without cutout or with cutout on one side
- Cutout is for use on the lower panel at a change of height

SPECIFICATION OPTIONS

product #: see charts below
worksurface finish: see page 9
edge finish: see page 9
support finish: page 10

ORDER EXAMPLE

product #: FHERTS.1424LC
worksurface finish: M1 Light Maple
edge finish: E1, Light Maple
support finish: Cloud White

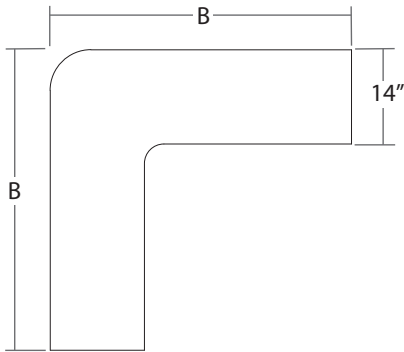
WITHOUT CUTOUT

| PART # | HEIGHT | A | B | C | D | WT. (LBS) | LIST |
|--------------|--------|-----|-----|---|---|-----------|-------|
| FHERTS.1424L | 1.25" | 14" | 24" | — | — | 17 | \$177 |
| FHERTS.1430L | 1.25" | 14" | 30" | — | — | 21 | \$204 |
| FHERTS.1436L | 1.25" | 14" | 36" | — | — | 24 | \$220 |
| FHERTS.1442L | 1.25" | 14" | 42" | — | — | 27 | \$263 |
| FHERTS.1448L | 1.25" | 14" | 48" | — | — | 31 | \$268 |
| FHERTS.1460L | 1.25" | 14" | 60" | — | — | 38 | \$311 |
| FHERTS.1472L | 1.25" | 14" | 72" | — | — | 43 | \$353 |

WITH CUTOUT

| PART # | HEIGHT | A | B | C | D | WT. (LBS) | LIST |
|---------------|--------|-----|-------|---|---|-----------|-------|
| FHERTS.1424LC | 1.25" | 14" | 23.5" | — | — | 17 | \$177 |
| FHERTS.1430LC | 1.25" | 14" | 29.5" | — | — | 21 | \$204 |
| FHERTS.1436LC | 1.25" | 14" | 35.5" | — | — | 24 | \$220 |
| FHERTS.1442LC | 1.25" | 14" | 41.5" | — | — | 27 | \$263 |
| FHERTS.1448LC | 1.25" | 14" | 47.5" | — | — | 31 | \$268 |
| FHERTS.1460LC | 1.25" | 14" | 59.5" | — | — | 38 | \$311 |
| FHERTS.1472LC | 1.25" | 14" | 71.5" | — | — | 43 | \$353 |

Corner Transaction



DESCRIPTION

14"D Transaction worksurface attaches to the top of two panels. Ends are flush with the panels. It has a PVC edge.

NOTES

- Attaches to the top of two 24", 30", 36", 42" or 48"W.
- Panels connected at a 90° angle for corner counter or display area
- Includes transaction brackets and attachment hardware.

SPECIFICATION OPTIONS

product #: see charts below
worksurface finish: see page 9
edge finish: see page 9
support finish: page 10

ORDER EXAMPLE

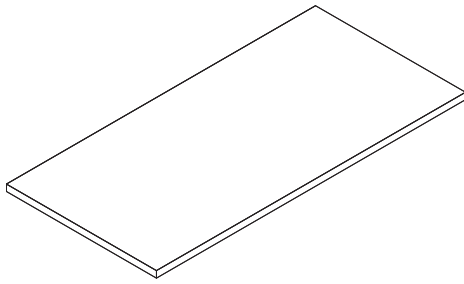
product #: FHECTS.24
worksurface finish: M1 Light Maple
edge finish: E1, Light Maple
support finish: Cloud White

CORNER TRANSACTION

| PART # | HEIGHT | A | B | C | D | WT. (LBS) | LIST |
|-----------|--------|-----|-----|---|---|-----------|-------|
| FHECTS.24 | 1.25" | 14" | 32" | — | — | 40 | \$338 |
| FHECTS.30 | 1.25" | 14" | 38" | — | — | 48 | \$449 |
| FHECTS.36 | 1.25" | 14" | 44" | — | — | 55 | \$497 |
| FHECTS.42 | 1.25" | 14" | 50" | — | — | 62 | \$699 |
| FHECTS.48 | 1.25" | 14" | 56" | — | — | 71 | \$704 |

MY-HITE WORKSURFACES

Rectangular Worksurfaces For Use w/ MY-HITE Base



DESCRIPTION

Worksurface top only, for use with height adjustable base within workstation application

NOTES

- Add circular grommet (add \$75 list) Specify GL, GC, GR
- Order base separately from MY-HITE pricebook

Note: Top size reduced 1" in depth and 2" in width to fit within system workstation and prevent pinch points. See system pricebook for details. We do not recommend using full size worktop in paneled workstation applications.

SPECIFICATION OPTIONS

product #: see charts below
top, edge finish: worksurface finish:
 see page 9

ORDER EXAMPLE

product #: FHRWS.2364
edge finish: E1 Light Maple
worksurface finish: M1
grommet: GC (Rear Center)

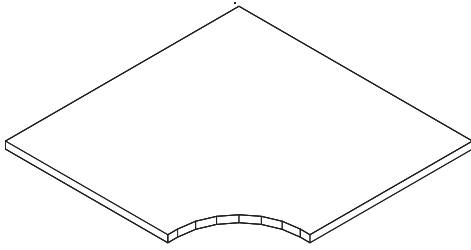
SQUARE EDGE RECTANGULAR WORKSURFACE

| PART # | DEPTH | WIDTH | PRICE |
|------------|-------|-------|-------|
| FHRWS.2340 | 23" | 40" | \$307 |
| FHRWS.2346 | 23" | 46" | \$316 |
| FHRWS.2352 | 23" | 52" | \$373 |
| FHRWS.2358 | 23" | 58" | \$383 |
| FHRWS.2364 | 23" | 64" | \$441 |
| FHRWS.2370 | 23" | 70" | \$453 |
| FHRWS.2376 | 23" | 76" | \$553 |
| FHRWS.2382 | 23" | 82" | \$559 |
| | | | |
| FHRWS.2940 | 29" | 40" | \$363 |
| FHRWS.2946 | 29" | 46" | \$373 |
| FHRWS.2952 | 29" | 52" | \$442 |
| FHRWS.2958 | 29" | 58" | \$453 |
| FHRWS.2964 | 29" | 64" | \$524 |
| FHRWS.2970 | 29" | 70" | \$537 |
| FHRWS.2976 | 29" | 76" | \$660 |
| FHRWS.2982 | 29" | 82" | \$666 |
| | | | |
| FHRWS.3540 | 35" | 40" | \$382 |
| FHRWS.3546 | 35" | 46" | \$389 |
| FHRWS.3552 | 35" | 52" | \$681 |
| FHRWS.3558 | 35" | 58" | \$689 |
| FHRWS.3564 | 35" | 64" | \$696 |
| FHRWS.3570 | 35" | 70" | \$704 |
| FHRWS.3576 | 35" | 76" | \$711 |
| FHRWS.3582 | 35" | 82" | \$811 |

NOTES

Sizes are actual for example
 FHRWS.2364 is 23" x 64"

Corner Worksurfaces For Use w/ MY-HITE Bases



DESCRIPTION

Corner worksurface top only, for use with height adjustable base within workstation application.

NOTES

- Add circular grommet (add \$75 list)
Specify GL or GR
- Order base separately from MY-HITE pricebook

Note: Top size reduced 1" in depth and 2" in width to fit within system workstation and prevent pinch points. See system pricebook for details. We do not recommend using full size worktop in paneled workstation applications.

SPECIFICATION OPTIONS

product #: see charts below
top, edge finish: worksurface finish:
see page 9

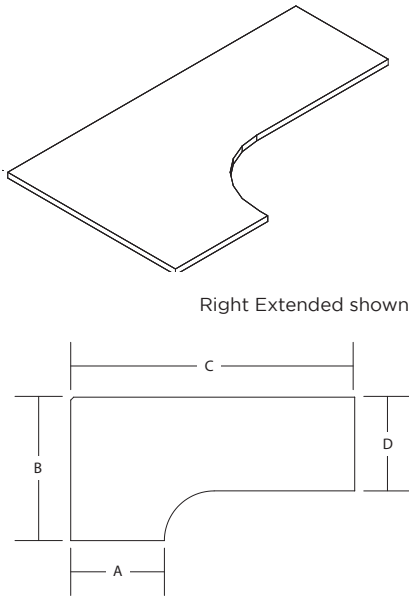
ORDER EXAMPLE

product #: FHCWS.2942
edge finish: E1 Light Maple
worksurface finish: M1
grommet: GL

SQUARE EDGE CORNER WORKSURFACE

| PART # | WIDTH | DEPTH | PRICE | NOTES |
|------------|-------|-------|-------|---|
| FHCWS.2340 | 40" | 23" | \$505 | Sizes are actual for example : FHCWS.2942 is 29" x 42" |
| FHCWS.2346 | 46" | 23" | \$535 | |
| FHCWS.2940 | 42" | 29" | \$550 | |
| FHCWS.2946 | 48" | 29" | \$578 | |

90° Extended Curved Corner Worksurface For Use w/ MY-HITE Bases



DESCRIPTION

Laminate worksurface with 3mm PVC edge

NOTES

- Worksurface top only, for use with height adjustable base within workstation application
- See My-Hite pricebook for use inside a freestanding application
- Add circular grommet (add \$75 list) Specify grommet placement GL, GC, GR
- Top size reduced 1" in depth and 2" in width to fit within system workstation and prevent pinch points.
- We do not recommend using full size worktop in paneled workstation applications
- Base covers are metal

SPECIFICATION OPTIONS

product #: see charts below
top, edge, worksurface finish: see page 9
left or right extended: L for Left, R for Right

ORDER EXAMPLE

product #: FHECCWS.23345823L
top, edge finish: E10 Espresso
worksurface finish: M11 Light Walnut

**23" D CONNECTING SIDE
 23" D EXTENSION
 34" D**

| PART # | HEIGHT | A | B | C | D | PRICE |
|-------------------|--------|-----|-----|-----|-----|-------|
| FHECCWS.23345823L | 1.25" | 23" | 34" | 58" | 23" | \$580 |
| FHECCWS.23345823R | 1.25" | 23" | 34" | 58" | 23" | \$580 |
| FHECCWS.23346423L | 1.25" | 23" | 34" | 64" | 23" | \$646 |
| FHECCWS.23346423R | 1.25" | 23" | 34" | 64" | 23" | \$646 |
| FHECCWS.23347023L | 1.25" | 23" | 34" | 70" | 23" | \$657 |
| FHECCWS.23347023R | 1.25" | 23" | 34" | 70" | 23" | \$657 |
| FHECCWS.23347623L | 1.25" | 23" | 34" | 76" | 23" | \$788 |
| FHECCWS.23347623R | 1.25" | 23" | 34" | 76" | 23" | \$788 |
| FHECCWS.23348223L | 1.25" | 23" | 34" | 82" | 23" | \$919 |
| FHECCWS.23348223R | 1.25" | 23" | 34" | 82" | 23" | \$919 |

**29" D CONNECTING SIDE
 29" D EXTENSION
 34" D**

| PART # | HEIGHT | A | B | C | D | PRICE |
|-------------------|--------|-----|-----|-----|-----|-------|
| FHECCWS.29345829L | 1.25" | 29" | 34" | 58" | 29" | \$636 |
| FHECCWS.29345829R | 1.25" | 29" | 34" | 58" | 29" | \$636 |
| FHECCWS.29346429L | 1.25" | 29" | 34" | 64" | 29" | \$701 |
| FHECCWS.29346429R | 1.25" | 29" | 34" | 64" | 29" | \$701 |
| FHECCWS.29347029L | 1.25" | 29" | 34" | 70" | 29" | \$711 |
| FHECCWS.29347029R | 1.25" | 29" | 34" | 70" | 29" | \$711 |
| FHECCWS.29347629L | 1.25" | 29" | 34" | 76" | 29" | \$842 |
| FHECCWS.29347629R | 1.25" | 29" | 34" | 76" | 29" | \$842 |
| FHECCWS.29348229L | 1.25" | 29" | 34" | 82" | 29" | \$973 |
| FHECCWS.29348229R | 1.25" | 29" | 34" | 82" | 29" | \$973 |

**23" D CONNECTING SIDE
23" D EXTENSION
40" D**

| PART # | HEIGHT | A | B | C | D | PRICE |
|-------------------|--------|-----|-----|-----|-----|---------|
| FHECCWS.23405823L | 1.25" | 23" | 40" | 58" | 23" | \$698 |
| FHECCWS.23405823R | 1.25" | 23" | 40" | 58" | 23" | \$698 |
| FHECCWS.23406423L | 1.25" | 23" | 40" | 64" | 23" | \$786 |
| FHECCWS.23406423R | 1.25" | 23" | 40" | 64" | 23" | \$786 |
| FHECCWS.23407023L | 1.25" | 23" | 40" | 70" | 23" | \$797 |
| FHECCWS.23407023R | 1.25" | 23" | 40" | 70" | 23" | \$797 |
| FHECCWS.23407623L | 1.25" | 23" | 40" | 76" | 23" | \$966 |
| FHECCWS.23407623R | 1.25" | 23" | 40" | 76" | 23" | \$966 |
| FHECCWS.23408223L | 1.25" | 23" | 40" | 82" | 23" | \$1,135 |
| FHECCWS.23408223R | 1.25" | 23" | 40" | 82" | 23" | \$1,135 |

**29" D CONNECTING SIDE
29" D EXTENSION
40" D**

| PART # | HEIGHT | A | B | C | D | PRICE |
|-------------------|--------|-----|-----|-----|-----|---------|
| FHECCWS.29405829L | 1.25" | 29" | 40" | 58" | 29" | \$752 |
| FHECCWS.29405829R | 1.25" | 29" | 40" | 58" | 29" | \$752 |
| FHECCWS.29406429L | 1.25" | 29" | 40" | 64" | 29" | \$839 |
| FHECCWS.29406429R | 1.25" | 29" | 40" | 64" | 29" | \$839 |
| FHECCWS.29407029L | 1.25" | 29" | 40" | 70" | 29" | \$851 |
| FHECCWS.29407029R | 1.25" | 29" | 40" | 70" | 29" | \$851 |
| FHECCWS.29407629L | 1.25" | 29" | 40" | 76" | 29" | \$1,021 |
| FHECCWS.29407629R | 1.25" | 29" | 40" | 76" | 29" | \$1,021 |
| FHECCWS.29408229L | 1.25" | 29" | 40" | 82" | 29" | \$1,191 |
| FHECCWS.29408229R | 1.25" | 29" | 40" | 82" | 29" | \$1,191 |

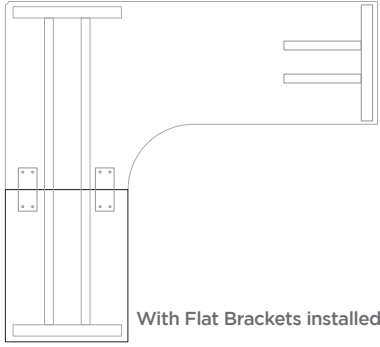
**23" D CONNECTING SIDE
23" D EXTENSION
46" D**

| PART # | HEIGHT | A | B | C | D | PRICE |
|-------------------|--------|-----|-----|-----|-----|---------|
| FHECCWS.23465823L | 1.25" | 23" | 46" | 58" | 23" | \$709 |
| FHECCWS.23465823R | 1.25" | 23" | 46" | 58" | 23" | \$709 |
| FHECCWS.23466423L | 1.25" | 23" | 46" | 64" | 23" | \$797 |
| FHECCWS.23466423R | 1.25" | 23" | 46" | 64" | 23" | \$797 |
| FHECCWS.23467023L | 1.25" | 23" | 46" | 70" | 23" | \$815 |
| FHECCWS.23467023R | 1.25" | 23" | 46" | 70" | 23" | \$815 |
| FHECCWS.23467623L | 1.25" | 23" | 46" | 76" | 23" | \$993 |
| FHECCWS.23467623R | 1.25" | 23" | 46" | 76" | 23" | \$993 |
| FHECCWS.23468223L | 1.25" | 23" | 46" | 82" | 23" | \$1,171 |
| FHECCWS.23468223R | 1.25" | 23" | 46" | 82" | 23" | \$1,171 |

**29" D CONNECTING SIDE
29" D EXTENSION
46" D**

| PART # | HEIGHT | A | B | C | D | PRICE |
|-------------------|--------|-----|-----|-----|-----|---------|
| FHECCWS.29465829L | 1.25" | 29" | 46" | 58" | 29" | \$764 |
| FHECCWS.29465829R | 1.25" | 29" | 46" | 58" | 29" | \$764 |
| FHECCWS.29466429L | 1.25" | 29" | 46" | 64" | 29" | \$851 |
| FHECCWS.29466429R | 1.25" | 29" | 46" | 64" | 29" | \$851 |
| FHECCWS.29467029L | 1.25" | 29" | 46" | 70" | 29" | \$870 |
| FHECCWS.29467029R | 1.25" | 29" | 46" | 70" | 29" | \$870 |
| FHECCWS.29467629L | 1.25" | 29" | 46" | 76" | 29" | \$1,047 |
| FHECCWS.29467629R | 1.25" | 29" | 46" | 76" | 29" | \$1,047 |
| FHECCWS.29468229L | 1.25" | 29" | 46" | 82" | 29" | \$1,224 |
| FHECCWS.29468229R | 1.25" | 29" | 46" | 82" | 29" | \$1,224 |

Rectangular Extension



DESCRIPTION

Laminate worksurface, for use with extended curved corner worksurfaces, not for use alone.

NOTES

- For use in combination with Extended Corner Worksurfaces and Corner My-Hite Bases only
- Not for use alone, nor with straight bases
- Maximum width combined: 72x96" or 84x84"

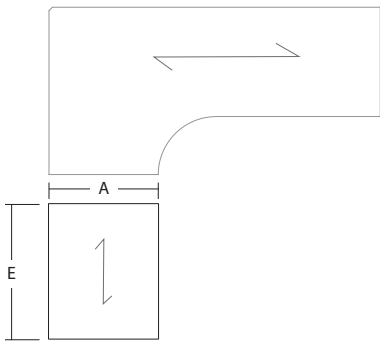
SPECIFICATION OPTIONS

product #: See charts below
worksurface finish: See page 9

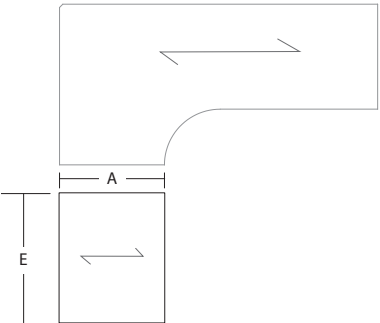
ORDER EXAMPLE

product #: FHRWS.2324
worksurface: Light Maple, M1

RECTANGULAR WORKSURFACE

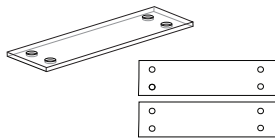


| PART # | DEPTH "A" | WIDTH "E" | LIST | NOTES |
|------------|-----------|-----------|-------|--|
| FHRWS.2324 | 23" | 24" | \$241 | • Standard default grain direction is left to right (See left) |
| FHRWS.2330 | 23" | 30" | \$276 | |
| FHRWS.2336 | 23" | 36" | \$285 | |
| FHRWS.2924 | 29" | 24" | \$320 | |
| FHRWS.2930 | 29" | 30" | \$365 | |
| FHRWS.2936 | 29" | 36" | \$374 | |



| PART # | DEPTH "A" | WIDTH "E" | LIST | NOTES |
|---------------|-----------|-----------|-------|---|
| FHRWS.2324-CG | 23" | 24" | \$289 | • Cross grain direction is front to back (See left) |
| FHRWS.2330-CG | 23" | 30" | \$331 | |
| FHRWS.2336-CG | 23" | 36" | \$342 | |
| FHRWS.2924-CG | 29" | 24" | \$384 | |
| FHRWS.2930-CG | 29" | 30" | \$438 | |
| FHRWS.2936-CG | 29" | 36" | \$449 | |

FLAT BRACKET



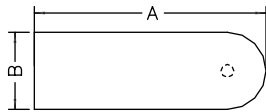
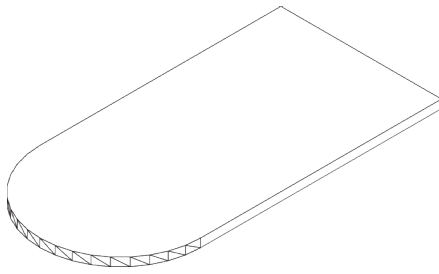
| PART # | WIDTH | DEPTH | PRICE | NOTES |
|---------|-------|-------|-------|---|
| FVFB.08 | 8" | 2" | \$30 | <ul style="list-style-type: none"> • Used to unite two worksurfaces supported by one base • Black finish • Sold in pairs |

ANTI-SAG BARS



| PART # | WIDTH | LIST | NOTES |
|----------|-------|-------|---|
| FWASB.42 | 42" | \$95 | • Anti-Sag bar, 42" wide with (8) screws. For use with 48 & 54" worktops |
| FWASB.54 | 54" | \$121 | • Anti-Sag bar, 54" wide with (10) screws. For use with 60 & 66" worktops |
| FWASB.66 | 66" | \$146 | • Anti-Sag bar, 66" wide with (12) screws. For use with 72 & 78" worktops |

D-Shaped | Worksurface For Use w/ MY-HITE Bases



DESCRIPTION

Worksurface top only, for use with height adjustable base within workstation application

NOTES

- Add grommet (add \$75 list)
Specify GL, GC, GR
- Order base separately from MY-HITE pricebook

Note: Top size reduced 1" in depth and 2" in width to fit within system workstation and prevent pinch points. We do not recommend using full size worktop in paneled workstation applications.

SPECIFICATION OPTIONS

product #: see charts below
top, edge finish: worksurface finish:
see page 9

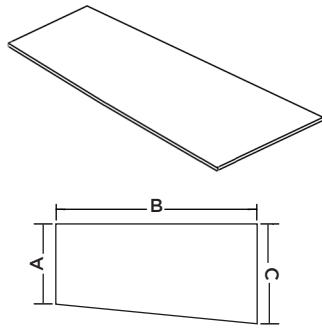
ORDER EXAMPLE

product #: FHEDSP.2346
edge finish: DT Dark Tone, E12
worksurface finish: Espresso, M10
grommet: GC (Rear Center)

SQUARE EDGE D-SHAPED

| PART # | HEIGHT | A | B | C | D | PRICE |
|-------------|--------|-----|-----|---|---|-------|
| FHEDSP.2346 | 1.25" | 46" | 23" | — | — | \$463 |
| FHEDSP.2358 | 1.25" | 58" | 23" | — | — | \$516 |
| FHEDSP.2946 | 1.25" | 46" | 29" | — | — | \$507 |
| FHEDSP.2958 | 1.25" | 58" | 29" | — | — | \$562 |
| FHEDSP.2970 | 1.25" | 70" | 29" | — | — | \$615 |
| FHEDSP.3570 | 1.25" | 70" | 35" | — | — | \$677 |

Wedge | Worksurface For Use w/ MY-HITE Bases



| DESCRIPTION | SPECIFICATION OPTIONS |
|-------------|-----------------------|
|-------------|-----------------------|

Worksurface top only, for use with height adjustable base within workstation application

product #: see charts below
top, edge finish: worksurface finish:
 See page 9

| NOTES | ORDER EXAMPLE |
|-------|---------------|
|-------|---------------|

- Add grommet (add \$75 list)
Specify GL, GC, GR
- Order base separately from MY-HITE pricebook

product #: FHWDWS.234029
edge finish: DT Dark Tone, E12
worksurface finish: Espresso, M10
grommet: GC (Rear Center)

Note: Top size reduced 1" in depth and 2" in width to fit within system workstation and prevent pinch points. We do not recommend using full size worktop in paneled workstation applications.

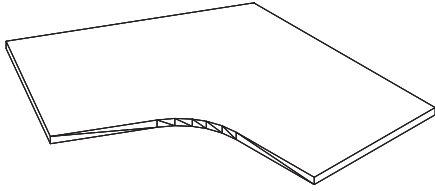
23"D LEFT 29"D RIGHT

| PART # | HEIGHT | A | B | C | D | PRICE |
|---------------|--------|-----|-----|-----|---|-------|
| FHWDWS.234029 | 1.25" | 23" | 40" | 29" | — | \$358 |
| FHWDWS.234629 | 1.25" | 23" | 46" | 29" | — | \$366 |
| FHWDWS.235229 | 1.25" | 23" | 52" | 29" | — | \$415 |
| FHWDWS.235829 | 1.25" | 23" | 58" | 29" | — | \$445 |
| FHWDWS.236429 | 1.25" | 23" | 64" | 29" | — | \$496 |
| FHWDWS.237029 | 1.25" | 23" | 70" | 29" | — | \$507 |
| FHWDWS.237629 | 1.25" | 23" | 76" | 29" | — | \$589 |

29"D LEFT 23"D RIGHT

| PART # | HEIGHT | A | B | C | D | PRICE |
|---------------|--------|-----|-----|-----|---|-------|
| FHWDWS.294023 | 1.25" | 29" | 40" | 23" | — | \$358 |
| FHWDWS.294623 | 1.25" | 29" | 46" | 23" | — | \$366 |
| FHWDWS.295223 | 1.25" | 29" | 52" | 23" | — | \$415 |
| FHWDWS.295823 | 1.25" | 29" | 58" | 23" | — | \$445 |
| FHWDWS.296423 | 1.25" | 29" | 64" | 23" | — | \$496 |
| FHWDWS.297023 | 1.25" | 29" | 70" | 23" | — | \$507 |
| FHWDWS.297623 | 1.25" | 29" | 76" | 23" | — | \$589 |

120° Corner / 90° Ends | Worksurface For Use w/ MY-HITE Bases



DESCRIPTION

Worksurface top only, for use with height adjustable base within workstation application

NOTES

- Add grommet (add \$75 list)
Specify GL, GC, GR
- Order base separately from MY-HITE pricebook

Note: Top size reduced 1" in depth and 2" in width to fit within system workstation and prevent pinch points. We do not recommend using full size worktop in paneled workstation applications.

SPECIFICATION OPTIONS

product #: see charts below
top, edge finish: **worksurface finish:**
See page 9

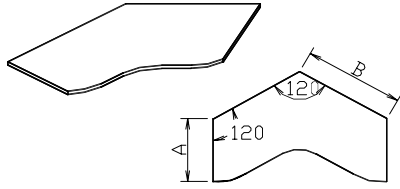
ORDER EXAMPLE

product #: FH120-90WS.2436
edge finish: DT Dark Tone, E12
worksurface finish: Espresso, M10
grommet: GC (Rear Center)

120° CORNER 90° ENDS

| PART # | HEIGHT | A | B | C | D | PRICE |
|-----------------|--------|-----|-----|---|---|---------|
| FH120-90WS.2334 | 1.25" | 23" | 34" | — | — | \$662 |
| FH120-90WS.2340 | 1.25" | 23" | 40" | — | — | \$816 |
| FH120-90WS.2346 | 1.25" | 23" | 46" | — | — | \$1,017 |

120° Corner / 120° Ends | Worksurface For Use w/ MY-HITE Bases



DESCRIPTION

Worksurface top only, for use with height adjustable base within workstation application

NOTES

- Add grommet (add \$75 list)
Specify GL, GC, GR
- Order base separately from MY-HITE pricebook

Note: Top size reduced 1" in depth and 2" in with to fit within system workstation and prevent pinch points. We do not recommend using full size worktop in paneled workstation applications.

SPECIFICATION OPTIONS

product #: see charts below
top, edge finish: worksurface finish:
see page 9

ORDER EXAMPLE

product #: FH120-120WS.2436
edge finish: DT Dark Tone, E12
worksurface finish: Espresso, M10
grommet: GC (Rear Center)

**120° CORNER
120° ENDS**

| PART # | HEIGHT | A | B | C | D | PRICE |
|------------------|--------|-----|-----|---|---|---------|
| FH120-120WS.2334 | 1.25" | 23" | 34" | — | — | \$662 |
| FH120-120WS.2340 | 1.25" | 23" | 40" | — | — | \$816 |
| FH120-120WS.2346 | 1.25" | 23" | 46" | — | — | \$1,017 |

Grommets

DESCRIPTION

3" plastic grommet for use with worksurfaces.

NOTES

- All worksurfaces, except corner worksurfaces, do not include grommets.
- Corner worksurface include grommet (in corner)

SPECIFICATION OPTIONS

product #: see charts below

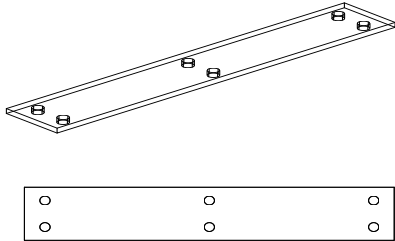
ORDER EXAMPLE

product #: FIG.BU (Black Umber finish)

GROMMET

| PART # | PRICE | NOTES |
|-------------------------|-------|---|
| FIG.BU (Black Umber) | \$2 | <ul style="list-style-type: none"> • Grommet color included with worksurface is standard. • Order separately for other color. |
| FIG.CW (Cloud White) | \$2 | |
| FIG.SV (Silver) | \$2 | |

Flat Bracket



DESCRIPTION

This flat bracket is used to support two worksurfaces when a support leg or panel leg is inappropriate.

NOTES

SPECIFICATION OPTIONS

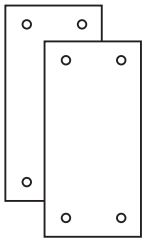
product #: see charts below

ORDER EXAMPLE

product #: FHFB.18

| PART # | HEIGHT | A | B | C | D | WT. (LBS) | LIST |
|---------|--------|-----|---|---|---|-----------|------|
| FHFB.18 | 3" | 18" | — | — | — | 1 | \$43 |

Mending Plates



DESCRIPTION

This Mending Plate is to be ordered if you're placing corner worksurface next to another corner worksurface without a rectangular worksurface return. Mending plate size is 2" x 4"

NOTES

- Sold in pairs

SPECIFICATION OPTIONS

product #: see charts below

ORDER EXAMPLE

product #: FASS22-0-ZN

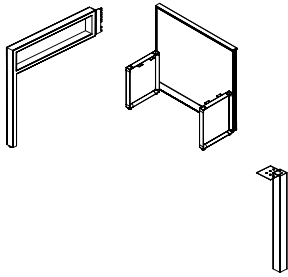
| PART # | HEIGHT | A | B | C | D | WT. (LBS) | PRICE |
|-------------|--------|---|---|---|---|-----------|-------|
| FASS22-0-ZN | — | — | — | — | — | 1 | \$5 |

Anti-Sag Bars



| PART # | WIDTH | LIST | NOTES |
|----------|-------|-------|---|
| FWASB.42 | 42" | \$95 | • Anti-Sag bar, 42" wide with (8) screws. For use with 48 & 54" worktops |
| FWASB.54 | 54" | \$121 | • Anti-Sag bar, 54" wide with (10) screws. For use with 60 & 66" worktops |
| FWASB.66 | 66" | \$146 | • Anti-Sag bar, 66" wide with (12) screws. For use with 72 & 78" worktops |

Supports



DESCRIPTION

Provides support to the worksurface.

NOTES

- Use with frame and wall strip worksurfaces

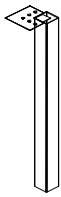
SPECIFICATION OPTIONS

product #: see charts below
support finish: page 10

ORDER EXAMPLE

product #: FHTMLD.24
support finish: CW Cloud White

SQUARE POST LEG

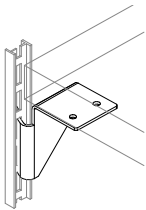


| PART # | HEIGHT | WIDTH | DEPTH | WT. (LBS) | LIST |
|---------|--------|-------|-------|-----------|-------|
| FHSPL.2 | 27.5" | 2" | 2" | .25 | \$95 |
| FHSPL.3 | 27.5" | 3" | 3" | .25 | \$134 |

NOTES

Attaches to the underside of a worksurface and has an adjustable glide.

CORNER BRACKET



Right Handed shown

| PART # | HEIGHT | WIDTH | DEPTH | WT. (LBS) | LIST |
|---------|--------|-------|-------|-----------|------|
| FHWSB.L | 2.75" | — | 2.5" | .25 | \$13 |
| FHWSB.R | 2.75" | — | 2.5" | .25 | \$13 |

NOTES

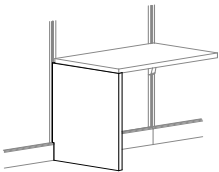
Attaches to the front corner of a hanging worksurface to provide additional support when the return panel matches the worksurface depth.

Also used as support for the back corner of a corner worksurface.

Specify left or right.

Color: Black

SUPPORT END PANEL

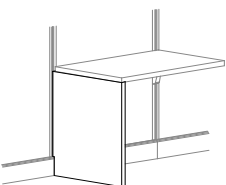


| PART # | HEIGHT | WIDTH | DEPTH | WT. (LBS) | LIST |
|----------------|--------|-------|-------|-----------|-------|
| FHWSSEP.24-MEL | 27.75" | 1.25" | 24" | 26 | \$349 |
| FHWSSEP.30-MEL | 27.75" | 1.25" | 30" | 32 | \$390 |

NOTES

Attaches to a worksurface and a frame or wall strip.

SUPPORT END PANEL



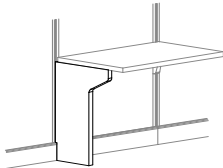
| PART # | HEIGHT | WIDTH | DEPTH | WT. (LBS) | PRICE |
|---------------|--------|-------|-------|-----------|-------|
| FWSSEP.24-LAM | 27.75" | 1.25" | 24" | 26 | \$385 |
| FWSSEP.30-LAM | 27.75" | 1.25" | 30" | 32 | \$442 |

Attaches to a worksurface and a frame or wall strip.

This panel uses a Hardsurface Panel Finish. See page 9 for finish options.

Supports continued

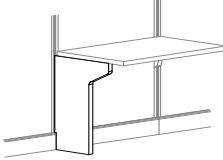
WORKSURFACE SUPPORT P-LEG



| PART # | HEIGHT | WIDTH | DEPTH | WT.(LBS) | PRICE |
|----------------|--------|-------|-------|----------|-------|
| FHWSSPL.24-MEL | 27.75" | 1.25" | 24" | 17 | \$257 |
| FHWSSPL.30-MEL | 27.75" | 1.25" | 30" | 20 | \$296 |

- Attaches to a worksurface and a frame or wall strip.
- Finishes: DT, MT, LG, BU or CW

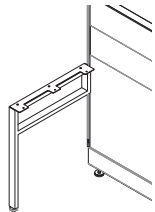
WORKSURFACE SUPPORT P-LEG



| PART # | HEIGHT | WIDTH | DEPTH | WT. (LBS) | PRICE |
|----------------|--------|-------|-------|-----------|-------|
| FHWSSPL.24-LAM | 27.75" | 1.25" | 24" | 17 | \$386 |
| FHWSSPL.30-LAM | 27.75" | 1.25" | 30" | 20 | \$420 |

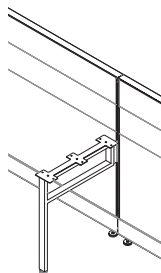
- Attaches to a worksurface and a frame or wall strip.
- This panel uses a Hardsurface Panel Finish. See page 9 for finish options.

SQUARE METAL P LEG SINGLE SUPPORT



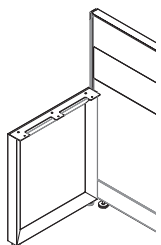
| PART # | HEIGHT | WIDTH | DEPTH | WT. (LBS) | LIST | NOTES |
|-----------|--------|-------|-------|-----------|-------|--|
| FHSMLS.24 | 27.5" | 1.25" | 24" | 17 | \$152 | <ul style="list-style-type: none"> • This support attaches to a worksurface and a frame or wall strip. It provides support for a single worksurface. • To convert from left handed to right handed, remove attachment brackets, and reinstall in the position needed. • Specify the depth of the worksurface support to match the depth of the worksurface. |
| FHSMLS.30 | 27.5" | 1.25" | 30" | 20 | \$173 | |

SQUARE METAL P LEG DOUBLE SUPPORT



| PART # | HEIGHT | WIDTH | DEPTH | WT. (LBS) | LIST | NOTES |
|-----------|--------|-------|-------|-----------|-------|--|
| FHSMLD.24 | 27.5" | 1.25" | 24" | 17 | \$168 | <ul style="list-style-type: none"> • This support attaches to a worksurface and a frame or wall strip. It provides support for two worksurfaces. • Specify the depth of the worksurface support to match the depth of the worksurface. |
| FHSMLD.30 | 27.5" | 1.25" | 30" | 20 | \$191 | |

SQUARE CORNER TRIANGLE SHAPE LEG SINGLE SUPPORT



| PART # | HEIGHT | WIDTH | DEPTH | WT. (LBS) | LIST | NOTES |
|------------|--------|-------|-------|-----------|-------|--|
| FHTMLDS.24 | 27.5" | 1.25" | 24" | 26 | \$185 | <ul style="list-style-type: none"> • This support leg attaches to a worksurface and a frame or wall strip. It provides support for a single worksurface. • To convert to a left or right support, remove the top bar and reinstall it in the desired position. • Specify the depth of the support leg to match the depth of the worksurface. • Includes all attachment hardware. |
| FHTMLDS.30 | 27.5" | 1.25" | 30" | 32 | \$209 | |

Supports continued

SQUARE CORNER TRIANGLE SHAPE LEG DOUBLE SUPPORT

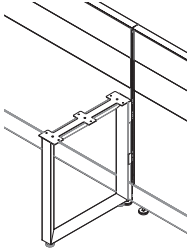
| PART # | HEIGHT | WIDTH | DEPTH | WT. (LBS) | LIST |
|------------|--------|-------|-------|-----------|-------|
| FHTMLDD.24 | 27.5" | 1.25" | 24" | 26 | \$198 |
| FHTMLDD.30 | 27.5" | 1.25" | 30" | 32 | \$226 |

NOTES

This support leg attaches to a worksurface and a frame or wall strip. It provides support for two worksurfaces.

Specify the depth of the support leg to match the depth of the worksurface.

Includes all attachment hardware.



WORKSURFACE SUPPORT BRACKETS

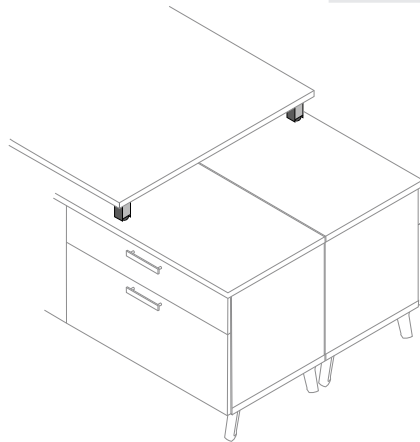
| PART # | HEIGHT | PRICE |
|-----------|--------|-------|
| FSPL.CRED | 2.75" | \$193 |

NOTES

Worksurface support brackets (pair)

Credenza mounted. For use with FCREDSQ.

Finishes: CW, MT, DT, BU



Supports continued

TAPER & INSET LEGS

DESCRIPTION

Taper and Inset Legs for use with the Novo workstation

NOTES

- Systems angled leg

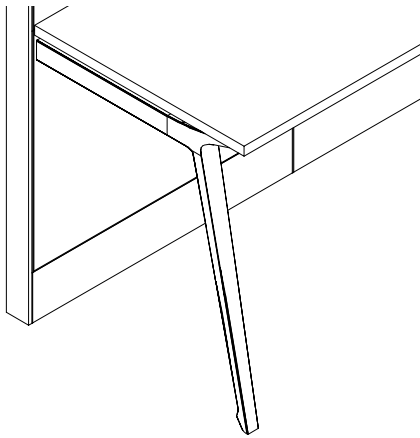
SPECIFICATION OPTIONS

product #: see charts below
finish: CW Cloud White, SV Silver, BU Black Umber

ORDER EXAMPLE

product # FHATPL.24
finish: CW Cloud White

TAPER LEGS

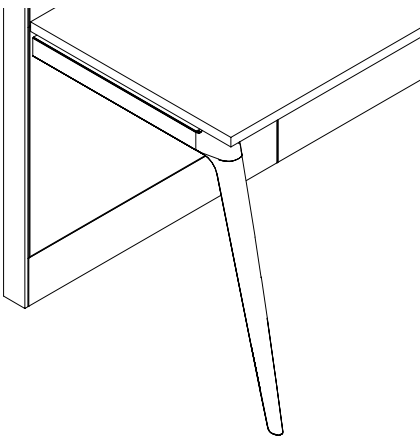


| PART # | HEIGHT | DEPTH | LIST |
|-----------|--------|-------|-------|
| FHATPL.24 | 27.5" | 24" | \$529 |
| FHATPL.30 | 27.5" | 30" | \$540 |

NOTES

- Attaches to the underside of a worksurface

INSET LEGS



| PART # | HEIGHT | DEPTH | LIST |
|-----------|--------|-------|-------|
| FHAINL.24 | 27.5" | 24" | \$446 |
| FHAINL.30 | 27.5" | 30" | \$456 |

NOTES

- Attaches to the underside of a worksurface

COMPONENTS

Components

DESCRIPTION

Components for the workstation.

SPECIFICATION OPTIONS

product #: see charts below
finish: page 10

NOTES

ORDER EXAMPLE

product #: FPD
finish: CW Cloud White

LED TASKLIGHT



| PART # | HEIGHT | WIDTH | DEPTH | WT. (LBS) | LIST |
|---------|--------|-------|-------|-----------|-------|
| FLED.20 | 0.75" | 20" | 1" | 1 | \$232 |
| FLED.38 | 0.75" | 38" | 1" | 2 | \$292 |

NOTES

Attaches beneath a shelf or storage cabinet.

It includes an LED light, motion sensor, power cord and installation hardware. The cord for the tasklight is 6 ft. long.

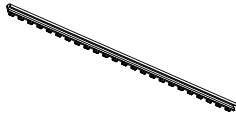
Has a pivot range of +/-15°.

For overheads 24"-36" use FLED.20

For overheads 42" or wider use FLED.38

Finish: Silver

WIRE MANAGER



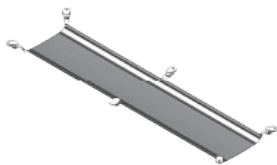
| PART # | HEIGHT | WIDTH | DEPTH | WT. (LBS) | LIST |
|---------|--------|-------|-------|-----------|------|
| F2WM.24 | 24" | .5" | — | 1 | \$23 |

NOTES

This Wire Manager is used to manage electrical cords vertically. It fits between side-by-side panels, or between a panel and a connector.

Finish: Black.

MESH WIRE MANAGER

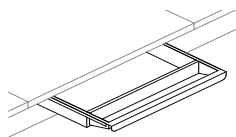


| PART # | LENGTH | PRICE |
|---------|--------|-------|
| FFWM.18 | 18" | \$125 |
| FFWM.34 | 34" | \$125 |

NOTES

- Wire manager mounts to the bottom of a worksurface to manage cords
- Finish: Black with red zipper

PENCIL DRAWER



| PART # | HEIGHT | WIDTH | DEPTH | WT. (LBS) | LIST |
|--------|--------|---------|--------|-----------|-------|
| FPD | 1.875" | 21.125" | 16.25" | 5 | \$198 |

NOTES

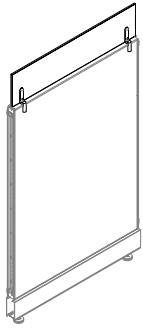
Stores small items.

Attaches under worksurface.

Includes attachment hardware.

Finish: DT Dark Tone, MT Medium Tone.

Frameless Glass Clear



DESCRIPTION

SPECIFICATION OPTIONS

product #: see charts below

NOTES

- Frameless Glass screens are attached to the top of a single frame with included hardware.
- Matches width of the frame.
- Package contains 2.
- Frameless glass will not fit between two taller panels at change of height. Frameless glass is narrow enough to accommodate adjacent change of height trim on one side, but not both.

ORDER EXAMPLE

product #: FHFG.0824-CL

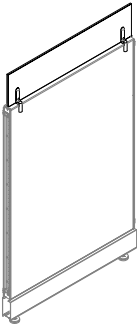
FRAMELESS GLASS 8" CLEAR

| PART # | HEIGHT | WIDTH | DEPTH | WT. (LBS) | LIST | NOTES |
|--------------|--------|---------|-------|-----------|-------|---|
| F2FG.0824-CL | 8" | 23-1/4" | — | — | \$349 | Includes attachment hardware, brushed finish. |
| F2FG.0830-CL | 8" | 29-1/4" | — | — | \$377 | |
| F2FG.0836-CL | 8" | 35-1/4" | — | — | \$403 | Package contains 2. |
| F2FG.0842-CL | 8" | 41-1/4" | — | — | \$431 | |
| F2FG.0848-CL | 8" | 47-1/4" | — | — | \$459 | |

FRAMELESS GLASS 14" CLEAR

| PART # | HEIGHT | WIDTH | DEPTH | WT. (LBS) | LIST | NOTES |
|--------------|--------|---------|-------|-----------|-------|---|
| F2FG.1424-CL | 14" | 23-1/4" | — | — | \$431 | Includes attachment hardware, brushed finish. |
| F2FG.1430-CL | 14" | 29-1/4" | — | — | \$478 | |
| F2FG.1436-CL | 14" | 35-1/4" | — | — | \$523 | Package contains 2. |
| F2FG.1442-CL | 14" | 41-1/4" | — | — | \$568 | |
| F2FG.1448-CL | 14" | 47-1/4" | — | — | \$617 | |

Frameless Glass Frosted



DESCRIPTION

SPECIFICATION OPTIONS

product #: see charts below

NOTES

- Frameless Glass screens are attached to the top of a single frame with included hardware.
- Matches width of the frame.
- Package contains 2.
- Frameless glass will not fit between two taller panels at change of height. Frameless glass is narrow enough to accommodate adjacent change of height trim on one side, but not both.

ORDER EXAMPLE

product #: FHFG.0824-FR

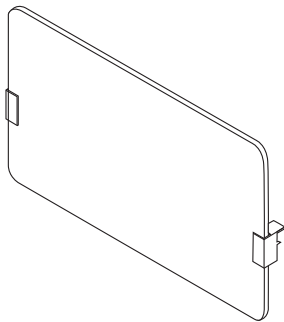
FRAMELESS GLASS 8" FROSTED

| PART # | HEIGHT | WIDTH | DEPTH | WT. (LBS) | LIST | NOTES |
|--------------|--------|---------|-------|-----------|-------|---|
| F2FG.0824-FR | 8" | 23-1/4" | — | — | \$401 | Includes attachment hardware, brushed finish. |
| F2FG.0830-FR | 8" | 29-1/4" | — | — | \$454 | |
| F2FG.0836-FR | 8" | 35-1/4" | — | — | \$506 | Package contains 2. |
| F2FG.0842-FR | 8" | 41-1/4" | — | — | \$559 | |
| F2FG.0848-FR | 8" | 47-1/4" | — | — | \$611 | |

FRAMELESS GLASS 14" FROSTED

| PART # | HEIGHT | WIDTH | DEPTH | WT. (LBS) | LIST | NOTES |
|--------------|--------|---------|-------|-----------|-------|---|
| F2FG.1424-FR | 14" | 23-1/4" | — | — | \$559 | Includes attachment hardware, brushed finish. |
| F2FG.1430-FR | 14" | 29-1/4" | — | — | \$647 | |
| F2FG.1436-FR | 14" | 35-1/4" | — | — | \$735 | Package contains 2. |
| F2FG.1442-FR | 14" | 41-1/4" | — | — | \$821 | |
| F2FG.1448-FR | 14" | 47-1/4" | — | — | \$915 | |

Privacy Screen, Fabric



DESCRIPTION

Work Surface mounted fabric covered privacy screen

NOTES

Fabric screen is non-tackable

Actual screen is shorter than the worktop.

Example: FPSFLUSH.2448 for use on 46"/48" width table, actual width of screen is 40"

Fabric covered privacy screens have Black Reveal.

Passage and Terrain fabric not approved for this application

SPECIFICATION OPTIONS

product #: see charts below

Paint (Brackets): CW, BU, SV

fabric: see page 6 (Passage and Terrain fabric not approved for this application)

ORDER EXAMPLE

product #: FPSFLUSH.2442

brackets: SV, Silver

fabric: PF-101-1, Slide, Caramel

Fabric Privacy Screen - Flush

| PART # | HEIGHT | WIDTH | LIST |
|---------------|--------|-------|-------|
| FPSFLUSH.2442 | 24" | 34" | \$480 |
| FPSFLUSH.2448 | 24" | 40" | \$520 |
| FPSFLUSH.2454 | 24" | 46" | \$560 |
| FPSFLUSH.2460 | 24" | 52" | \$601 |
| FPSFLUSH.2466 | 24" | 58" | \$642 |
| FPSFLUSH.2472 | 24" | 64" | \$683 |

NOTES

- Privacy screen sits flush with the back of the worktop.
- Fabric covered privacy screens have Black Reveal.
- Privacy screen is 8" shorter than free standing top width and 6" shorter than a worksurface from a paneled system.

Example:

1. Actual width of FPSFLUSH.2460 is 52"

Fabric Privacy Screen - with Wire Management Gap

| PART # | HEIGHT | WIDTH | LIST |
|-------------|--------|-------|-------|
| FPSGAP.2442 | 24" | 34" | \$480 |
| FPSGAP.2448 | 24" | 40" | \$520 |
| FPSGAP.2454 | 24" | 46" | \$560 |
| FPSGAP.2460 | 24" | 52" | \$601 |
| FPSGAP.2466 | 24" | 58" | \$642 |
| FPSGAP.2472 | 24" | 64" | \$683 |

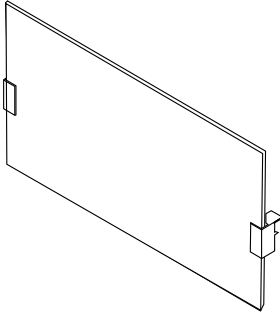
NOTES

- Fabric covered privacy screens have Black Reveal.
- With 1" gap at back of worksurface for cord/wire management.

Example:

1. Actual width of FPSGAP.2460 is 52"

Privacy Screen, Marker Board



DESCRIPTION

Work Surface mounted marker board privacy screen

NOTES

To use a wire manager on your My-Hite table with a **marker board** privacy screen, you must order "with gap".

Actual screen is shorter than the worktop.

Example: FMPSFLUSH.2448 for use on 46"/48" width table, actual width of screen is 40"

SPECIFICATION OPTIONS

product #: see charts below
Paint (Brackets): CW, BU, SV
w

ORDER EXAMPLE

product #: FMPSFLUSH.2448
brackets: SV, Silver

Marker Board Privacy Screen - Flush

| PART # | HEIGHT | WIDTH | LIST |
|----------------|--------|-------|---------|
| FMPSFLUSH.2442 | 24" | 34" | \$621 |
| FMPSFLUSH.2448 | 24" | 40" | \$711 |
| FMPSFLUSH.2454 | 24" | 46" | \$801 |
| FMPSFLUSH.2460 | 24" | 52" | \$892 |
| FMPSFLUSH.2466 | 24" | 58" | \$982 |
| FMPSFLUSH.2472 | 24" | 64" | \$1,073 |

NOTES

- Privacy screen sits flush with the back of the worktop.
- Privacy screen is 8" shorter than free standing top width and 6" shorter than a worksurface from a paneled system.

Example:

1. Actual width of FMPSFLUSH.2460 is 52"

Marker Board Privacy Screen - with Wire Management Gap

| PART # | HEIGHT | WIDTH | LIST |
|--------------|--------|-------|---------|
| FMPSGAP.2442 | 24" | 34" | \$621 |
| FMPSGAP.2448 | 24" | 40" | \$711 |
| FMPSGAP.2454 | 24" | 46" | \$801 |
| FMPSGAP.2460 | 24" | 52" | \$892 |
| FMPSGAP.2466 | 24" | 58" | \$982 |
| FMPSGAP.2472 | 24" | 64" | \$1,073 |

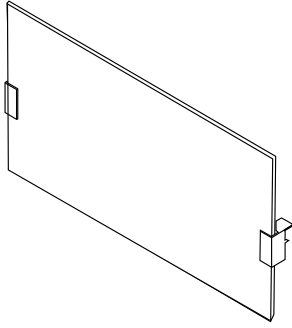
NOTES

- With 1" gap at back of worksurface for cord/wire management.

Example:

1. Actual width of FMPSGAP.2460 is 52"

Privacy Screen, Laminate



DESCRIPTION

Work Surface mounted laminate privacy screen

NOTES

To use a wire manager on your My-Hite table with a laminate privacy screen, you must order "with gap".

Actual screen is shorter than the worktop.

Example: FPSFLUSH.2448 for use on 46"/48" width table, actual width of screen is 40"

SPECIFICATION OPTIONS

product #: see charts below
Paint (Brackets): CW, BU, SV
finish: see page 9

ORDER EXAMPLE

product #: FLPSFLUSH.2442
brackets: SV, Silver

Laminate Privacy Screen - Flush

| PART # | HEIGHT | WIDTH | LIST |
|----------------|--------|-------|-------|
| FLPSFLUSH.2442 | 24" | 34" | \$327 |
| FLPSFLUSH.2448 | 24" | 40" | \$364 |
| FLPSFLUSH.2454 | 24" | 46" | \$400 |
| FLPSFLUSH.2460 | 24" | 52" | \$436 |
| FLPSFLUSH.2466 | 24" | 58" | \$473 |
| FLPSFLUSH.2472 | 24" | 64" | \$509 |

NOTES

- Privacy screen sits flush with the back of the worktop.
- Privacy screen is 8" shorter than free standing top width and 6" shorter than a worksurface from a paneled system.

Example:

1. Actual width of FLPSFLUSH.2460 is 52"

Laminate Privacy Screen - with Wire Management Gap

| PART # | HEIGHT | WIDTH | LIST |
|--------------|--------|-------|-------|
| FLPSGAP.2442 | 24" | 34" | \$327 |
| FLPSGAP.2448 | 24" | 40" | \$364 |
| FLPSGAP.2454 | 24" | 46" | \$400 |
| FLPSGAP.2460 | 24" | 52" | \$436 |
| FLPSGAP.2466 | 24" | 58" | \$473 |
| FLPSGAP.2472 | 24" | 64" | \$509 |

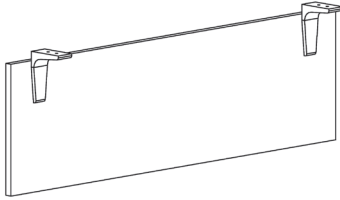
NOTES

- With 1" gap at back of worksurface for cord/wire management.

Example:

1. Actual width of FLPSGAP.2460 is 52"

Modesty Panel, Laminate



DESCRIPTION

Laminate modesty panel with matching 2mm PVC edge

NOTES

SPECIFICATION OPTIONS

product #: see charts below
Paint (Brackets) CW, BU, SV
Laminate (Modesty Panel) see page 9

ORDER EXAMPLE

product #: FLMOD.0836
paint: CW, Cloud White
laminate: M12, Medium Walnut

Laminate Modesty Panel

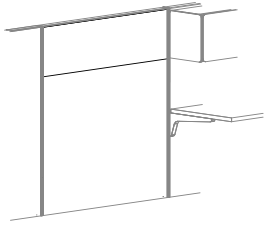
| PART # | HEIGHT | WIDTH | LIST |
|------------|--------|-------|-------|
| FLMOD.0836 | 8" | 36" | \$197 |
| FLMOD.0842 | 8" | 42" | \$204 |
| FLMOD.0848 | 8" | 48" | \$210 |
| FLMOD.0854 | 8" | 54" | \$253 |
| FLMOD.0860 | 8" | 60" | \$317 |
| FLMOD.0866 | 8" | 66" | \$323 |
| FLMOD.0872 | 8" | 72" | \$330 |
| FLMOD.0884 | 8" | 84" | \$342 |
| FLMOD.0896 | 8" | 96" | \$355 |

NOTES

- Modesty panel is actual width

| | | | |
|------------|-----|-----|-------|
| FLMOD.1636 | 16" | 36" | \$243 |
| FLMOD.1642 | 16" | 42" | \$249 |
| FLMOD.1648 | 16" | 48" | \$255 |
| FLMOD.1654 | 16" | 54" | \$336 |
| FLMOD.1660 | 16" | 60" | \$400 |
| FLMOD.1666 | 16" | 66" | \$406 |
| FLMOD.1672 | 16" | 72" | \$413 |
| FLMOD.1684 | 16" | 84" | \$425 |
| FLMOD.1696 | 16" | 96" | \$438 |

Tackboards



DESCRIPTION

Fabric covered tackable surface that attaches to panel or wall strips.

NOTES

- Includes attachment hardware.
- For "A" style components, call factory for availability
- Order tackboard to match panel width.

Passage and Terrain fabric not approved for this application

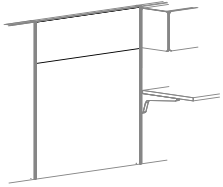
SPECIFICATION OPTIONS

product #: see charts below
fabric: see page 6 (Passage and Terrain fabric not approved for this application)

ORDER EXAMPLE

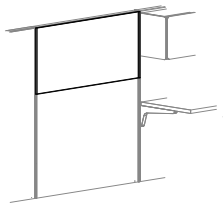
product #: FHTAKBS.0924
fabric: PF-101-1, Slide, Caramel

**"B" STYLE TACKBOARD
 SQUARE CORNERS
 CURVED TOP & BOTTOM
 8.5" HIGH**



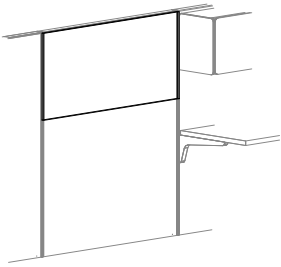
| PART # | HEIGHT | WIDTH | DEPTH | WT. (LBS) | LIST | GROUP 5 UPCHARGE |
|--------------|--------|-------|-------|-----------|-------|------------------|
| FHTAKBS.0924 | 8.5" | 24" | — | 3 | \$91 | \$10 |
| FHTAKBS.0930 | 8.5" | 30" | — | 4 | \$98 | \$10 |
| FHTAKBS.0936 | 8.5" | 36" | — | 4 | \$110 | \$12 |
| FHTAKBS.0942 | 8.5" | 42" | — | 5 | \$118 | \$12 |
| FHTAKBS.0948 | 8.5" | 48" | — | 6 | \$124 | \$12 |

**"B" STYLE TACKBOARD
 SQUARE CORNERS
 CURVED TOP & BOTTOM
 15.5" HIGH**



| PART # | HEIGHT | WIDTH | DEPTH | WT. (LBS) | LIST | GROUP 5 UPCHARGE |
|--------------|--------|-------|-------|-----------|-------|------------------|
| FHTAKBS.1624 | 15.5" | 24" | — | 6 | \$169 | \$18 |
| FHTAKBS.1630 | 15.5" | 30" | — | 7 | \$180 | \$18 |
| FHTAKBS.1636 | 15.5" | 36" | — | 9 | \$188 | \$20 |
| FHTAKBS.1642 | 15.5" | 42" | — | 10 | \$197 | \$20 |
| FHTAKBS.1648 | 15.5" | 48" | — | 11 | \$209 | \$22 |

Markerboards



DESCRIPTION

Markerboards have an erasable writing surface.

NOTES

- Marker and eraser not included
- Includes attachment hardware.
- For "A" style components, call factory for availability.
- Order markerboard to match panel width

SPECIFICATION OPTIONS

product #: see charts below

ORDER EXAMPLE

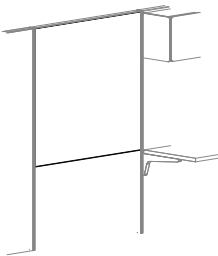
product #: F2MARBS.2424

"B" STYLE MARKERBOARD SQUARE CORNERS 24" HIGH



| PART # | HEIGHT | WIDTH | DEPTH | WT. (LBS) | LIST |
|--------------|--------|-------|-------|-----------|-------|
| F2MARBS.2424 | 24" | 24" | — | 3 | \$337 |
| F2MARBS.2430 | 24" | 30" | — | 4 | \$369 |
| F2MARBS.2436 | 24" | 36" | — | 4 | \$384 |
| F2MARBS.2442 | 24" | 42" | — | 5 | \$403 |
| F2MARBS.2448 | 24" | 48" | — | 6 | \$418 |
| F2MARBS.2460 | 24" | 60" | — | 7 | \$477 |

"B" STYLE MARKERBOARD SQUARE CORNERS 48" HIGH



| PART # | HEIGHT | WIDTH | DEPTH | WT. (LBS) | LIST |
|--------------|--------|-------|-------|-----------|-------|
| F2MARBS.4824 | 48" | 24" | — | 20 | \$418 |
| F2MARBS.4830 | 48" | 30" | — | 24 | \$469 |
| F2MARBS.4836 | 48" | 36" | — | 30 | \$529 |
| F2MARBS.4842 | 48" | 42" | — | 32 | \$595 |
| F2MARBS.4848 | 48" | 48" | — | 36 | \$674 |
| F2MARBS.4860 | 48" | 60" | — | 40 | \$762 |

Overheads and Shelves

DESCRIPTION

Metal shelf and overhead storage.

SPECIFICATION OPTIONS

product #: see charts below
support finish: page 10

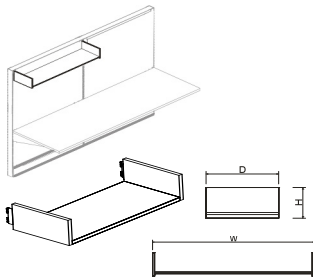
NOTES

- Two styles of profile available. Order to match sliding front overhead or pneumatic overhead

ORDER EXAMPLE

product #: FHS SHS.0824
support finish: CW Cloud White

STRAIGHT FRONT HALF HEIGHT SHELF

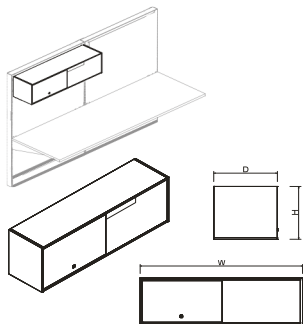


| PART # | HEIGHT | WIDTH | DEPTH | WT. (LBS) | LIST |
|--------------|--------|-------|-------|-----------|-------|
| FHS SHS.0824 | 7.5" | 24" | 13.5" | 12 | \$151 |
| FHS SHS.0830 | 7.5" | 30" | 13.5" | 13 | \$159 |
| FHS SHS.0836 | 7.5" | 36" | 13.5" | 13 | \$176 |
| FHS SHS.0842 | 7.5" | 42" | 13.5" | 14 | \$193 |
| FHS SHS.0848 | 7.5" | 48" | 13.5" | 15 | \$210 |

NOTES

This shelf hangs from a frame or wall strips.
 Includes attachment hardware.
 Profile matches sliding front overhead.
 Specify Finish.

SLIDING DOOR OVERHEAD CABINET

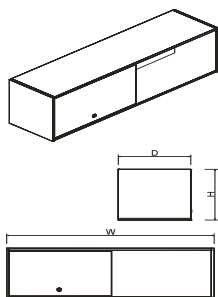


| PART # | HEIGHT | WIDTH | DEPTH | WT. (LBS) | LIST |
|--------------|--------|-------|--------|-----------|-------|
| FHS LOV.1624 | 15.5" | 24" | 14.25" | 21 | \$426 |
| FHS LOV.1630 | 15.5" | 30" | 14.25" | 24 | \$466 |
| FHS LOV.1636 | 15.5" | 36" | 14.25" | 26 | \$507 |
| FHS LOV.1642 | 15.5" | 42" | 14.25" | 29 | \$554 |
| FHS LOV.1648 | 15.5" | 48" | 14.25" | 32 | \$600 |

NOTES

This lockable sliding door storage cabinet hangs from a frame or wall strips. Includes a painted sliding door front, a lock and attaching hardware.
 Lock finish: Black
 Specify Finish.

UPMOUNT SLIDING OVERHEAD CABINET



| PART # | HEIGHT | WIDTH | DEPTH | WT. (LBS) | LIST |
|---------------|--------|-------|--------|-----------|-------|
| FHS LOVU.1624 | 15.5" | 24" | 14.25" | 21 | \$501 |
| FHS LOVU.1630 | 15.5" | 30" | 14.25" | 24 | \$670 |
| FHS LOVU.1636 | 15.5" | 36" | 14.25" | 26 | \$735 |
| FHS LOVU.1642 | 15.5" | 42" | 14.25" | 29 | \$797 |
| FHS LOVU.1648 | 15.5" | 48" | 14.25" | 32 | \$867 |

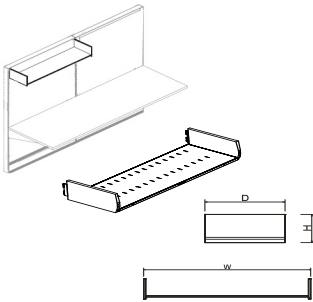
NOTES

This lockable sliding door storage cabinet is up-mounted on a panel.
 Includes a painted sliding door front, a lock and attaching hardware.
 Door locks on left side only.
 If specifying a standard (non-LED) tasklight, specify one size smaller than the cabinet size. For example, when ordering a 42" cabinet, specify a 36" standard tasklight.

Lock Finish: Black

Specify Finish.

**RADIUS FRONT
HALF HEIGHT SHELF**



| PART # | HEIGHT | WIDTH | DEPTH | WT. (LBS) | LIST |
|-------------|--------|-------|-------|-----------|-------|
| FHPHSH.0824 | 7.5" | 24" | 16" | 12 | \$156 |
| FHPHSH.0830 | 7.5" | 30" | 16" | 13 | \$163 |
| FHPHSH.0836 | 7.5" | 36" | 16" | 13 | \$181 |
| FHPHSH.0842 | 7.5" | 42" | 16" | 14 | \$194 |
| FHPHSH.0848 | 7.5" | 48" | 16" | 15 | \$204 |

NOTES

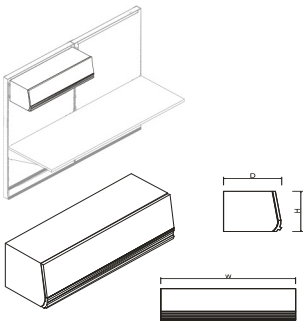
This shelf hangs from a frame or wall strips.

Includes attachment hardware.

Profile matches pneumatic overhead.

Specify Finish.

**PNEUMATIC OVERHEAD
CABINET**



| PART # | HEIGHT | WIDTH | DEPTH | WT. (LBS) | LIST |
|-------------|--------|-------|-------|-----------|-------|
| FHPNOV.1624 | 15.5" | 24" | 16" | 29 | \$501 |
| FHPNOV.1630 | 15.5" | 30" | 16" | 31 | \$548 |
| FHPNOV.1636 | 15.5" | 36" | 16" | 33 | \$594 |
| FHPNOV.1642 | 15.5" | 42" | 16" | 35 | \$636 |
| FHPNOV.1648 | 15.5" | 48" | 16" | 37 | \$687 |

NOTES

This storage cabinet, with lockable pneumatic door, hangs from a frame or wall strips.

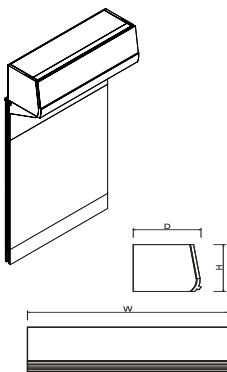
Includes pneumatic assist flipper door, a lock, and attaching hardware.

LED tasklight only.

Lock finish: Black

Specify Finish.

**UPMOUNT PNEUMATIC
OVERHEAD CABINET**



| PART # | HEIGHT | WIDTH | DEPTH | WT. (LBS) | LIST |
|--------------|--------|-------|-------|-----------|-------|
| FHPNOVU.1624 | 15.5" | 24" | 16" | 29 | \$531 |
| FHPNOVU.1630 | 15.5" | 30" | 16" | 31 | \$588 |
| FHPNOVU.1636 | 15.5" | 36" | 16" | 33 | \$646 |
| FHPNOVU.1642 | 15.5" | 42" | 16" | 35 | \$711 |
| FHPNOVU.1648 | 15.5" | 48" | 16" | 37 | \$774 |

NOTES

This storage cabinet, with lockable pneumatic door, up-mounts to the top of a panel.

Includes pneumatic assist flipper door, a lock, and attaching hardware.

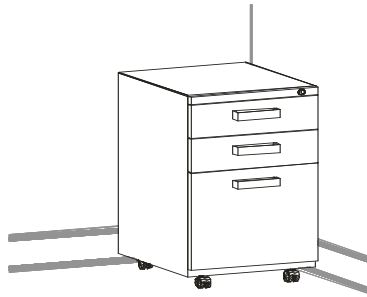
LED tasklight only.

Lock Finish: Black

Specify Finish.

STORAGE

Pedestals



DESCRIPTION

Storage with drawers.

SPECIFICATION OPTIONS

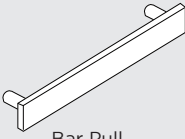
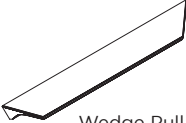
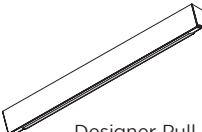
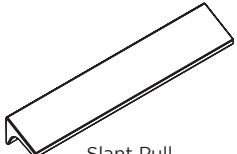
product #: see charts below
finish: page 10
pull: page 11

NOTES

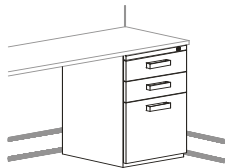
- Square drawer front
- Includes pencil tray in top drawer
- Order side-to-side file bars
- Bar Pull is the default pull; to order other pulls see upcharge below
- Specify pull when ordering
- Designer Pull has color options: specify color when ordering. See page 11
- Bar Pull will be shipped in box on ALL orders, premium pulls will ship separately
- If a cushion is placed on a full height mobile pedestal, it will not fit under a worksurface.

ORDER EXAMPLE

product #: FPEDSQP.BBF-MET
finish: DT
pull: Wedge pull +\$75 (see upcharge below)

| | DEFAULT PULL | PULLS REQUIRING UPCHARGE | | |
|-----------------------|--|--|--|--|
| PEDESTAL PULL OPTIONS |  Bar Pull |  Wedge Pull |  Designer Pull • Cloud White/Red • Cloud White/Green • Cloud White/Grey |  Slant Pull |

BOX / BOX / FILE PEDESTAL



| PART # | HEIGHT | WIDTH | DEPTH | WT. (LBS) | LIST |
|-------------------------------|--------|-------|-------|-----------|--------|
| FPEDSQP.BBF-MET | 27" | 15" | 20" | 55 | \$656 |
| WEDGE, DESIGNER OR SLANT PULL | | | | | + \$75 |

NOTES

Supporting metal pedestal with lock, without top cap. Attaches to the underside of a worksurface.

Includes pencil tray in top drawer

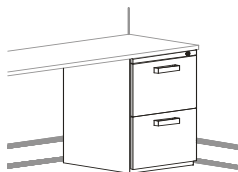
Square drawer pulls, silver color. Square drawer front.

Order side to side file bars.

Specify pull when ordering

Designer Pull has color options: specify color when ordering. (see page 11)

Pedestals / continued

FILE / FILE
PEDESTAL

| PART # | HEIGHT | WIDTH | DEPTH | WT. (LBS) | LIST |
|-------------------------------|--------|-------|-------|-----------|--------|
| FPEDSQP.FF-MET | 27" | 15" | 20" | 53 | \$656 |
| WEDGE, DESIGNER OR SLANT PULL | | | | | + \$50 |

NOTES

Supporting metal pedestal with lock, without top cap. Attaches to the underside of a worksurface.

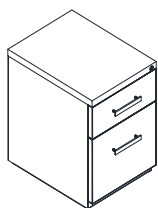
Includes pencil tray in top drawer

Square drawer pulls, silver color. Square drawer front.

Order side to side file bars.

Specify pull when ordering

Designer Pull has color options: specify color when ordering. (see page 11)

BOX / FILE
PEDESTAL MOBILE

| PART # | HEIGHT | WIDTH | DEPTH | WT. (LBS) | LIST |
|--------------------------------|--------|-------|-------|-----------|--------|
| FPEDSQP.BF-MOB-MET | 22" | 15" | 20" | 85 | \$719 |
| WEDGE, DESIGNER, OR SLANT PULL | | | | | + \$50 |

NOTES

Free-standing mobile pedestal with lock and with top cap.

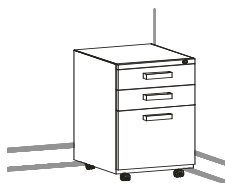
Includes pencil tray in top drawer

Square drawer pulls, silver color. Square drawer front.

Order side to side file bars.

Specify pull when ordering

Designer Pull has color options: specify color when ordering. (see page 11)

BOX / BOX / FILE
PEDESTAL MOBILE

| PART # | HEIGHT | WIDTH | DEPTH | WT. (LBS) | LIST |
|--------------------------------|--------|-------|-------|-----------|--------|
| FPEDSQP.BBF-MOB-MET | 27.25" | 15" | 20" | 85 | \$853 |
| WEDGE, DESIGNER, OR SLANT PULL | | | | | + \$75 |

NOTES

Free-standing mobile pedestal with lock and with top cap.

Includes pencil tray in top drawer

Square drawer pulls, silver color. Square drawer front.

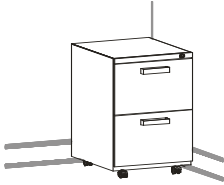
Order side to side file bars.

Specify pull when ordering

Designer Pull has color options: specify color when ordering. (see page 11)

If a cushion is placed on a full height mobile pedestal, it will not fit under a worksurface.

Pedestals / continued

FILE / FILE
PEDESTAL MOBILE

| PART # | HEIGHT | WIDTH | DEPTH | WT. (LBS) | LIST |
|--------------------------------|--------|-------|-------|-----------|--------|
| FPEDSQ.FF-MOB-MET | 27.25" | 15" | 20" | 76 | \$853 |
| WEDGE, DESIGNER, OR SLANT PULL | | | | | + \$50 |

NOTES

Free-standing mobile pedestal with lock and with top cap.

Includes pencil tray in top drawer

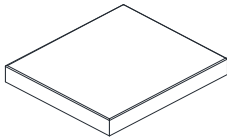
Square drawer pulls, silver color. Square drawer front.

Order side to side file bars.

Specify pull when ordering

Designer Pull has color options: specify color when ordering. (see page 11)

If a cushion is placed on a full height mobile pedestal, it will not fit under a worksurface.

BOX / FILE PEDESTAL
MOBILE CUSHION

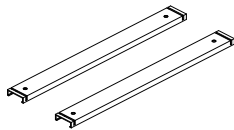
| PART # | HEIGHT | WIDTH | DEPTH | WT. (LBS) | LIST |
|-------------|--------|-------|-------|-----------|-------|
| FPEDSQ.CUSH | 1.75" | 15" | 20" | — | \$328 |

NOTES

For Box/File mobile pedestal only.

Passage and Terrain fabrics cannot be used on mobile cushions. (See page 6)

If a cushion is placed on a full height mobile pedestal, it will not fit under a worksurface.

SIDE-TO-SIDE
FILE BARS

| PART # | HEIGHT | WIDTH | DEPTH | WT. (LBS) | LIST |
|--------|--------|-------|-------|-----------|------|
| FSSB | — | — | — | 1 | \$22 |

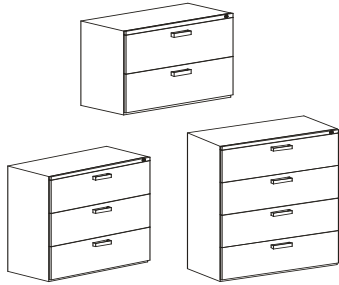
NOTES

Side-to-side File Bars for filing letter or legal size folders.

Order one per file drawer.

Finish: Black.

Lateral Files



DESCRIPTION

Storage with drawers.

SPECIFICATION OPTIONS

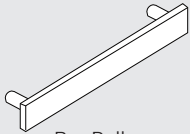

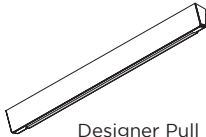
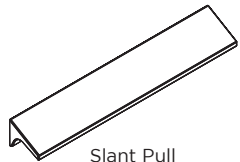
product #: see charts below
finish: page 10
pull: page 11

NOTES

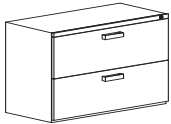
- Freestanding 3- and 4-drawer lateral files must be bolted together or bolted to a wall
- Specify pull when ordering.
- Designer pull has color options: specify color when ordering. (See page 11)
- Bar Pull will be shipped in box on ALL orders, Premium Pulls will ship separately

ORDER EXAMPLE

product #: FLFSQP-2-30-MET
finish: DT
pull: Designer pull - Cloud White/Red - + \$75 (see upcharge below)

| | DEFAULT PULL | PULLS REQUIRING UPCHARGE | | |
|-------------------------------|---|---|---|---|
| LATERAL FILES PULL OPTIONS |  Bar Pull |  Wedge Pull |  Designer Pull • Cloud White/Red • Cloud White/Green • Cloud White/Grey |  Slant Pull |

2 DRAWER LATERAL FILES



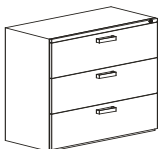
| PART # | HEIGHT | WIDTH | DEPTH | WT. (LBS) | LIST |
|-----------------|--------|-------|-------|-----------|---------|
| FLFSQP-2-30-MET | 27.5" | 30" | 20" | 103 | \$1,177 |
| FLFSQP-2-36-MET | 27.5" | 36" | 20" | 123 | \$1,428 |
| FLFSQP-2-42-MET | 27.5" | 42" | 20" | 151 | \$1,462 |

WEDGE, DESIGNER OR SLANT PULL + \$50

NOTES

- Supporting lateral file with lock and finished top cap.
- Square drawer pulls, silver color. Square drawer front.
- Order front to back file bars.
- Order counterweight to convert to free-standing lateral file.
- Specify pull when ordering
- Designer Pull has color options: specify color when ordering. (see page 11)

FREE-STANDING 3-DRAWER LATERAL FILES WITH TOP CAP



| PART # | HEIGHT | WIDTH | DEPTH | WT. (LBS) | LIST |
|-----------------|--------|-------|-------|-----------|---------|
| FLFSQP-3-30-MET | 40" | 30" | 20" | 121 | \$1,524 |
| FLFSQP-3-36-MET | 40" | 36" | 20" | 151 | \$1,721 |
| FLFSQP-3-42-MET | 40" | 42" | 20" | 181 | \$1,872 |

WEDGE, DESIGNER OR SLANT PULL + \$75

NOTES

- Supporting lateral file with lock and finished top cap.
- Square drawer pulls, silver color. Square drawer front.
- Order front to back file bars
- Specify pull when ordering.
- Designer Pull has color options: specify color when ordering. (see page 11)

Lateral Files / continued

**FREE-STANDING
4-DRAWER LATERAL
FILES WITH TOP CAP**



| PART # | HEIGHT | WIDTH | DEPTH | WT. (LBS) | LIST |
|-------------------------------|--------|-------|-------|-----------|---------|
| FLFSQP-4-30-MET | 51.5" | 30" | 20" | 173 | \$1,930 |
| FLFSQP-4-36-MET | 51.5" | 36" | 20" | 196 | \$2,121 |
| FLFSQP-4-42-MET | 51.5" | 42" | 20" | 241 | \$2,318 |
| WEDGE, DESIGNER OR SLANT PULL | | | | | +\$100 |

NOTES

Supporting lateral file with lock and finished top cap.

Square drawer pulls, silver color. Square drawer front.

Order front to back file bars.

Specify pull when ordering.

Designer Pull has color options: specify color when ordering. (see page 11)

**LATERAL FILE
COUNTERWEIGHT**

| PART # | USAGE | WT. (LBS) | LIST |
|----------|--------------------------------|-----------|------|
| FLFCW-30 | use with 30" W lateral file * | 23 | \$66 |
| FLFCW-36 | use with 36" W lateral file ** | 46 | \$99 |
| FLFCW-42 | use with 42" W lateral file ** | 46 | \$99 |

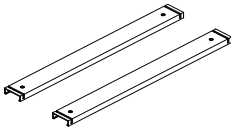
NOTES

Attaches securely to the inside back of the lateral file.

For use with 2-Drawer lateral files only.

* Includes one 20 lb counterweight
** Includes two 20 lb counterweights, for a total of 40 lbs of counterweight

**FRONT-TO-BACK
FILE BARS**



| PART # | HEIGHT | WIDTH | DEPTH | WT. (LBS) | LIST |
|--------|--------|---------|-----------|-----------|--------|
| FFB | 3/8" | 1 3/16" | 15 11/16" | 1 | + \$25 |

NOTES

Front to back file bars.

Package of two.

Order one package of two per drawer.

Color: Black.

EXTENDED GLIDES



| PART # | HEIGHT | WIDTH | DEPTH | PRICE |
|----------|--------|-------|-------|-------|
| FLFEG4.2 | | | | \$50 |

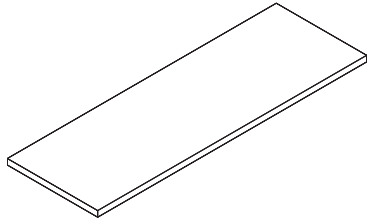
NOTES

Lateral file extended glide 2", pack of 4, for use with metal 2 drawer lateral files.

Order (1) pack per lateral file.

No finish selection

Lateral File Tops Laminate



DESCRIPTION

Laminate top for lateral file.

NOTES

- Extended sizes are available, please contact Customer Service for details.

SPECIFICATION OPTIONS

product #: see charts below

finish: see page 10

edge finish: see page 9

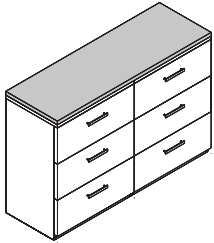
ORDER EXAMPLE

product #: FLFSQTOP.2030

finish: M1

edge finish: E1

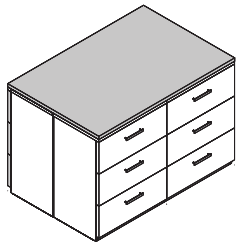
LATERAL FILE LAMINATE TOPS, 20" DEEP



| PART # | HEIGHT | WIDTH | DEPTH | PRICE |
|---------------|--------|-------|-------|-------|
| FLFSQTOP.2030 | 1.19" | 30" | 20" | \$235 |
| FLFSQTOP.2036 | 1.19" | 36" | 20" | \$275 |
| FLFSQTOP.2042 | 1.19" | 42" | 20" | \$301 |
| FLFSQTOP.2060 | 1.19" | 60" | 20" | \$504 |
| FLFSQTOP.2066 | 1.19" | 66" | 20" | \$520 |
| FLFSQTOP.2072 | 1.19" | 72" | 20" | \$536 |
| FLFSQTOP.2078 | 1.19" | 78" | 20" | \$562 |
| FLFSQTOP.2084 | 1.19" | 84" | 20" | \$589 |
| FLFSQTOP.2090 | 1.19" | 90" | 20" | \$641 |
| FLFSQTOP.2096 | 1.19" | 96" | 20" | \$818 |

NOTES

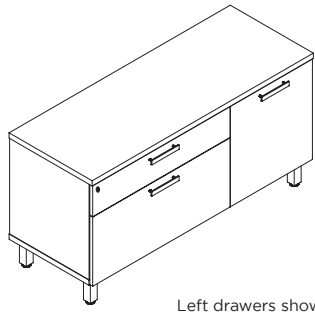
LATERAL FILE LAMINATE TOPS, 40" DEEP



| PART # | HEIGHT | WIDTH | DEPTH | PRICE |
|---------------|--------|-------|-------|---------|
| FLFSQTOP.4030 | 1.19" | 30" | 40" | \$491 |
| FLFSQTOP.4036 | 1.19" | 36" | 40" | \$562 |
| FLFSQTOP.4042 | 1.19" | 42" | 40" | \$595 |
| FLFSQTOP.4060 | 1.19" | 60" | 40" | \$719 |
| FLFSQTOP.4066 | 1.19" | 66" | 40" | \$752 |
| FLFSQTOP.4072 | 1.19" | 72" | 40" | \$785 |
| FLFSQTOP.4078 | 1.19" | 78" | 40" | \$834 |
| FLFSQTOP.4084 | 1.19" | 84" | 40" | \$883 |
| FLFSQTOP.4090 | 1.19" | 90" | 40" | \$981 |
| FLFSQTOP.4096 | 1.19" | 96" | 40" | \$1,177 |

NOTES

Freestanding Credenza Units



Left drawers shown

DESCRIPTION

Locking storage unit with drawers, door and feet.

NOTES

- Drawers can be specified L for left side drawers or R for right side drawers
- Drawers are always 30" wide. Closed door shelf size varies based on the width.
- Specify pull when ordering
- Designer pull has color options: specify color when ordering. (See page 11)

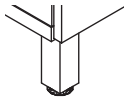
SPECIFICATION OPTIONS

product #: see charts below
top, front & casing finish: See page 9
drawer side: L for Left, R for Right
feet: Post, Taper or Inset (note finishes below)
pull: See page 11

ORDER EXAMPLE

product #: FCREDSQAP.1842L
top finish: M13
front finish: M28
casing finish: M28
foot: TAPER
foot finish: SV
pull: Slant pull

CREDENZA FEET OPTIONS



Post foot



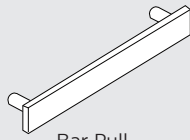
Taper foot (CW, BU, SV)



Inset foot (CW, BU, SV)

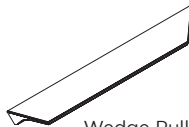
CREDENZA PULL OPTIONS

DEFAULT PULL

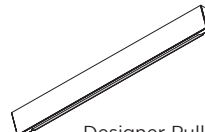


Bar Pull

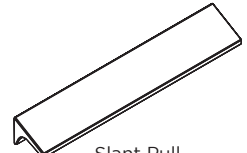
PREMIUM PULLS



Wedge Pull



Designer Pull
 • Cloud White/Red
 • Cloud White/Green
 • Cloud White/Grey

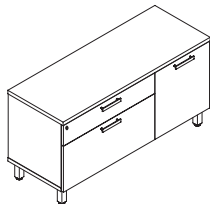


Slant Pull

FREESTANDING CREDENZA



42" wide
Right drawers shown



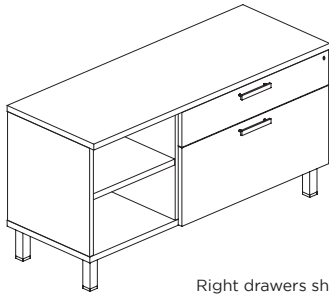
48" wide
Left drawers shown

| PART # | HEIGHT | WIDTH | DEPTH | WT. (LBS) | PRICE |
|-----------------|--------|-------|-------|-----------|---------|
| FCREDSQAP.1842L | 26" | 42" | 18" | — | \$1,619 |
| FCREDSQAP.1842R | 26" | 42" | 18" | — | \$1,619 |
| FCREDSQAP.1848L | 26" | 48" | 18" | — | \$1,771 |
| FCREDSQAP.1848R | 26" | 48" | 18" | — | \$1,771 |
| FCREDSQAP.1860L | 26" | 60" | 18" | — | \$1,994 |
| FCREDSQAP.1860R | 26" | 60" | 18" | — | \$1,994 |

NOTES

Freestanding Credenza with feet, storage unit and drawers.
 Square drawer front
 Drawers are always 30" wide. Closed door shelf size varies based on the width.
 Specify pull when ordering
 Designer pull has color options: specify color when ordering. (See page 11)

Freestanding Credenza Units



Right drawers shown

DESCRIPTION

Locking storage unit with drawers and open shelves.

NOTES

- Drawers can be specified L for left side drawers or R for right side drawers
- Drawers are always 30" wide. Open shelf size varies based on the width.
- Specify pull when ordering
- Designer pull has color options: specify color when ordering. (See page 11)

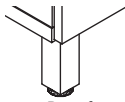
SPECIFICATION OPTIONS

product #: see charts below
top, front & casing finish: See page 9
drawer side: L for Left, R for Right
feet: Post, Taper or Inset (note finishes below)
pull: See page 11

ORDER EXAMPLE

product #: FCREDSQOP.1842L
top finish: M13
front finish: M28
casing finish: M28
foot: TAPER
foot finish: SV
pull: Slant pull

CREDENZA FEET OPTIONS



Post foot (Brushed only)

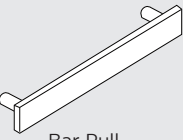


Taper foot (CW, BU, SV)

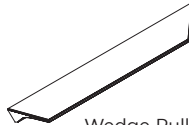


Inset foot (CW, BU, SV)

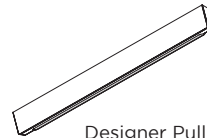
CREDENZA PULL OPTIONS



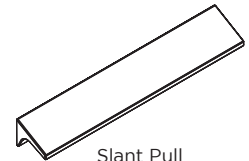
Bar Pull



Wedge Pull

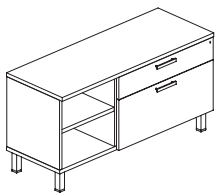


Designer Pull
 • Cloud White/Red
 • Cloud White/Green
 • Cloud White/Grey



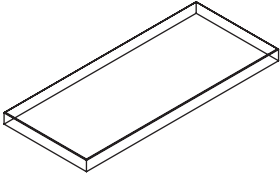
Slant Pull

FREESTANDING CREDENZA



Right drawers shown

| PART # | HEIGHT | WIDTH | DEPTH | WT. (LBS) | PRICE | NOTES |
|-----------------|--------|-------|-------|-----------|---------|---|
| FCREDSQOP.1842L | 26" | 42" | 18" | — | \$1,190 | Freestanding Credenza with feet, open shelves and drawers. |
| FCREDSQOP.1842R | 26" | 42" | 18" | — | \$1,190 | |
| FCREDSQOP.1848L | 26" | 48" | 18" | — | \$1,323 | Square drawer front |
| FCREDSQOP.1848R | 26" | 48" | 18" | — | \$1,323 | Drawers are always 30" wide. Open shelf size varies based on the width. |
| FCREDSQOP.1860L | 26" | 60" | 18" | — | \$1,515 | |
| FCREDSQOP.1860R | 26" | 60" | 18" | — | \$1,515 | Specify pull when ordering Designer pull has color options: specify color when ordering. (See page 11) |

CREDENZA CUSHION

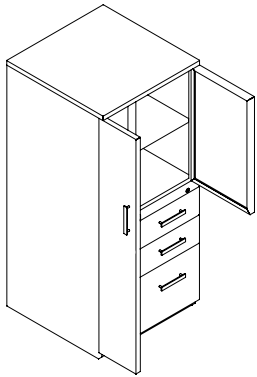
| PART # | HEIGHT | WIDTH | DEPTH | WT. (LBS) | PRICE |
|----------------|--------|-------|-------|-----------|-------|
| FCREDSQ.CUSH30 | 1.75" | 30" | 18" | — | \$338 |
| FCREDSQ.CUSH36 | 1.75" | 36" | 18" | — | \$345 |
| FCREDSQ.CUSH42 | 1.75" | 42" | 18" | — | \$389 |
| FCREDSQ.CUSH48 | 1.75" | 48" | 18" | — | \$432 |
| FCREDSQ.CUSH60 | 1.75" | 60" | 18" | — | \$519 |

NOTES

For use with Credenza only.
Specify standard fabric.

Passage and Terrain fabrics can not be used on mobile cushions. (See page 6)

Freestanding Towers



Left side wardrobe shown.

DESCRIPTION

Storage with drawers.

NOTES

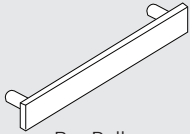
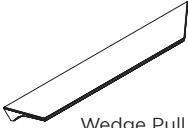
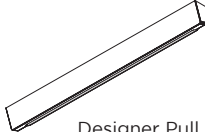
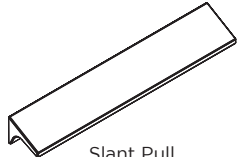
- Drawers have lock
- Door and cabinet do not have locks
- Specify pull when ordering
- Designer pull has color options: specify color when ordering. (See page 11)
- Bar Pull will be shipped in box on ALL orders, Premium Pulls will ship separately

SPECIFICATION OPTIONS

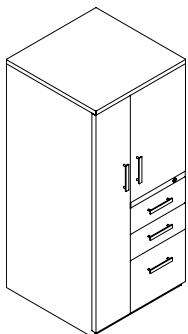
product #: see charts below
finish: page 10
wardrobe side: L for Left, R for Right
pull: page 11

ORDER EXAMPLE

product #: FCREDSQAP:1842L
finish: CW
wardrobe side: L
pull: Slant pull +75 (see upcharge below)

| | DEFAULT PULL | PULLS REQUIRING UPCHARGE | | |
|------------------------------|---|---|---|---|
| PEDESTAL PULL OPTIONS |  Bar Pull |  Wedge Pull |  Designer Pull • Cloud White/Red • Cloud White/Green • Cloud White/Grey |  Slant Pull |

FREESTANDING TOWERS 53" HIGH

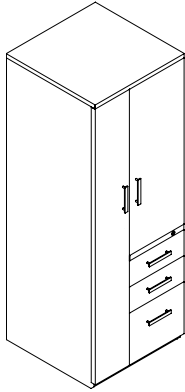


Left side wardrobe shown.

| PART # | HEIGHT | WIDTH | DEPTH | WT. (LBS) | LIST | NOTES |
|--------------|--------|-------|-------|-----------|---------|---|
| FTBBFP.2453L | 53" | 24" | 24" | — | \$2,158 | Free-standing tower, 53" high |
| FTBBFP.2453R | 53" | 24" | 24" | — | \$2,158 | Square pulls, silver color |
| | | | | | | Square drawer front |
| | | | | | | Order side to side file bars |
| | | | | | | Specify wardrobe on left or right side |
| | | | | | | Specify pull when ordering |
| | | | | | | Designer pull has color options: specify color when ordering. (See page 11) |
| | | | | | | WEDGE, DESIGNER OR SLANT PULL |
| | | | | | | +\$125 |

Freestanding Towers / continued

FREESTANDING TOWERS 67" HIGH

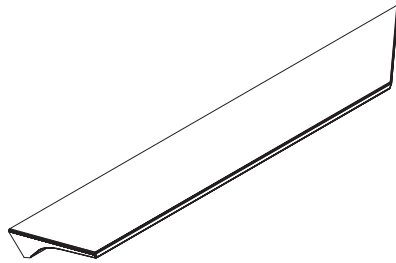


Left side wardrobe shown.

| PART # | HEIGHT | WIDTH | DEPTH | WT. (LBS) | LIST | NOTES |
|-------------------------------|--------|-------|-------|-----------|---------|---|
| FTBBFP.2467L | 67" | 24" | 24" | — | \$2,698 | Free-standing tower, 67" high |
| FTBBFP.2467R | 67" | 24" | 24" | — | \$2,698 | Square pulls, silver color Square drawer front Order side to side file bars |
| WEDGE, DESIGNER OR SLANT PULL | | | | | +\$125 | Specify wardrobe on left or right side Specify pull when ordering Designer pull has color options: specify color when ordering. (See page 11) |

PULLS

Pulls Lateral



DESCRIPTION

3 different pull options to choose from

NOTES

- Wedge Pull for Lateral
- Designer pull has color options: specify color when ordering. (See chart below)
- Slant Pull for Lateral

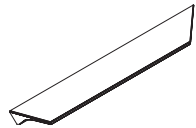
SPECIFICATION OPTIONS

product #: see charts below
pull: see charts below

ORDER EXAMPLE

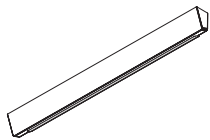
product #: WEDGE-PULL-244
pull: Wedge

WEDGE PULL FOR LATERAL



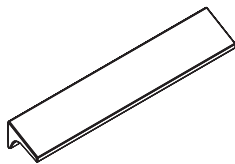
| PART # | WT. (LBS) | LIST | NOTES |
|----------------|-----------|------|------------------------|
| WEDGE-PULL-244 | — | \$25 | Wedge Pull for Lateral |

DESIGNER PULL FOR LATERAL



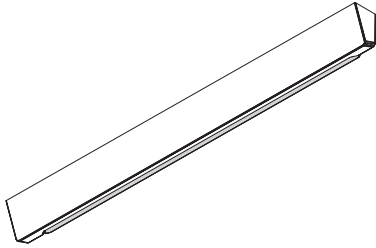
| PART # | WT. (LBS) | LIST | NOTES |
|-------------------------|-----------|------|---|
| DESIGNER-PULL-250-RED | — | \$25 | Designer Pull is CW (Cloud White) with non-slip color trim on underside. Trim available in 3 colors: Red, Green, and Grey |
| DESIGNER-PULL-250-GREEN | — | \$25 | |
| DESIGNER-PULL-250-GREY | — | \$25 | |

SLANT PULL FOR LATERAL



| PART # | WT. (LBS) | LIST | NOTES |
|----------------|-----------|------|------------------------|
| SLANT-PULL-244 | — | \$25 | Slant Pull for Lateral |

Pulls Pedestal



DESCRIPTION

3 different pull options to choose from

NOTES

- Wedge Pull for Pedestal
- Designer pull has color options: specify color when ordering. (See chart below)
- Slant Pull for the Pedestal

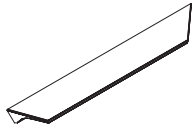
SPECIFICATION OPTIONS

product #: see charts below
pull: see charts below

ORDER EXAMPLE

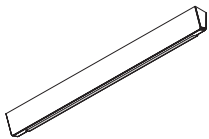
product #: DESIGNER-PULL-250-RED
pull: Designer Pull, RED

WEDGE PULL FOR PEDESTAL



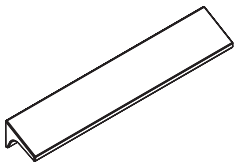
| PART # | WT. (LBS) | LIST | NOTES |
|----------------|-----------|------|-------------------------|
| WEDGE-PULL-167 | — | \$25 | Wedge Pull for Pedestal |

DESIGNER PULL FOR PEDESTAL



| PART # | WT. (LBS) | LIST | NOTES |
|-------------------------|-----------|------|---|
| DESIGNER-PULL-250-RED | — | \$25 | Designer Pull is CW (Cloud White) with non-slip color trim on underside. Trim available in 3 colors: Red, Green, and Grey |
| DESIGNER-PULL-250-GREEN | — | \$25 | |
| DESIGNER-PULL-250-GREY | — | \$25 | |

SLANT PULL FOR PEDESTAL



| PART # | WT. (LBS) | LIST | NOTES |
|----------------|-----------|------|-------------------------|
| SLANT-PULL-167 | — | \$25 | Slant Pull for Pedestal |

ACCESSORIES

Accessories

| DESCRIPTION | SPECIFICATION OPTIONS |
|--------------------------|--|
| Workstation accessories. | product #: see charts below finish: page 10 |
| NOTES | ORDER EXAMPLE |
| | product #: FTB.24 finish: CW |

DESK MOUNTED POWER UNIT



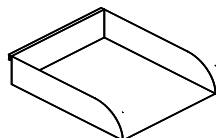
| PART # | PRICE | NOTES |
|---------|-------|--|
| FPWR.DM | \$375 | <ul style="list-style-type: none"> • Worksurface mounted power unit • The power cord comes attached to the unit. The cord measures approximately 6 ft in length. • Includes 3 plugs and 2 USB ports • Available in BU and CW |

TOOL BARS



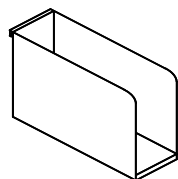
| PART # | HEIGHT | WIDTH | DEPTH | WT. (LBS) | LIST | NOTES |
|--------|--------|-------|-------|-----------|-------|---|
| FTB.24 | 3.5" | 24" | 0.75" | 2 | \$77 | <ul style="list-style-type: none"> • Attaches to a panel of same width. • Mounting hardware included. |
| FTB.30 | 3.5" | 30" | 0.75" | 2 | \$94 | |
| FTB.36 | 3.5" | 36" | 0.75" | 3 | \$110 | |
| FTB.42 | 3.5" | 42" | 0.75" | 3 | \$127 | |
| FTB.48 | 3.5" | 48" | 0.75" | 4 | \$142 | |

FLAT PAPER TRAY



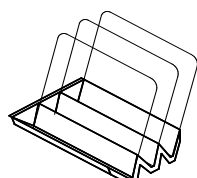
| PART # | HEIGHT | WIDTH | DEPTH | WT. (LBS) | LIST | NOTES |
|--------|--------|-------|-------|-----------|------|----------------------------|
| FFPT | 3" | 10" | 12" | 2 | \$42 | Order tool bar separately. |

VERTICAL SINGLE TRAY



| PART # | HEIGHT | WIDTH | DEPTH | WT. (LBS) | LIST | NOTES |
|--------|--------|-------|-------|-----------|------|----------------------------|
| FVST | 8" | 4" | 12" | 2 | \$40 | Order tool bar separately. |

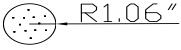
VERTICAL TRIPLE TRAY



| PART # | HEIGHT | WIDTH | DEPTH | WT. (LBS) | PRICE | NOTES |
|--------|--------|-------|-------|-----------|-------|----------------------------|
| FVTT | 11" | 12" | 12" | 4 | \$78 | Order tool bar separately. |

Accessories

CARPET GRIPPER



| PART # | HEIGHT | WIDTH | DEPTH | WT. (LBS) | PRICE |
|--------|--------|--------|-------|-----------|-------|
| FTCG | — | 2.125" | — | 0.25 | \$6 |

- NOTES
- Plastic Gripper fits onto the adjustable glides of panel.
 - Finish: Black
 - Do not use on hard surface flooring.

SINGLE MONITOR ARM



| PART # | HEIGHT | WIDTH | DEPTH | WT. (LBS) | LIST |
|--------|--------|-------|-------|-----------|-------|
| FMA-S | — | — | — | — | \$568 |

- NOTES
- CW, SV, BU Finish
 - Includes attachment hardware for clamp, grommet and Verity track mount.

DUAL MONITOR ARM



| PART # | HEIGHT | WIDTH | DEPTH | WT. (LBS) | LIST |
|--------|--------|-------|-------|-----------|-------|
| FMA-D | — | — | — | — | \$811 |

- NOTES
- CW, SV, BU Finish
 - Includes attachment hardware for clamp, grommet and Verity track mount.

Accessories

Keyed-Alike Information

DESCRIPTION

All Friant pedestals, lateral files and overhead cabinets can be keyed-alike.

SPECIFICATION OPTIONS

product #: see charts below

NOTES

- Keyed-Alike Lock Cores are sold in sets of 4.or 6.
- Each set of keyed alike cores includes the cores, each core has two keys and all cores are the same lock number.
- Lock core removal/change keys will need to be ordered separately.
- Specific lock numbers are unavailable

ORDER EXAMPLE

product #: METAL1-KEY-ALIKE-6

KEYED-ALIKE LOCKS

METAL STORAGE

| PART # | DESCRIPTION | LIST |
|--------------------|---|-----------|
| METAL1-KEY-ALIKE-4 | Lock Core Keyed-Alike (set of 4)-Type 1 Metal Storage | \$139 |
| METAL1-KEY-ALIKE-6 | Lock Core Keyed-Alike (set of 6)-Type 1 Metal Storage | \$209 |
| METAL1-FCK | Lock Core Change Key - Type 1 Metal Storage | \$21 |
| METAL1 -FMK | Lock Core Master Key - Type 1 Metal Storage | \$21 |
| METAL1-KEYBLANK | Key Blank - Type 1 Metal Storage | \$3 each |
| METAL1-KEY-CORE | Single Lock Core - Type 1 Metal Storage | \$35 each |

LAMINATE CREDENZAS

| PART # | DESCRIPTION | PRICE |
|------------------|--|-----------|
| LAM1-KEY-ALIKE-4 | Lock Core Keyed-Alike (set of 4) - Type 1 Laminate Storage | \$139 |
| LAM1-KEY-ALIKE-6 | Lock Core Keyed-Alike (set of 6)- Type 1 Laminate Storage | \$209 |
| LAM1-FCK | Lock Core Change Key - Type 1 Laminate Storage | \$21 |
| LAM1-FMK | Lock Core Master Key - Type 1 Laminate Storage | \$21 |
| LAM1-KEY-CORE | Single Lock Core - Type 1 Laminate Storage | \$35 each |