

NOVO PARTS LIST

Novo Parts Catalog Table of Contents

Monolithic Panels

Monolithic Fabric-Covered Panel	
Non-Electrical	2
Electrical	4
Monolithic Partial Glazed Panel	
Non-Electrical	6
Electrical	8
85"H Side Rail for 85"H Panels	11

Door Frame

12

Panel Hardware

Draw Rods	
Draw Rod, Same Height	13
Draw Rod, Change of Height	14
Draw Rod, Wall Start Power Pole	15
Connectors	
2-Way 90 deg Connector	16
3-Way 90 deg Connector	17
4-Way 90 deg Connector	18
2-Way 120 deg Connector	19
2-Way 135 deg Connector	20
3-Way 120 deg Connector	21
Finished Ends	
Finished End	22
Finished End, Change of Height for Connector	23
Finished End, Change of Height for Panel to Panel	24
Wall Start	25
Wall Strip	26

Electrical

Receptacles	27
Data Port Plate	28
Power Pole	29
Festoons	30

Worksurface Supports

Worksurface Brackets	31
Transaction Top Brackets	32
Square Post Leg	33
Square Metal P Leg Single/Double Support	34
Square Corner Triangle Leg Single/Double Support	35
Taper Leg	36
Inset Leg	37

Components

Frameless Glass	38
Privacy Screens	40
"B" Style Tackboard	41
Modesty Panel, Laminate	42
Overheads and Shelves	
Straight Front Half Height Shelf	43
Sliding Door Overhead Cabinet	44
Upmount Sliding Overhead Cabinet	45
Radius Front Half Height Shelf	46
Pneumatic Overhead Cabinet	47
Upmount Pneumatic Overhead Cabinet	48

Storage

13 Pedestals	49
14 Mobile Pedestals	51
15 Lateral Files	54
16 Freestanding Credenzas, Open Shelves/Door	58
17 Freestanding Towers	

Pulls

19	59
----	----

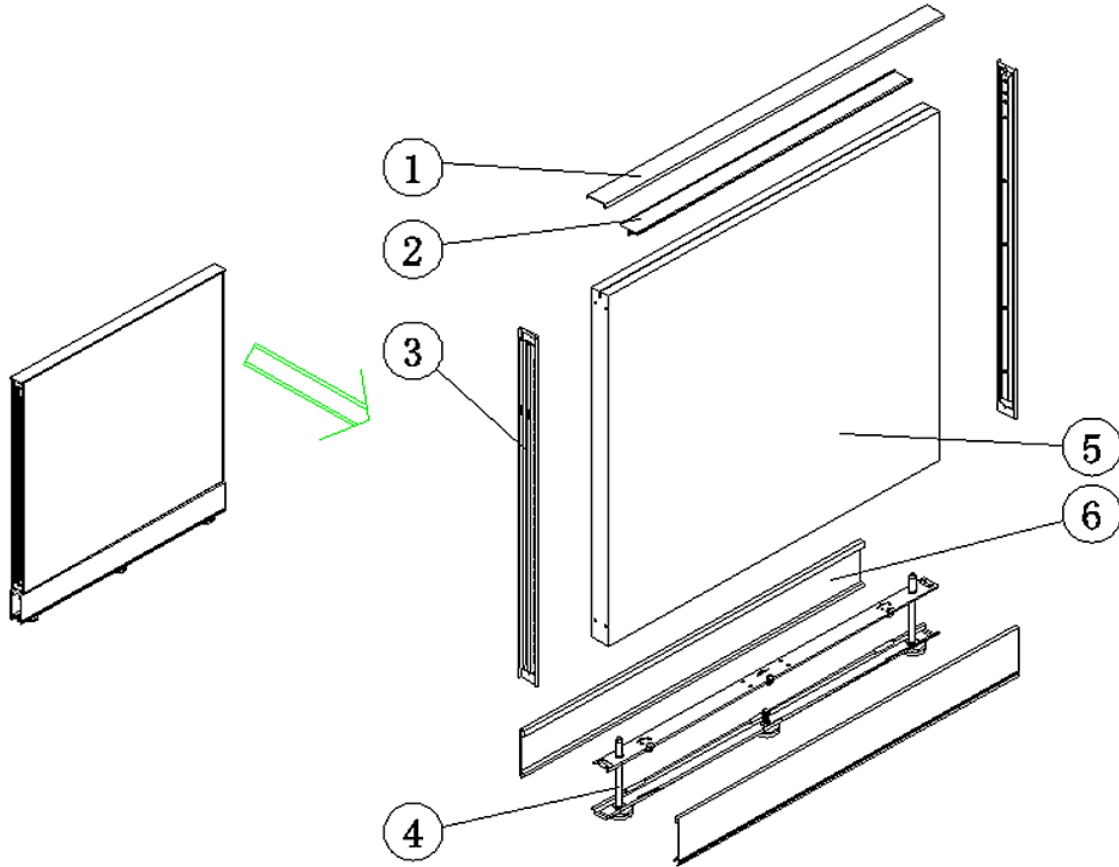
Tool Bar

21	60
----	----



Novo

Panel
 Monolithic Panel, Non-powered
 FHFAPA.XXXX-N
 39-67"H

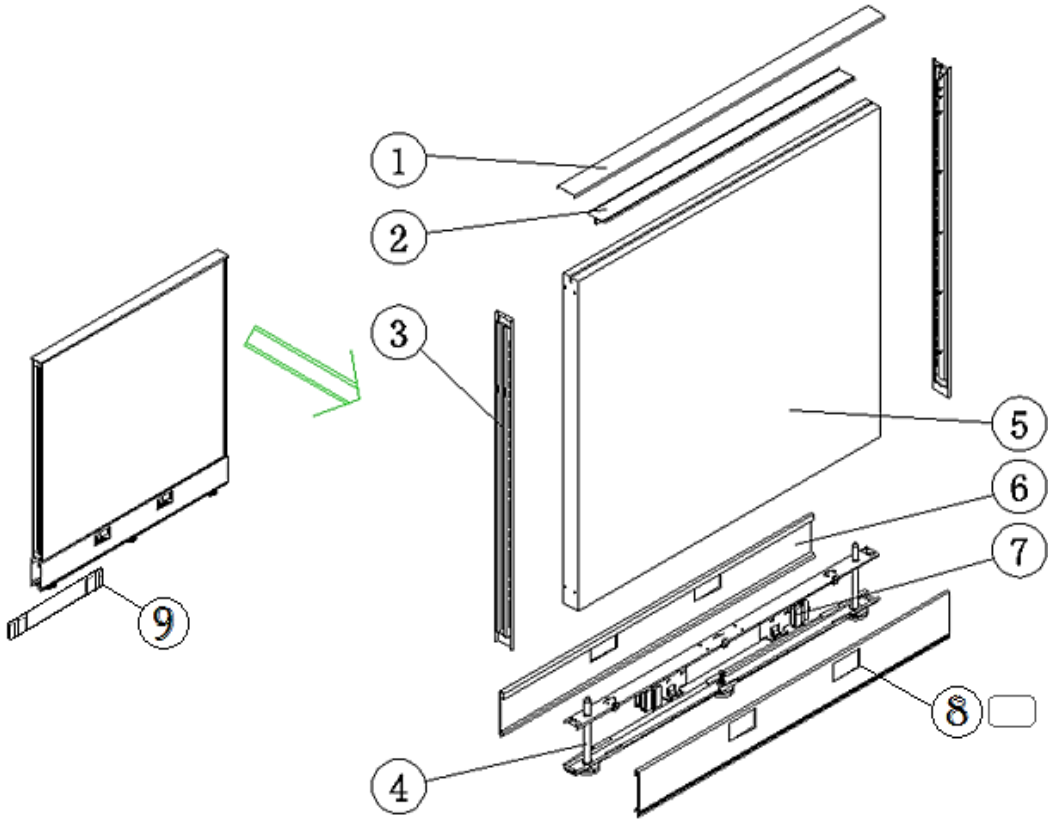


No.	Part Number	Description	Finish Selection	LIST
1	FHSA19-3	Panel Top Cap, 24"	YES	\$21
	FHSA19-4	Panel Top Cap, 30"	YES	\$26
	FHSA19-5	Panel Top Cap, 36"	YES	\$31
	FHSA19-6	Panel Top Cap, 42"	YES	\$36
	FHSA19-7	Panel Top Cap, 48"	YES	\$41
2	FHSP19-3	Top Cap Support, 24"	NO	\$14
	FHSP19-4	Top Cap Support, 30"	NO	\$18
	FHSP19-5	Top Cap Support, 36"	NO	\$22
	FHSP19-6	Top Cap Support, 42"	NO	\$26
	FHSP19-7	Top Cap Support, 48"	NO	\$30
3	FHSPSR-2	Novo One Piece Side Rail, 39"	YES	\$36
	FHSPSR-3	Novo One Piece Side Rail, 47"	YES	\$43
	FHSPSR-4	Novo One Piece Side Rail, 53"	YES	\$49
	FHSPSR-6	Novo One Piece Side Rail, 67"	YES	\$63

No.	Part Number	Description	Finish Selection	LIST
4	FHSA08-3	Novo BASE - 24"	YES	\$75
	FHSA08-4	Novo BASE - 30"	YES	\$80
	FHSA08-5	Novo BASE - 36"	YES	\$85
	FHSA08-6	Novo BASE - 42"	YES	\$98
	FHSA08-7	Novo BASE - 48"	YES	\$103
5	FFPB-3424	Panel Blank	NO	\$104
	FFPB-3430	Panel Blank	NO	\$126
	FFPB-3436	Panel Blank	NO	\$144
	FFPB-3442	Panel Blank	NO	\$165
	FFPB-3448	Panel Blank	NO	\$179
	FFPB-4224	Panel Blank	NO	\$128
	FFPB-4230	Panel Blank	NO	\$153
	FFPB-4236	Panel Blank	NO	\$173
	FFPB-4242	Panel Blank	NO	\$176
	FFPB-4248	Panel Blank	NO	\$195
	FFPB-4824	Panel Blank	NO	\$134
	FFPB-4830	Panel Blank	NO	\$159
	FFPB-4836	Panel Blank	NO	\$185
	FFPB-4842	Panel Blank	NO	\$214
	FFPB-4848	Panel Blank	NO	\$230
	FFPB-6224	Panel Blank	NO	\$168
	FFPB-6230	Panel Blank	NO	\$177
	FFPB-6236	Panel Blank	NO	\$201
FFPB-6242	Panel Blank	NO	\$241	
FFPB-6248	Panel Blank	NO	\$261	
6	FHSP11M-3	METAL BASE COVER - NON POWER 24"	YES	\$33
	FHSP11M-4	METAL BASE COVER - NON POWER 30"	YES	\$41
	FHSP11M-5	METAL BASE COVER - NON POWER 36"	YES	\$48
	FHSP11M-6	METAL BASE COVER - NON POWER 42"	YES	\$55
	FHSP11M-7	METAL BASE COVER - NON POWER 48"	YES	\$62

Novo

Panel
 Monolithic, Powered
 FHFAPA.XXXX-E
 39-67"H



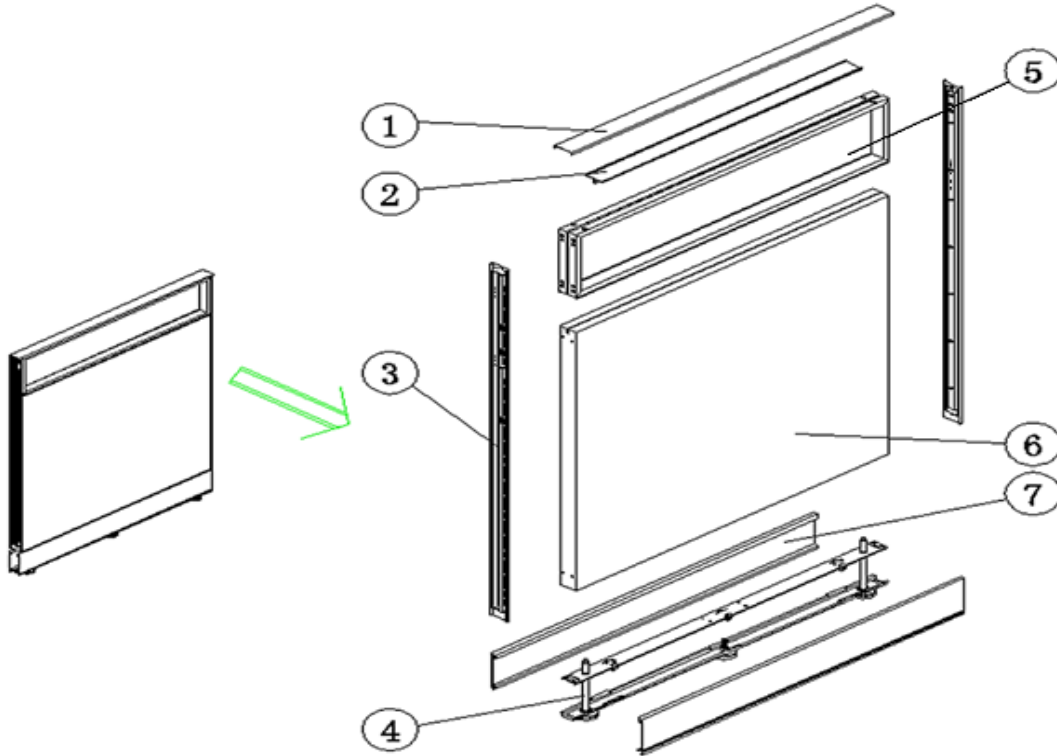
No.	Part number	Part Description	Finish selection	LIST
1	FHSA19-3	Panel Top Cap, 24"	YES	\$21
	FHSA19-4	Panel Top Cap, 30"	YES	\$26
	FHSA19-5	Panel Top Cap, 36"	YES	\$31
	FHSA19-6	Panel Top Cap, 42"	YES	\$36
	FHSA19-7	Panel Top Cap, 48"	YES	\$41
2	FHSP19-3	Top Cap Support, 24"	NO	\$14
	FHSP19-4	Top Cap Support, 30"	NO	\$18
	FHSP19-5	Top Cap Support, 36"	NO	\$22
	FHSP19-6	Top Cap Support, 42"	NO	\$26
	FHSP19-7	Top Cap Support, 48"	NO	\$30
3	FHSPSR-2	Novo One Piece Side Rail, 39"	YES	\$36
	FHSPSR-3	Novo One Piece Side Rail, 47"	YES	\$43
	FHSPSR-4	Novo One Piece Side Rail, 53"	YES	\$49
	FHSPSR-6	Novo One Piece Side Rail, 67"	YES	\$63

No.	Part number	Part Description	Finish selection	LIST
4	FHSA08-3	Novo BASE - 24"	NO	\$75
	FHSA08-4	Novo BASE - 30"	NO	\$80
	FHSA08-5	Novo BASE - 36"	NO	\$85
	FHSA08-6	Novo BASE - 42"	NO	\$98
	FHSA08-7	Novo BASE - 48"	NO	\$103
5	FFPB-3424	Panel Blank	NO	\$104
	FFPB-3430	Panel Blank	NO	\$126
	FFPB-3436	Panel Blank	NO	\$144
	FFPB-3442	Panel Blank	NO	\$165
	FFPB-3448	Panel Blank	NO	\$179
	FFPB-4224	Panel Blank	NO	\$128
	FFPB-4230	Panel Blank	NO	\$153
	FFPB-4236	Panel Blank	NO	\$173
	FFPB-4242	Panel Blank	NO	\$176
	FFPB-4248	Panel Blank	NO	\$195
	FFPB-4824	Panel Blank	NO	\$134
	FFPB-4830	Panel Blank	NO	\$159
	FFPB-4836	Panel Blank	NO	\$185
	FFPB-4842	Panel Blank	NO	\$214
	FFPB-4848	Panel Blank	NO	\$230
	FFPB-6224	Panel Blank	NO	\$168
	FFPB-6230	Panel Blank	NO	\$177
	FFPB-6236	Panel Blank	NO	\$201
FFPB-6242	Panel Blank	NO	\$241	
FFPB-6248	Panel Blank	NO	\$261	
6	FHSP11M-3E	Novo metal base cover, with power cutouts 24"	YES	\$33
	FHSP11M-4E	Novo metal base cover, with power cutouts 30"	YES	\$41
	FHSP11M-5E	Novo metal base cover, with power cutouts 36"	YES	\$48
	FHSP11M-6E	Novo metal base cover, with power cutouts 42"	YES	\$55
	FHSP11M-7E	Novo metal base cover, with power cutouts 48"	YES	\$62
7	FHSP08-3-ZN	POWER RETRO, 24"	NO	\$118
	FHSP08-4-ZN	POWER RETRO, 30"	NO	\$157
	FHSP08-5-ZN	POWER RETRO, 36"	NO	\$184
	FHSP08-6-ZN	POWER RETRO, 42"	NO	\$221
	FHSP08-7-ZN	POWER RETRO, 48"	NO	\$257
8	FASP18-0	Plastic Cover for base cover power cutouts	YES	\$3
9	FHSP03-1-BK	Novo Panel to Panel Festoon -18 9/16" - 18 15/16"	NO	\$138



Novo

Panel
 Partial Glazed Panel - Non-Powered
 FHPGHSPA.XXXX-N
 39-67"H



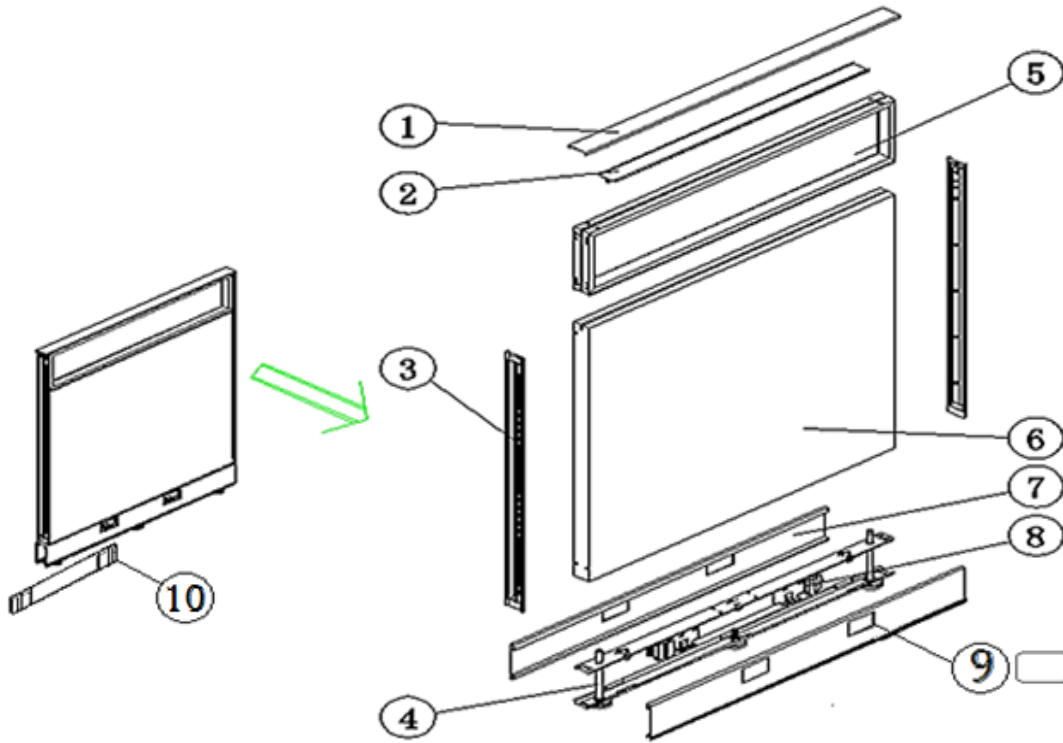
No.	Part number	Part Description	Finish selection	LIST
1	FHSA19-3	Panel Top Cap, 24"	YES	\$21
	FHSA19-4	Panel Top Cap, 30"	YES	\$26
	FHSA19-5	Panel Top Cap, 36"	YES	\$31
	FHSA19-6	Panel Top Cap, 42"	YES	\$36
	FHSA19-7	Panel Top Cap, 48"	YES	\$41
2	FHSP19-3	Top Cap Support, 24"	NO	\$14
	FHSP19-4	Top Cap Support, 30"	NO	\$18
	FHSP19-5	Top Cap Support, 36"	NO	\$22
	FHSP19-6	Top Cap Support, 42"	NO	\$26
	FHSP19-7	Top Cap Support, 48"	NO	\$30
3	FHSPSR-2	Novo One Piece Side Rail, 39"	YES	\$36
	FHSPSR-3	Novo One Piece Side Rail, 47"	YES	\$43
	FHSPSR-4	Novo One Piece Side Rail, 53"	YES	\$49
	FHSPSR-6	Novo One Piece Side Rail, 67"	YES	\$63
4	FHSA08-3	Novo BASE - 24"	NO	\$75
	FHSA08-4	Novo BASE - 30"	NO	\$80
	FHSA08-5	Novo BASE - 36"	NO	\$85
	FHSA08-6	Novo BASE - 42"	NO	\$98
	FHSA08-7	Novo BASE - 48"	NO	\$103

No.	Part number	Part Description	Finish selection	LIST
5	FHPGA.1424-FR	Partial Glaze - Frosted, 24"	YES	\$323
	FHPGA.1430-FR	Partial Glaze - Frosted, 30"	YES	\$378
	FHPGA.1436-FR	Partial Glaze - Frosted, 36"	YES	\$454
	FHPGA.1442-FR	Partial Glaze - Frosted, 42"	YES	\$514
	FHPGA.1448-FR	Partial Glaze - Frosted, 48"	YES	\$570
	FHPGA.1424	Partial Glaze Panel, 24"	YES	\$294
	FHPGA.1430	Partial Glaze Panel, 30"	YES	\$346
	FHPGA.1436	Partial Glaze Panel, 36"	YES	\$399
	FHPGA.1442	Partial Glaze Panel, 42"	YES	\$451
	FHPGA.1448	Partial Glaze Panel, 48"	YES	\$503
6	FFPB-3424	Panel Blank	NO	\$104
	FFPB-3430	Panel Blank	NO	\$126
	FFPB-3436	Panel Blank	NO	\$144
	FFPB-3442	Panel Blank	NO	\$165
	FFPB-3448	Panel Blank	NO	\$179
	FFPB-4224	Panel Blank	NO	\$128
	FFPB-4230	Panel Blank	NO	\$153
	FFPB-4236	Panel Blank	NO	\$173
	FFPB-4242	Panel Blank	NO	\$176
	FFPB-4248	Panel Blank	NO	\$195
	FFPB-4824	Panel Blank	NO	\$134
	FFPB-4830	Panel Blank	NO	\$159
	FFPB-4836	Panel Blank	NO	\$185
	FFPB-4842	Panel Blank	NO	\$214
	FFPB-4848	Panel Blank	NO	\$230
	FFPB-6224	Panel Blank	NO	\$168
	FFPB-6230	Panel Blank	NO	\$177
FFPB-6236	Panel Blank	NO	\$201	
FFPB-6242	Panel Blank	NO	\$241	
FFPB-6248	Panel Blank	NO	\$261	
7	FHSP11M-3	Novo metal base cover, non-power 24"	YES	\$32
	FHSP11M-4	Novo metal base cover, non-power 30"	YES	\$41
	FHSP11M-5	Novo metal base cover, non-power 36"	YES	\$48
	FHSP11M-6	Novo metal base cover, non-power 42"	YES	\$54
	FHSP11M-7	Novo metal base cover, non-power 48"	YES	\$61



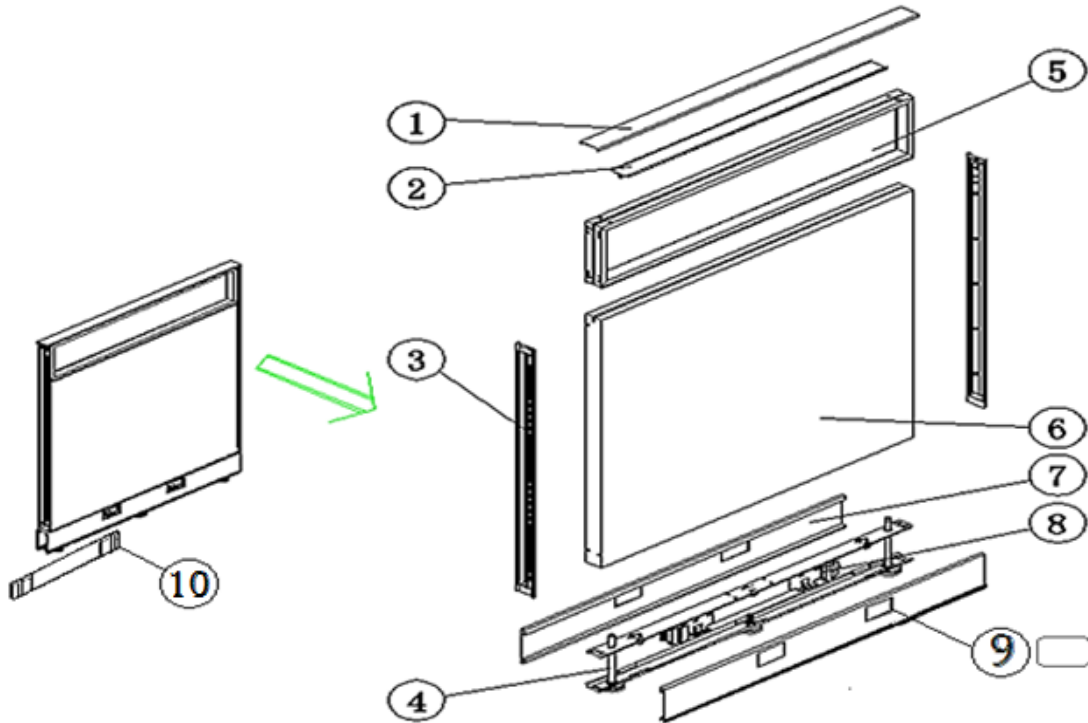
Novo

Panel
 Partial Glazed Panel - Powered
 FHPGHSPA.XXXX-E
 39-67"H

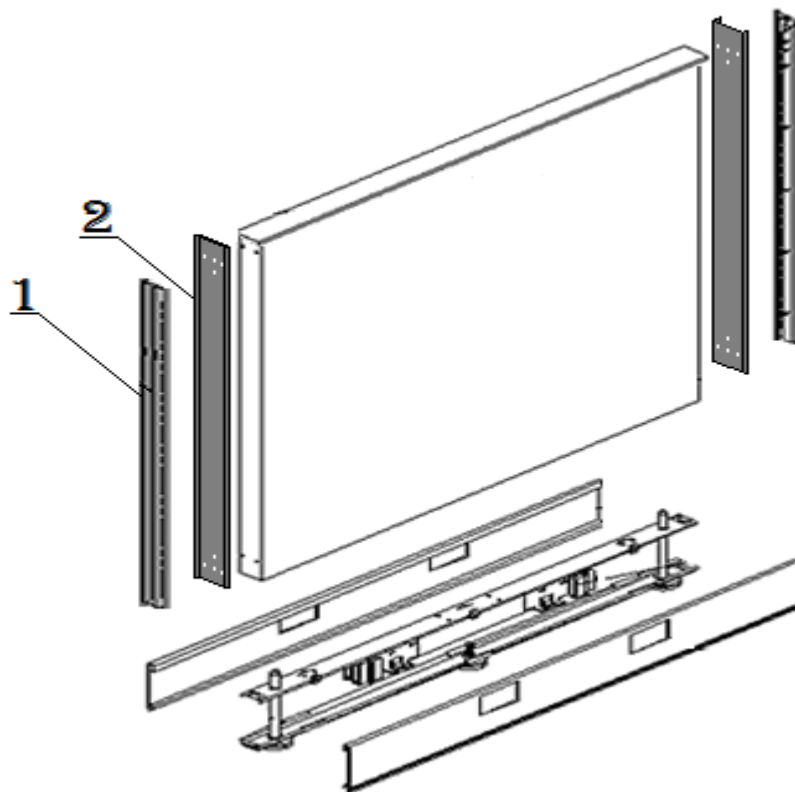


No.	Part number	Part Description	Finish selection	LIST
1	FHSA19-3	Panel Top Cap, 24"	YES	\$21
	FHSA19-4	Panel Top Cap, 30"	YES	\$26
	FHSA19-5	Panel Top Cap, 36"	YES	\$31
	FHSA19-6	Panel Top Cap, 42"	YES	\$36
	FHSA19-7	Panel Top Cap, 48"	YES	\$41
2	FHSP19-3	Top Cap Support, 24"	NO	\$14
	FHSP19-4	Top Cap Support, 30"	NO	\$18
	FHSP19-5	Top Cap Support, 36"	NO	\$22
	FHSP19-6	Top Cap Support, 42"	NO	\$26
	FHSP19-7	Top Cap Support, 48"	NO	\$30
3	FHSPSR-2	Novo One Piece Side Rail, 39"	YES	\$36
	FHSPSR-3	Novo One Piece Side Rail, 47"	YES	\$43
	FHSPSR-4	Novo One Piece Side Rail, 53"	YES	\$49
	FHSPSR-6	Novo One Piece Side Rail, 67"	YES	\$63

No.	Part number	Part Description	Finish selection	LIST
4	FHSA08-3-BK	Novo BASE - 24"	NO	\$75
	FHSA08-4-BK	Novo BASE - 30"	NO	\$80
	FHSA08-5-BK	Novo BASE - 36"	NO	\$85
	FHSA08-6-BK	Novo BASE - 42"	NO	\$98
	FHSA08-7-BK	Novo BASE - 48"	NO	\$103
5	FHPGA.1424-FR	Partial Glaze - Frosted, 24"	YES	\$323
	FHPGA.1430-FR	Partial Glaze - Frosted, 30"	YES	\$378
	FHPGA.1436-FR	Partial Glaze - Frosted, 36"	YES	\$454
	FHPGA.1442-FR	Partial Glaze - Frosted, 42"	YES	\$111
	FHPGA.1448-FR	Partial Glaze - Frosted, 48"	YES	\$570
	FHPGA.1424	Partial Glaze Panel, 24"	YES	\$294
	FHPGA.1430	Partial Glaze Panel, 30"	YES	\$346
	FHPGA.1436	Partial Glaze Panel, 36"	YES	\$399
	FHPGA.1442	Partial Glaze Panel, 42"	YES	\$451
	FHPGA.1448	Partial Glaze Panel, 48"	YES	\$503
6	FFPB-3424	Panel Blank	NO	\$104
	FFPB-3430	Panel Blank	NO	\$126
	FFPB-3436	Panel Blank	NO	\$144
	FFPB-3442	Panel Blank	NO	\$165
	FFPB-3448	Panel Blank	NO	\$179
	FFPB-4224	Panel Blank	NO	\$128
	FFPB-4230	Panel Blank	NO	\$153
	FFPB-4236	Panel Blank	NO	\$173
	FFPB-4242	Panel Blank	NO	\$176
	FFPB-4248	Panel Blank	NO	\$195
	FFPB-4824	Panel Blank	NO	\$134
	FFPB-4830	Panel Blank	NO	\$159
	FFPB-4836	Panel Blank	NO	\$185
	FFPB-4842	Panel Blank	NO	\$214
	FFPB-4848	Panel Blank	NO	\$230
	FFPB-6224	Panel Blank	NO	\$168
	FFPB-6230	Panel Blank	NO	\$177
	FFPB-6236	Panel Blank	NO	\$201
FFPB-6242	Panel Blank	NO	\$241	
FFPB-6248	Panel Blank	NO	\$261	



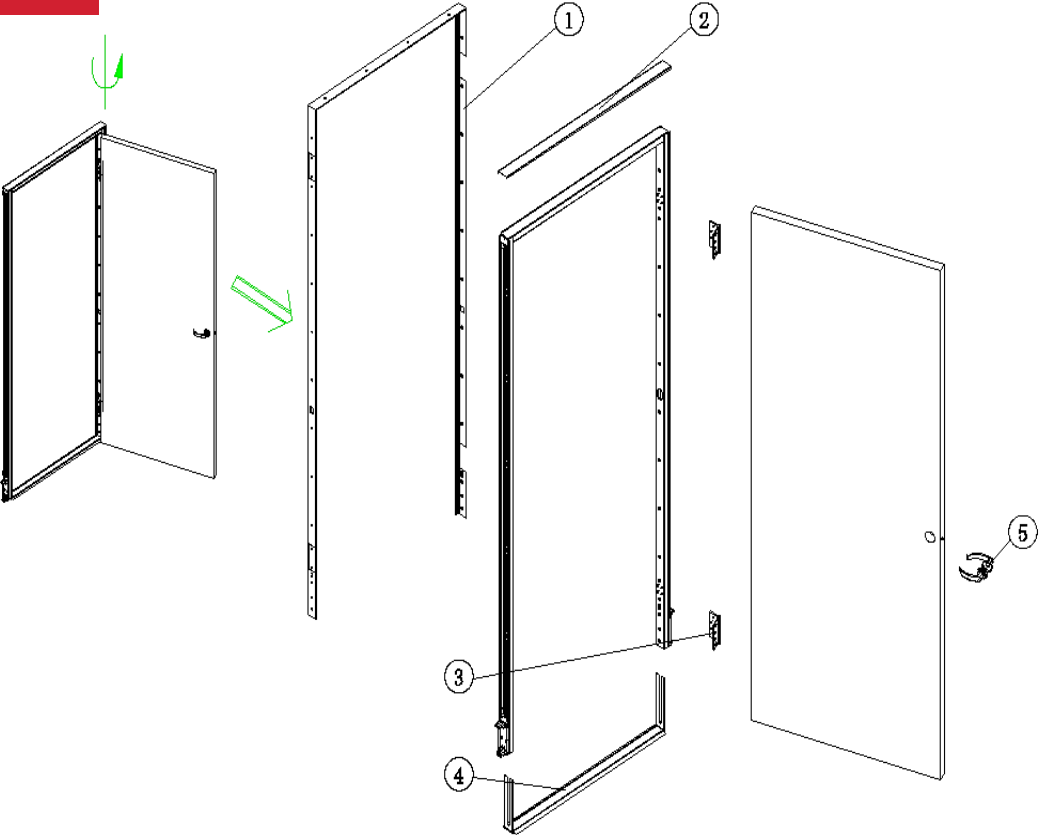
No.	Part number	Part Description	Finish selection	LIST
7	FHSP11M-3E	Novo metal base cover, with power cutouts 24"	YES	\$33
	FHSP11M-4E	Novo metal base cover, with power cutouts 30"	YES	\$41
	FHSP11M-5E	Novo metal base cover, with power cutouts 36"	YES	\$48
	FHSP11M-6E	Novo metal base cover, with power cutouts 42"	YES	\$55
	FHSP11M-7E	Novo metal base cover, with power cutouts 48"	YES	\$62
8	FHSP08-3-ZN	POWER RETRO, 24"	NO	\$118
	FHSP08-4-ZN	POWER RETRO, 30"	NO	\$157
	FHSP08-5-ZN	POWER RETRO, 36"	NO	\$184
	FHSP08-6-ZN	POWER RETRO, 42"	NO	\$221
	FHSP08-7-ZN	POWER RETRO, 48"	NO	\$257
9	FASP18-0	Plastic Cover for base cover cutouts	YES	\$3
10	FHSP03-1-BK	Novo Panel to Panel Festoon -18 9/16" - 18 15/16"	NO	\$138



No.	Part number	Part Description	Finish selection	LIST
1	FASS04-7	Hanger Rail - FOR 85" PANEL	YES	\$56
2	FHSS03-7	Novo Side Rail, 85"H	YES	\$38
3	FFPB-8024	Panel Blank	NO	\$204
	FFPB-8030	Panel Blank	NO	\$245
	FFPB-8036	Panel Blank	NO	\$278
	FFPB-8042	Panel Blank	NO	\$322
	FFPB-8048	Panel Blank	NO	\$358
	FFPB-8060	Panel Blank	NO	\$425

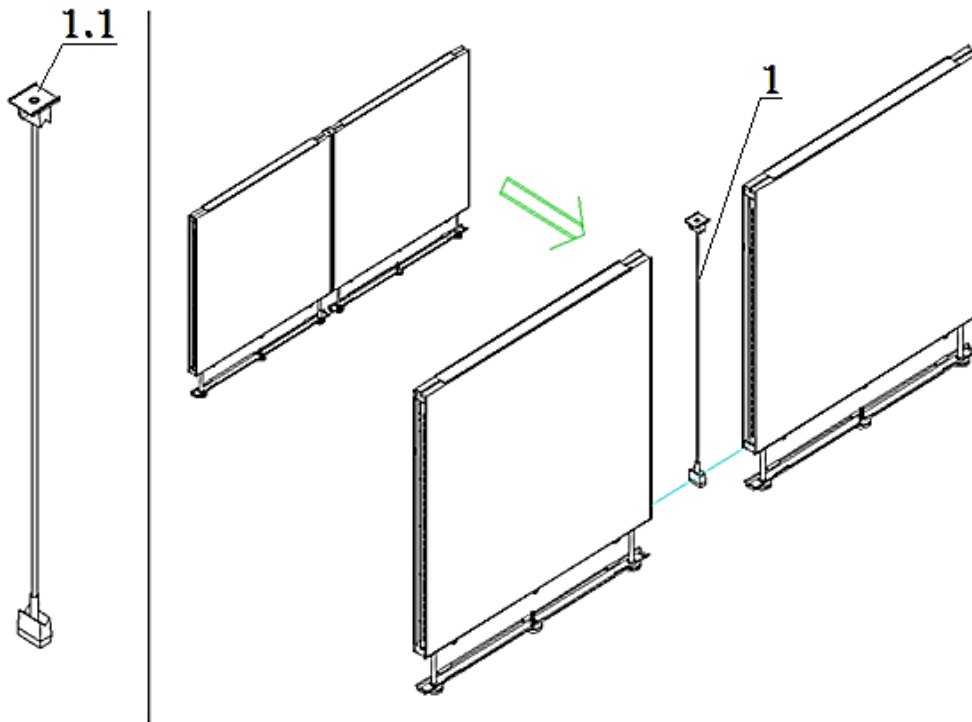


Novo
Door panel
FHDOPA.XXXL/R
85"H

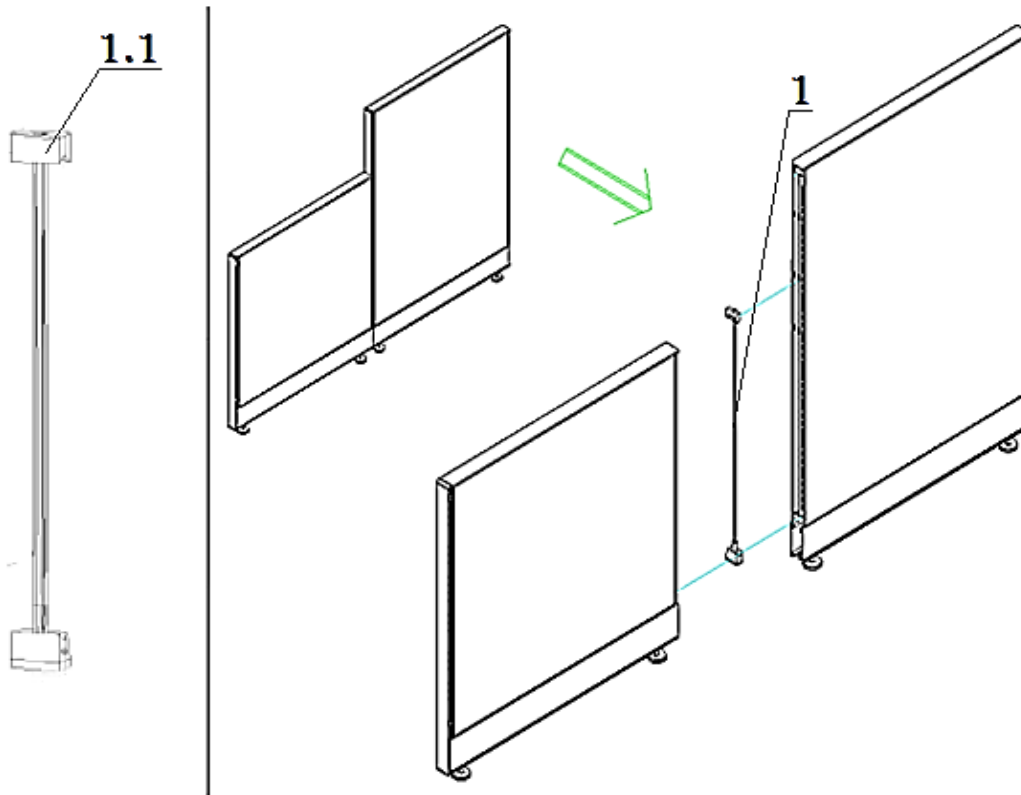


No.	Part Number	Description	Finish Selection	LIST
1	FIDOPA.8536R-F	Door Frame, 36	YES	\$2457
	FIDOPA.8542R-F	Door Frame, 42	YES	\$2523
2	FHSP19-5	Top Cap Support, 36"	NO	\$22
	FHSP19-6	Top Cap Support, 42"	NO	\$26
	FHSA19-5	Top cap, 36"	YES	\$31
	FHSA19-6	Top cap, 42"	YES	\$36
3	FDP.HINGE *	Door panel hinge (pair)	NA	
4	FDPT.36 *	Door Panel Threshold, 36		
	FDPT.42 *	Door Panel Threshold, 42		
5	F2DOPA.8548-H	Door knob	YES	

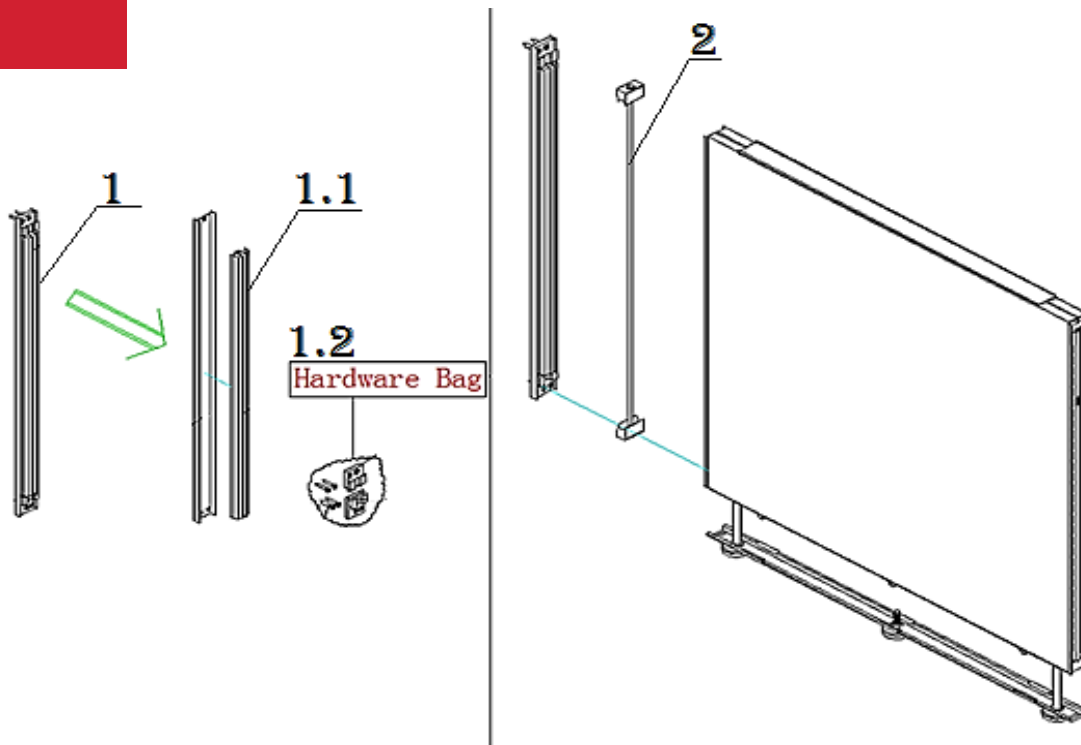
* These parts are not stocked separately. Included with door frame.



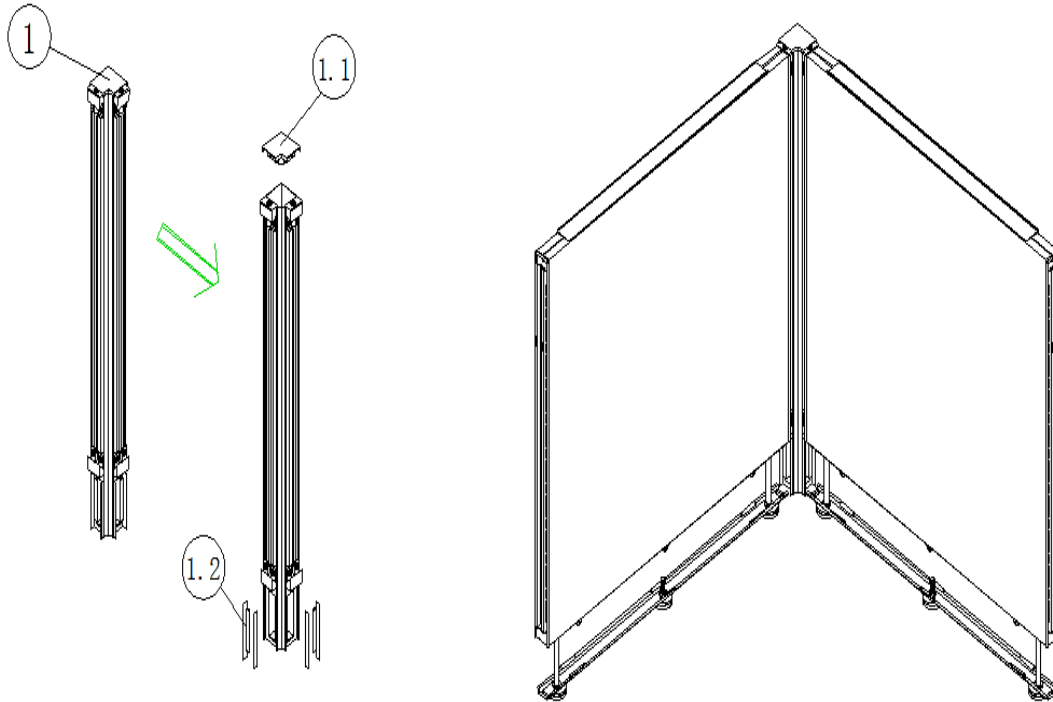
No.	Part Number	Description	Finish Selection	LIST
1	FHSM07-2	Novo Draw Rod with Panel to Panel Draw Block, 34"	NO	\$38
	FHSM07-3	Novo Draw Rod with Panel to Panel Draw Block, 42"	NO	\$39
	FHSM07-4	Novo Draw Rod with Panel to Panel Draw Block, 48"	NO	\$41
	FHSM07-6	Novo Draw Rod with Panel to Panel Draw Block, 62"	NO	\$45
	FHSM07-7	Novo Draw Rod with Panel to Panel Draw Block, 80"	NO	\$50
1.1	FHSA01-0-DT	Top block for Same height Draw Rod	NO	\$9



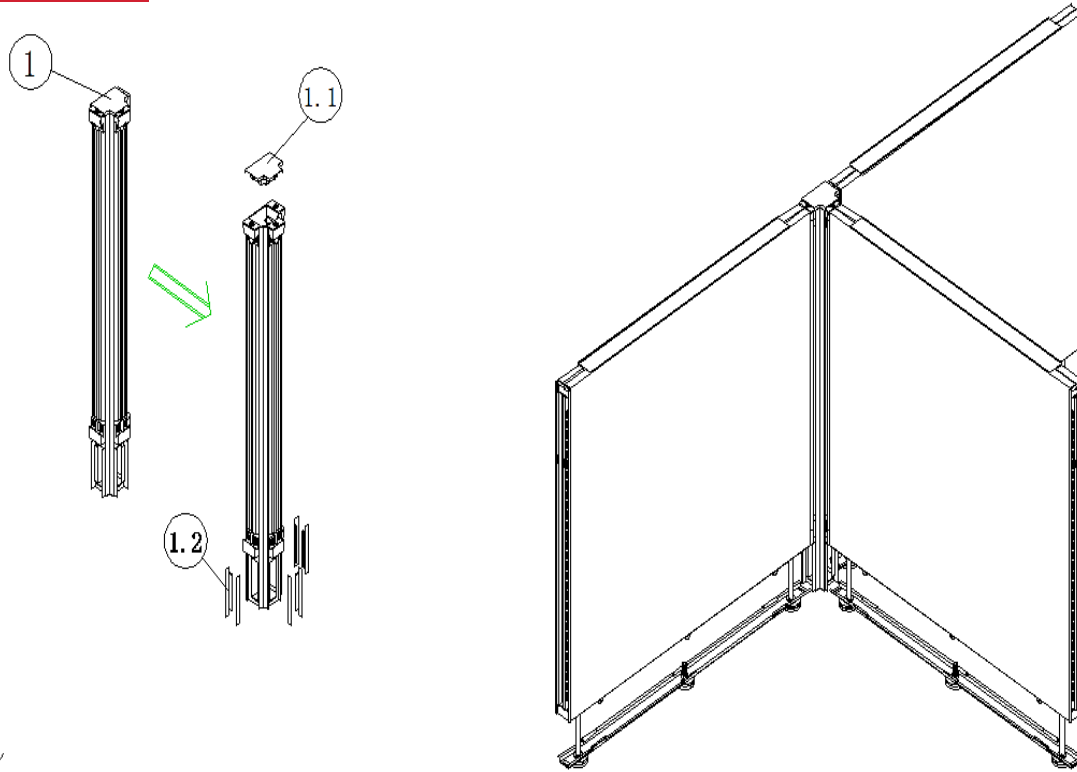
No.	Part Number	Description	Finish Selection	LIST
1	FDRCH-2	Draw Rod Change of Height, 34"	NO	\$38
	FDRCH-3	Draw Rod Change of Height, 42"	NO	\$39
	FDRCH-4	Draw Rod Change of Height, 48"	NO	\$41
	FDRCH-6	Draw Rod Change of Height, 62"	NO	\$45
1.1	FHSA01C-0-DT	Top block for COH draw rod	NO	\$8



No.	Part Number	Description	Finish Selection	LIST
1	FASM08-2	Wall Start, 34"	YES	\$71
	FASM08-3	Wall Start, 42"	YES	\$82
	FASM08-4	Wall Start, 48"	YES	\$89
	FASM08-6	Wall Start, 62"	YES	\$102
	FASM08-7	Wall Start, 80"	YES	\$124
1.1	1AO07-11XX	Wall Start, Plastic Filler Strip	NO	\$0
1.2	FWSTA.H	Hardware Bag, Wall Start Upper Block, Bottom Block and Screws	NO	\$12
2	FASM07-2	Novo Draw Rod Wall Start/Power Pole, 34"	NO	\$37
	FASM07-3	Novo Draw Rod Wall Start/Power Pole, 42"	NO	\$38
	FASM07-4	Novo Draw Rod Wall Start/Power Pole, 48"	NO	\$39
	FASM07-6	Novo Draw Rod Wall Start/Power Pole, 62"	NO	\$44
	FASM07-7	Novo Draw Rod Wall Start/Power Pole, 80"	NO	\$48



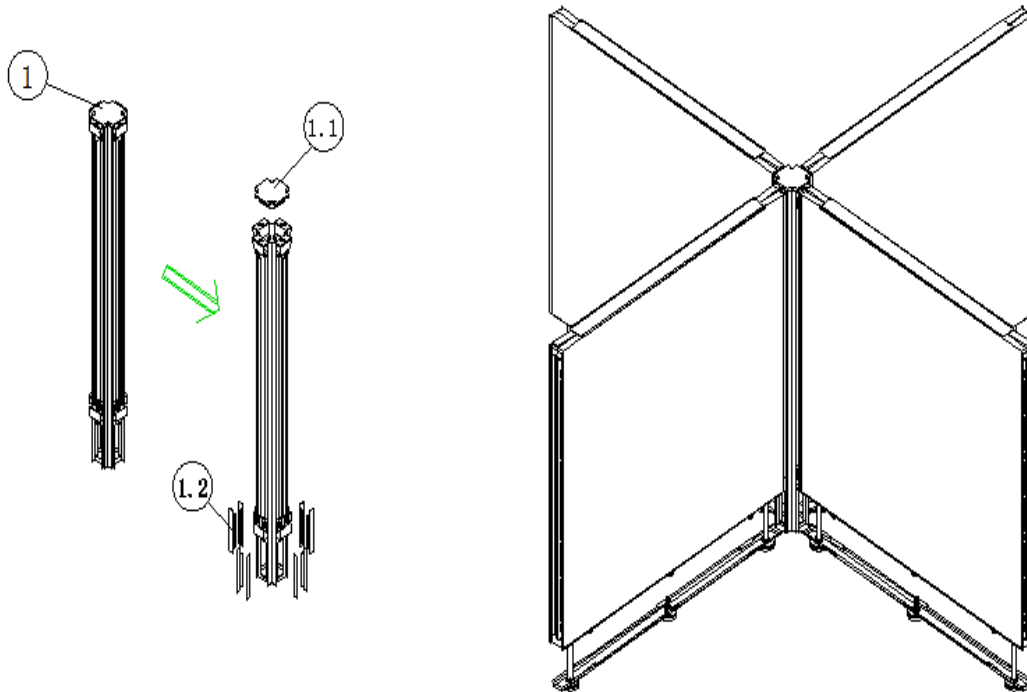
No.	Part Number	Description	Finish Selection	LIST
1	FHSM02-2	2-WAY 90 CONNECTOR POST, 39"	YES	\$224
	FHSM02-3	2-WAY 90 CONNECTOR POST, 47"	YES	\$254
	FHSM02-4	2-WAY 90 CONNECTOR POST, 53"	YES	\$278
	FHSM02-6	2-WAY 90 CONNECTOR POST, 67"	YES	\$321
	FHSM02-7	2-WAY 90 CONNECTOR POST, 85"	YES	\$403
1.1	FHSP17	2-Way 90 Connector TOP Cap	YES	\$19
1.2	FHCBFS	NOVO connector vinyl strips	NO	\$3



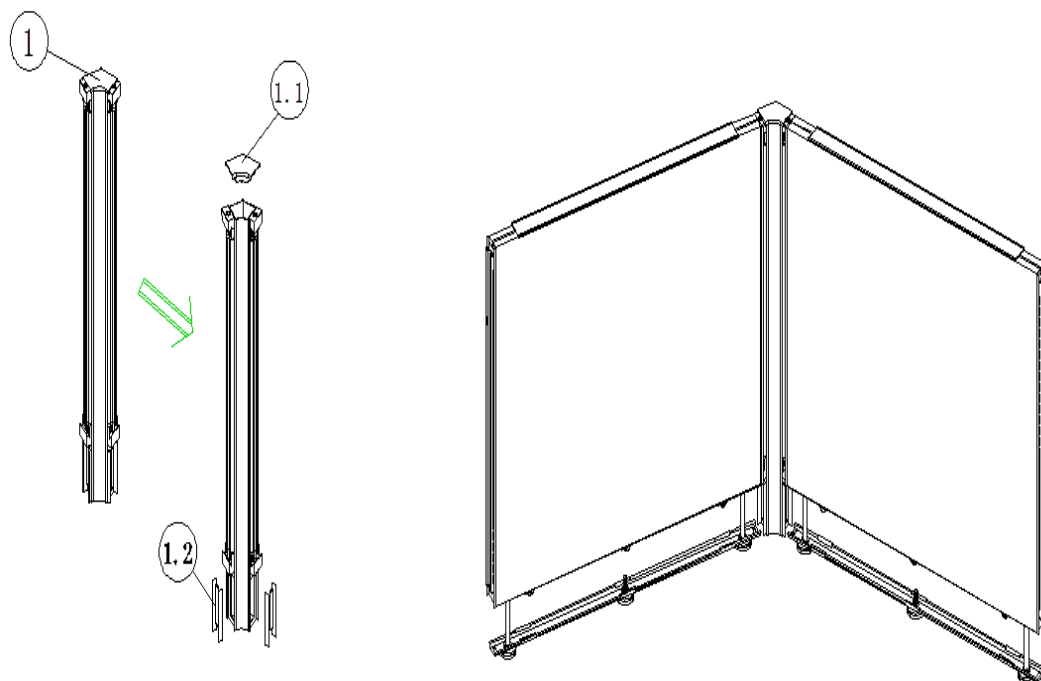
No.	Part Number	Description	Finish Selection	LIST
1	FHSM03-2	3-WAY 90 CONNECTOR POST, 39"	YES	\$266
	FHSM03-3	3-WAY 90 CONNECTOR POST, 47"	YES	\$301
	FHSM03-4	3-WAY 90 CONNECTOR POST, 53"	YES	\$326
	FHSM03-6	3-WAY 90 CONNECTOR POST, 67"	YES	\$379
	FHSM03-7	3-WAY 90 CONNECTOR POST, 85"	YES	\$471
1.1	FHSP13	3-Way 90 Connector TOP Cap	YES	\$19
1.2	FHCBFS	NOVO connector vinyl strips	NO	\$3



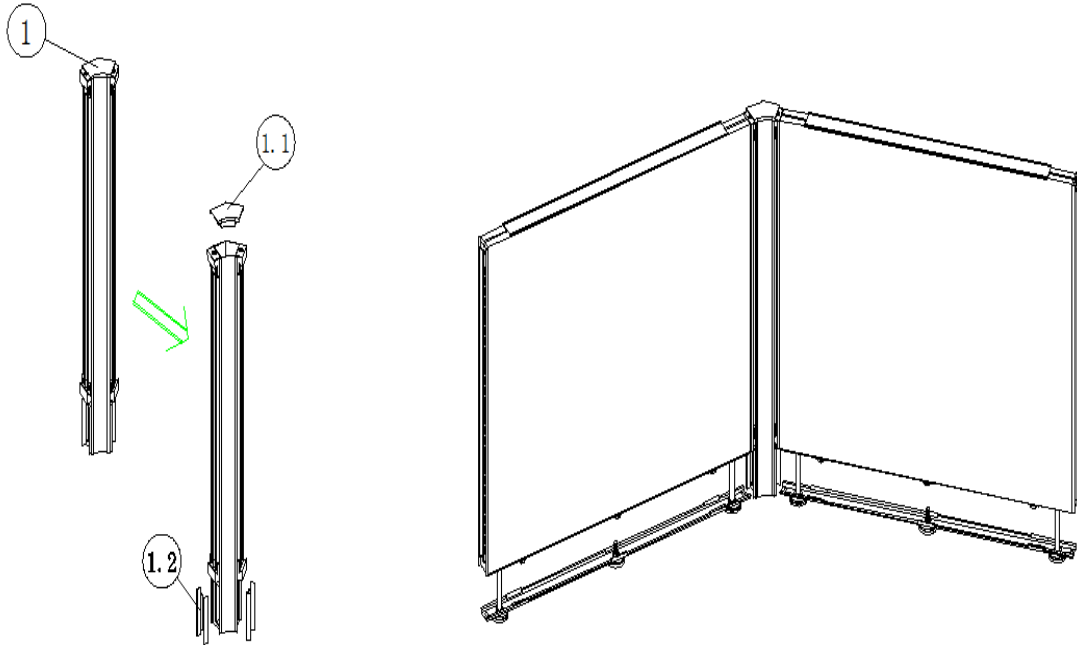
Novo
4-Way 90 Connector Post
FH4W-XX
39-85"H



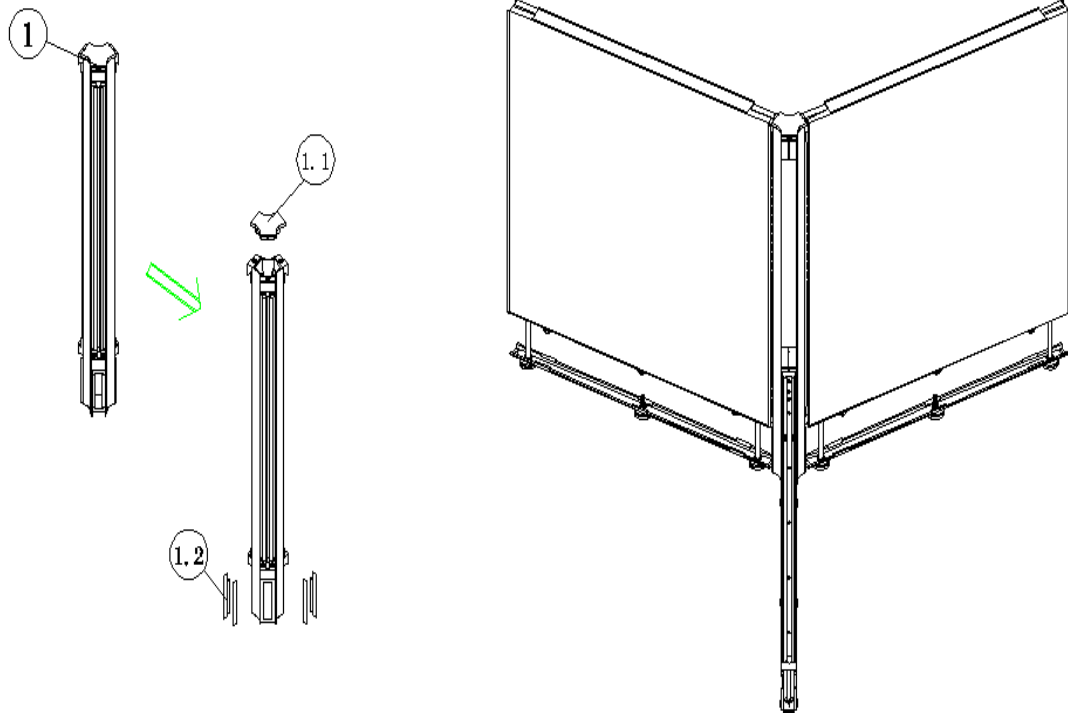
No.	Part Number	Description	Finish Selection	LIST
1	FHSM04-2	4-WAY 90 CONNECTOR POST, 39"	YES	\$286
	FHSM04-3	4-WAY 90 CONNECTOR POST, 47"	YES	\$331
	FHSM04-4	4-WAY 90 CONNECTOR POST, 53"	YES	\$350
	FHSM04-6	4-WAY 90 CONNECTOR POST, 67"	YES	\$435
	FHSM04-7	4-WAY 90 CONNECTOR POST, 85"	YES	\$545
1.1	FHSP14	4-Way 90 Connector TOP Cap	YES	\$19
1.2	FHCBFS	NOVO connector vinyl strips	NO	\$3



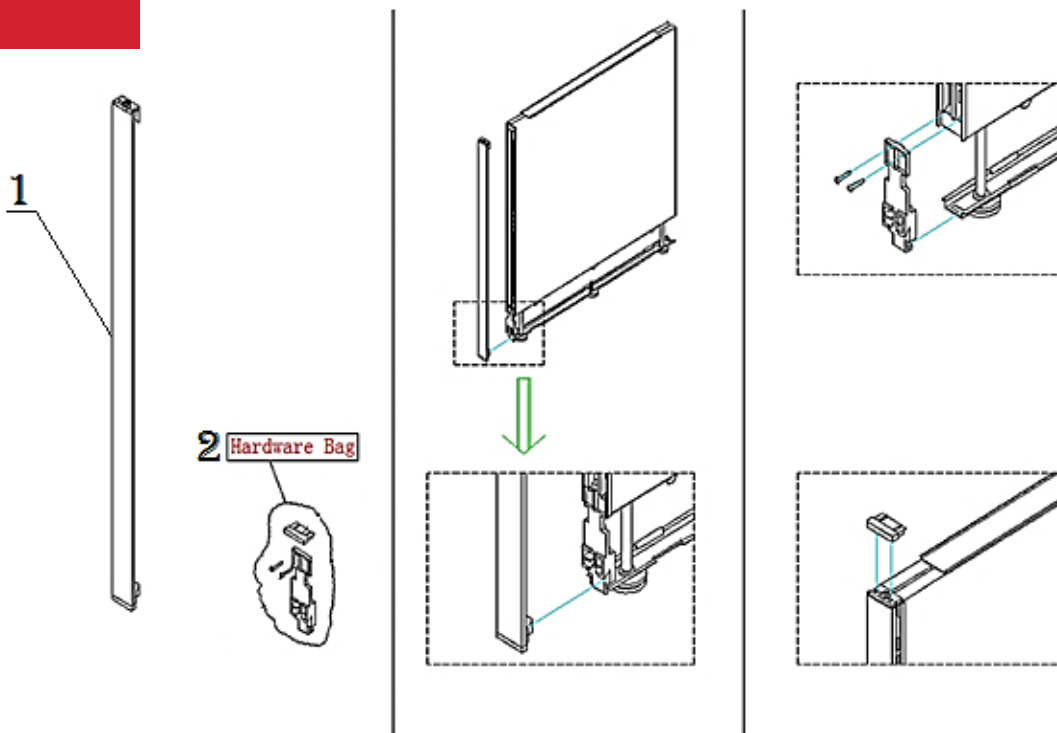
No.	Part Number	Description	Finish Selection	LIST
1	FHSM12-2	2-Way 120 Connector Post assembled with Bottom, 39"	YES	\$348
	FHSM12-3	2-Way 120 Connector Post assembled with Bottom, 47"	YES	\$387
	FHSM12-4	2-Way 120 Connector Post assembled with Bottom, 53"	YES	\$417
	FHSM12-6	2-Way 120 Connector Post assembled with Bottom, 67"	YES	\$487
	FHSM12-7	2-Way 120 Connector Post assembled with Bottom, 85"	YES	\$570
1.1	FHSP42	Two-Way 120 Connector TOP Cap	YES	\$15
1.2	FHCBFS	NOVO connector vinyl strips	NO	\$3



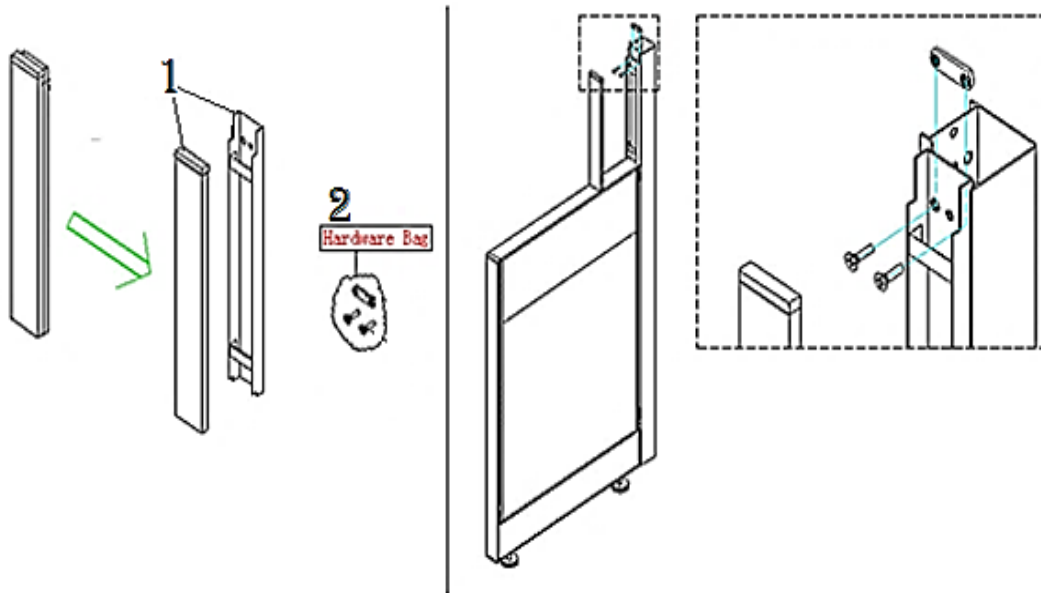
No.	Part Number	Description	Finish Selection	LIST
1	FHSM13-2	2 Way 135° Connector, 39"	YES	\$341
	FHSM13-3	2 Way 135° Connector, 47"	YES	\$376
	FHSM13-4	2 Way 135° Connector, 53"	YES	\$403
	FHSM13-6	2 Way 135° Connector, 67"	YES	\$465
	FHSM13-7	2 Way 135° Connector, 85"	YES	\$539
1.1	FHSP43	2 Way 135° Connector TOP CAP	YES	\$15
1.2	FHCBFS	NOVO connector vinyl strips	NO	\$3



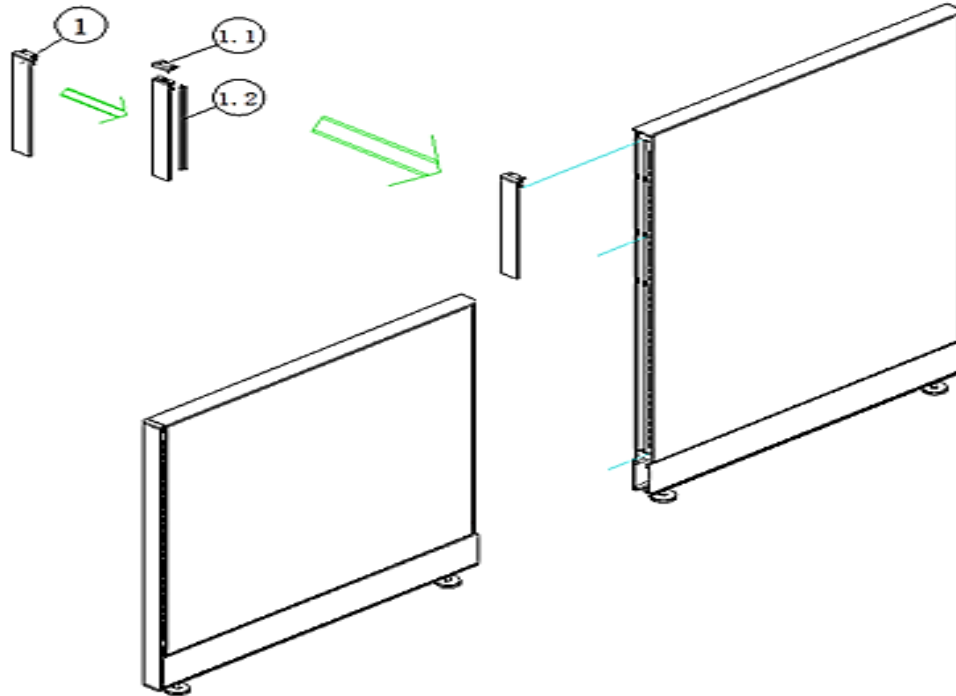
No.	Part Number	Description	Finish Selection	LIST
1	FHSM14-2	3-Way 120 Connector Post assembled with Bottom, 39"	YES	\$295
	FHSM14-3	3-Way 120 Connector Post assembled with Bottom, 47"	YES	\$339
	FHSM14-4	3-Way 120 Connector Post assembled with Bottom, 53"	YES	\$373
	FHSM14-6	3-Way 120 Connector Post assembled with Bottom, 67"	YES	\$451
	FHSM14-7	3-Way 120 Connector Post assembled with Bottom, 85"	YES	\$582
1.1	FHSP44	3-Way 120 TOP Cap	YES	\$15
1.2	FHCBFS	NOVO connector vinyl strips	NO	\$3



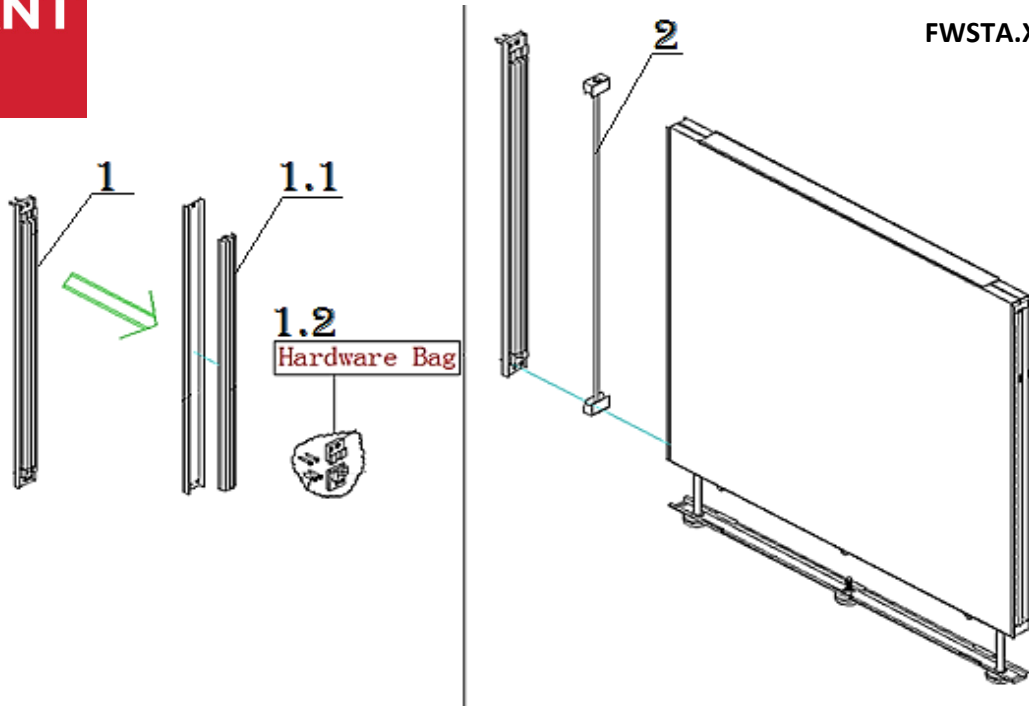
No.	Part Number	Description	Finish Selection	LIST
1	FHFE-2	Finish end 39"	YES	\$97
	FHFE-3	Finish end 47"	YES	\$110
	FHFE-4	Finish end 53"	YES	\$120
	FHFE-6	Finish end 67"	YES	\$144
	FHFE-7	Finish end 85"	YES	\$176
2	FHFE-HW	Hardware Bag - Finish End Top Trim, Finish End Bottom Block, and 2 Screws	YES	\$15



No.	Part Number	Description	Finish Selection	LIST
1	FHSM09-06	NOVO Finish End, Change of Height, 6"	YES	\$20
	FHSM09-08	NOVO Finish End, Change of Height, 8"	YES	\$23
	FHSM09-14	NOVO Finish End, Change of Height, 14"	YES	\$30
	FHSM09-18	NOVO Finish End, Change of Height, 18"	YES	\$34
	FHSM09-20	NOVO Finish End, Change of Height, 20"	YES	\$38
	FHSM09-28	NOVO Finish End, Change of Height, 28"	YES	\$48
	FHSM09-32	NOVO Finish End, Change of Height, 32"	YES	\$53
	FHSM09-38	NOVO Finish End, Change of Height, 38"	YES	\$63
	FHSM09-46	NOVO Finish End, Change of Height, 46"	YES	\$73
2	FHFECH.H	Change of height trim for connector, hardware - FASS05 thread connecting plate, Cross counter head self-tapping screws M6*30	NO	\$4

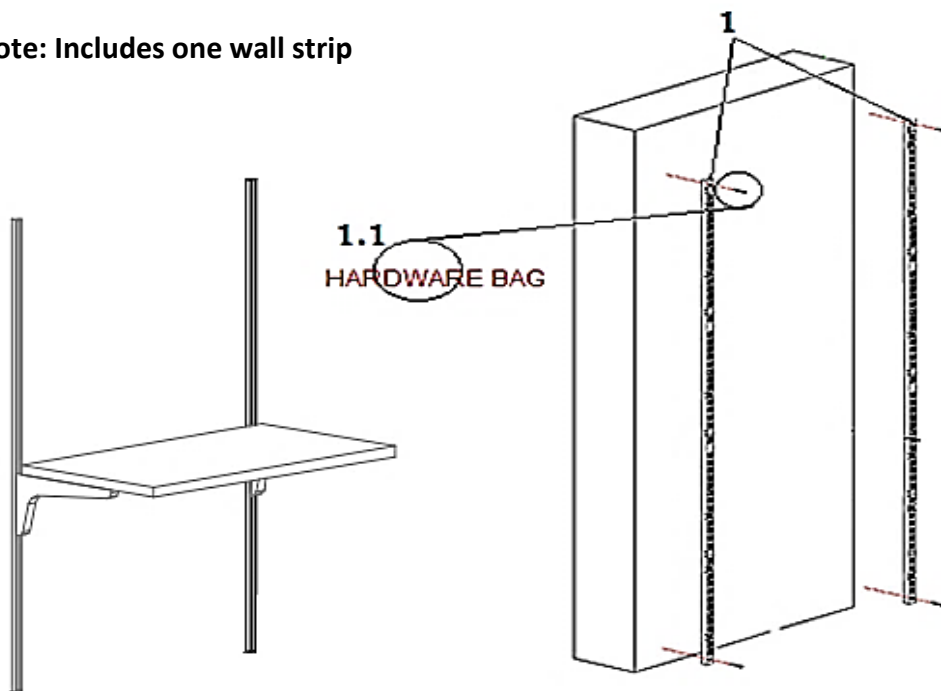


No.	Part Number	Description	Finish Selection	LIST
1	FHFECHS.06	Change of Height for panels, 6"	YES	\$28
	FHFECHS.08	Change of Height for panels, 8"	YES	\$32
	FHFECHS.14	Change of Height for panels, 14"	YES	\$43
	FHFECHS.18	Change of Height for panels, 18"	YES	\$50
	FHFECHS.20	Change of Height for panels, 20"	YES	\$53
	FHFECHS.28	Change of Height for panels, 28"	YES	\$64
	FHFECHS.32	Change of Height for panels, 32"	YES	\$71
	FHFECHS.38	Change of Height for panels, 38"	YES	\$82
	FHFECHS.46	Change of Height for panels, 46"	YES	\$96
1.1	FHTPB	Top Trim	YES	\$5
1.2	FHSP.QTJ.06	Plastic Strip Only, 6"	YES	\$2
	FHSP.QTJ.08	Plastic Strip Only, 8"	YES	\$2
	FHSP.QTJ.14	Plastic Strip Only, 14"	YES	\$5

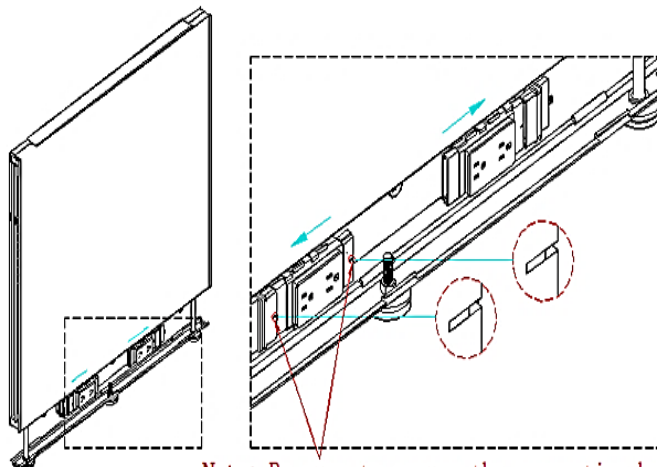
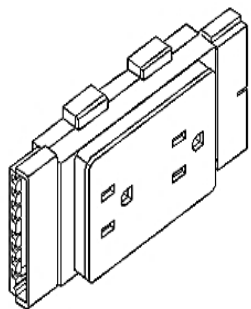


No.	Part Number	Description	Finish Selection	LIST
1	FASM08-2	Wall Start, 34"	YES	\$71
	FASM08-3	Wall Start, 42"	YES	\$82
	FASM08-4	Wall Start, 48"	YES	\$89
	FASM08-6	Wall Start, 62"	YES	\$102
	FASM08-7	Wall Start, 80"	YES	\$124
1.1	1A007-11XX	Wall Start Plastic Strip B046-2, 34"	NO	\$7
		B046-3, 42"	NO	\$9
		B046-4, 48"	NO	\$10
		B046-6, 62"	NO	\$14
		B046-7, 80"	NO	\$18
1.2	FWSTA.H	Hardware Bag, Wall Start Upper Block, Bottom Block and Self-Tapping Screws M6*50	NO	\$28
2	FASM07-2	Novo Draw Rod Wall Start/Power Pole, 34"	NO	\$37
	FASM07-3	Novo Draw Rod Wall Start/Power Pole, 42"	NO	\$38
	FASM07-4	Novo Draw Rod Wall Start/Power Pole, 48"	NO	\$39
	FASM07-6	Novo Draw Rod Wall Start/Power Pole, 62"	NO	\$44
	FASM07-7	Novo Draw Rod Wall Start/Power Pole, 80"	NO	\$48

Note: Includes one wall strip

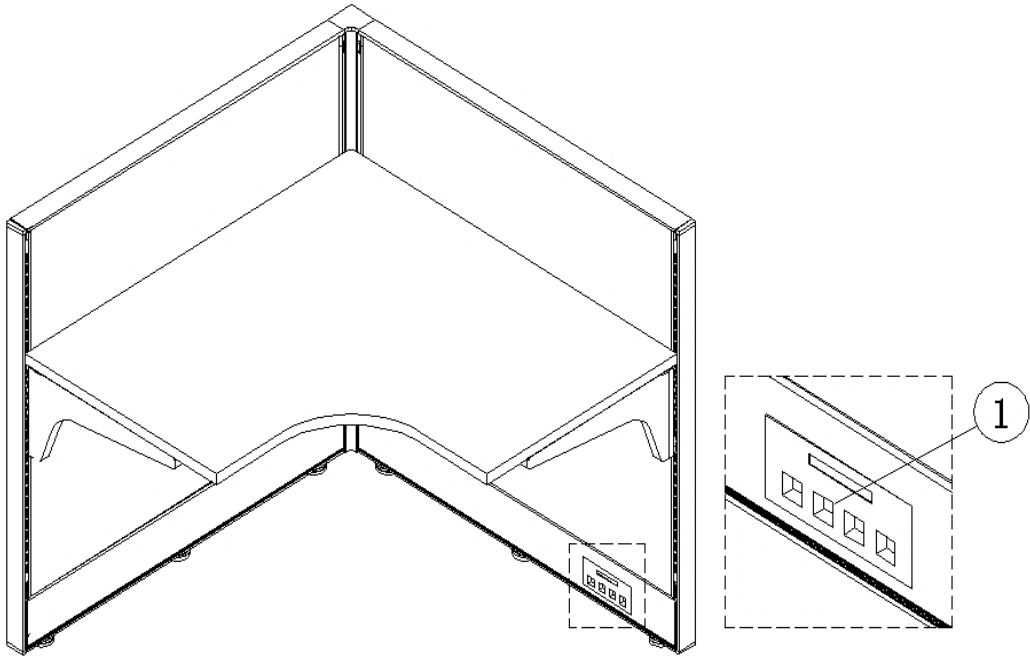


No.	Part Number	Description	Finish Selection	List
1	FWSST.40	Wall Strip, 60"H	YES	\$101
	FWSST.56	Wall Strip, 72"H	YES	\$121
	FWSST.64	Wall Strip, 84"H	YES	\$141



Note: Be sure to secure the connction, by sliding the receptacle until it clicks and locks into spring clip.

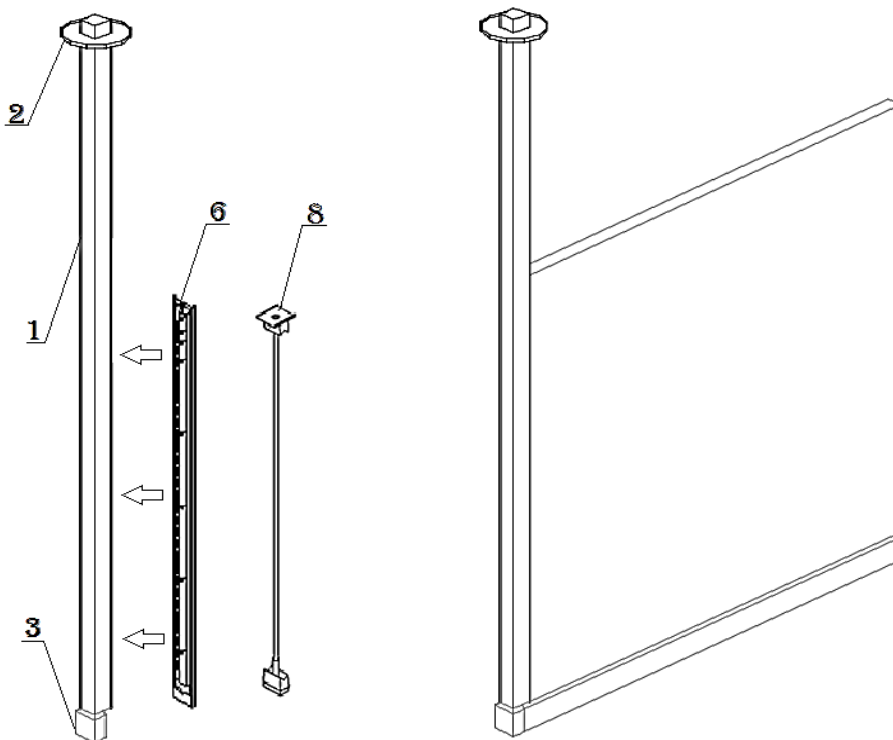
No.	Part Number	Description	Finish Selection	LIST
1	FHRECP4.I	Receptacle, 4 Circuit-A	YES	\$46
	FHRECP4.II	Receptacle, 4 Circuit-B	YES	\$46
	FHRECP4.III	Receptacle, 4 Circuit-C	YES	\$46
	FHRECP4.IIII	Receptacle, 4 Circuit-D, Dedicated	YES	\$46
	FHRECP4.II-CONT	Receptacle, 4 Circuit-B CONTROLLED	YES	\$46
	FHRECP4.III-CONT	Receptacle, 4 Circuit-C CONTROLLED	YES	\$46



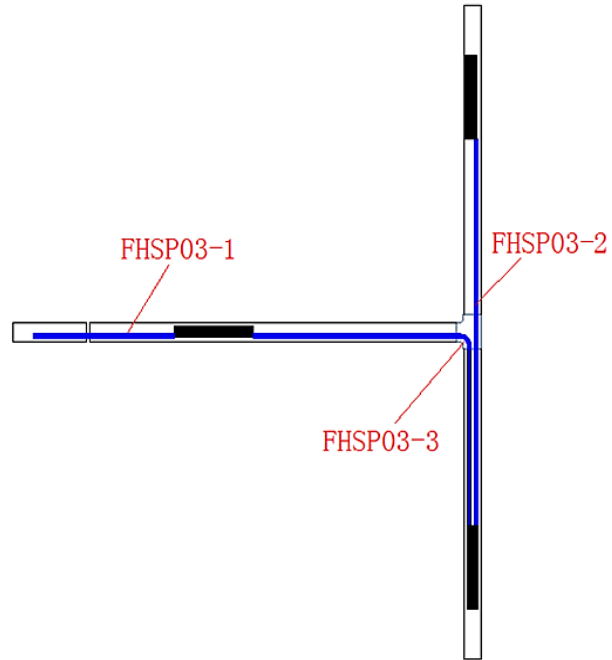
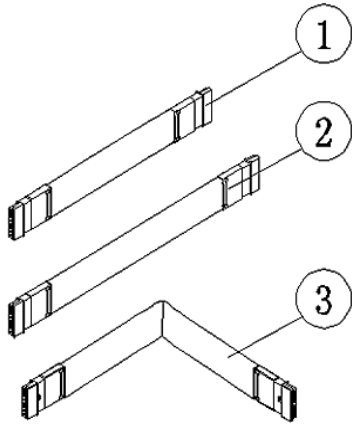
No.	Part Number	Description	Finish Selection	List
1	FHDPP	3/4" DEEP DATA PORT PLATE	YES	\$45
	FIGU.BU FIGU.CW FIGU.SV	3" PLASTIC GROMMET FOR USE WITH WORKSURFACES (image not shown here)	YES	\$2

To attach at a:

- 2-Way connection point, order a 3-Way connector
- 3-Way connection point, order a 4-Way connector
- End of a panel run, order a draw



No.	Part Number	Description	Finish Selection	List
1	FASP22-1	Power Pole	YES	\$375
2	FASP37-0	Power Pole Top	YES	\$18
3	FASP38-0	Power Pole Bottom	YES	\$16
4	FHSP20-3	Ceiling Power, 4-Circuit, 8-Wire, 14ft	NO	\$901
5	FASA03	Panel Wedge Block	NO	\$3
6	FHSPSR-2	Novo One Piece Side Rail, 39"H	YES	\$36
	FHSPSR-3	Novo One Piece Side Rail, 47"H	YES	\$43
	FHSPSR-4	Novo One Piece Side Rail, 53"H	YES	\$49
	FHSPSR-6	Novo One Piece Side Rail, 67"H	YES	\$63
7	FHSS03-7	Novo Side Rail - For 85"H Panel	YES	\$38
7.1	FASS04-7	Hanger Rail - For 85"H Panel	YES	\$56
8	FHSM07-2	Novo Draw Rod, 34"	NO	\$38
	FHSM07-3	Novo Draw Rod, 42"	NO	\$39
	FHSM07-4	Novo Draw Rod, 48"	NO	\$41
	FHSM07-6	Novo Draw Rod, 62"	NO	\$45
	FHSM07-7	Novo Draw Rod, 80"	NO	\$50

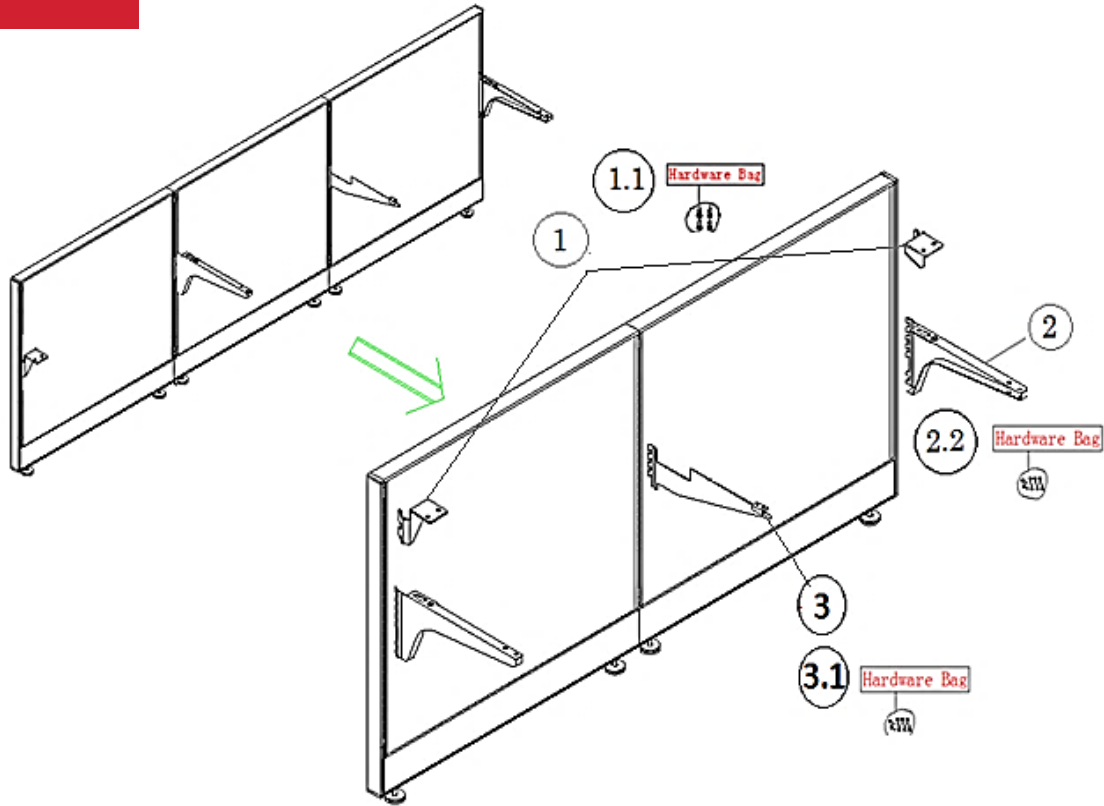


No.	Part Number	Description	Finish Selection	LIST
1	FHSP03-1	Panel to Panel Festoon, 18 9/16" - 18 15/16"	NO	\$138
2	FHSP03-2	Panel thru Post Festoon, 22" - 22 1/4"	NO	\$176
3	FHSP03-3	Festoon 90 degree, 21 1/4" - 21 1/2"	NO	\$132

Corner Bracket - FHWSB.L/R

Cantilever Bracket - FASS10-L/R

Center Support Bracket - FASA12-0-XX



No.	Part Number	Description	Finish Selection	LIST
1	FASS10-R	Work Surface Corner Bracket, Right	YES	\$13
	FASS10-L	Work Surface Corner Bracket, Left	YES	\$13
1.1	FASS10.H	Corner brackets Hardware Bag M5*20 cross pan head self-tapping screws (all systems)	NO	\$1
2	FASS01-LR	18" DEEP CANTILEVER (PAIR)	YES	\$88
	FASS02-LR	24" DEEP CANTILEVER (PAIR)	YES	\$106
2.1	FASS0X.H	Pins and buttons kit for pair of cantilevers (all depths, all systems) Cross padded screws/M5*30, Cross jacketed screws/M5*30, Hex set screw 5\16-18*17	NO	\$4
3	FASS33-24	AO center support 24"	YES	\$99
	FASS34-30	AO center support 30"	YES	\$123
3.1	FASS3X.H	Hardware bag for center supports, hex flat point set screws 5\16-18UNC L16mm (all depths, all systems)	NO	\$2



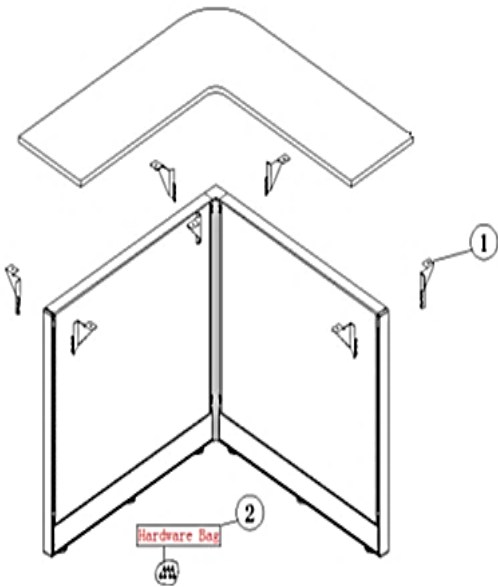
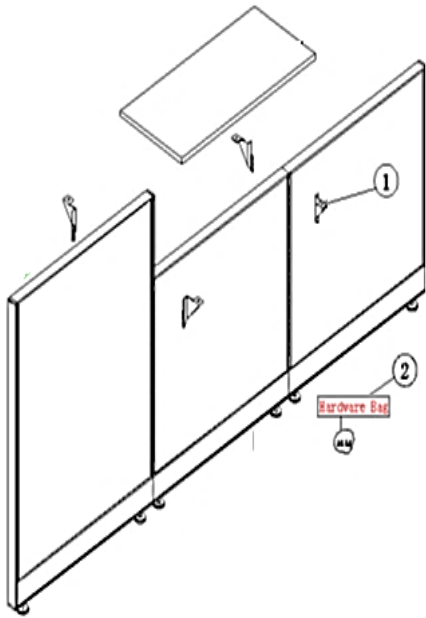
Novo

Transaction Worksurface Supports

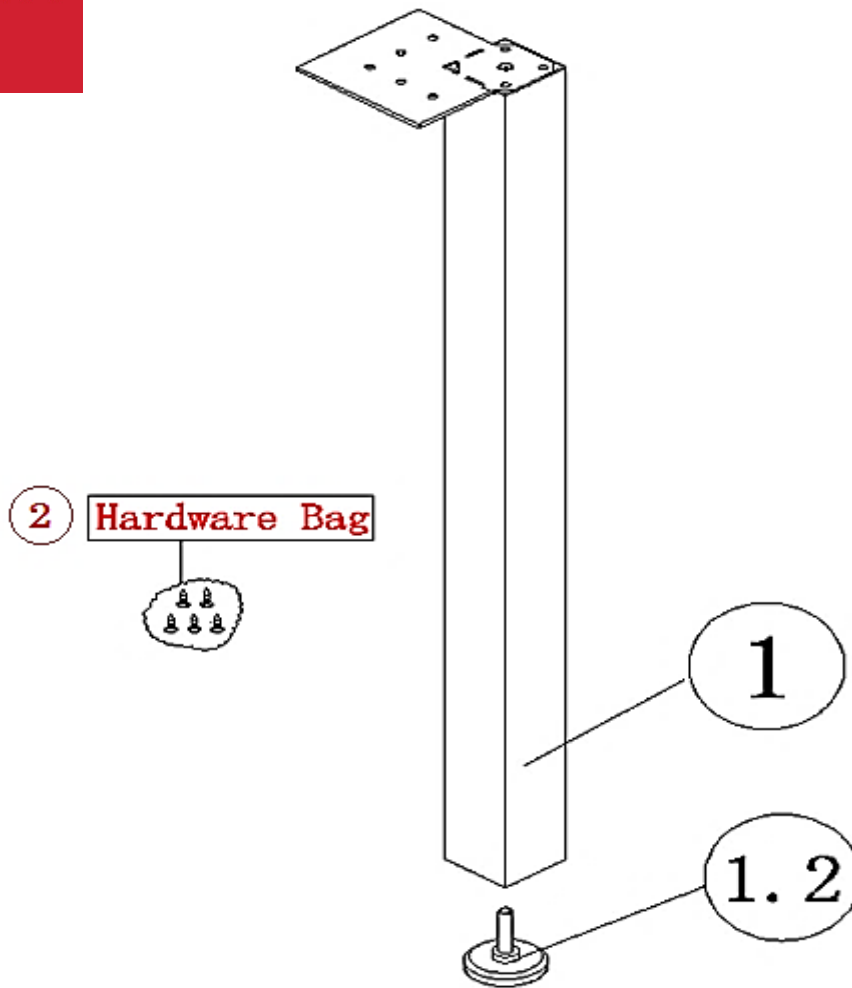
Transaction Surface - FHERTS.XXXXL

Transaction Surface at Change of Height - FHERTS.XXXXLC

Corner Transaction - FHECTS.XX

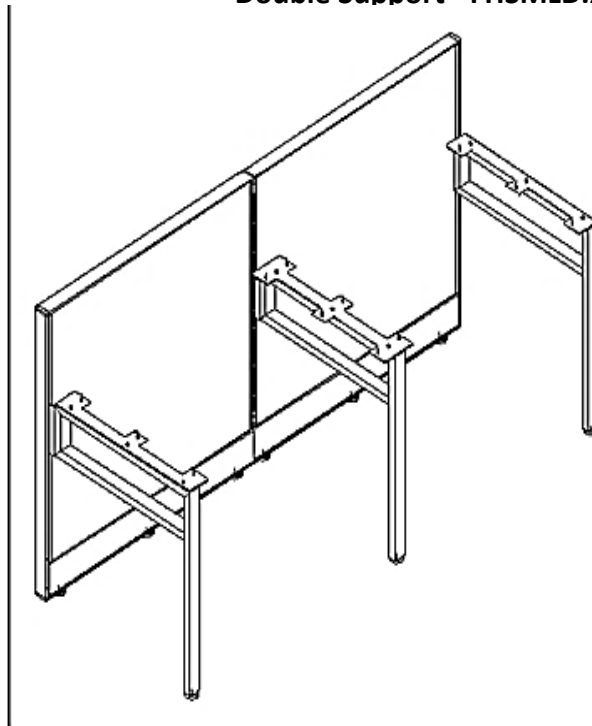
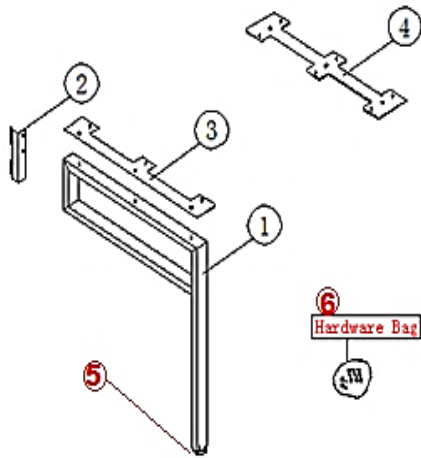


No.	Part Number	Description	Finish Selection	LIST
1	FHOTLB	Bracket L/R (PAIR)	YES	\$44
2	FHOTLB.H	Hardware package for pair of transaction top brackets	NO	\$2



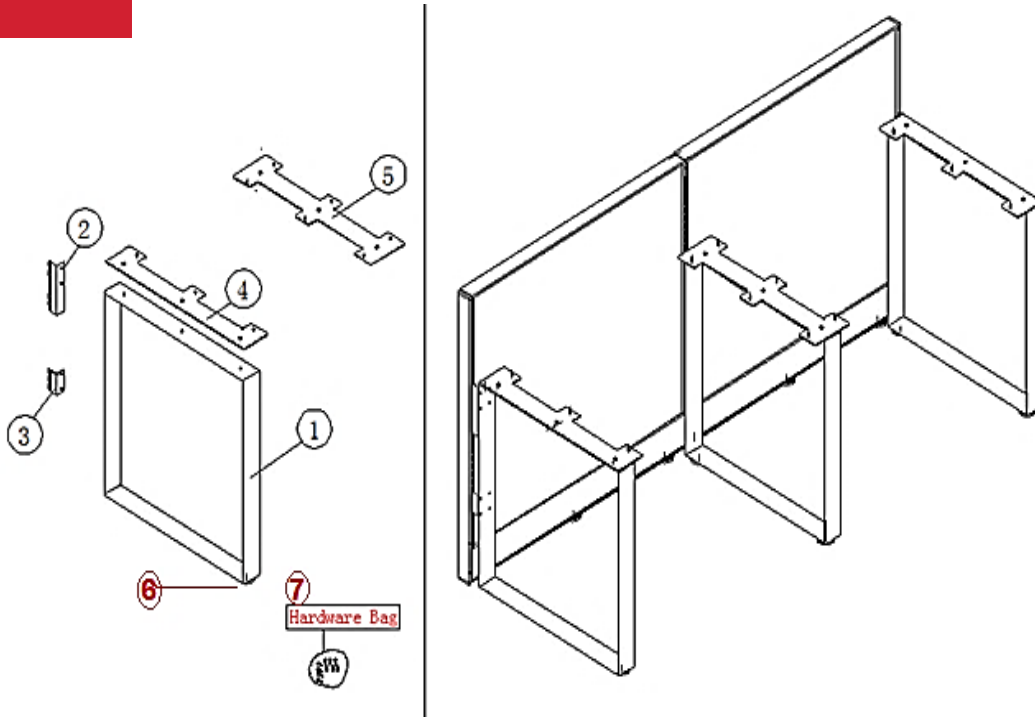
No.	Part Number	Description	Finish Selection	LIST
1	FHSPL.2	Square Post Leg, 2"	YES	\$138
	FHSPL.3	Square Post leg, 3"	YES	\$182
1.1	FIGL	Glide for use with Interra panel or support legs	NO	\$3
2	FSPL.H	Post Leg Hardware package (all sizes, all systems) M5*20/cross counter head thread forming screws	NO	\$1

Square Metal P Leg
 Single Support - FHSMLS.XX
 Double Support - FHSMLD.XX



No.	Part Number	Description	Finish Selection	LIST
1	SML.24	Square Metal P Leg Only, 24"	YES	\$150
	SML.30	Square Metal P Leg Only, 30"	YES	\$167
2	FHBRKT.TOPPKG	Novo Top Bracket Pair L+R	YES	\$19
3	SML.24SP	Square Metal P Leg Single Connect Plate - 24"	YES	\$51
	SML.30SP	Square Metal P Leg Single Connect Plate - 30"	YES	\$64
4	SML.24DP	Square Metal P Leg Double Connect Plate - 24"	YES	\$74
	SML.30DP	Square Metal P Leg Double Connect Plate - 30"	YES	\$90
5	FIGL	Glide for use with Interra panel or support legs	NO	\$3
6	SML.TML.H	Universal hardware package for Triangle leg/P leg, single/double - Cross counter head self tapping screws/M5*20, Cross counter head secrws/M5*15	NO	\$2

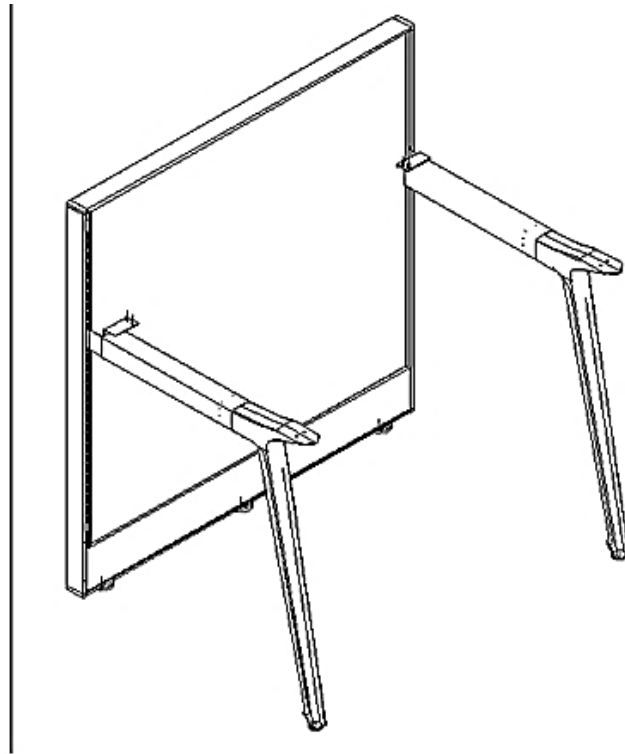
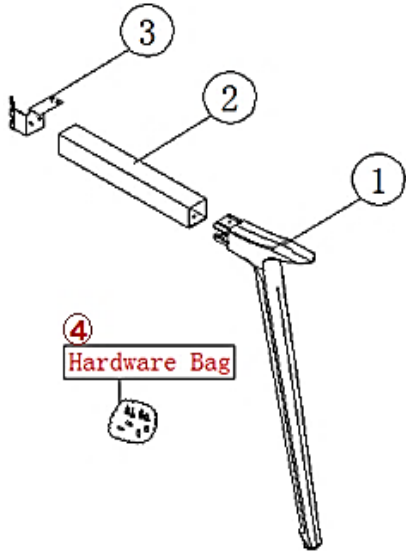
Square Corner Triangle Shape Leg
 Single Support - FHTMLDS.XX
 Double Support - FHTMLDD.XX



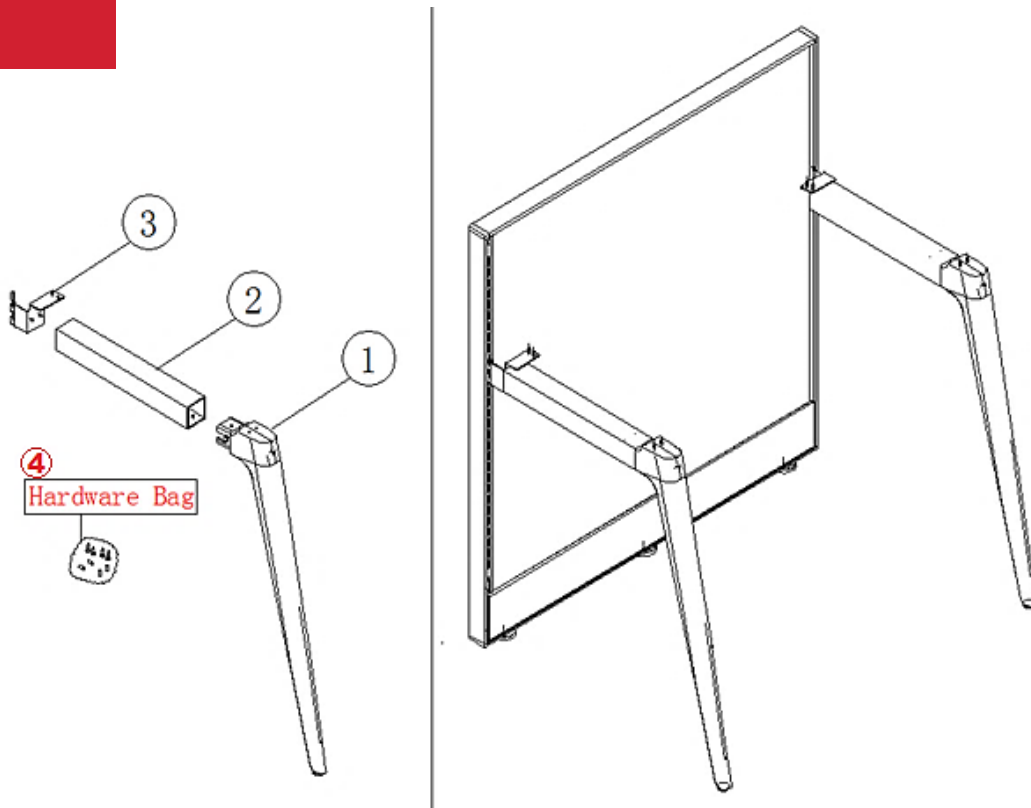
No.	Part Number	Description	Finish Selection	LIST
1	TMLD.24	Triangle Leg Only, 24"	YES	\$181
	TMLD.30	Triangle Leg Only, 30"	YES	\$202
2	FHBRKT.TOPPKG	Top Bracket PAIR L+R	YES	\$19
3	FHBRKT.BTM.	Bottom Bracket for Triangle Leg	YES	\$4
4	TMLD.24SP	Square metal leg Triangle Single Connect Plate, 24"	YES	\$63
	TMLD.30SP	Square metal leg Triangle Single Connect Plate, 30"	YES	\$77
5	TMLD.24DP	Square metal leg Triangle Double Connect Plate, 24"	YES	\$83
	TMLD.30DP	Square metal leg Triangle Double Connect Plate, 30"	YES	\$102
6	FIGL	Glide for Triangle leg	NO	\$3
7	SML.TML.H	Universal hardware package for Triangle leg/P leg, single/double - Cross counter head self tapping screws/M5*20, Cross counter head secrws/M5*15	YES	\$2

FRÍANT

Novo
Taper Leg
FHATPL.XX



No.	Part Number	Description	Finish Selection	LIST
1	FAAL-TAPER	Taper leg	YES	\$440
1.1	FAAL-TAPER.G	Glide M8x30	NO	\$2
	FAAL-TAPER.EG	Extended Glide M8x45	NO	\$3
2	FASB-24	Supporting Bar, 24"	YES	\$40
	FASB-30	Supporting Bar, 30"	YES	\$50
3	FHALSB-L/R	NOVO Bracket, PAIR	YES	\$14
4	FHAL.H	Universal hardware package for Taper/Inset leg, all depths Novo/Interra. Metal and wood screws. (6)M6X12 Hexagon socket button head screws (4) ST4.8*19 cross cuhead self tapping screws	NO	\$6



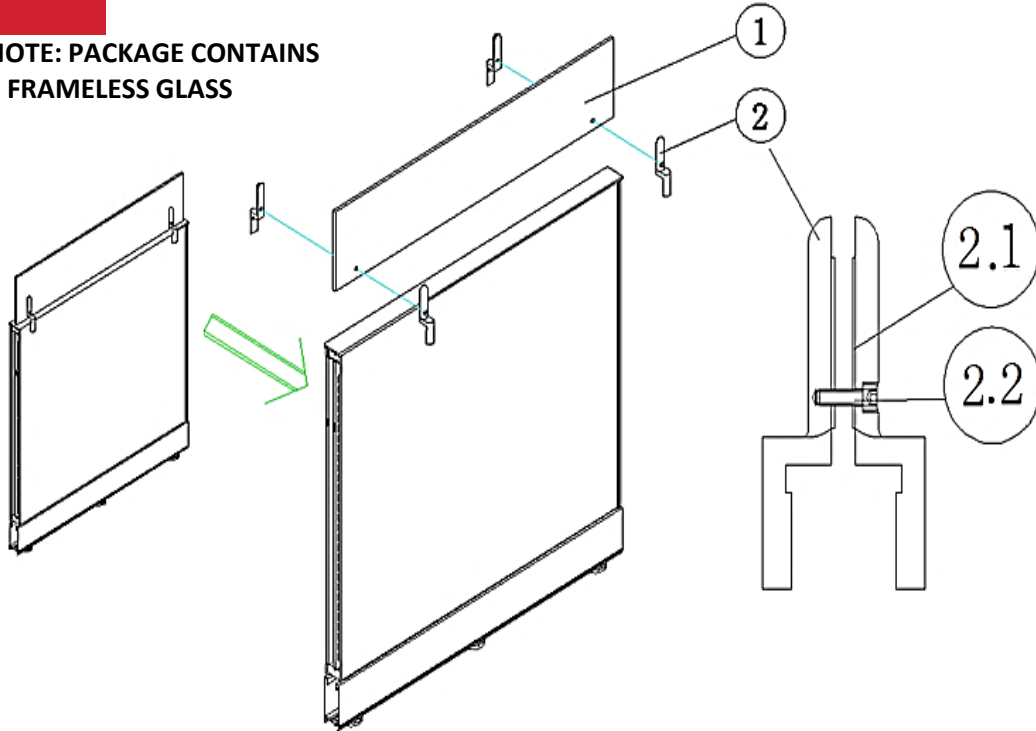
No.	Part Number	Description	Finish Selection	LIST
1	FAAL-INSET	Inset leg	YES	\$380
1.1	FAAL-INSET.G	Glide M8x30	NO	\$2
	FAAL-INSET.EG	Extended Glide M8x45	NO	\$3
2	FASB-24	Supporting bar 24"	YES	\$40
	FASB-30	Supporting bar 30"	YES	\$50
3	FHALSB-L/R	NOVO Bracket, PAIR	YES	\$14
4	FHAL.H	Universal hardware package for Taper/Inset leg, all depths Novo/Interra. Metal and wood screws. (6)M6X12 Hexagon socket button head screws (4) ST4.8*19 cross cuhead self tapping screws	NO	\$6

FRÍANT

Novo

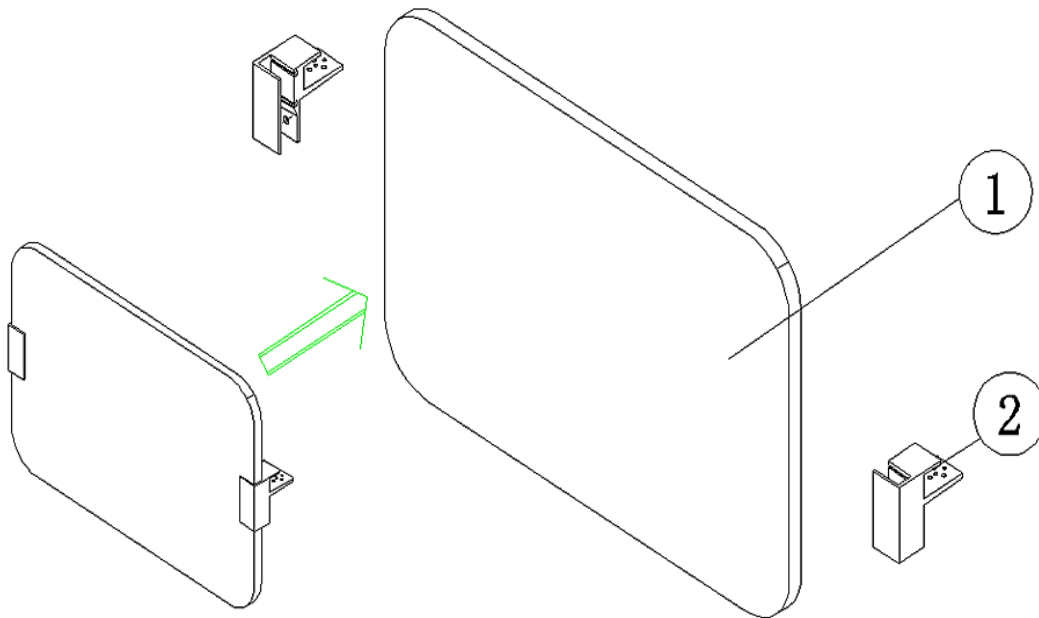
Frameless Glass
 F2FG.XXXX-CL
 F2FG.XXXX-FR

**NOTE: PACKAGE CONTAINS
 2 FRAMELESS GLASS**



No.	Part Number	Description	Finish Selection	LIST
1	FFG.0824-CL	Frameless Glass, 8x24" CLEAR	YES	\$65
	FFG.0830-CL	Frameless Glass, 8x30" CLEAR	YES	\$82
	FFG.0842-CL	Frameless Glass, 8x42" CLEAR	YES	\$115
	FFG.0848-CL	Frameless Glass, 8x48" CLEAR	YES	\$132
	FFG.0860-CL	Frameless Glass, 8x60" CLEAR	YES	\$165
	FFG.0866-CL	Frameless Glass, 8x66" CLEAR	YES	\$182
	FFG.0872-CL	Frameless Glass, 8x72" CLEAR	YES	\$197
1	FFG.1424-CL	Frameless Glass, 14x24 CLEAR	YES	\$117
	FFG.1430-CL	Frameless Glass, 14x30 CLEAR	YES	\$145
	FFG.1442-CL	Frameless Glass, 14x42 CLEAR	YES	\$198
	FFG.1448-CL	Frameless Glass, 14x48 CLEAR	YES	\$227
	FFG.1460-CL	Frameless Glass, 14x60 CLEAR	YES	\$280
	FFG.1466-CL	Frameless Glass, 14x66 CLEAR	YES	\$305
	FFG.1472-CL	Frameless Glass, 14x72 CLEAR	YES	\$330

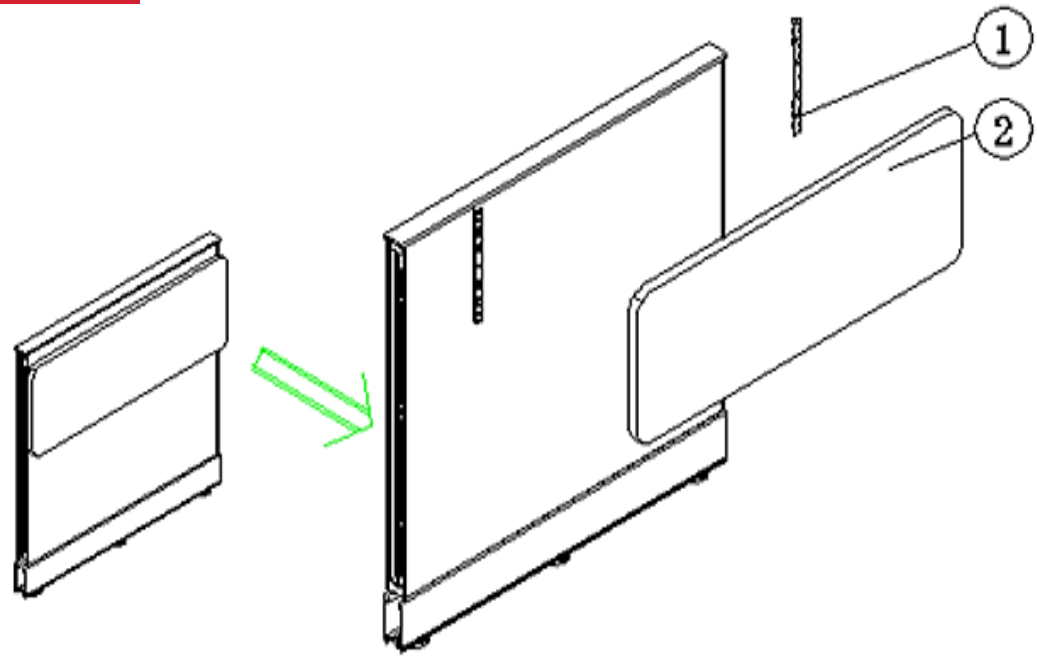
No.	Part Number	Description	Finish Selection	LIST
1	FFG.0824-FR	Frameless Glass, 8x24" FROSTED	YES	\$147
	FFG.0830-FR	Frameless Glass, 8x30" FROSTED	YES	\$185
	FFG.0842-FR	Frameless Glass, 8x42" FROSTED	YES	\$260
	FFG.0848-FR	Frameless Glass, 8x48" FROSTED	YES	\$298
	FFG.0860-FR	Frameless Glass, 8x60" FROSTED	YES	\$316
	FFG.0866-FR	Frameless Glass, 8x66" FROSTED	YES	\$330
	FFG.0872-FR	Frameless Glass, 8x72" FROSTED	YES	\$344
1	FFG.1424-FR	Frameless Glass, 14x24 FROSTED	YES	\$260
	FFG.1430-FR	Frameless Glass, 14x30 FROSTED	YES	\$324
	FFG.1442-FR	Frameless Glass, 14x42 FROSTED	YES	\$451
	FFG.1448-FR	Frameless Glass, 14x48 FROSTED	YES	\$517
	FFG.1460-FR	Frameless Glass, 14x60 FROSTED	YES	\$580
	FFG.1466-FR	Frameless Glass, 14x66 FROSTED	YES	\$636
	FFG.1472-FR	Frameless Glass, 14x72 FROSTED	YES	\$691
2	F2FGB	Frameless Glass Bracket	YES	\$144
2.1	F2FGB.PAD	Frameless glass pads	NO	\$2
2.2	F2FGB.BOLT	Frameless glass bolt M6*18	NO	



-Privacy Screen - with Wire Management Gap allows 1" gap at back of worksurface for cord/wire management.

-Privacy screen - FLUSH sits flush with the back of the worktop. Brackets are different

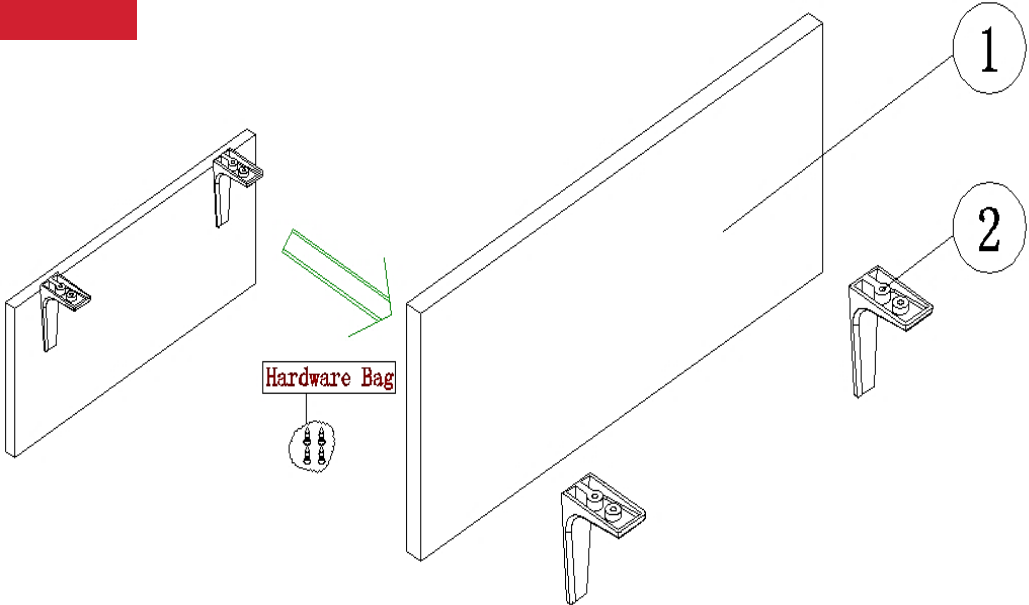
No.	Part Number	Description	Finish Selection	LIST
1	FATPS-34	Privacy Screen Single Piece Board, 24 x 34	YES	\$207
	FATPS-40	Privacy Screen Single Piece Board, 24 x 40	YES	\$239
	FATPS-46	Privacy Screen Single Piece Board, 24 x 46	YES	\$271
	FATPS-52	Privacy Screen Single Piece Board, 24 x 52	YES	\$303
	FATPS-58	Privacy Screen Single Piece Board, 24 x 58	YES	\$335
	FATPS-64	Privacy Screen Single Piece Board, 24 x 64	YES	\$367
2	FPSFLUSH-B	Privacy Screen Bracket, Flush (PAIR)	YES	\$100
2	FPSGAP-B	Privacy Screen Bracket, Gap (PAIR)	YES	\$99
3	FPS.H	Hardware Package for Privacy screen bracket (flush and gap)	NO	\$21



No.	Part Number	Description	Finish Selection	LIST
1	FASS09-1-BK	Shelf end bracket, full (PAIR)	NO	\$14
	FASS09-2-BK	Shelf end bracket, half (PAIR)	NO	\$11
2	TB-1524-2	System 2 tackboard blank, 15x24	NO	\$48
	TB-1530-2	System 2 tackboard blank, 15x30	NO	\$60
	TB-1536-2	System 2 tackboard blank, 15x36	NO	\$72
	TB-1542-2	System 2 tackboard blank, 15x42	NO	\$84
	TB-1548-2	System 2 tackboard blank, 15x48	NO	\$96
	TB-1560-2	System 2 tackboard blank, 15x60	NO	\$120
	TB-0824-2	System 2 tackboard blank, 08x24	NO	
	TB-0830-2	System 2 tackboard blank, 08x30	NO	
	TB-0836-2	System 2 tackboard blank, 08x36	NO	
	TB-0842-2	System 2 tackboard blank, 08x42	NO	
	TB-0848-2	System 2 tackboard blank, 08x48	NO	
	TB-0860-2	System 2 tackboard blank, 08x60	NO	



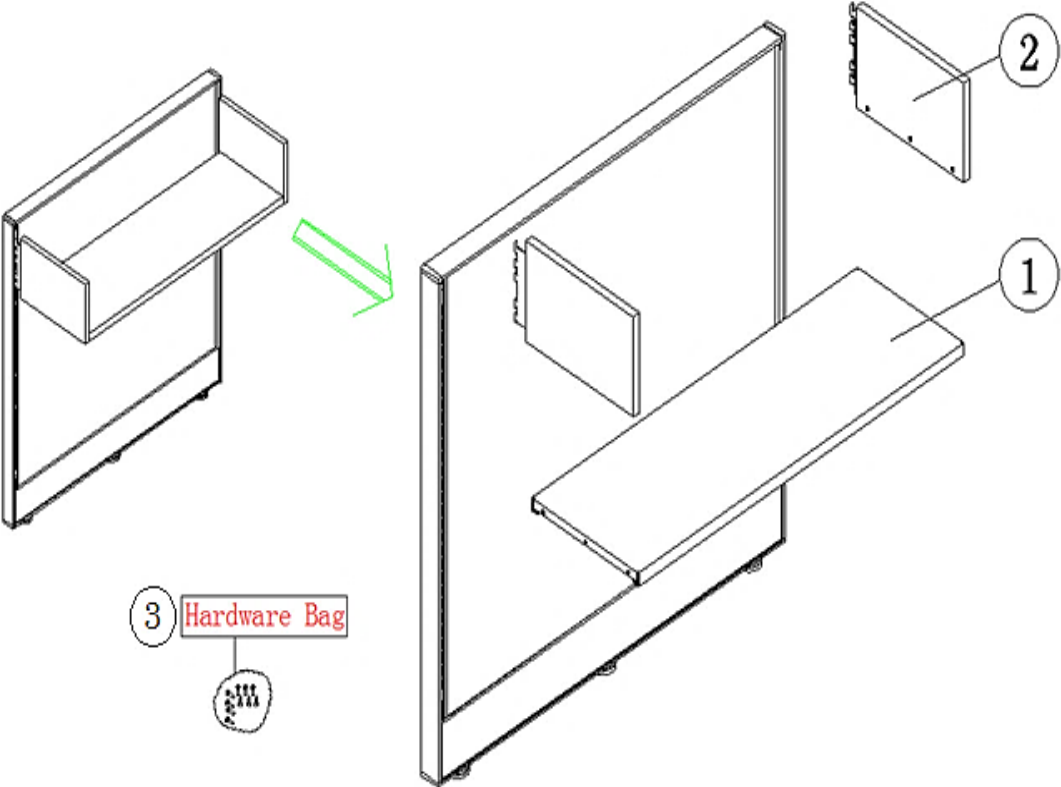
Novo
Modesty Panel, Laminate
FLMOD.XXXX



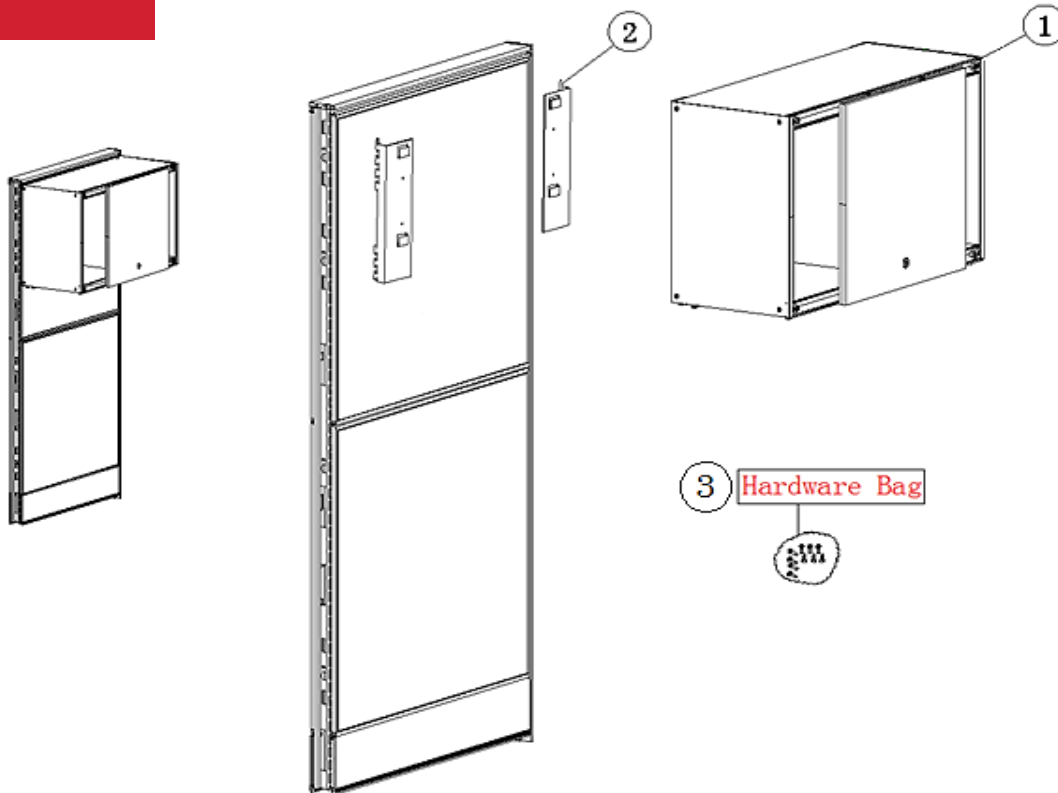
No.	Part Number	Description	Finish Selection	LIST
1	A-FLMOD.0836	Modesty panel, 08x36	YES	
	A-FLMOD.0842	Modesty panel, 08x42	YES	
	A-FLMOD.0848	Modesty panel, 08x48	YES	
	A-FLMOD.0854	Modesty panel, 08x54	YES	
	A-FLMOD.0860	Modesty panel, 08x60	YES	
	A-FLMOD.0866	Modesty panel, 08x66	YES	
	A-FLMOD.0872	Modesty panel, 08x72	YES	
	A-FLMOD.0884	Modesty panel, 08x84	YES	
	A-FLMOD.0896	Modesty panel, 08x96	YES	
1	A-FLMOD.1636	Modesty panel, 16x36	YES	
	A-FLMOD.1642	Modesty panel, 16x42	YES	
	A-FLMOD.1648	Modesty panel, 16x48	YES	
	A-FLMOD.1654	Modesty panel, 16x54	YES	
	A-FLMOD.1660	Modesty panel, 16x60	YES	
	A-FLMOD.1666	Modesty panel, 16x66	YES	
	A-FLMOD.1672	Modesty panel, 16x72	YES	
	A-FLMOD.1684	Modesty panel, 16x84	YES	
	A-FLMOD.1696	Modesty panel, 16x96	YES	
2	FMOD.BRKT	Modesty panel bracket (pair)	YES	\$55
3	FMOD.H	Hardware package for FMOD bracket pair (screws)	NO	\$2



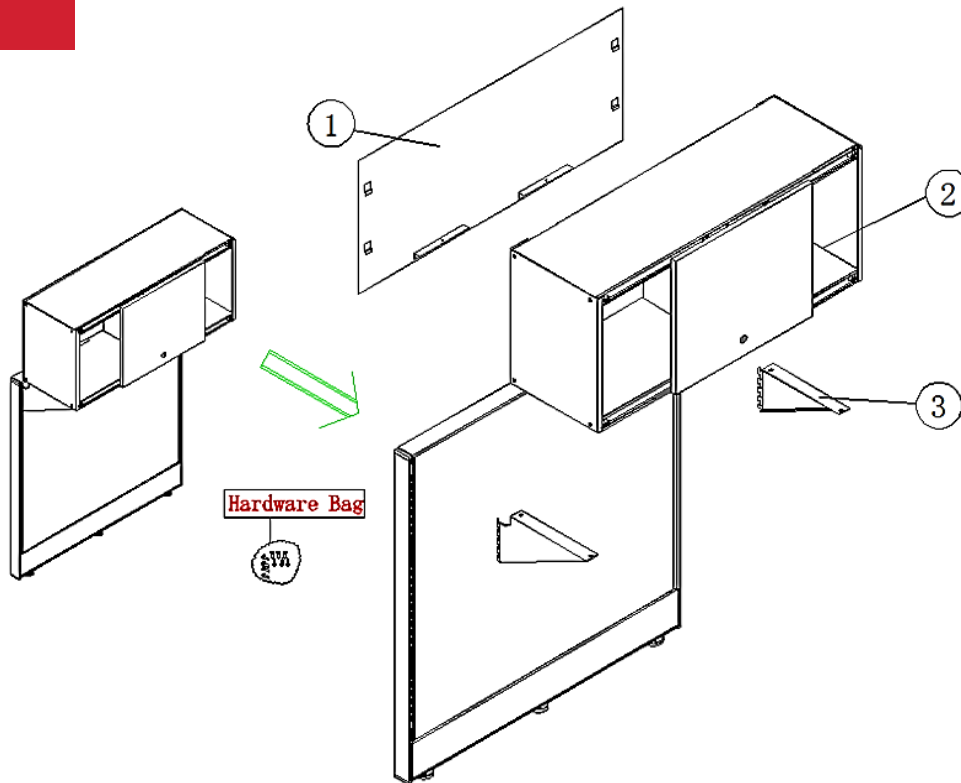
Novo
Straight Front Half Height Shelf
FHSHSH.XXXX



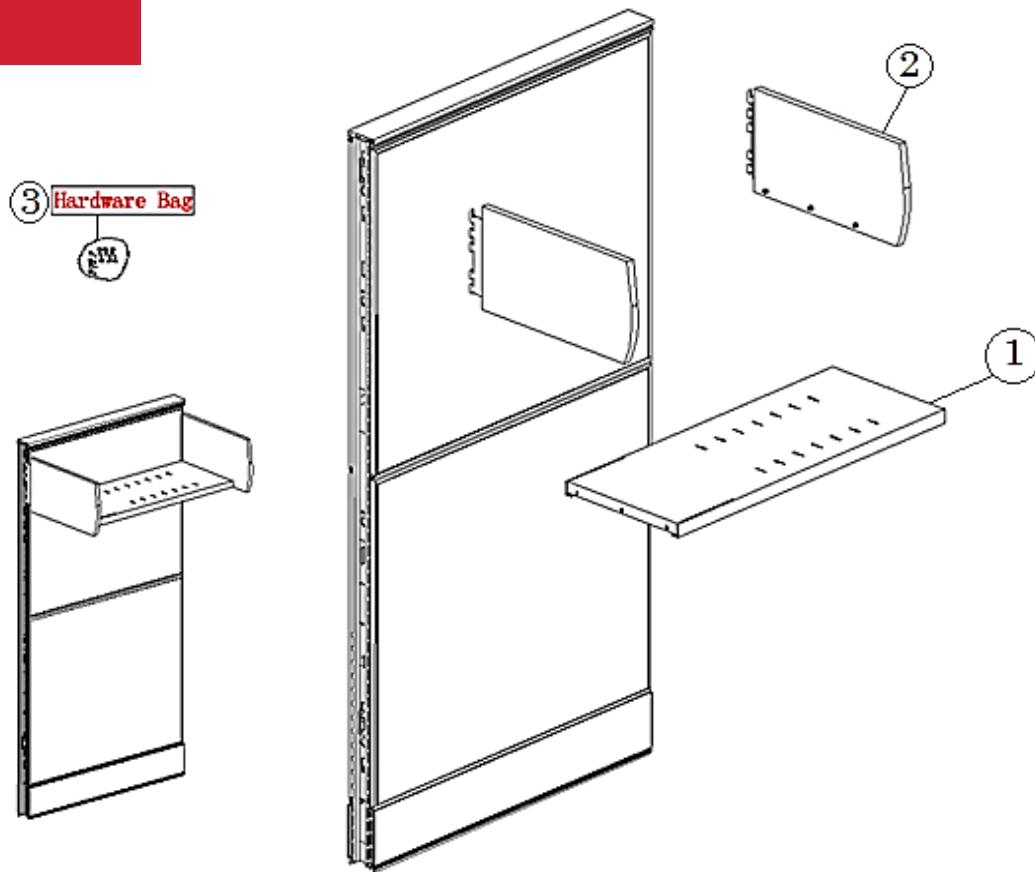
No.	Part Number	Description	Finish Selection	LIST
1	FSSH.24	Straight Front Shelf, 24"	YES	\$81
	FSSH.30	Straight Front Shelf, 30"	YES	\$95
	FSSH.36	Straight Front Shelf, 36"	YES	\$125
	FSSH.42	Straight Front Shelf, 42"	YES	\$123
	FSSH.48	Straight Front Shelf, 48"	YES	\$174
2	FHPSHENDHF	Straight front shelf end half height	YES	\$136
3	FHSHELF.H	Hardware package for half height shelves, novo/interra, pneumatic or straight	NO	\$1



No.	Part Number	Description	Finish Selection	LIST
1	FSLOV.1624	Sliding Door Overhead Cabinet, 16x24"	YES	\$603
	FSLOV.1630	Sliding Door Overhead Cabinet, 16x30"	YES	\$660
	FSLOV.1636	Sliding Door Overhead Cabinet, 16x36"	YES	\$719
	FSLOV.1642	Sliding Door Overhead Cabinet, 16x42"	YES	\$786
	FSLOV.1648	Sliding Door Overhead Cabinet, 16x48"	YES	\$850
2	FHSLOVB	Novo Sliding Overhead Brackets	YES	\$74
3	FSLOV.H	Hardware Bag for panel mounted sliding overhead, Cross pan head self-tapping screws/M4*10, Cross counter head self-tapping screws/M4*10, Rubber stoppers	NO	\$6

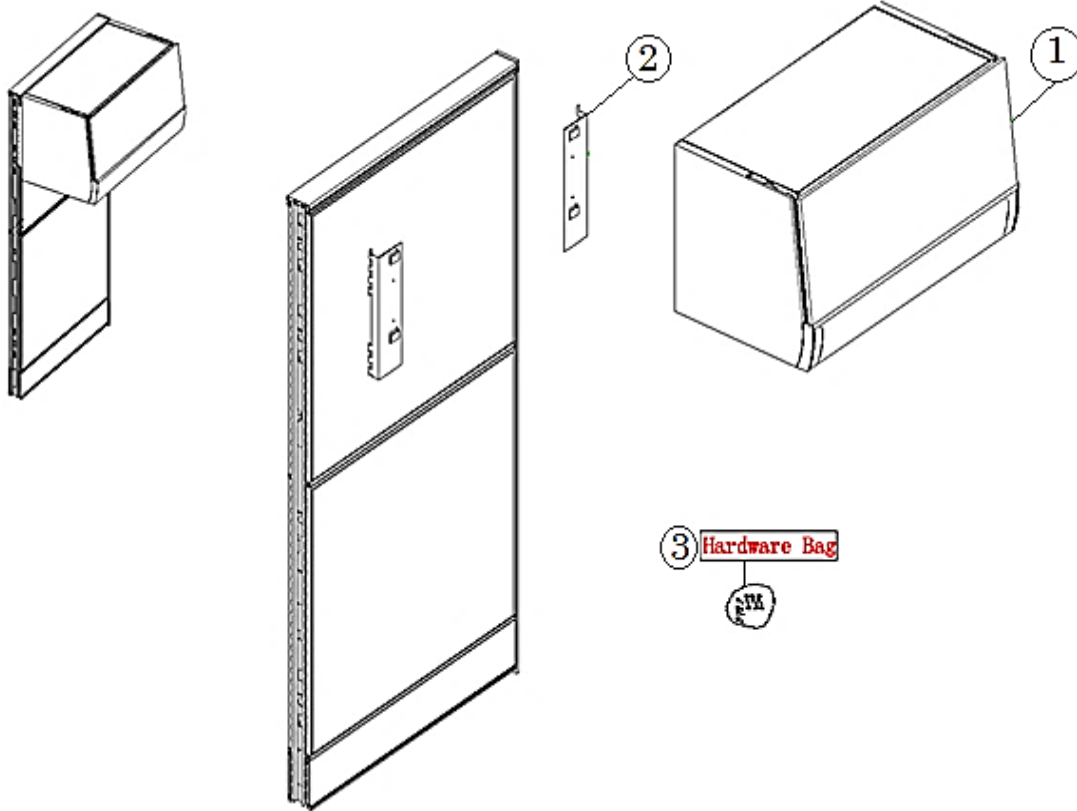


No.	Part Number	Description	Finish Selection	LIST
1	FSLOVUB.24	Sliding Door Overhead Back panel, 24"	YES	\$188
	FSLOVUB.30	Sliding Door Overhead Back panel, 30"	YES	\$213
	FSLOVUB.36	Sliding Door Overhead Back panel, 36"	YES	\$237
	FSLOVUB.42	Sliding Door Overhead Back panel, 42"	YES	\$263
	FSLOVUB.48	Sliding Door Overhead Back panel, 48"	YES	\$287
2	FSLOV.1624	Sliding Door Overhead, 16 x 24"	YES	\$603
	FSLOV.1630	Sliding Door Overhead, 16 x 30"	YES	\$660
	FSLOV.1636	Sliding Door Overhead, 16 x 36"	YES	\$719
	FSLOV.1642	Sliding Door Overhead, 16 x 42"	YES	\$786
	FSLOV.1648	Sliding Door Overhead, 16 x 48"	YES	\$850
3	FHSLOVUB	NOVO UPMOUNT SLIDING DOOR OVERHEAD BRACKETS	YES	\$74
4	FSLOV.H	Hardware Package for upmounted sliding overhead, Extender, Cross pan head self tapping screws/M5*12, Flange nut/M5	YES	\$4



No.	Part Number	Description	Finish Selection	LIST
1	FPSH.24	Radius Front Shelf, 24"	YES	\$162
	FPSH.30	Radius Front Shelf, 30"	YES	\$202
	FPSH.36	Radius Front Shelf, 36"	YES	\$241
	FPSH.42	Radius Front Shelf, 42"	YES	\$280
	FPSH.48	Radius Front Shelf, 48"	YES	\$320
2	FHPSHENDHF	Novo Radius Front Shelf End	YES	\$136
3	FHSHELF.H	Hardware package for half height shelves, novo/interra, pneumatic or straight	NO	\$1

Novo
Pneumatic Overhead Cabinet
FHPNOV.XXXX

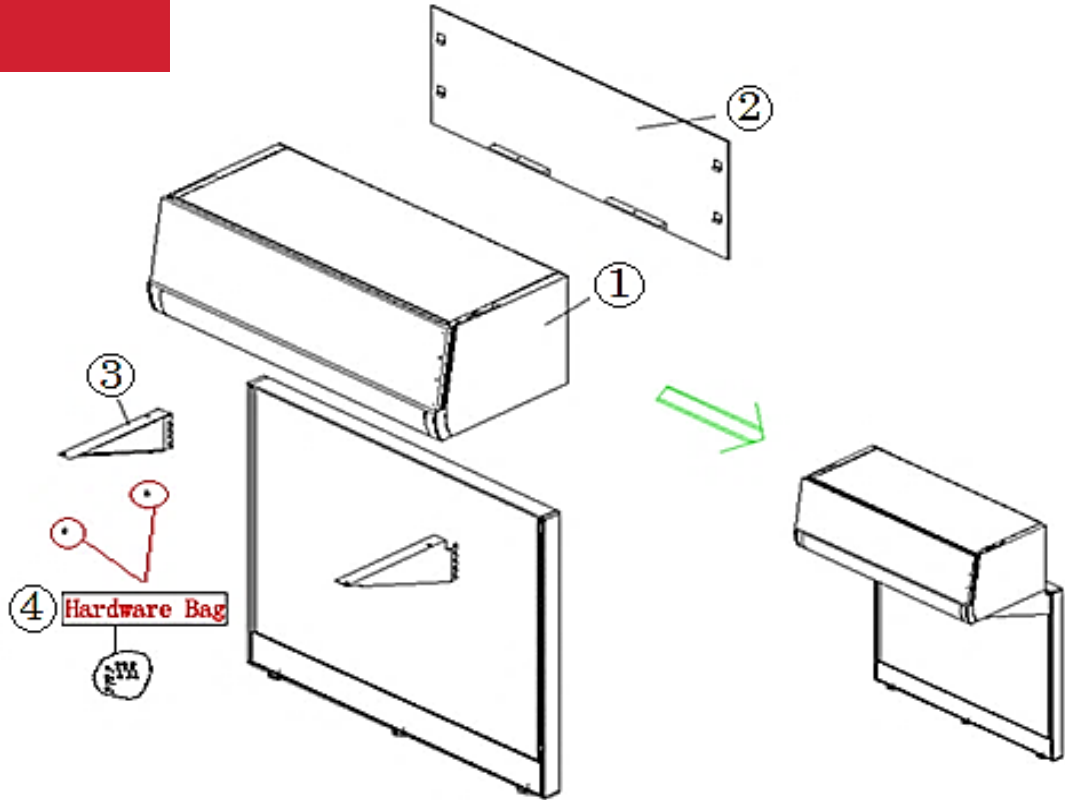


No.	Part Number	Description	Finish Selection	LIST
1	FPNOV.1624	Pneumatic Overhead Cabinet, 16x24"	YES	\$725
	FPNOV.1630	Pneumatic Overhead Cabinet, 16x30"	YES	\$792
	FPNOV.1636	Pneumatic Overhead Cabinet, 16x36"	YES	\$859
	FPNOV.1642	Pneumatic Overhead Cabinet, 16x42"	YES	\$921
	FPNOV.1648	Pneumatic Overhead Cabinet, 16x48"	YES	\$994
2	FHPNOVB	Novo Pneumatic Overhead Bracket (PAIR)	YES	\$41
3	FPNOV.H	Hardware Package for panel mounted pneumatic overhead, Novo/Interra. Includes screws.	NO	\$2

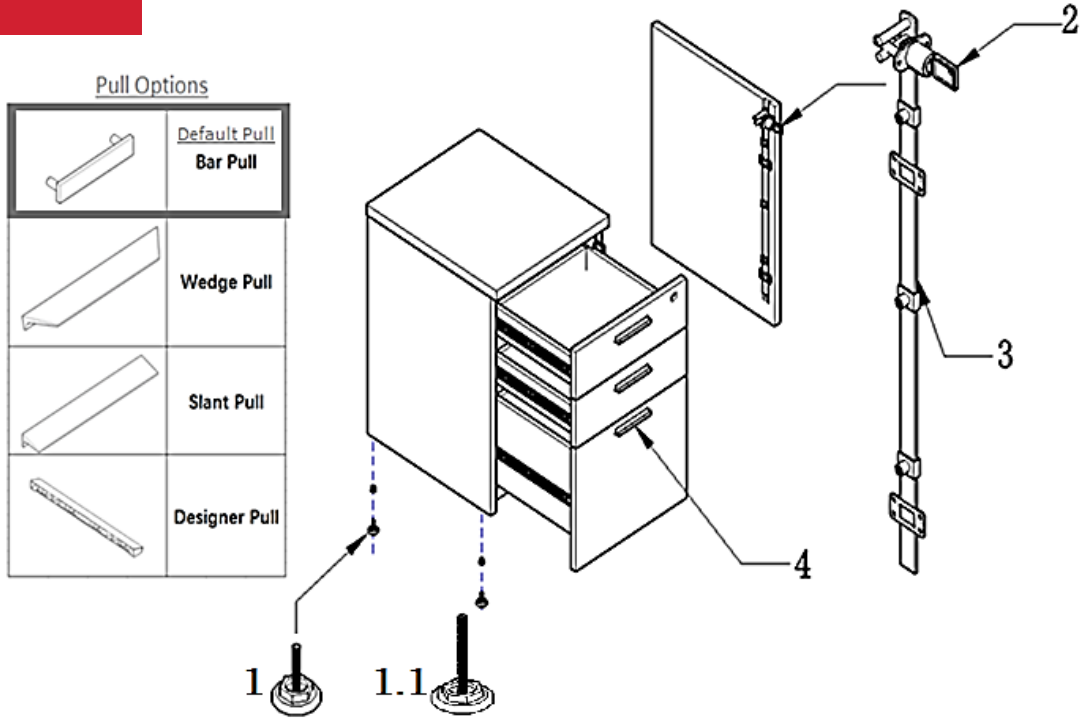


Novo

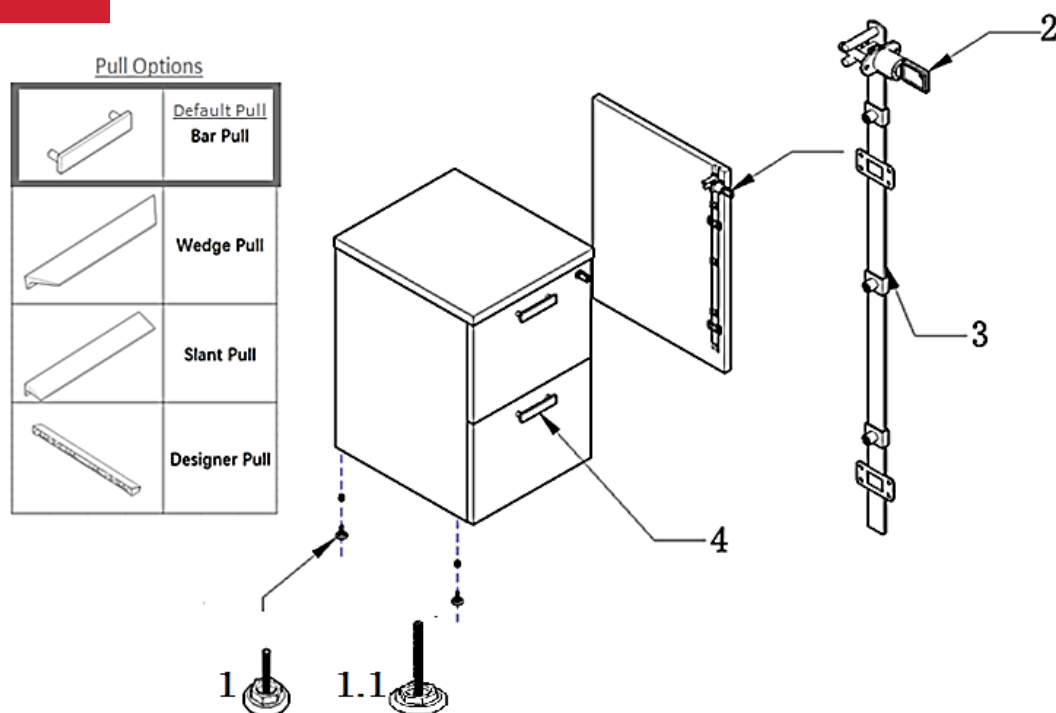
**Upmount Pneumatic Overhead Cabinet
FHPNOVU.XXXX**



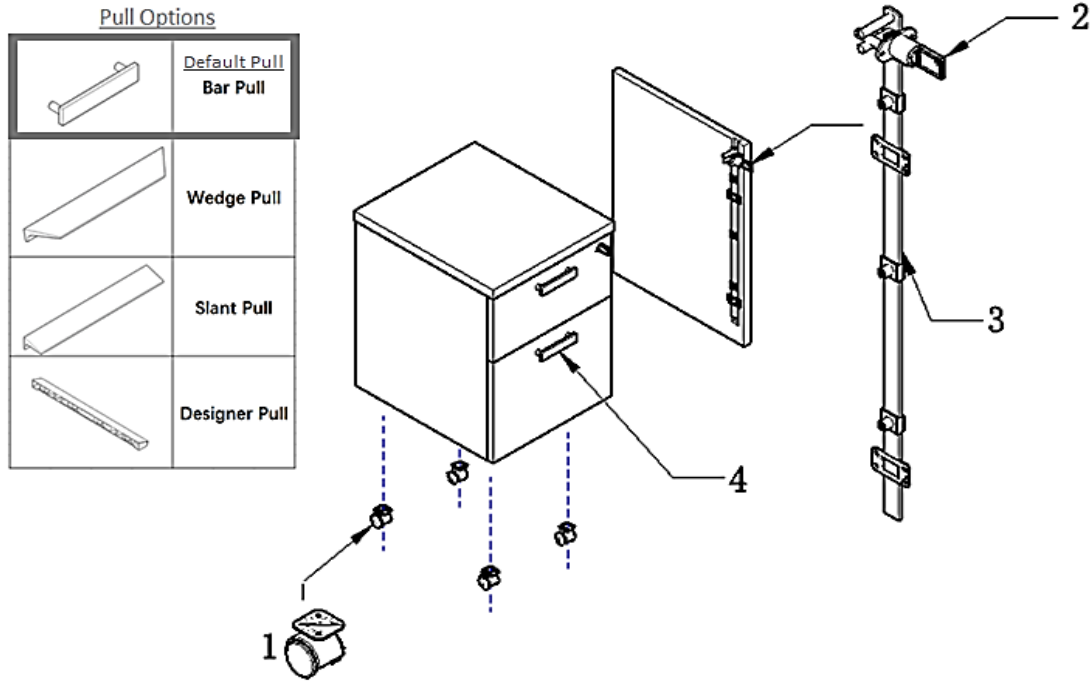
No.	Part Number	Description	Finish Selection	LIST
1	FPNOV.1624	PNEUMATIC OVERHEAD, 16 X 24	YES	\$725
	FPNOV.1630	PNEUMATIC OVERHEAD, 16 X 30	YES	\$792
	FPNOV.1636	PNEUMATIC OVERHEAD, 16 X 36	YES	\$859
	FPNOV.1642	PNEUMATIC OVERHEAD, 16 X 42	YES	\$921
	FPNOV.1648	PNEUMATIC OVERHEAD, 16 X 48	YES	\$994
2	FPNOVUB.24	Pneumatic Overhead Back panel, 24"	YES	\$208
	FPNOVUB.30	Pneumatic Overhead Back panel, 30"	YES	\$235
	FPNOVUB.36	Pneumatic Overhead Back panel, 36"	YES	\$266
	FPNOVUB.42	Pneumatic Overhead Back panel, 42"	YES	\$297
	FPNOVUB.48	Pneumatic Overhead Back panel, 48"	YES	\$248
3	FHPNOVUB	NOVO PNEUMATIC OVERHEAD UPMOUNT BRACKET (PAIR)	YES	\$83
4	FPNOVUB.H	Hardware Package for upmounted pneumatic overhead, Novo/Interra. Includes bolts	NO	\$0.40



No.	Part Number	Description	Finish Selection	List
1	FPEDSQ.G	Glide (Default)	NO	\$3
1.1	GLIDE.PED.EXTENDED	Extended Glide for Ped	NO	\$5
2	LOCK	Lock Core, Keyed Alike	NO	\$24
2.2	LOCK2	Lock Core, Keyed Separately	NO	\$24
2.3	MKEY	Master Key	NO	\$24
2.4	CKEY	Change Key (Control Key)	NO	\$24
3	PEDSQCL-BBF	Lockbar with CORE	NO	\$41
4	PEDPULL-10	Bar Pull (Default)	NO	\$15
	WEDGE-PULL-167	WEDGE PULL - FOR PED	NO	\$43
	SLANT-PULL-167	SLANT PULL - FOR PED	NO	\$36
	DESIGNER-PULL-250-RED/Green/Grey	Designer Pull	NO	\$30



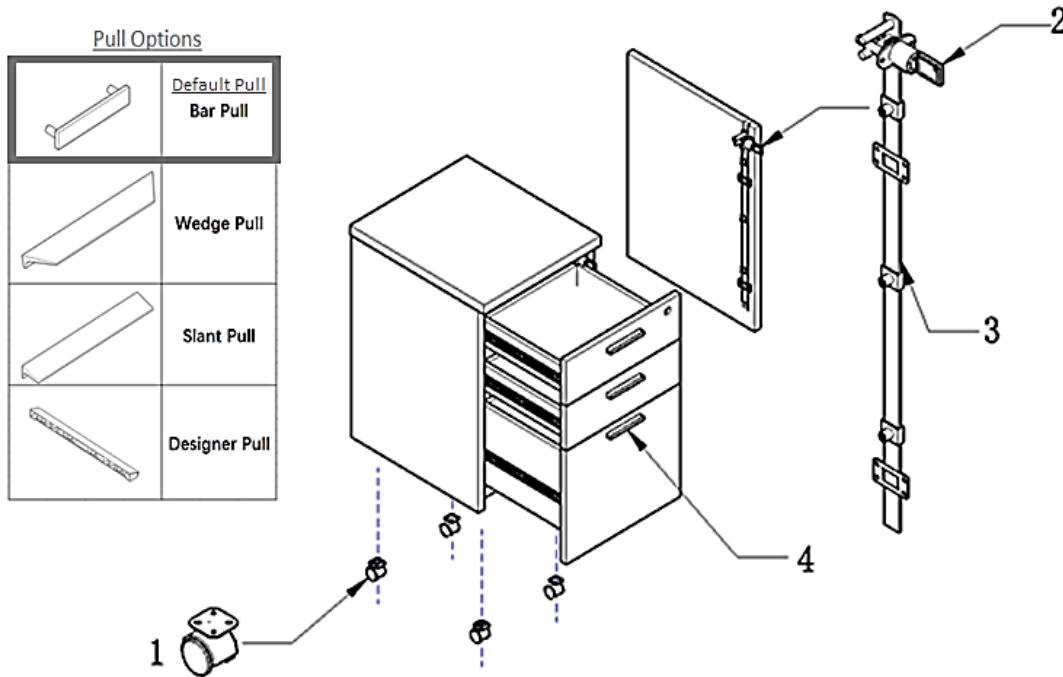
No.	Part Number	Description	Finish Selection	List
1	FPEDSQ.G	Glide (Default)	NO	\$3
1.1	GLIDE.PED.EXTENDED	Extended Glide for Ped	NO	\$5
2	LOCK	Lock Core, Keyed Alike	NO	\$24
2.2	LOCK2	Lock Core, Keyed Separately	NO	\$24
2.3	MKEY	Master Key	NO	\$24
2.4	CKEY	Change Key (Control Key)	NO	\$24
3	PEDSQCL-BBF	Lockbar with CORE	NO	\$41
4	PEDPULL-10	Bar Pull	NO	\$15
	WEDGE-PULL-167	WEDGE PULL - FOR PED	NO	\$43
	SLANT-PULL-167	SLANT PULL - FOR PED	NO	\$36
	DESIGNER-PULL-250-RED/Green/Grey	Designer Pull	NO	\$30



No.	Part Number	Description	Finish Selection	List
1	CASTER.PED-GREY/WHITE	Casters for Mobile Peds (Set of 4) Grey or White	NO	\$109 \$151
2	LOCK	Lock Core, Keyed Alike	NO	\$24
2.2	LOCK2	Lock Core, Keyed Separately	NO	\$24
2.3	MKEY	Master Key	NO	\$24
2.4	CKEY	Change Key (Control Key)	NO	\$24

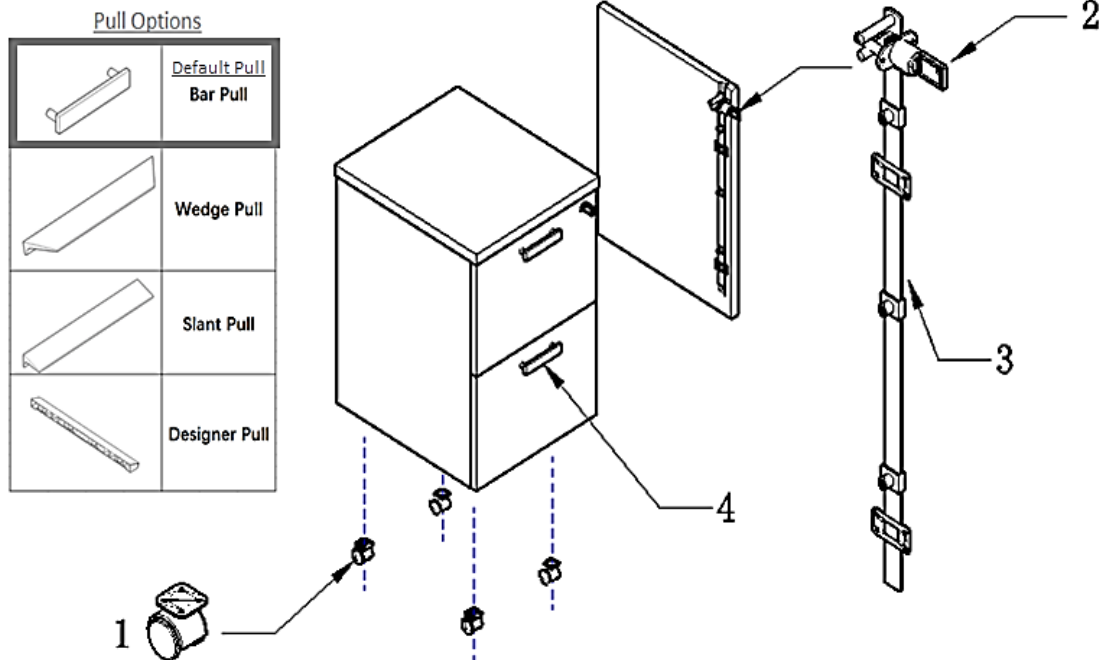
3	PEDSQCL-BF	Lockbar with CORE	NO	\$40
----------	------------	-------------------	----	------

4	PEDPULL-10	Bar Pull	NO	\$15
	WEDGE-PULL-167	WEDGE PULL - FOR PED	NO	\$43
	SLANT-PULL-167	SLANT PULL - FOR PED	NO	\$36
	DESIGNER-PULL-250-RED/Green/Grey	Designer Pull	NO	\$30



No.	Part Number	Description	Finish Selection	List
1	CASTER.PED-GREY	Casters for Mobile Peds (Set of 4) Grey	NO	\$109
1	CASTER.PED-WHITE	Casters for Mobile Peds (Set of 4) White	NO	\$151
2	LOCK	Lock Core, Keyed Alike	NO	\$24
2.2	LOCK2	Lock Core, Keyed Separately	NO	\$24
2.3	MKEY	Master Key	NO	\$24
2.4	CKEY	Change Key (Control Key)	NO	\$24
3	PEDSQCL-BBF	Lockbar with CORE	NO	\$41

4	PEDPULL-10	Bar Pull	NO	\$15
	WEDGE-PULL-167	WEDGE PULL - FOR PED	NO	\$43
	SLANT-PULL-167	SLANT PULL - FOR PED	NO	\$36
	DESIGNER-PULL-250- RED/Green/Grey	Designer Pull	NO	\$30

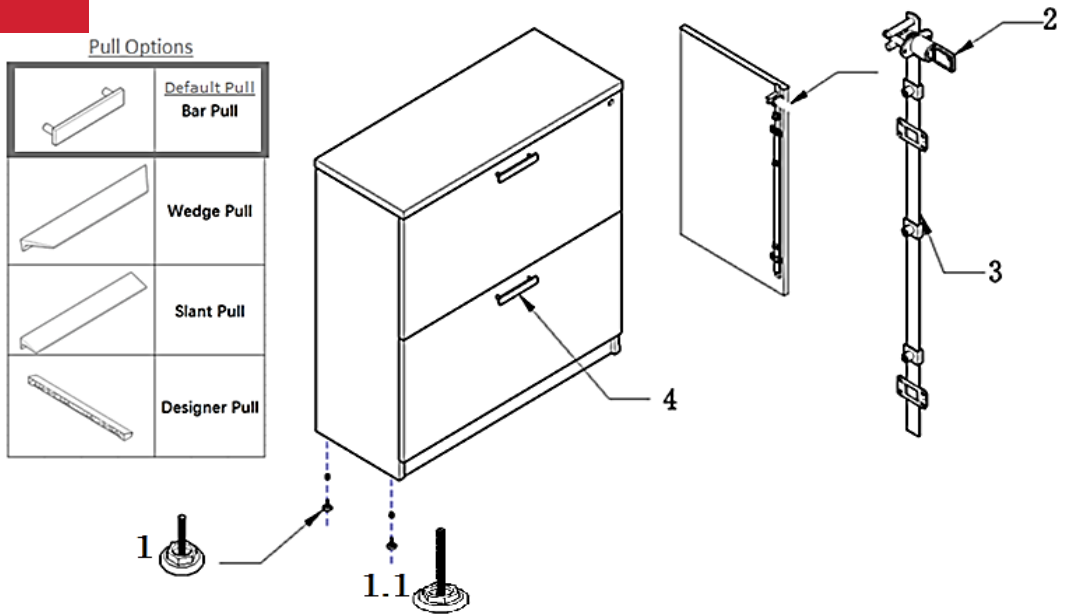


No.	Part Number	Description	Finish Selection	List
1	CASTER.PED-GREY	Casters for Mobile Peds (Set of 4) Grey	NO	\$109
1	CASTER.PED-WHITE	Casters for Mobile Peds (Set of 4) White	NO	\$151
2	CLOCK	Lock Core, Keyed Alike	NO	\$24
2.2	LOCK2	Lock Core, Keyed Separately	NO	\$24
2.3	MKEY	Master Key	NO	\$24
2.4	CKEY	Change Key (Control Key)	NO	\$24
3	PEDSQCL-BBF	Lockbar with CORE	NO	\$41

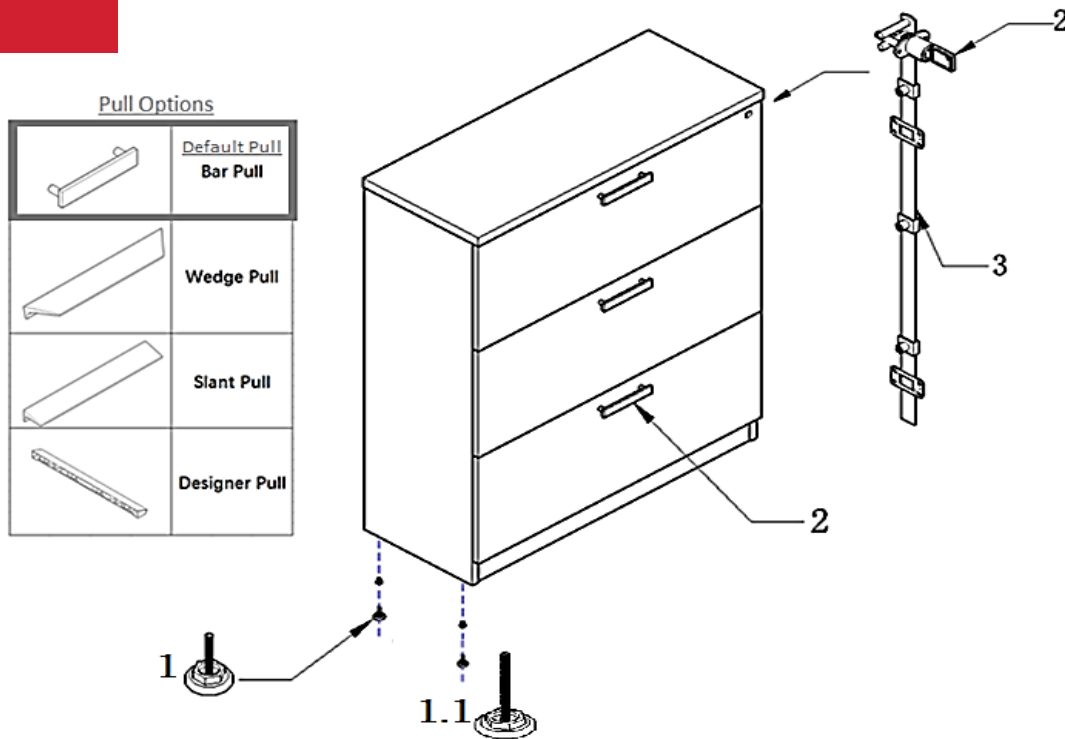
4	PEDPULL-10	Bar Pull	NO	\$15
	WEDGE-PULL-167	WEDGE PULL - FOR PED	NO	\$43
	SLANT-PULL-167	SLANT PULL - FOR PED	NO	\$36
	DESIGNER-PULL-250-RED/Green/Grey	Designer Pull	NO	\$30



Novo
2 Drawer Lateral File
FLLSQP-2-XX-MET



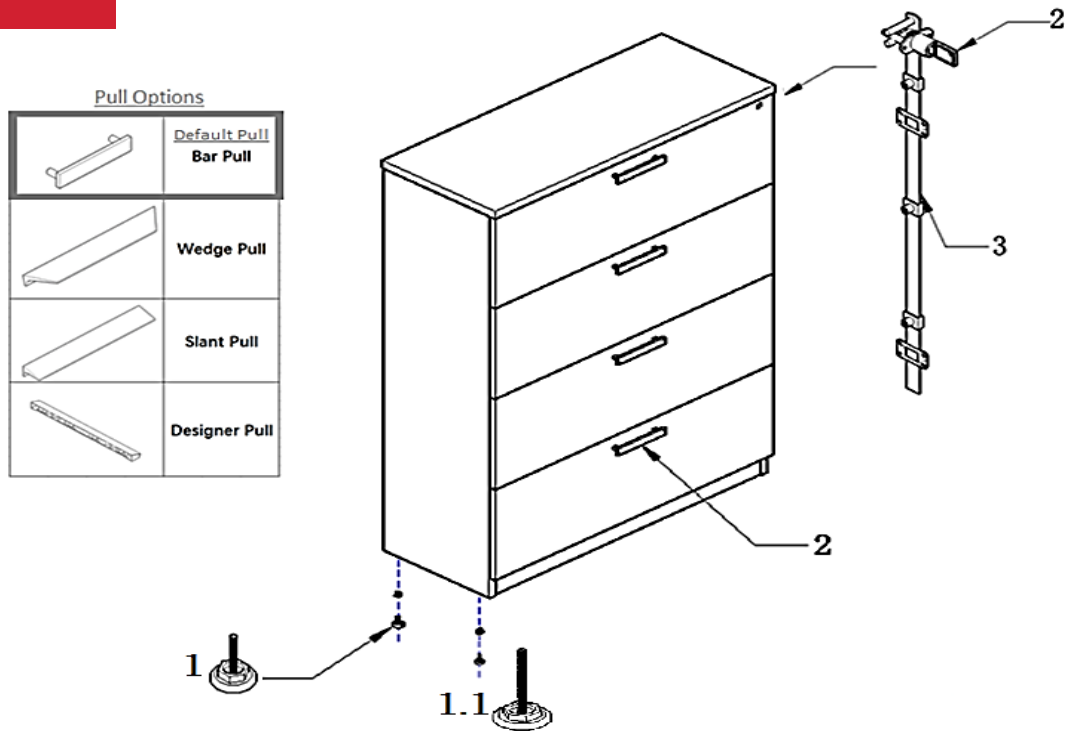
No.	Part Number	Description	Finish Selection	List
1	FPEDSQ.G	Glide (Default)	NO	\$3
1.1	GLIDE.PED.EXTENDED	Extended Glide for Ped	NO	\$5
2	LOCK	Lock Core, Keyed Alike	NO	\$24
2.2	LOCK2	Lock Core, Keyed Separately	NO	\$24
2.3	MKEY	Master Key	NO	\$24
2.4	CKEY	Change Key (Control Key)	NO	\$24
3	FLSQCL-2	Complete Lock mechanisms for 2-high lateral file	NO	\$59
4	LATPULL-50	Bar Pull	NO	\$19
	WEDGE-PULL-244	WEDGE PULL - FOR Lateral File	NO	\$53
	SLANT-PULL-199	SLANT PULL - FOR Lateral File	NO	\$43
	DESIGNER-PULL-250-RED/Green/Grey	Designer Pull	NO	\$30
5	LatCounterweight	Lateral File Counterweight	NO	\$96



No.	Part Number	Description	Finish Selection	List
1	FPEDSQ.G	Glide (Default)	NO	\$3
1.1	FLFEG.2D	Extended Glide, 2.5"	NO	\$7
2	LOCK	Lock Core, Keyed Alike	NO	\$24
2.2	LOCK2	Lock Core, Keyed Separately	NO	\$24
2.3	MKEY	Master Key	NO	\$24
2.4	CKEY	Change Key (Control Key)	NO	\$24
3	FLSQCL-3	Complete Lock mechanisms for 3 high lateral file	NO	\$59
4	LATPULL-50	Bar Pull	NO	\$19
	WEDGE-PULL-244	WEDGE PULL - FOR Lateral File	NO	\$53
	SLANT-PULL-199	SLANT PULL - FOR Lateral File	NO	\$43
	DESIGNER-PULL-250-RED/Green/Grey	Designer Pull	NO	\$30

Free-Standing 4-Drawer Lateral File with Top Cap

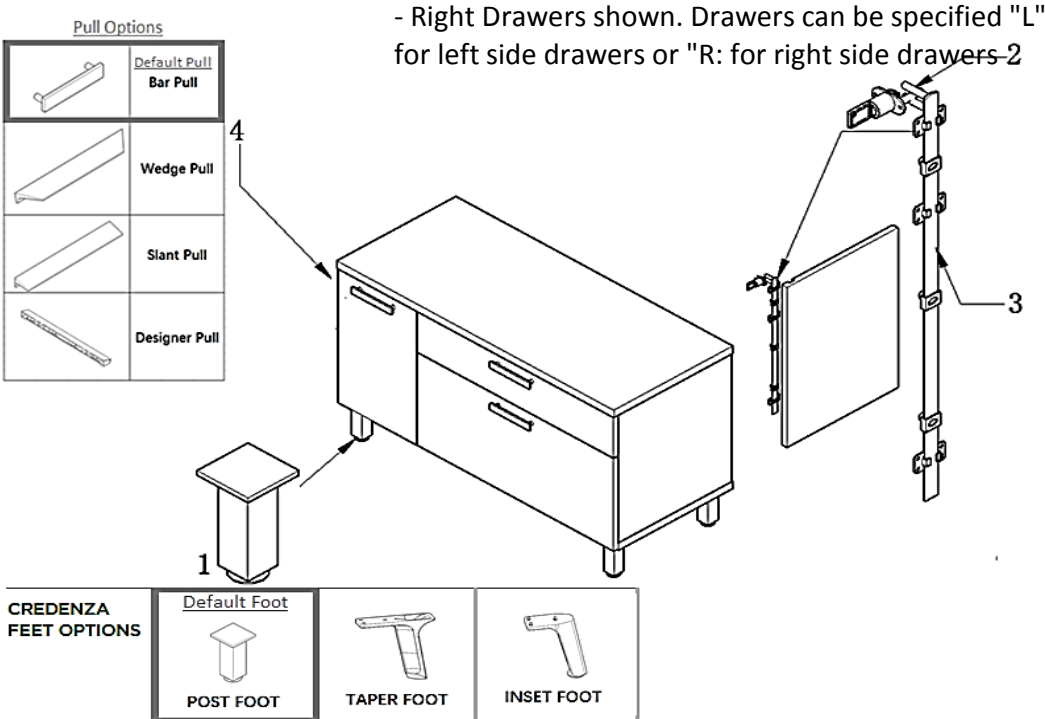
FLFSQP-4-XX-MET



No.	Part Number	Description	Finish Selection	List
1	FPEDSQ.G	Glide	NO	\$3
1.1	FLFEG.2D	Extended Glide, 2.5"	NO	\$7
2	LOCK	Lock Core, Keyed Alike	NO	\$24
2.1	LOCK2	Lock Core, Keyed Separately	NO	\$24
2.2	MKEY	Master Key	NO	\$24
2.3	CKEY	Change Key (Control Key)	NO	\$24
3	FLSQCL-4	Complete Lock mechanisms for 4 high lateral file	NO	\$60
4	LATPULL-50	Bar Pull	NO	\$19
	WEDGE-PULL-244	WEDGE PULL - FOR Lateral File	NO	\$53
	SLANT-PULL-199	SLANT PULL - FOR Lateral File	NO	\$43
	DESIGNER-PULL-250-RED/Green/Grey	Designer Pull	NO	\$30



Novo
Freestanding Credenza
FCREDSQAP.XXXXL/R



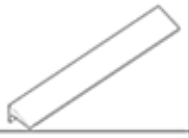



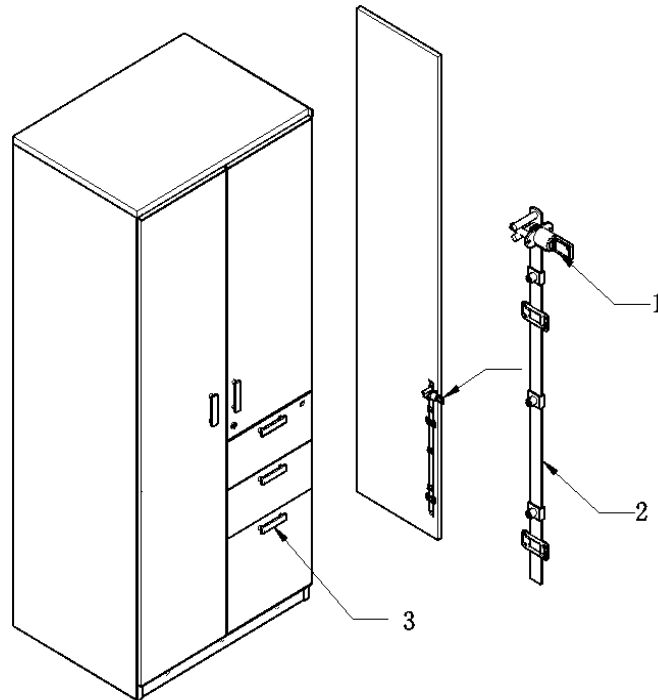
No.	Part Number	Description	Finish Selection	List
1	FCREDSQ.SquareFeet	Post Foot	YES	\$31
	FCREDLEG-TAPER	Taper Foot	YES	\$40
	FCREDLEG-INSET	Inset Foot	YES	\$44

2	LOCK	Lock Core, Keyed Alike	NO	\$24
2.1	LOCK2	Lock Core, Keyed Separately	NO	\$24
2.2	MKEY	Master Key	NO	\$24
2.3	CKEY	Change Key (Control Key)	NO	\$24

4	PEDPULL-10	Bar Pull	NO	\$19
	WEDGE-PULL-244	WEDGE PULL - FOR Lateral File	NO	\$53
	SLANT-PULL-199	SLANT PULL - FOR Lateral File	NO	\$43
	DESIGNER-PULL-250-RED/Green/Grey	Designer Pull	NO	\$30

Pull Options

	<u>Default Pull</u> Bar Pull
	Wedge Pull
	Slant Pull
	Designer Pull







No.	Part Number	Description	Finish Selection	List
1	LOCK	Lock Core, Keyed Alike	NO	\$24
1.1	LOCK2	Lock Core, Keyed Separately	NO	\$24
1.2	MKEY	Master Key	NO	\$24
1.3	CKEY	Change Key (Control Key)	NO	\$24

3	PEDPULL-10	Bar Pull	NO	\$19
	WEDGE-PULL-244	WEDGE PULL - FOR Lateral File	NO	\$53
	SLANT-PULL-199	SLANT PULL - FOR Lateral File	NO	\$43
	DESIGNER-PULL-250-RED/Green/Grey	Designer Pull	NO	\$30
4	FPEDSQ.G	STANDARD GLIDE	NO	\$3
4.1	FLFEG.2D	Extended Glide, 2.5"	NO	\$7

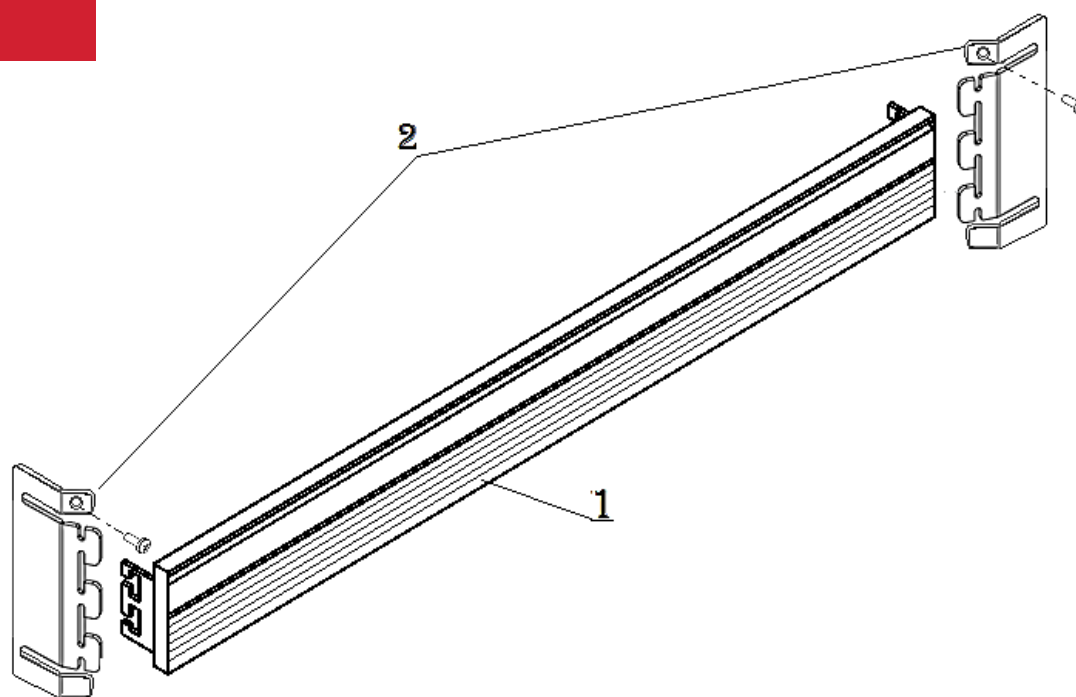
Metal Tower Replacements Parts

Part No.	Description	Finish Selection	List
FTBBFH-BD	Hinge for Tower Bookcase Door (over drawers)	Yes	\$23
FTBBFH-CD	Hinge for Tower Wardrobe Door (closet door) (ea)	Yes	\$23
FTBBF.2453L-BD FTBBF.2453R-BD	Bookcase door only for Tower, BBF 24x53 Left Bookcase door only for Tower, BBF 24x53 Right	Yes	\$77 \$77
FTBBF.2453L-WD	Wardrobe door only for Tower, BBF 24x53 Left	Yes	\$184
FTBBF.2453R-WD	Wardrobe door only for Tower, BBF 24x53 Right	Yes	\$184
FTBBF.2467L-BD	Bookcase door only for Tower, BBF 24x67 Left	Yes	\$111
FTBBF.2467L-WD	Wardrobe door only for Tower, BBF 24x67 Left	Yes	\$138
FTBBF.2467R-BD	Bookcase door only for Tower, BBF 24x67 Right	Yes	\$111
FTBBF.2467R-WD	Wardrobe door only for Tower, BBF 24x67 Right	Yes	\$138
FTBBFT	TOWER TOP ONLY (part is universal - used with both L or R)	Yes	\$109
LATSQFRONT30	Square Lateral 30" Drawer Front ONLY (ea)	Yes	\$127
LATSQFRONT36	Square Lateral 36" Drawer Front ONLY (ea)	Yes	\$150
LATSQFRONT42	Square Lateral 42" Drawer Front ONLY (ea)	Yes	\$169
PEDSQBOXFRONT	Square Pedestal Box Drawer Front ONLY (ea)	Yes	\$40
PEDSQFILEFRONT	Square Pedestal File Drawer Front ONLY (ea)	Yes	\$73

Pull Options

	<u>Default Pull</u> Bar Pull
	Wedge Pull
	Slant Pull
	Designer Pull

No.	Part Number	Description	Finish Selection	LIST
1	PEDPULL-10	Bar Pull	NO	\$15
	WEDGE-PULL-167	WEDGE PULL - FOR PED	NO	\$43
	SLANT-PULL-167	SLANT PULL - FOR PED	NO	\$36
	DESIGNER-PULL-250-RED/Green/Grey	Designer Pull	NO	\$30
2	LATPULL-50	Bar Pull	NO	\$19
	WEDGE-PULL-244	WEDGE PULL - FOR Lateral File	NO	\$53
	SLANT-PULL-199	SLANT PULL - FOR Lateral File	NO	\$43
	DESIGNER-PULL-250-RED/Green/Grey	Designer Pull	NO	\$30



No.	Part Number	Description	Finish Selection	LIST
1	TBR-24	Tool Bar, 24"	YES	\$100
	TBR-30	Tool Bar, 30"	YES	\$121
	TBR-36	Tool Bar, 36"	YES	\$142
	TBR-42	Tool Bar, 42"	YES	\$162
	TBR-48	Tool Bar, 48"	YES	\$183
2	TBRB	Systems Tool Bar Bracket (ONE)	YES	\$4