

# INTERRA

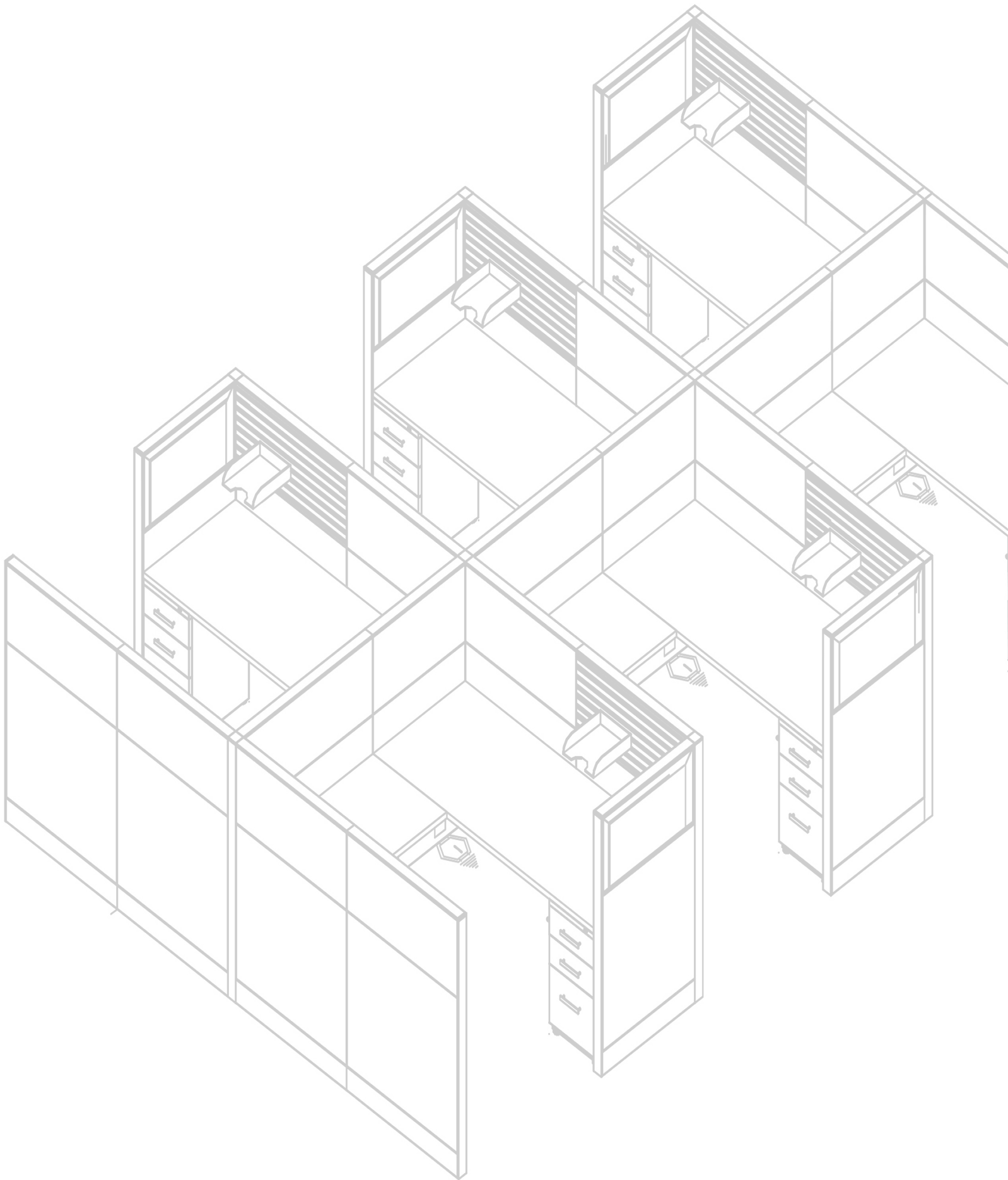
## PRICE BOOK



FRÍANT

ALL  
WORKSTYLES  
WELCOME









# TABLE OF CONTENTS

## INTRODUCTION

Terms and Conditions	6	Panel Creep and Knockout Location	22
Standard Fabrics	9	Festoons	23
Non-Std Fabrics & Tile Application	10	Door Swing Detail	25
Pattern Direction	11	Transaction Support	26
Standard Finishes	12	Power Distribution, Belt Line - Power Pole	27
Trim/End Panel/Tile Glazing	13	Power Distribution, Belt Line - Base Feed	28
Pull Options, Interra Storage	14	Placement of Markerboard Tile	29
Fixed and Mobile Pedestals	15	How to Specify My-Hite 2 Piece Extended	
Lateral Files and Freestanding Towers	16	Corners	30
Freestanding Laminate Credenza Units	17	Grommet Locations	32
Maximum Panel Run	18	Power Grommets	37
Glass Top Caps	20		
Data Port Plate	21		

## FRAMES

Non-Powered Frames A	38
Non-Powered Frames B	40
Powered Frames	41
Stacking Frames	45
Door Frames	46
Frames, no Top Cap	47

## CONNECTORS

Connectors	
Frame-To-Frame Package	54
2-Way 90° Connector	54
2-Way 120° connector	55
Wall strip	58
Tile adapter	58
Wall Start	59

## FINISHED ENDS

A/B Base Trim	60
Finished Ends	62

## TILES

Fabric Covered Tile	63
Tackable/Acoustical Tile	64
Beltline Fabric Tile	65
Window Tile	66
Open Tile	68
Perforated Metal Tile	69
Rail Tile	70
Markerboard Tile	71

## ELECTRICAL DISTRIBUTION

Electrical Distribution	72
Power Grommet	75

## WORKSURFACES

Rectangular	76
Rectangular Freestanding	78
90° Notched and Curved Corner	79
Half Circle	80
Quarter Round Top	81
120 ° Wedge Top	82
D-Shaped Peninsula	83
90° Extended Notched Corner	84
90° Extended Curved Corner	87
90° Extended Notched Corner	
Peninsula	90
Extended Curved Corner Peninsula	94
Ext. Curved Corner P-Shape Peninsula	98
Ellipse End Peninsula	100
Regular Asymmetrical	101
Wedge	102
120° Rectangular	103
120° Corner, 90° Ends	104
120° Corner, 120° Ends	105
135° Corner	106
135° Double Corner	107
Rectangular Transaction	108
Corner Transaction	109

## MY-HITE WORKSURFACES

Rectangular	110
Corner	111
90° Extended Curved Corner	112
Rectangular Extension	115
D-Shaped	116
Wedge	117
120° Corner / 90° Ends	118
120° Corner / 120° Ends	119

## WORKSURFACE SUPPORTS

Grommet	120
Flat Bracket, Mending Plate & Anti-Sag	
Bars	121
Supports	122

## COMPONENTS

Overheads and Shelves	126
Privacy Screen, Fabric	128
Privacy Screen, Marker Board	129
Privacy Screen, Laminate	130
Laminate Modesty panel	131
Frameless Glass	132
Top Cap with Glass	133
Led Tasklight	135
Wire Manager	135
Mesh Wire Manger	135
Pencil Drawer	135

## STORAGE

Pedestals	136
Lateral Files	138
Lateral File Tops	140
Freestanding Credenza Units	141
Freestanding Towers	144
Pulls	146

## ACCESSORIES

Desk Mounted Power Unit	147
Toolbars	147
Flat Paper Tray	147
Vertical Single Tray	147
Vertical Triple Tray	148
Carpet Gripper	148
Monitor Arms	148
Keyed-Alike Information	149

## Terms and Conditions

---

### PRICES

All Prices are F.O.B. point (Continental U.S.). We reserve the right to change prices without prior notice.

### ORDERING

Purchase Orders should be sent to Friant & Associates, LLC at [orders@friant.com](mailto:orders@friant.com), or faxed to (510) 535-6895. If your specifications were created with CAP, GIZA or Project Matrix, please send the worksheet (SP4) with your Purchase Order.

### TERMS

Net 30 days from date of invoice. Invoices are delinquent if not paid 30 days from date of invoice. In the event timely payment is not made, interest will be charged at the rate of 1.5% per month on delinquent accounts. Buyers will also be liable for normal collection costs and attorney's fee. 50% deposit is required with every order, unless prior arrangements have been made.

### ORDERS

Orders are only accepted by issuance of our formal acknowledgment, and are subject to the terms set forth herein and on our order acknowledgment. It is the responsibility of the buyer to review our acknowledgment for accuracy.

### LEAD TIME

Lead times are subject to availability.

### SHIPPING

Friant generally palletizes, boxes and/or shrink-wraps its products. If buyer requests additional packaging or special shipping, then it is responsible for any extra costs that result. Buyer obtains title to products and assumes the risk of loss for them upon shipment from Friant's plant.

### CLAIMS

We are not responsible for damage suffered in transit. Merchandise should be inspected for possible freight damage upon delivery. The consignee should file for damage or shortages with the carrier within 5 days of delivery. You are also protected for "concealed damage" if you file claim with the carrier within 5 days of delivery. Buyer must make all claims against Friant for defects, errors or shortages in writing within 10 days after delivery. Failure to make such a claim shall constitute full acceptance.

### RETURNS

No merchandise may be returned without our written consent and shipping instructions. Unauthorized returns will not be accepted and will be returned freight collect.

### PARTIAL SHIPMENTS

We will make every attempt to ship orders complete and on schedule. However, we reserve the right to make partial shipments, as merchandise is ready. Invoices covering these shipments are to be paid as they become due.

### ORDER CHANGE — CANCELLATIONS

Our order confirmation is final and binding. Any order change or cancellation is subject to our ability to conform. For the most up to date information, always review the order change/cancellation policy online. Allowable changes within the posted policy must be made in writing.

### SHIPMENT AND PREPAID FREIGHT

Unless otherwise instructed, we reserve the option to ship by what is, in our opinion, the best possible way. Upon request, we will prepay and add freight for accounts with established credit.

### DELIVERY

We are not liable for delay or failure of delivery due to strikes and/or differences with workmen, war, riot, fire, compliance with government regulations, acts of nature, failure or delays of sources of supply, or any other causes beyond our control.

### STORAGE

If buyer cannot accept delivery when merchandise is ready, we reserve the right to transfer goods to storage. Costs of transfer and storage will be charged to the buyer's account, and we will deem such transfer as constituting shipment for all purposes, including invoicing, as of the date the transfer is made.

## Terms and Conditions continued..

---

### CONSTRUCTION – SPECIFICATIONS

All items are produced to price list specifications unless otherwise advised. All dimensions shown are approximate. Manufacturer reserves the right to make modifications and/or improvements without prior notice.

### FABRIC APPLICATION

Standard fabric application for panels 67" and below is Non-Directional application. Panels taller than 67" are only available in Directional application. When ordering panels 67" and below to match a panel taller than 67", specify matching direction.

Please note: Certain product construction and sizes require fabric to be applied only Directionally or Non-Directionally.. See individual pricebook specifications for details.

Friant & Associates is not responsible for charges associated with replacement of products due to incorrect specifications.

### CUSTOMER'S OWN MATERIAL

Yardage requirement is based on 66" wide plain covering material, and must be increased if less than 66" wide. Special instructions for handling material (pattern, directional fabric, right side of reversible fabric, etc.) must be submitted in writing before fabric is delivered. In the absence of special instructions, we reserve the right to use our own judgment. We reserve the right to reject any covering, which in our opinion, is unsuitable for our upholstery purposes. However, in no instance shall we be held responsible for unsatisfactory results due to use of covering unsuitable for our upholstery methods.

We will not be responsible for errors caused by buyers not supplying us with sample cuttings attached to their order giving full identification of covering material, (name of supplier, covering name, number and color) for identification purposes and advising us of model number and quantity to which each cover is to be applied.

Customer's own material that is shipped freight collect will be refused. A service charge will be applied for the return of unusable C.O.M. Contact factory.

### RIGHTS AND WARRANTIES – LIMITED LIFETIME WARRANTY

This warranty is given to the initial purchaser and is valid from the date of purchase, for as long as the initial purchaser owns the product. This warranty covers defects in material and craftsmanship found during normal usage of the product during the warranty period. Normal usage is defined by 8 hour shifts in the product's intended application and in an indoor environment that conforms to the ANSI/ASHRAE Standard 55: Thermal Environmental Conditions for Human Occupancy (relating to air temperature, mean radiant temperature, air velocity, clothing insulation, metabolic rate, and humidity). Friant's warranty does not cover usage other than normal usage as defined in the previous sentence. If the product is defective, and if written notice of the defect is given to Friant & Associates within the applicable warranty period, Friant & Associates, at its option, will either repair or replace the defective product with a comparable component or product. This warranty applies to all products except as noted below.

High wear parts, such as wood veneer, fabrics, laminates, and other covering material/finishes, foam, glides, etc. are warranted for one (1) year. This warranty does not apply to damage caused by a carrier, alteration to the product not expressly authorized by Friant & Associates, nor to product considered to be of a consumable nature such as bulbs, light ballasts, etc. It also does not apply to "Customer's Own Material" (i.e. material specified by the customer that is not a standard Friant & Associates offering) used in the manufacture of Friant & Associates products.

Our warranty for LED lights is 2 years.

Friant & Associates does not warrant the matching of colors, grain or texture, except to within commercially acceptable standards. This includes normal variations between dye lots (fabrics).

A product will not be considered defective, and Friant & Associates will not be obligated to replace it, if it is not installed in a proper manner (i.e. product not leveled, not secured properly, etc.) or if it is not used in a manner and/or in an environment that constitutes normal usage, as defined above.

Except as noted above, Friant & Associates makes no express or implied warranties to any product, and in particular makes no warranty of fitness for any particular use. At Friant & Associates' option, product repair and replacement is the customer's exclusive remedy for any and all product defects.

Friant & Associates shall not be liable for consequential, economic, or incidental damages arising from any product defect.

## Terms and Conditions continued..

---

**CALIFORNIA PROP 65 WARNING**

Products in this catalog can expose you to chemicals including wood dust, which is known to the State of California to cause cancer or birth defects or other reproductive harm. For more information go to <https://www.p65warnings.ca.gov/products/furniture-products>.”

**CARB**

Friant products are CARB 93120 compliant for formaldehyde (phase 2)

**TSCA TITLE VI**

Friant products are TSCA Title VI Compliant

**MAS**

Accredited Compliance Designation - ANSI/BIFMA x7.1 & e3-2014 7.6.1, 7.6.2, 7.6.3

California Dept. Of Public Health Standard Method v1.2

Conforms With: LEED v4

Criteria of MAS Certified Green ® Program



## Standard Fabrics

JOURNEY		TERRAIN		SLIDE		SILKY		SKY	
PF801-1	Quest	PF701-1	Cloud	PF101-1	Caramel	PF401-1	Natural	PF301-1	Terra
PF801-2	Voyage	PF701-2	Dusk	PF101-2	Slate	PF401-2	Parids	PF301-2	Birch
PF801-3	Transit	PF701-3	Wave	PF101-3	Pewter	PF401-3	Overcast	PF301-3	Moss
PF801-4	Amble	PF701-4	Earth	PF101-7	Java	PF401-5	Graphite		
PF801-5	Odyssey			PF101-9	Sterling				
PF801-6	Caravan			PF101-10	Crema				
PF801-7	Expedition			PF101-13	Mustard				
PF801-8	Wayfare			PF101-14	Avocado				
				PF101-15	Pumpkin				
				PF101-16	Ocean				
				PF101-17	Blueberry				
				PF101-18	Cardinal				
				PF101-19	Flamingo				
				PF101-20	Serenity				
				PF101-21	Azure				
				PF101-22	Orchid				
				PF101-23	Plum				
				PF101-24	Raven				

LIMITED AVAILABILITY							
SLIDE		SILKY		STICKS		PASSAGE	
PF101-4	Verde	PF401-4	Field	PF501-3	Sage	PF601-1	Gull
PF101-6	Vintage			PF501-4	Straw	PF601-2	Grove
PF101-8	Latte					PF601-3	Wing
PF101-12	Stem					PF601-4	Quartz
						PF601-5	Leaf
						PF601-6	Brook
						PF601-7	Trail
						PF601-8	Amber

**Fabric is scheduled for discontinuation when inventory is exhausted. Please contact Customer Service for current stock levels. After discontinuation fabric will be available with extended lead time, subject to minimum yardage requirements.**

**NOTES:**

- Passage and Terrain are not available on acoustical panels, pedestal cushions, tackboards or fabric screens.
- Please refer to the Fabric Direction Section in the Materials Reference Guide on the Dealer Resource Center for more details. <http://dealers.friant.com/dealers/product-literature/>
- **When ordering panels 67” and below to match an 85”H panel, specify matching direction.**
- Order fabric / finish sample online at [www.friant.com](http://www.friant.com)
- Colors may vary slightly between dye lots.

## Non-Standard Fabrics & Tile Application

### CUSTOMER'S OWN MATERIAL

Yardage requirement is based on 66" wide plain covering material, and must be increased if less than 66" wide. Special instructions for handling material (pattern, directional fabric, right side of reversible fabric, etc.) must be submitted in writing before fabric is delivered. In the absence of special instructions, we reserve the right to use our own judgment. We reserve the right to reject any covering, which in our opinion, is unsuitable for our upholstery purposes. However, in no instance shall we be held responsible for unsatisfactory results due to use of covering unsuitable for our upholstery methods.

We will not be responsible for errors caused by buyers not supplying us with sample cuttings attached to their order giving full identification of covering material, (name of supplier, covering name, number and color) for identification purposes and advising us of model number and quantity to which each cover is to be applied.

Customer's own material that is shipped freight collect will be refused. A service charge will be applied for the return of unusable C.O.M. Contact factory.

**NOTE:** Order fabric/ finish samples online at [www.friant.com](http://www.friant.com)

### GRADED IN PROGRAM

Additional fabrics are available for an upcharge of 30% of standard net. Additional discounting does not apply to upcharge. Please see below for more details. Any fabrics not listed below (including Guilford and Burch not on the list) must be COM.

#### Burch

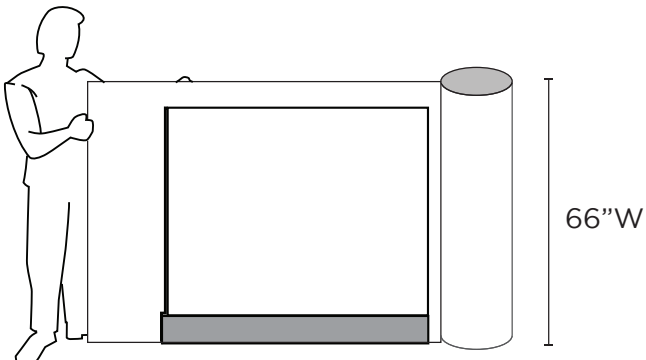
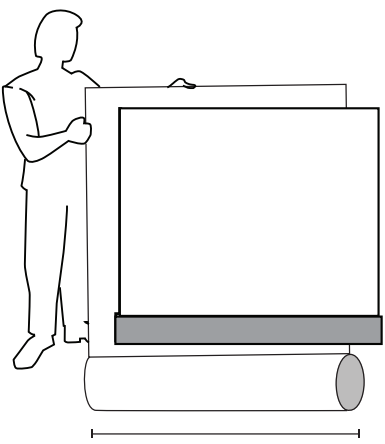
- Chain Link (6 colors) <https://burchfabrics.com/panel/chain-link/charcoal>
- Columbus (7 colors) <https://burchfabrics.com/panel/columbus/straw>
- Comet (4 colors) <https://burchfabrics.com/panel/comet/taupe>
- Fine Point (6 colors) <https://burchfabrics.com/panel/fine-point/vertex>
- Foundation (6 colors) <https://burchfabrics.com/panel/foundation/seagull>
- Glade (4 colors) <https://burchfabrics.com/panel/glade/field>
- Starburst (8 colors) <https://burchfabrics.com/panel/starburst/whitecap>
- Traction (6 colors) <https://burchfabrics.com/panel/traction/greystone>
- Trail (8 colors) <https://burchfabrics.com/panel/trail/rose-tan>

#### Guilford

- Anchorage 2335 - except cushions/see below (38 colors) <https://www.guilfordofmaine.com/patterns/2335-2334>  
Cushion Version is Open House 2334 (38 colors that are exact matches to Anchorage) same link as above applies
- Auster (4 colors) <https://www.guilfordofmaine.com/patterns/2537>
- Bailey (2299 for panels - 9985 for cushions)  
2299 (9 colors) <https://www.guilfordofmaine.com/patterns/2299>
- Coastline (9 colors) <https://www.guilfordofmaine.com/patterns/3495>
- Crosstown (11 colors) <https://www.guilfordofmaine.com/patterns/2526>
- Drift (8 colors) <https://www.guilfordofmaine.com/patterns/2539>
- Groove (8 colors) <https://www.guilfordofmaine.com/patterns/3497>
- Meander (8 colors) <https://www.guilfordofmaine.com/patterns/2660>
- Metallation (10 colors) <https://www.guilfordofmaine.com/patterns/5118>
- Otto (9 colors) <https://www.guilfordofmaine.com/patterns/2670>
- Phone Tag (4 colors) <https://www.guilfordofmaine.com/patterns/2314>
- Spinel (15 colors) <https://www.guilfordofmaine.com/patterns/3582>
- Streetwise (14 colors) <https://www.guilfordofmaine.com/patterns/2721>
- Tempest (11 colors) <https://www.guilfordofmaine.com/patterns/2120>

## Pattern Direction

- Fabric direction is not always determined by the way the pattern is shown on memo sample.
- Certain product construction and sizes require fabric to be applied only Directionally or Non-Directionally.
- Some products have fabric applied either Directionally or Non-Directionally. (Upcharges may apply on some products, see price books for details).
- Please refer to our **Materials Reference Guide** on the Dealer Resource Center for specific pattern application defaults on all of our products : <http://dealers.friant.com/dealers/product-literature/>
- Our Customer Service Team is happy to answer any questions regarding fabric direction.

Non - Directional Application Shown	Directional Application Shown
 <p>66"W</p>	 <p>66" W</p>

## Standard Finishes- Laminate & PVC

Use the matrix below to identify worksurface, hardpanel and edge finish options. **Please note**, M1-M13 offer close matching finishes, while M14-M29 are paired as color matched finishes.

WORKSURFACE FINISHES		HARDSURFACE PANEL FINISHES		SUPPLIER	EDGE FINISHES (3MM PVC)	
M1	Light Maple	7909-60	Fusion Maple	Wilsonart	E1	Light Maple
M2	Light Cherry	7054-60	Wild Cherry	Wilsonart	E2	Light Cherry
M3	Medium Cherry	7924K-70	Biltmore Cherry	Wilsonart	E3	Medium Cherry
M4	Dark Mahogany	7040K-78	Figured Mahogany	Wilsonart	E4	Dark Mahogany
M5	Light Mahogany	7039K-78	Windsor Mahogany	Wilsonart	E5	Light Mahogany
M6	Light Gray	D327-60	Pepperdust	Wilsonart	E6	Light Gray
M7	Off White	1572-60	Antique White	Wilsonart	E7	Off White
M8	Gray Specks	4621-60	White Nebula	Wilsonart	*See additional edge finishes below	
M9	Cloud White	1573-60	Frosty White	Wilsonart	E9	Cloud White
M10	Espresso	7933K-07	Cafelle	Wilsonart	E10	Espresso
M11	Light Walnut	7937-60	River Cherry	Wilsonart	E14	Light Walnut
M12	Medium Walnut	7965K-12	Walnut Heights	Wilsonart	E15	Medium Walnut
M13	Licorice	FB3920	Licorice Groovz	Wilsonart	E13	Licorice
M14	Carob	FB3560	Driftwood	Arauco	E17	Carob
M15	Mousse	FB2960	Mochatini	Arauco	E18	Mousse
M16	Tundra	FB3930	Concrete Groovz	Arauco	E19	Tundra
M17	Cocoa	FB2990	Nirvana	Arauco	E20	Cocoa
M18	Capitan	FB3400	Aria	Arauco	E21	Capitan
M19	Fog	FB2100	Silver Frost	Arauco	E22	Fog
M20	Sandstone	FB2090	Shadow Frost	Arauco	E23	Sandstone
M21	Medium Oak	FB2030	Seria	Arauco	E24	Medium Oak
M22	Harbor	FB4310	Umbr	Arauco	E25	Harbor
M23	Bark	FB3970	Stromboli	Arauco	E26	Bark
M24	Tarmac	FB4320	Ashen	Arauco	E27	Tarmac
M25	Winter	FB2130	Fog Grey	Arauco	E28	Winter
M26	Storm	FB2000	Pewter Frost	Arauco	E29	Storm
M27	Medium Ash	8842	Weathered Ash	Formica	E30	Medium Ash
M28	Arctic	8841	White Ash	Formica	E31	Arctic
M29	Raven	1595-60	Black	Wilsonart	E32	Raven
		D91-60	Slate Gray	Wilsonart		

**Note**

- When pairing a laminate worksurface finish with hardsurface panel finish, there is a small difference in sheen.
- Match edging to worksurface finish by NAME, not number, or submit order with Edge To Match (ETM).
- Additional charge of 30% of standard net to use Hardsurface Panel Finishes on worksurfaces. Additional discounting does not apply to upcharge.

**Note**

- Hard Surface Panel Finishes are the standard laminates offered for hardsurface panels and laminate end panels (ending in -LAM).

**\* Additional Edge Finishes**

E11	Medium Tone
E12	Dark Tone

Contact suppliers directly for hardsurface panel **finish samples**.

**Wilsonart**

tel: 800-433-3222, <https://www.wilsonart.com/contact-us>,

**Formica**

tel: 800-367-6422, <https://www.formica.com/en-us/collections/commercial-ranges>

**Arauco**

Samples can be ordered at <https://store.samplingproduct.com/8340>.



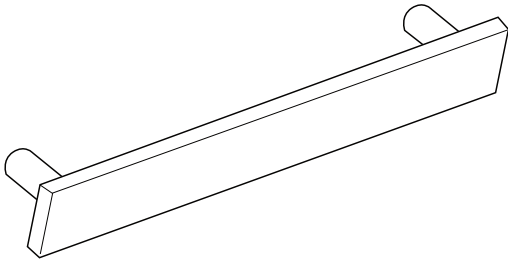
## Trim/End Panel/Tile Glazing

---

METAL FINISHES	END PANEL	BASE COVERS
BU Black Umber	BU Black Umber	<b>METAL FINISHES</b>
CW Cloud White	CW Cloud White	BU Black Umber
SV Silver		CW Cloud White
		SV Silver

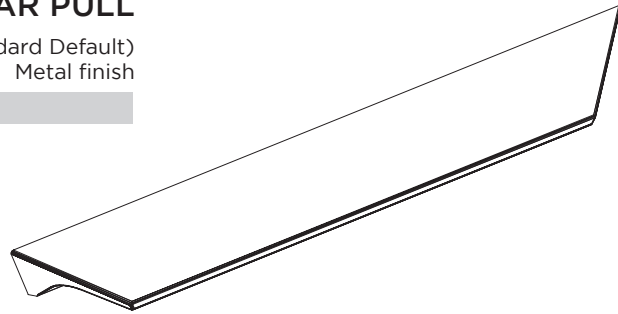
## Pull Options, Interra Storage

Friant offers multiple pull options. Please specify type when ordering. If you have any questions, please contact Friant Customer Service or your local sales rep.



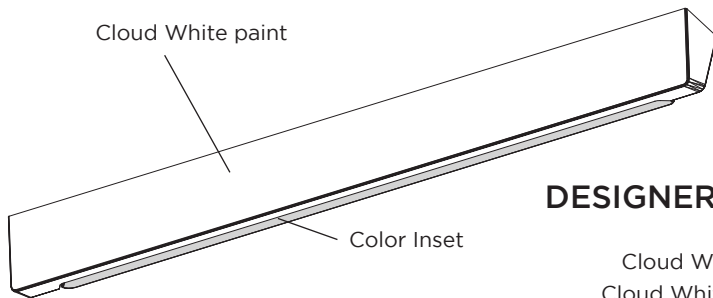
### BAR PULL

(Standard Default)  
Metal finish



### WEDGE PULL

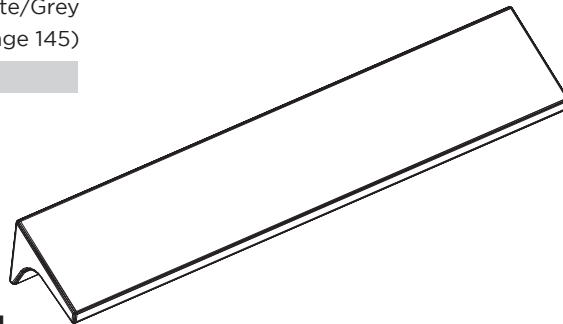
Brushed metal finish  
(Upcharge applies to metal storage. See page 145)



### DESIGNER PULL

Cloud White/Red,  
Cloud White/Green,  
Cloud White/Grey

(Upcharge applies to metal storage. See page 145)



### SLANT PULL

Brushed metal  
(Upcharge applies to metal storage. See page 145)

## Fixed and Mobile Pedestals

FRIANT pedestals are painted metal and available in a variety of options to meet different storage needs. Choose the type of storage, color (silver, cloud white or black umber), and pull (page 14). Specify Pedestals starting on page 136.

### SUPPORTING PEDESTALS (See page 136)

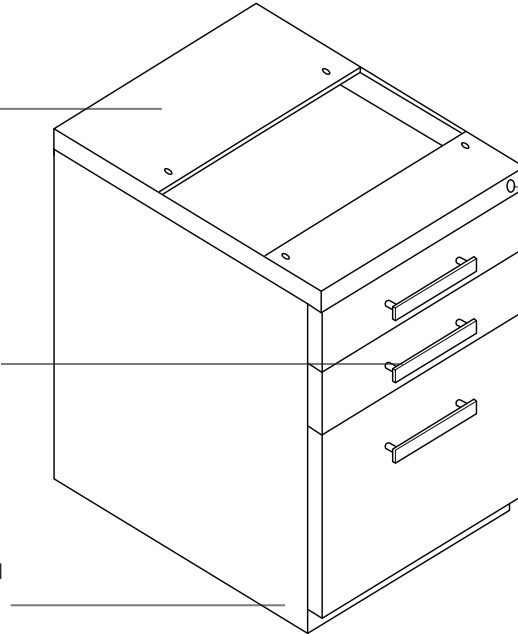
Top of pedestal is open to attach beneath the worksurface.

### PULLS

FRIANT offers 4 different pull options to choose from (Default Bar Pull shown). (Page 14)

### LEVELLING GLIDES

Levelling glides allow you to install and level pedestal securely on uneven flooring.



### LOCKING

Keyed alike option is available. (Page "Keyed-Alike Information" on page 149)

### FRONT TO BACK FILE BAR

Front to Back file bar is included. Order side to side file bar separately for all pedestals. (Page 139)

## MOBILE PEDESTALS

### BOX/FILE MOBILE PEDESTAL (page 137)

Top of pedestal is finished.

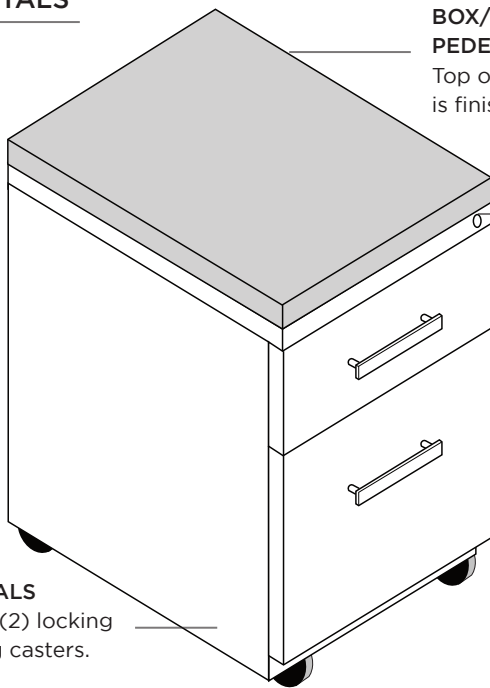
### LOCKING

Keyed alike option is available. (Page 149)

### BOX/FILE PEDESTALS

Ship standard with (2) locking and (2) non-locking casters.

NOTE: All Cloud White pedestals have standard; Light Grey/White casters, all other finish colors have Dark Grey casters.



### OPTIONAL CUSHION

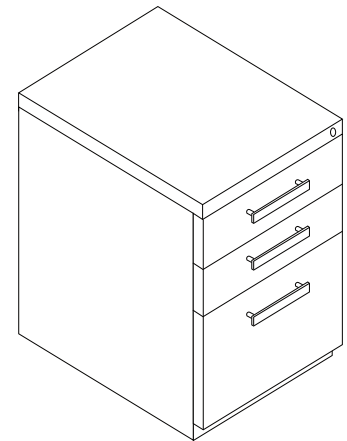
Mobile pedestals can be topped with a fabric covered cushion. (page 137)

### NOTE:

- Box/Box/File and File/File can use cushion but will not fit under worktops at seated height.
- **Passage and Terrain fabric not available on cushion.**
- COM is an option.

### BOX/BOX/FILE OR FILE/FILE MOBILE PEDESTAL (page 137)

Top of pedestal is finished.



### FRONT TO BACK FILE BAR

Front to Back file bar is included. Order side to side file bar separately for all pedestals. (Page 139)

## Lateral Files and Freestanding Towers

FRIANT lateral files and freestanding towers are painted metal and available in a variety of options to meet different storage needs. Choose color (silver, cloud white or black umber), and the type of pull (Page 14). Specify Lateral Files starting on page 138. Specify Freestanding Towers starting on page 144.

### LATERAL FILES

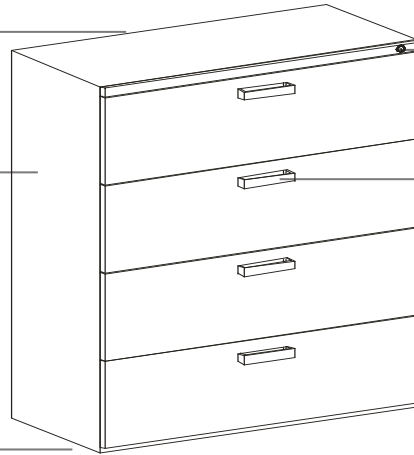
#### TOP

Finished top cap

NOTE: 3 & 4 drawer lateral files must be bolted back-to-back or wall mounted for stability.

#### GLIDES

(4) Adjustable height glides included for levelling



#### LOCKING

Keyed alike option is available. (Page 149)

#### PULLS

FRIANT offers 4 different pull options to choose from (Bar Pull shown) (Page 14)

#### SIDE TO SIDE FILE BAR

Side to side file bar is included. Order front to back file bar separately. (Page 139)

#### COUNTERWEIGHT

To convert two drawer lateral files to freestanding, order counterweight. (Page 139)

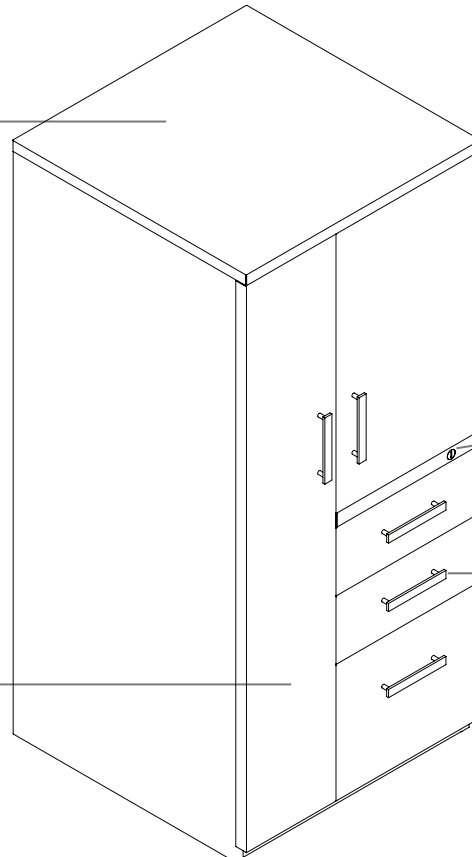
### FREESTANDING TOWERS

#### TOP

Finished top cap

#### WARDROBE

Wardrobe can be ordered on either right hand or left hand side



#### LOCKING

- Keyed alike option is available. (Page 149)
- (1) Lock core per tower.
- Drawers lock, door and cabinet do not have lock

#### PULLS

FRIANT has 4 different pull options to choose from. (Default Bar Pull shown - Page 14)

#### SIDE TO SIDE FILE BAR

- Front to Back file bar is included
- Order side to side file bar separately.



## Freestanding Laminate Credenza Units

FRIANT credenzas are available in a variety of options to meet different storage needs. Specify the type of storage, laminate, feet, and pull (page 14). Specify freestanding credenza units starting on page 141.

### FINISHES

Three parts of the credenza are specified individually: top, front and casing. See page 12 for laminate options.

### PULLS

FRIANT has 4 different pull options to choose from (Default Bar Pull shown). (Page 14)

### LOCKING

Keyed alike option is available. (Page 149)

### SWING DOOR

in front of adjustable shelf.

### DRAWERS

Drawers are always 30" wide and can be ordered on either left or right side

### OPTIONAL CUSHION

Freestanding credenzas can be topped with a fabric covered cushion (Page 142)

#### NOTE:

- Overall height with cushion: 26.5"
- Passage and Terrain fabric not available on cushion.

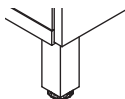
### OPEN SHELVING

Credenza unit may be ordered with open adjustable shelving. (Page 142)

### CREDENZA FEET

There are 3 style of feet available. See below (default Post foot shown).

### CREDENZA FEET OPTIONS



Post foot (Brushed aluminum)



Taper foot (CW, BU, SV)

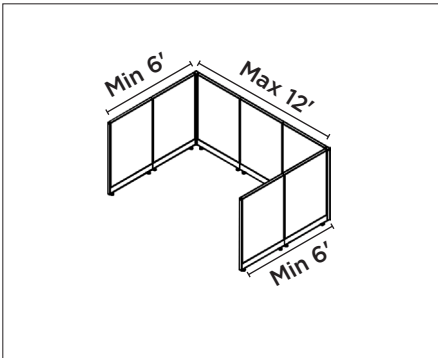
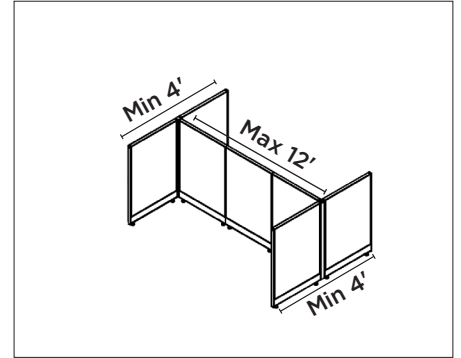
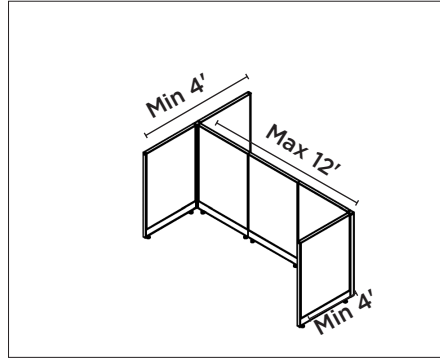
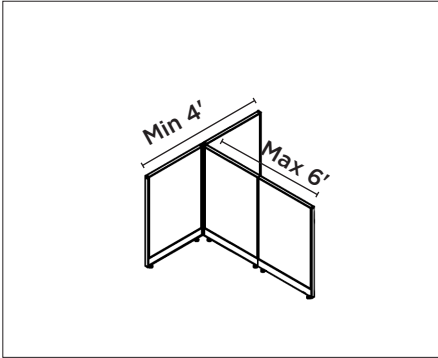


Inset foot (CW, BU, SV)

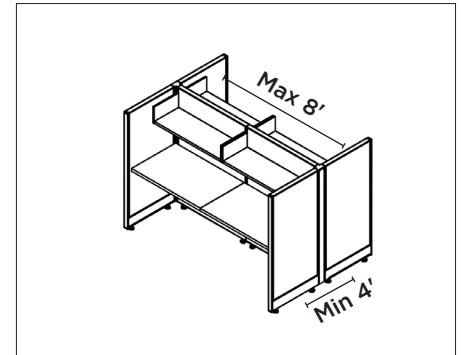
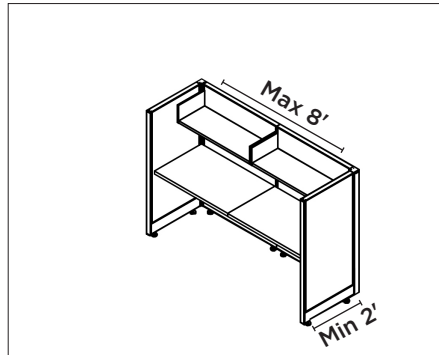
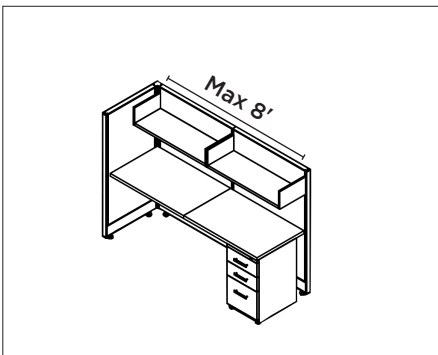
## Maximum Panel Run - Recommended Guidelines

Panel runs need wall starts or wing panels for stability. Exceeding the recommended guidelines shown below may result in unstable panel configurations. Panels that are not properly supported will **yield** when pressure is applied.

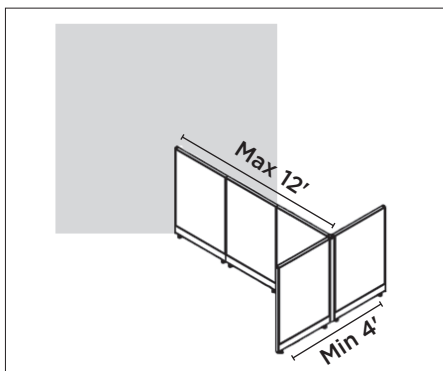
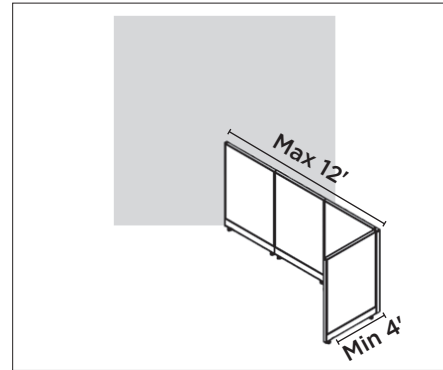
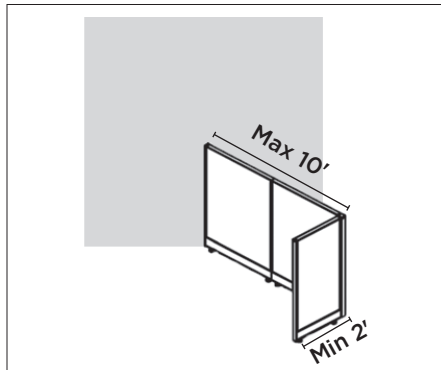
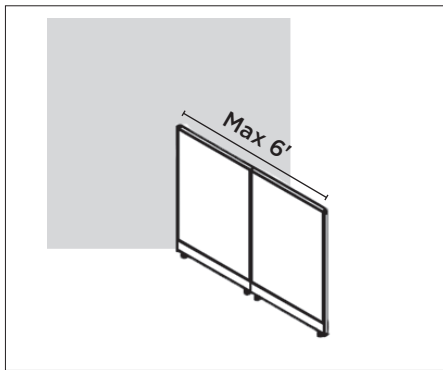
### Freestanding



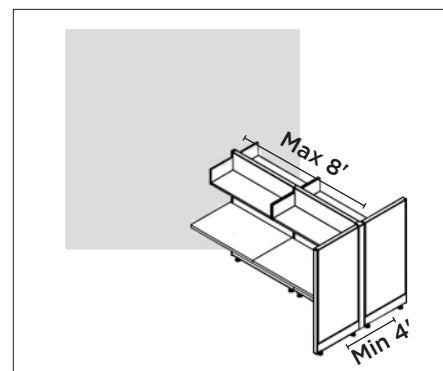
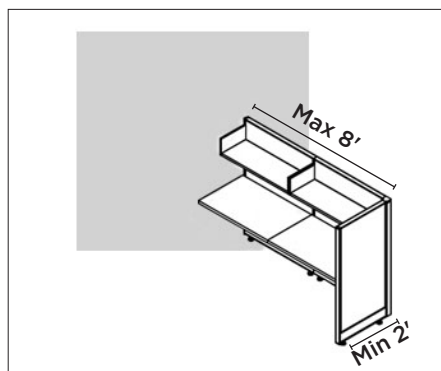
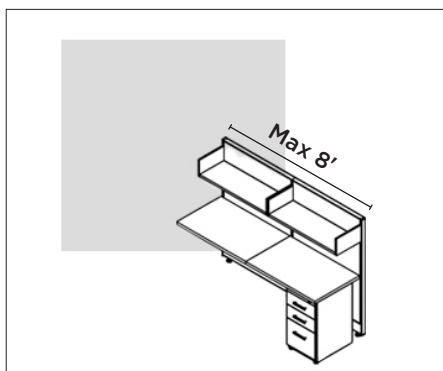
### Freestanding with Components



### Wall Start

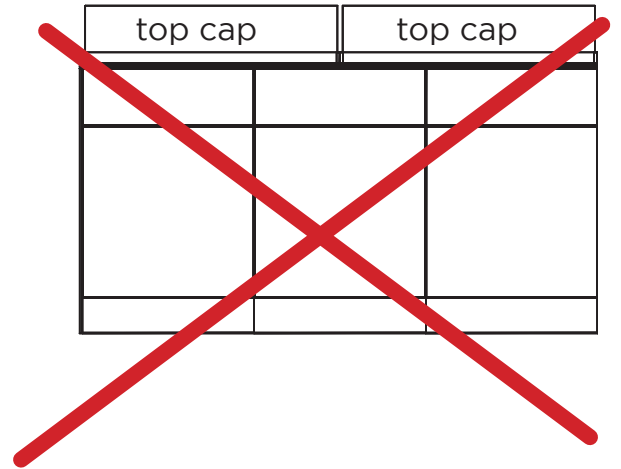
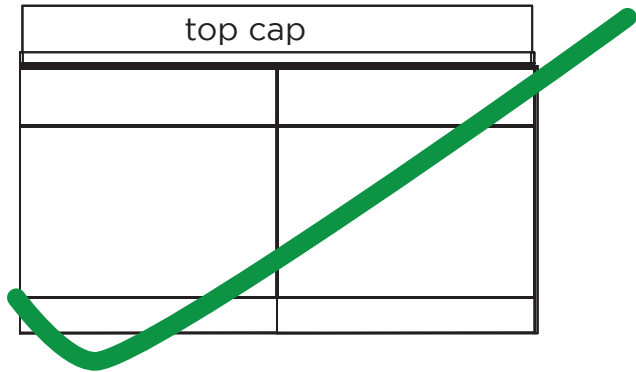


### Wall Start with Components



## How Glass Top Caps Can Span Panels

Top caps can span across multiple frames but the start and ends must align evenly with the edges of the frames. When specifying top cap glass, order frames with no top cap.





## Data Port Plate

### Product Description

PART #: FIDPP, FIDPP.BL

This Data Port Faceplate is field configurable, flush-mounted onto the Panel Base Kickplate, and provides 1 to 4 flush-mount ports for a variety of snap-in connectors and adaptors.

#### Product Notes

- Installation and changes can be made without removing the Panel Base Kickplate
- Plates can be installed and removed without any tools
- Window ID provided with each Data Port Plate
- Release latch provides easy access to connections without any tools
- Blank inserts included with each Data Port Plate

#### Dimensions

PART #: FIDPP,

HEIGHT: 2<sup>1</sup>/<sub>8</sub>"

WIDTH: 3<sup>5</sup>/<sub>8</sub>"

DEPTH: 0.75" (from face of Panel Base Kickplate)

MATERIAL: High impact plastic

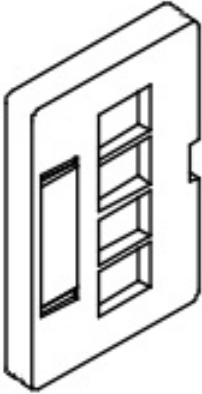
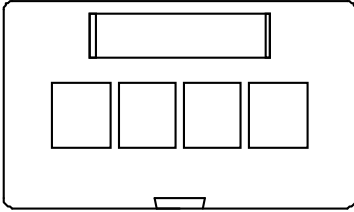
PART #: FIDPP.BL

HEIGHT: 2<sup>1</sup>/<sub>8</sub>"

WIDTH: 3<sup>5</sup>/<sub>8</sub>"

DEPTH: 0.25" (from face of Panel Base Kickplate)

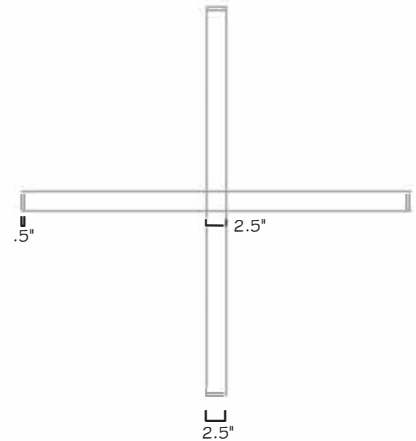
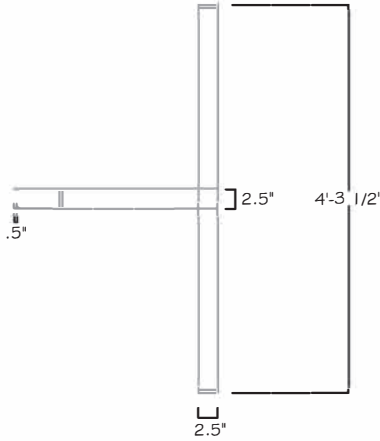
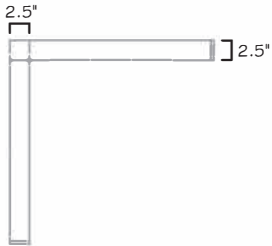
MATERIAL: High impact plastic



## Panel Creep



### Interra Panel Creep 24"W Panels



## Knockout Locations

- Interra powered frames are available with duplex cutouts or duplex and data cutouts
- Knockouts are 3" by 1 7/8"
- Accepts receptacles, data port plates, or base infeeds.

### Duplex Cutout

- 24" frames have one knockout per side
- 30" and wider have two knockouts per side.
- Knockouts are located 10.5" in from the edge of the frame.



### Duplex and Data Cutout

- 24" frames have two knockouts per side
  - 30" and wider have three knockouts per side.
- Knockout locations are shown below:

24" W



30" W



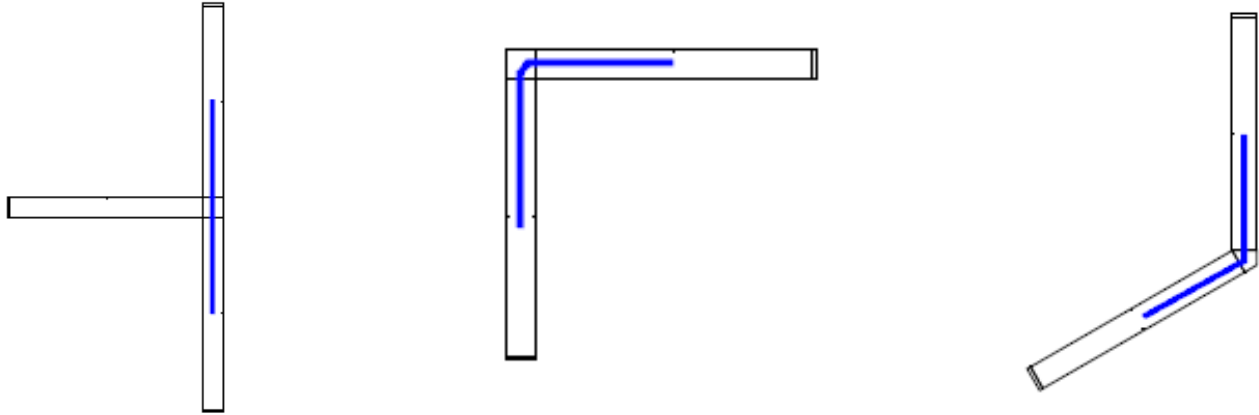
36" - 48" W



## Festoons

Festoons connect powered panels in a straight line or through connectors. All Interra powered panels will come with a panel to panel festoon, which extends power in a straight line from panel to panel. Because these are included, there is no need to order them separately.

Festoons will only need to be ordered separately when bringing power across a connector. Please see below for details and specify festoons on page 73.

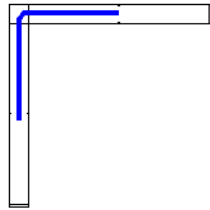


### Pass Through Festoon

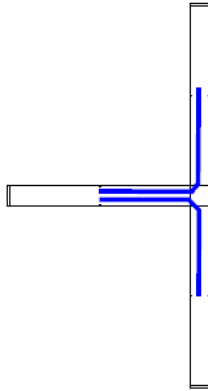
- Part number FIPTF.23 on page 73.
- Extends power in straight line through 3-way or 4-way connector
- Extends power at a 90° angle through a 2-way, 3-way, or 4-way connector.
- Extends power through a 135° or 120° 2-way, 3-way connector.

## Festoos continued..

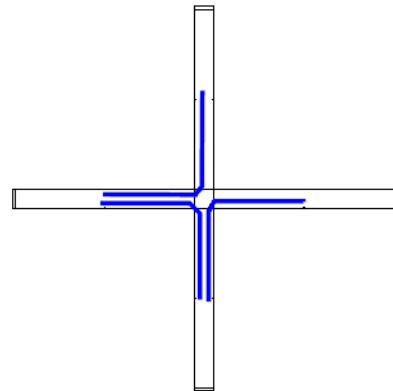
### All Panels Powered



(1) FIPTF.23

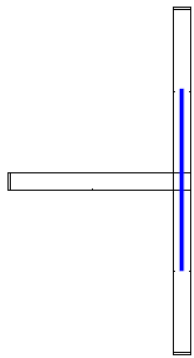


(2) FIPTF.23

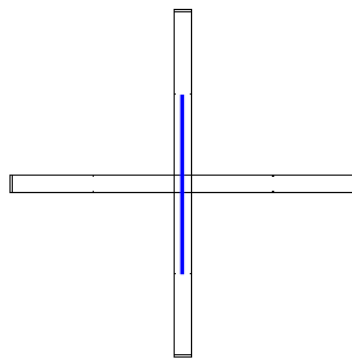


(3) FIPTF.23

### Spine Power Only

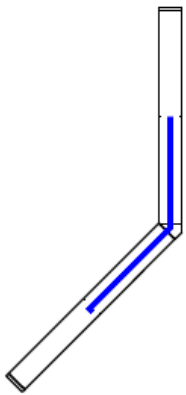


(1) FIPTF.23

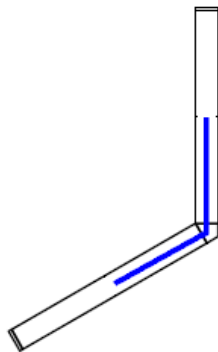


(1) FIPTF.23

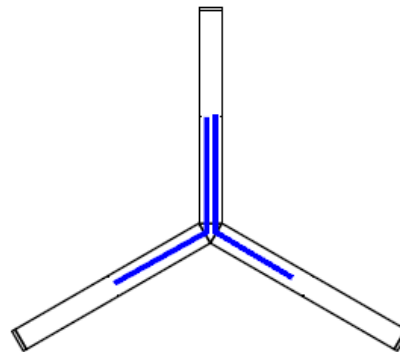
### 135° and 120°



(1) FIPTF.23



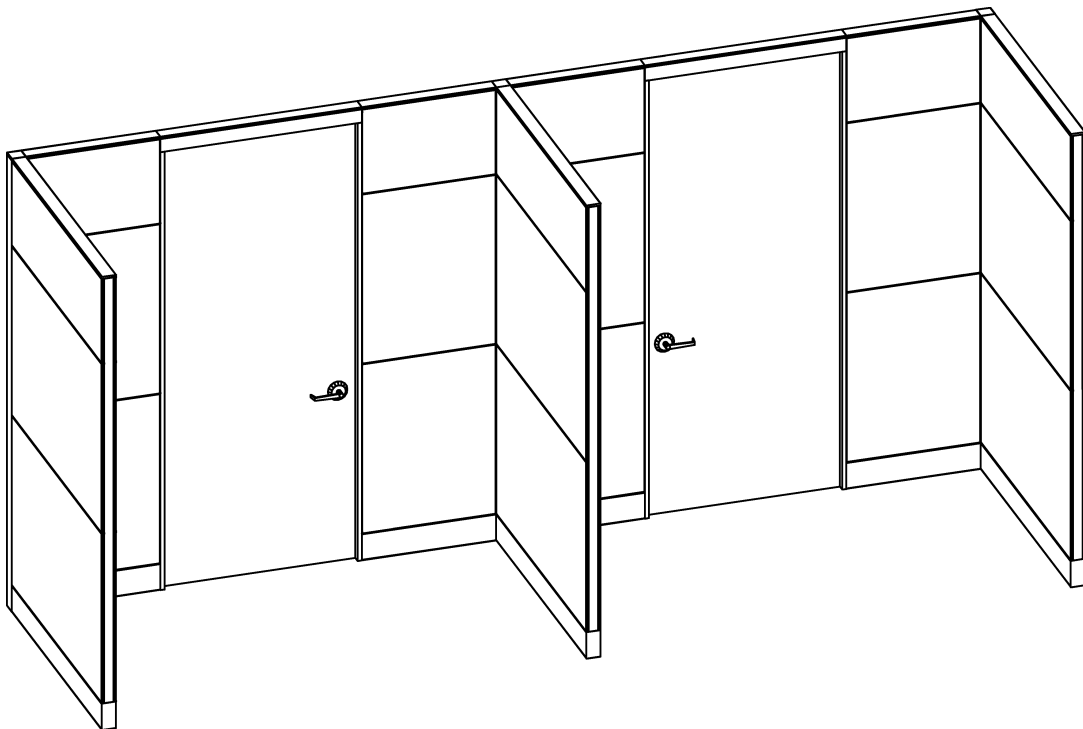
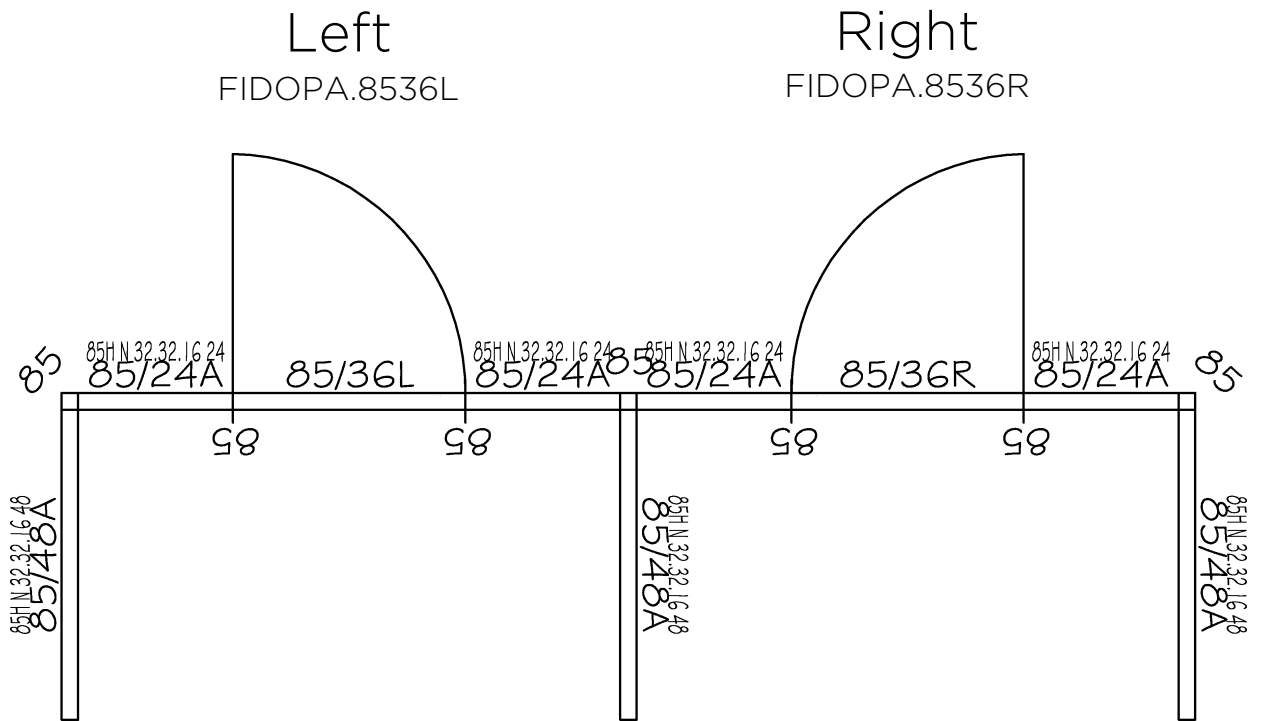
(1) FIPTF.23



(2) FIPTF.23

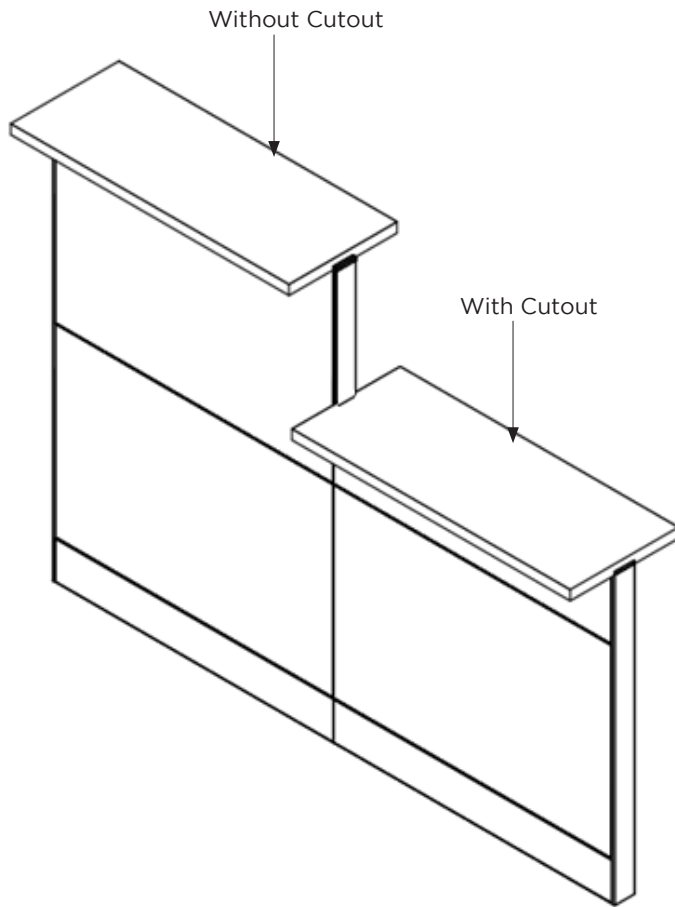
# Door Swing Detail

Interra doors are handed at the factory. Specify left or right hand swing on door on page 46.



## Transaction Tops

- Transaction tops with cutouts are used at the lower height at a change of height. The cutout accommodates the change of height trim. Specify transaction tops on page 108 - 108
- The taller top does not need a cutout
- Interra Transaction supports do not need to be specified separately. Attachment hardware is included



## Power Distribution, Belt Line - Power Pole

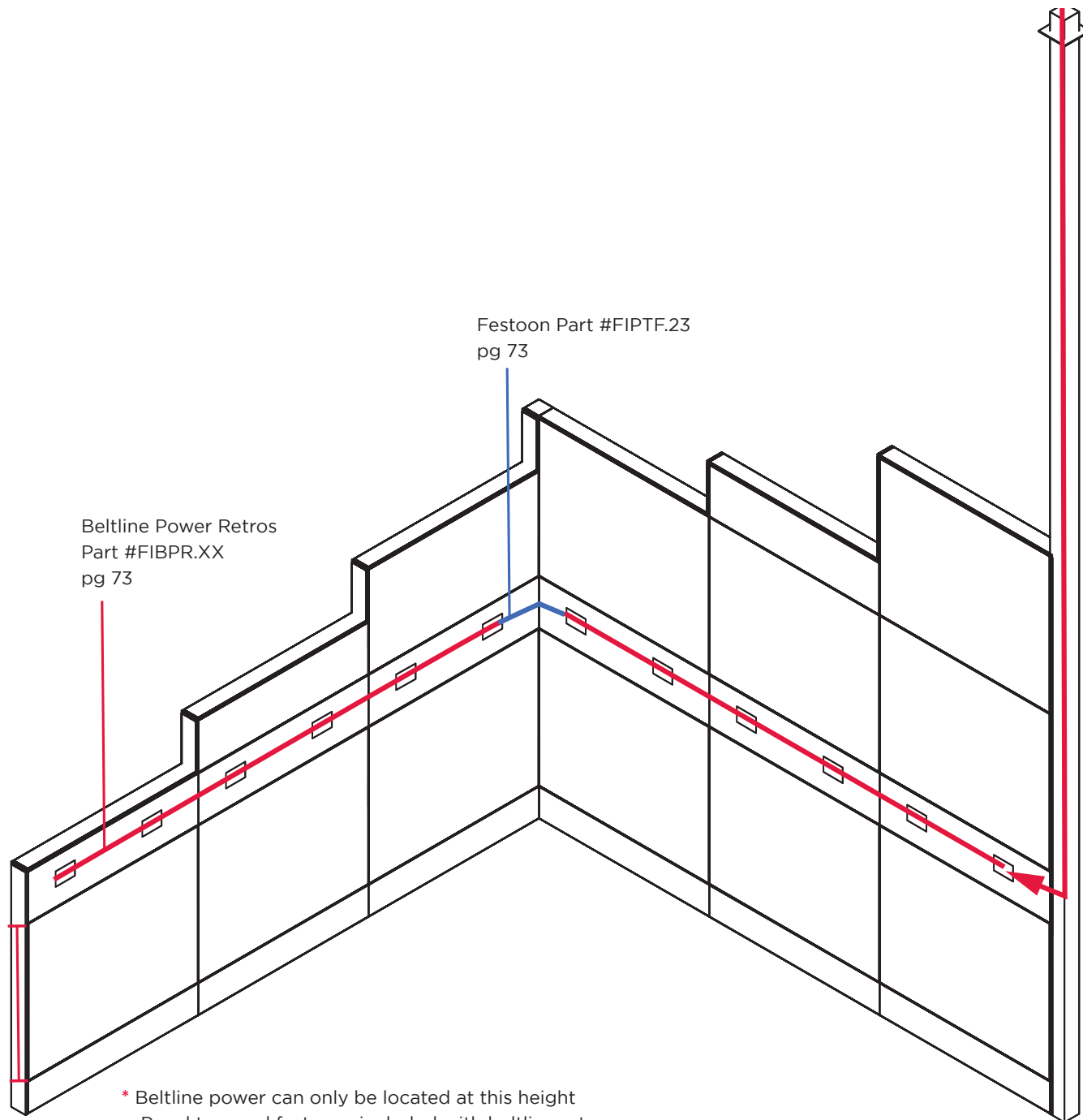
- Power Pole Conduit can run directly into the beltline. No need for power at the base. Specify power pole on pg 72
- Belt line tiles must be located right above 24" of tile. Specific beltline tile on pg 65
- Add beltline power retros to each frame to distribute power. Beltline power retros include panel to panel festoon. Specify beltline power retros on pg 73.
- Connect beltline power retros at connectors with festoons, just like at base. Specify festoon on pg 73
- Order duplexes separately on pg 73.

Power Pole - Part#- FICPE.XX  
pg 72

Festoon Part #FIPTF.23  
pg 73

Beltline Power Retros  
Part #FIBPR.XX  
pg 73

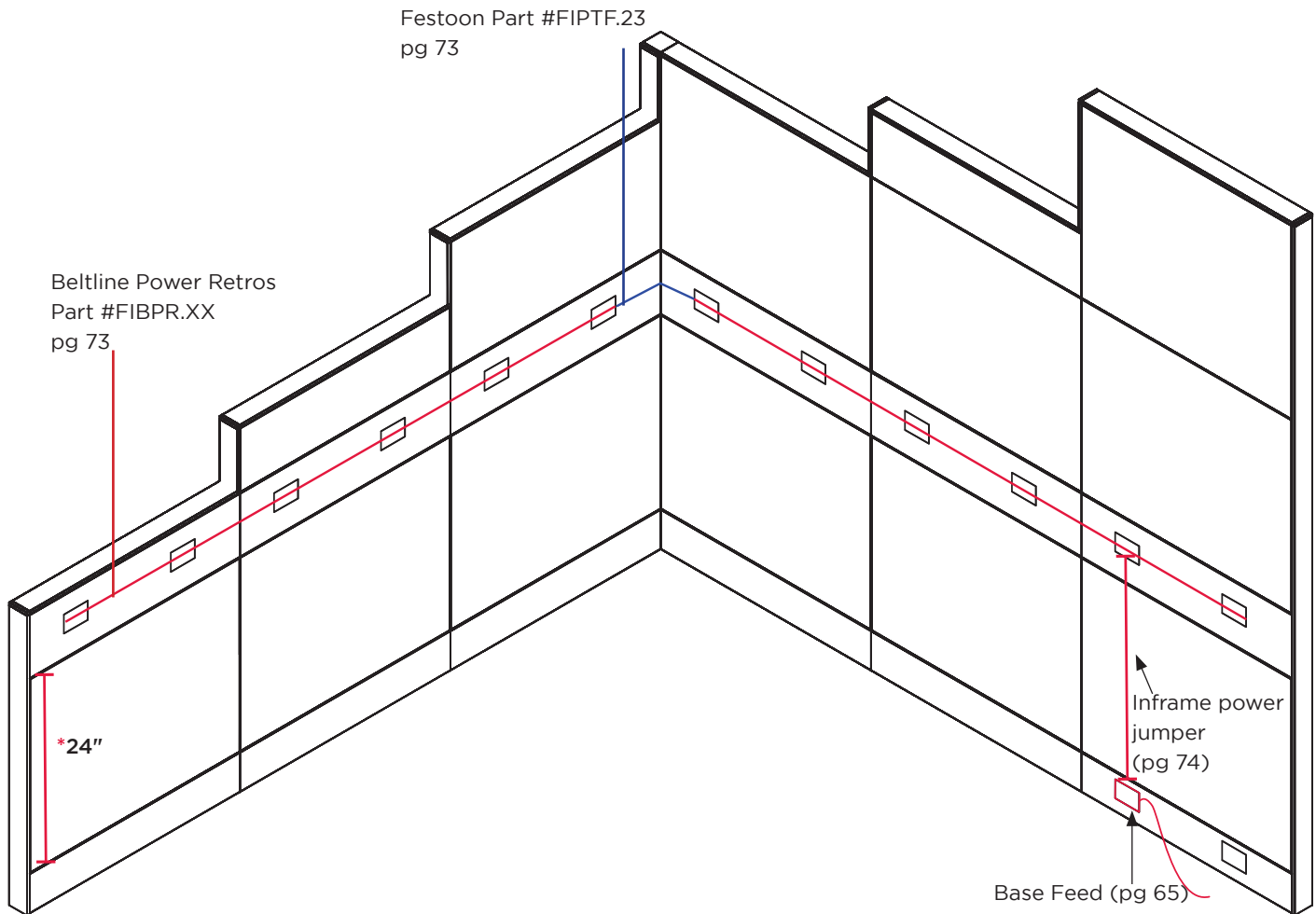
\*24"



- \* Beltline power can only be located at this height
- Panel to panel festoons included with beltline retro
- Connect beltline power retros at connectors with festoons, just like at base

## Power Distribution, Belt Line - Base Feed

- Base Feed connects to base of powered panel, then power is jumped to beltline with Inframe power jumper. Specify basefeed & jumper on pg 74.
- Once at the beltline, all other panels can be non-powered.
- Belt line tiles must be located right above 24" of tile. Specific beltline tile on pg 65
- Add beltline power retros to each frame to distribute power. Beltline power retros include panel to panel festoon. Specify beltline power retros on pg 73.
- Connect beltline power retros at connectors with festoons, just like at base. Specify festoon on pg 73
- Order duplexes separately on pg 73.

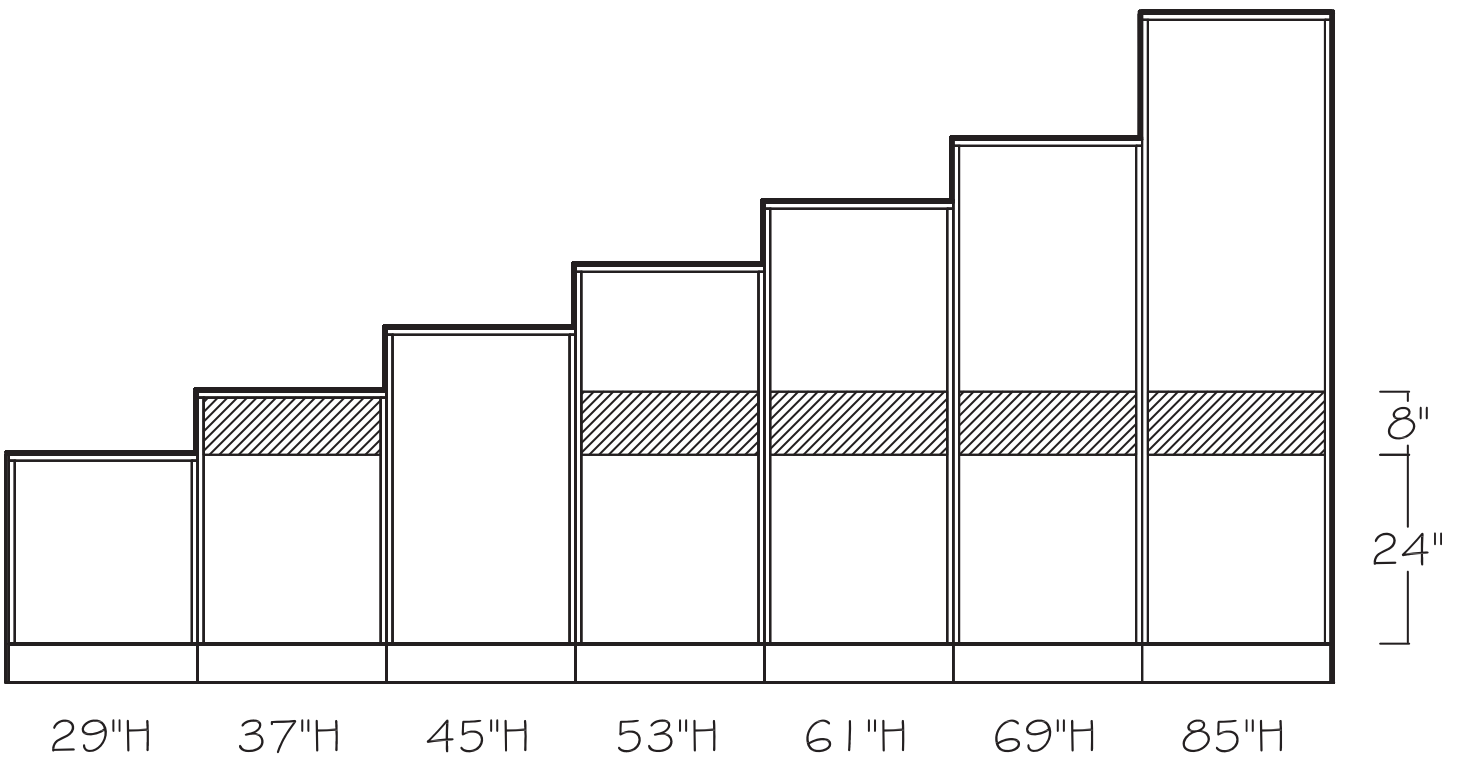


- \* Beltline power can only be located at this height
- Panel to panel festoons included with beltline retro
- Connect beltline power retros at connectors with festoons, just like at base



## Placement of Markerboard Tile

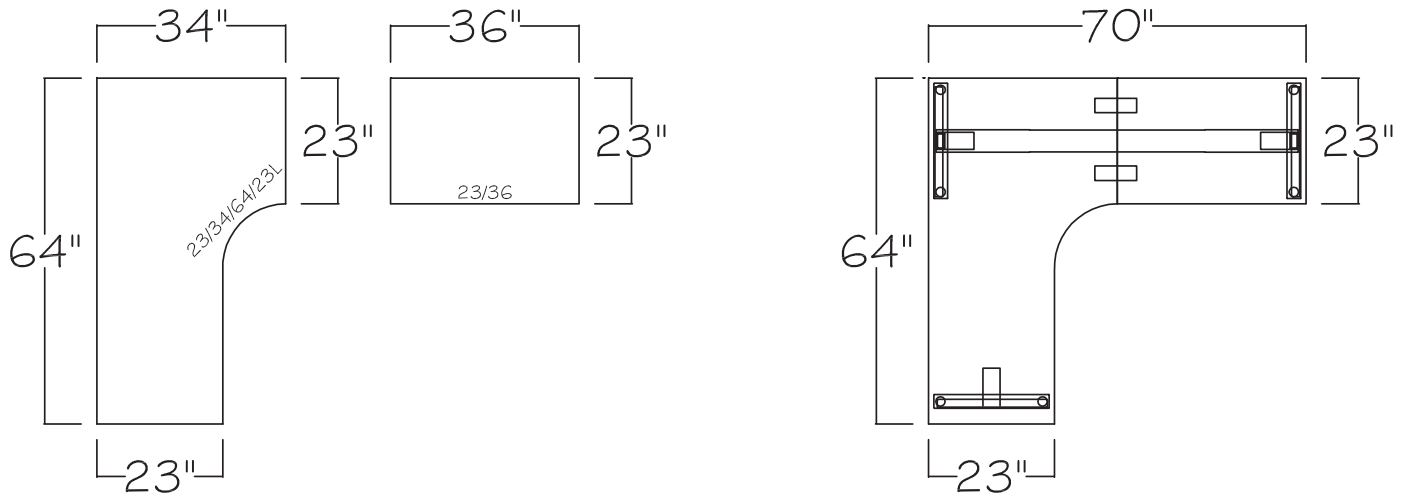
- Markerboard tiles cannot be installed at the beltline (29" - 37" above the floor). **Exception:** 45"H frames - markerboard can be installed at the top of 45"H frames.
- Markerboard tiles cannot be installed on stacking frames, or wall strips and tile adaptors.
- Shaded area below represents beltline power area where markerboard tiles cannot be installed.
- Specify markerboards tiles on pg 71.



## How To Specify My-Hite 2-Piece Extended Corners

To create an extended corner My-Hite station, specify an Extended Curved Corner with a Rectangular Extension.

Use a FVFB.08 Flat Bracket pair to attach the two surfaces, making sure the seam is oriented so that it is supported by the continuous part of the My-Hite Corner Base. Maximum width combined: 72x96" or 84x84". Specify the Rectangular Extension on page 115.

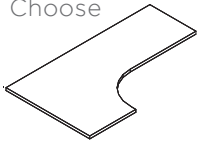


## Grommet Locations For use w/ My-Hite Tops

### 1 Select a My-Hite worksurface

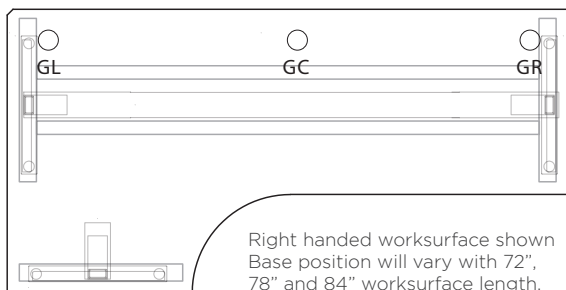
My-Hite tops (starting on page 110) have optional grommets. Please use the two letter codes shown here when specifying location of grommets.

Grommets are 3" round with cover standard.

Choose	Specify Part #	Specify Finish
	FIECCWS.23345823L	M11 / E14 Light Walnut Worksurface and Edge Finish

### 2 Select a grommet location

Specify positioning by using the two letter location.



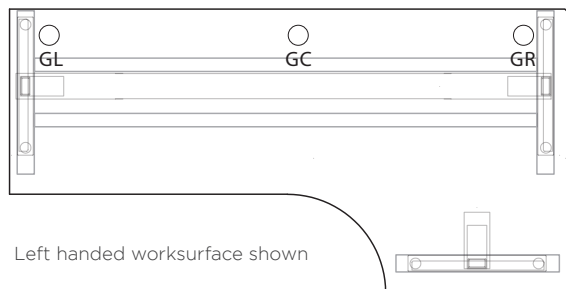
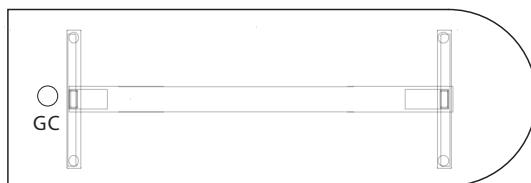
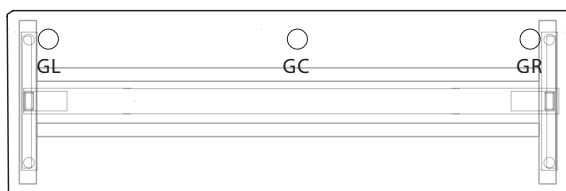
CODE POSITION

GL	4" from left side - 4" from rear
GR	4" from right side - 4" from rear
GC	Centered from side to side - 4" from rear

Dimensions are measured from grommet center to top edge:

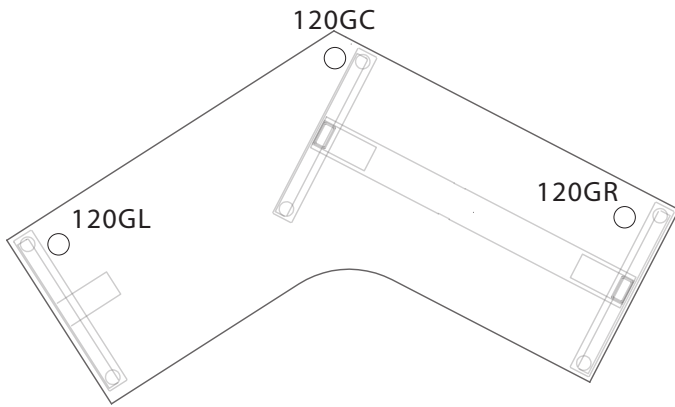
For other grommet locations, please call Friant customer service.

Please Note: Only the GC location is available on the D-Shaped worksurface.



## Grommet Locations

### 2b Select a grommet location, 120° Tops



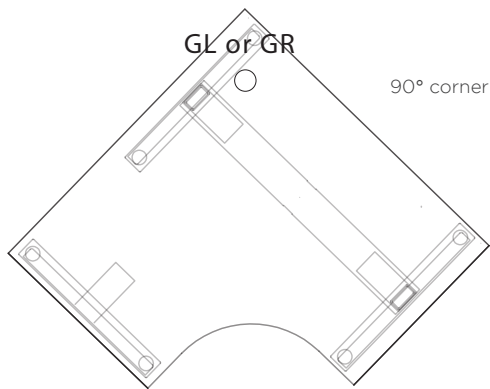
CODE	POSITION
120GL	4" from left side - 4" from rear
120GR	4" from right side - 4" from rear
120GC	Centered from side to side - 4" from rear

Dimensions are measured from grommet center

For other grommet locations, please call Friant customer service.

Grommets are 3" round with cover standard

### 2c Select a grommet location, 90° Equal Corners



CODE	POSITION
GL or GR	4" from from corner

Dimensions are measured from grommet center

For other grommet locations, please call Friant customer service.

Grommets are 3" round with cover standard

## Power Grommet Locations - Notch Cutouts, My-Hite Worksurfaces

FRIANT Power Grommet notch cutouts are required when specifying a Power Grommet on a worksurface supported by a My-Hite C-Leg adjustable height table base. Choose the size of power grommet (5x8 only) and cutout location (left, center or right). Specify Power Grommets on page 37 . \$75 upcharge applies for cutouts.

NOTE: Notch cutouts only available with 5x8 Power grommets and C-leg bases.

### 1 Select a My-Hite worksurface My-Hite worksurfaces (starting on page 26)

### 2 Select a power grommet notch cutout location

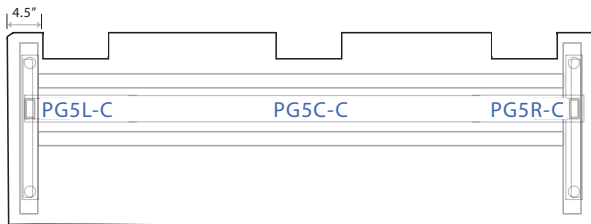
#### Less than 72"

CODE	POSITION (Specific to worksurfaces 72" and below)
PG5L-C	4.5" from left side
PG5C-C	Centered
PG5R-C	4.5" from right side

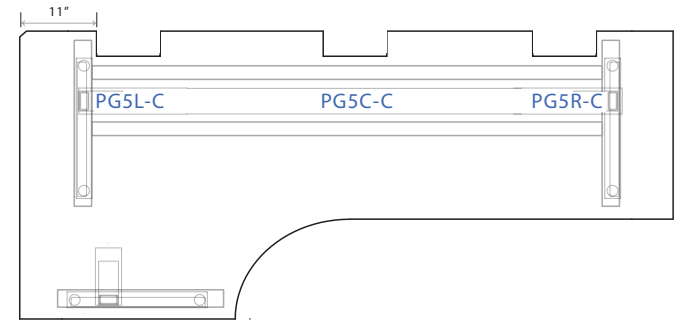
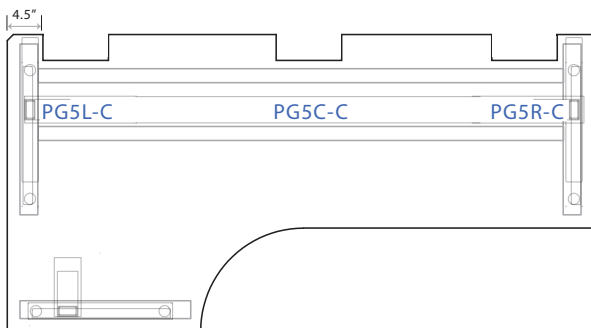
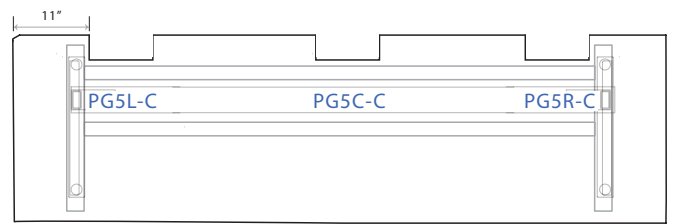
#### Over 72"

CODE	POSITION (Specific to 78" and 84")
PG5L-C	11" from left side
PG5C-C	Centered
PG5R-C	11" from right side

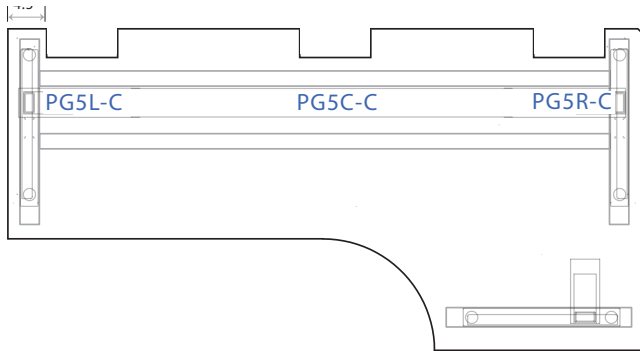
#### Less than 72"



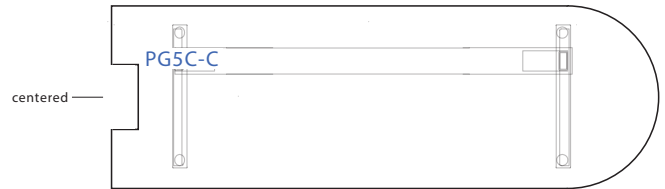
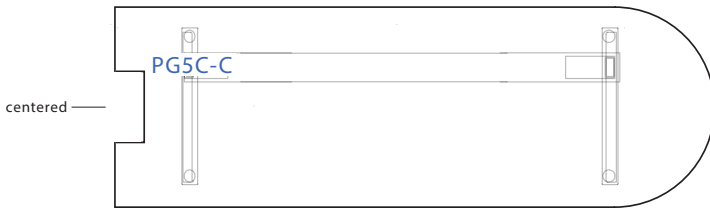
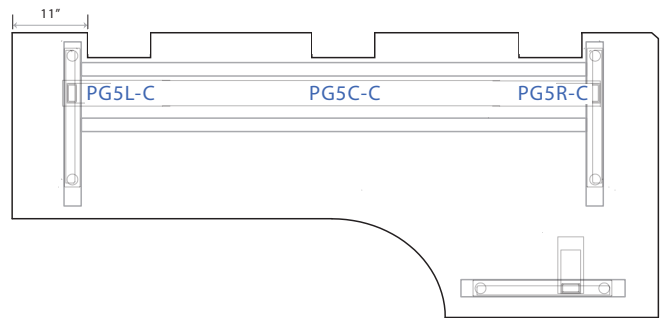
#### Over 72"



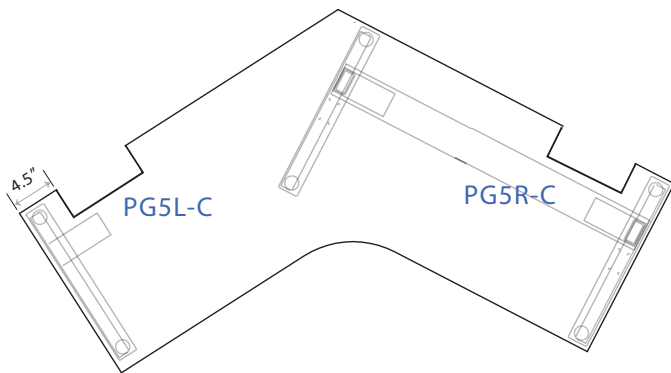
Less than 72"



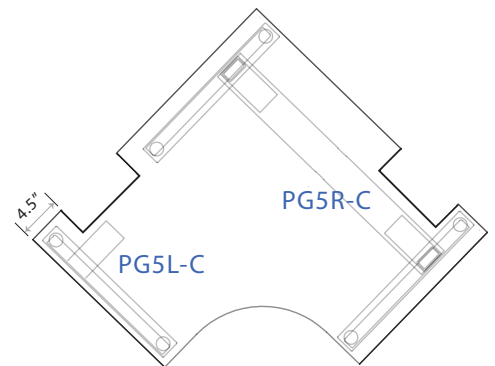
Over 72"



Positions for 120° worksurfaces:



Positions for 90° equal corner worksurfaces:



## Power Grommet Locations - Interior Cutouts, My-Hite Worksurfaces

FRIANT Power Grommet interior cutouts are used when specifying a Power Grommet on a worksurface supported by a My-Hite T-Leg adjustable height table base. Choose the size of power grommet (5x8 or 6x8) and cutout location (left, center or right). Specify Power Grommets on page 37 \$75 upcharge applies for cutouts.

NOTE: Standard position Interior cutouts are not compatible with C-leg bases.

### 1 Select a My-Hite worksurface

My-Hite worksurfaces (starting on page 26)

### 2 Select a power grommet interior cutout location

#### Less than 72"

CODE	POSITION (Specific to worksurfaces 72" and below)
PG6L	4.5" from left side, 1.5" from back
PG6C	Centered, 1.5" from back
PG6R	4.5" from right side, 1.5" from back
PG5L	4.5" from left side, 1.5" from back
PG5C	Centered, 1.5" from back
PG5R	4.5" from right side, 1.5" from back

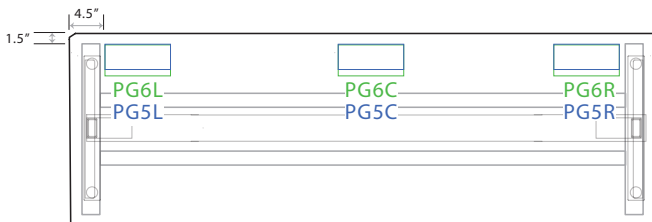
#### Over 72"

CODE	POSITION (Specific to 78" and 84")
PG6L	11" from left side, 1.5" from back
PG6C	Centered, 1.5" from back
PG6R	11" from right side, 1.5" from back
PG5L	11" from left side, 1.5" from back
PG5C	Centered, 1.5" from back
PG5R	11" from right side, 1.5" from back

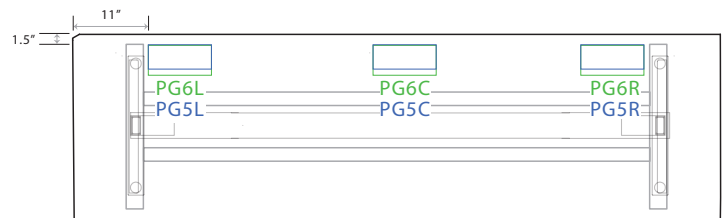
#### 120° and 90° worksurfaces

CODE	POSITION (Specific to 120° and 90°)
PG6L	4.5" from left side, 1.5" from back
PG6C	Centered, 1.5" from back
PG6R	4.5" from right side, 1.5" from back
PG5L	4.5" from left side, 1.5" from back
PG5C	Centered, 1.5" from back
PG5R	4.5" from right side, 1.5" from back

#### Less than 72"

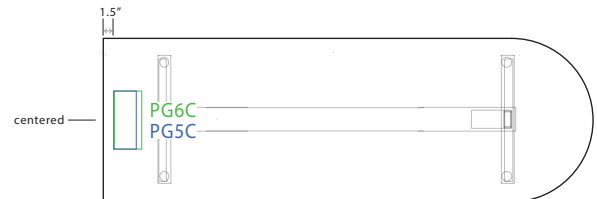
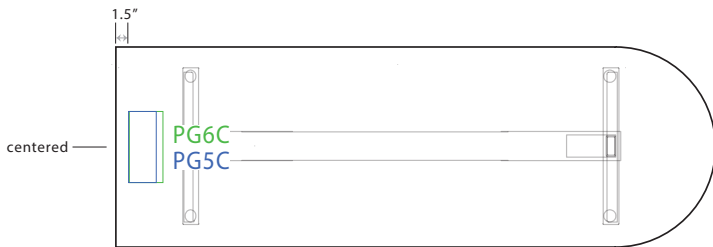
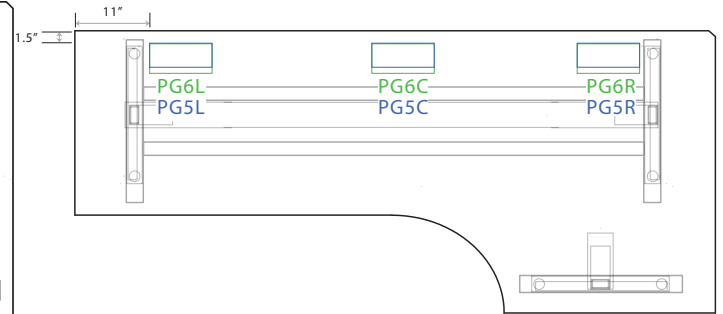
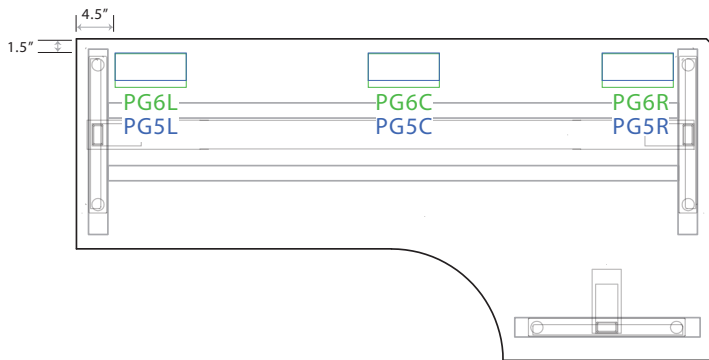
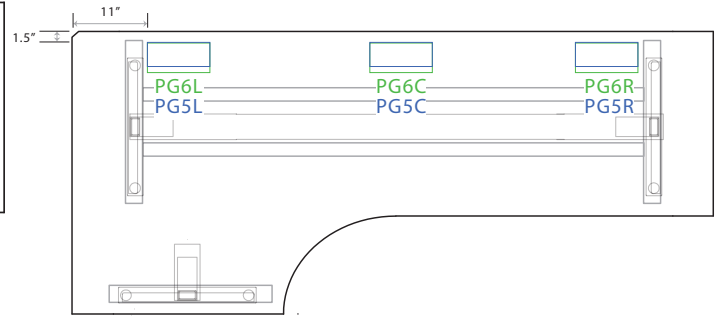
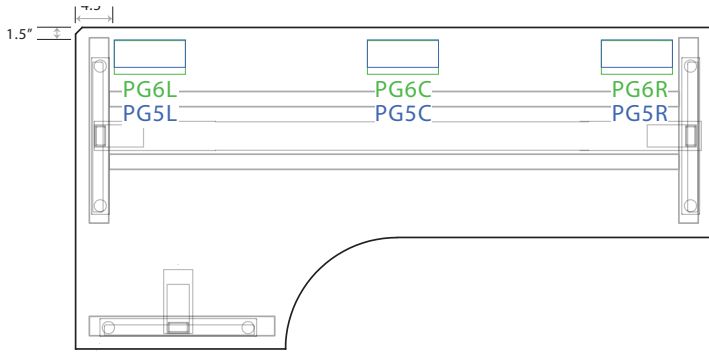


#### Over 72"



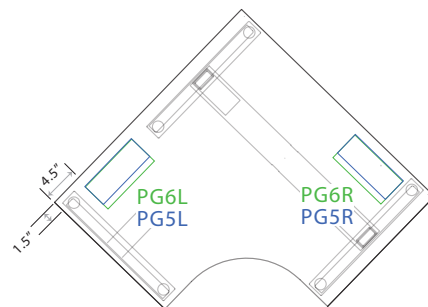
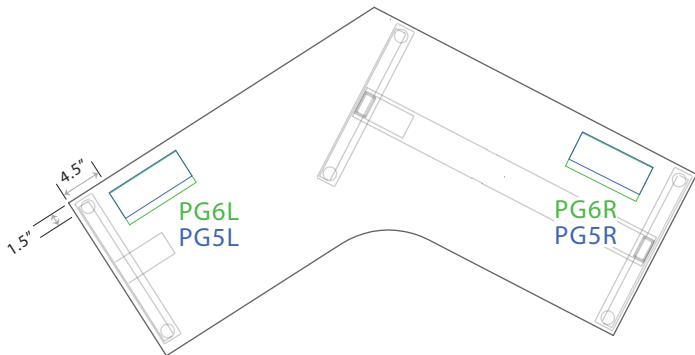
Less than 72"

Over 72"



Positions for 120° worksurfaces:

Positions for 90° equal corner worksurfaces:



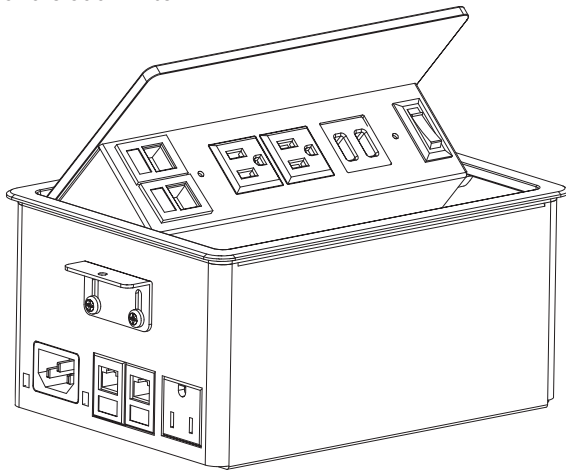


# Power Grommet

FRIANT power grommets are available to meet different worksurface power and data needs. Choose the color of the power grommet (brushed aluminum, brushed charcoal, or cloud white). Specify power grommets on page 75

**3 FINISHES AVAILABLE**

Brushed aluminum, brushed charcoal and cloud white

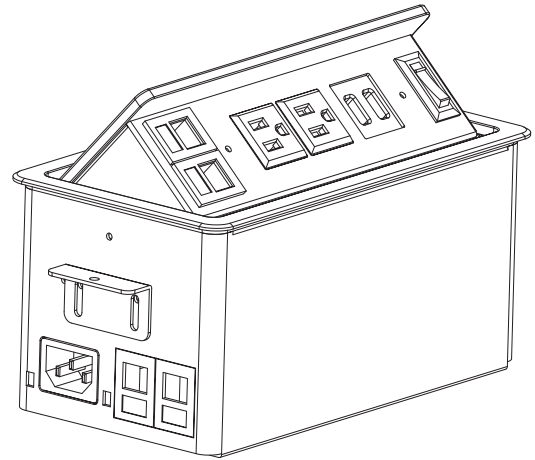


(2) CAT6 DATA PORTS

(2) DAISY CHAIN PORTS (IN/OUT)

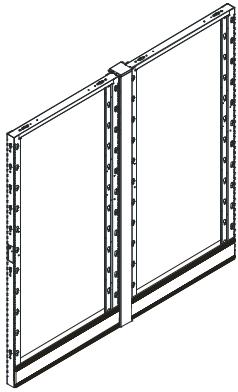
**INCLUDES SPRING CORD**  
(Not shown) For connection to power source

POWER GROMMETS	
	<b>6x8</b>
ABOVE	(2) CAT6 Data Ports (Out)
	(2) Power Outlets
	(2) USB Ports
	<b>5x8</b>
BELOW	(2) CAT6 Data Ports (in)
	(2) Power Outlets
	Daisy Chain Ports (in/out)



(2) POWER OUTLETS (IN)

## Non-Powered Frames A | With top cap



### DESCRIPTION

Each frame holds individual tiles on either side and comes with top cap, base covers, and adjustable glides.

### NOTES

- When connecting two frames of different heights, order the Finished End Change of Height separately.
- To add power above the worksurface, order Beltline Power Retro separately.

### SPECIFICATION OPTIONS

**product #:** see charts below  
**base material:** see page 12  
**base finish:** see page 12  
**finish:** see page 12

### ORDER EXAMPLE

**product #:** FIFA-3724-N  
**base material:** Metal  
**base finish:** CW  
**finish:** CW

### 29" HIGH

PART #	HEIGHT	WIDTH	DEPTH	PRICE
FIFA-2924-N	29-3/4"	24"	2-9/16"	\$200
FIFA-2930-N	29-3/4"	30"	2-9/16"	\$219
FIFA-2936-N	29-3/4"	36"	2-9/16"	\$238
FIFA-2942-N	29-3/4"	42"	2-9/16"	\$257
FIFA-2948-N	29-3/4"	48"	2-9/16"	\$275

### 37" HIGH

PART #	HEIGHT	WIDTH	DEPTH	PRICE
FIFA-3724-N	37-3/4"	24"	2-9/16"	\$241
FIFA-3730-N	37-3/4"	30"	2-9/16"	\$262
FIFA-3736-N	37-3/4"	36"	2-9/16"	\$283
FIFA-3742-N	37-3/4"	42"	2-9/16"	\$303
FIFA-3748-N	37-3/4"	48"	2-9/16"	\$324

### 45" HIGH

PART #	HEIGHT	WIDTH	DEPTH	PRICE
FIFA-4524-N	45-3/4"	24"	2-9/16"	\$262
FIFA-4530-N	45-3/4"	30"	2-9/16"	\$282
FIFA-4536-N	45-3/4"	36"	2-9/16"	\$304
FIFA-4542-N	45-3/4"	42"	2-9/16"	\$324
FIFA-4548-N	45-3/4"	48"	2-9/16"	\$345

**53" HIGH**

PART #	HEIGHT	WIDTH	DEPTH	PRICE
FIFA-5324-N	53-3/4"	24"	2-9/16"	\$283
FIFA-5330-N	53-3/4"	30"	2-9/16"	\$305
FIFA-5336-N	53-3/4"	36"	2-9/16"	\$326
FIFA-5342-N	53-3/4"	42"	2-9/16"	\$346
FIFA-5348-N	53-3/4"	48"	2-9/16"	\$367

**61" HIGH**

PART #	HEIGHT	WIDTH	DEPTH	PRICE
FIFA-6124-N	61-3/4"	24"	2-9/16"	\$304
FIFA-6130-N	61-3/4"	30"	2-9/16"	\$326
FIFA-6136-N	61-3/4"	36"	2-9/16"	\$346
FIFA-6142-N	61-3/4"	42"	2-9/16"	\$367
FIFA-6148-N	61-3/4"	48"	2-9/16"	\$387

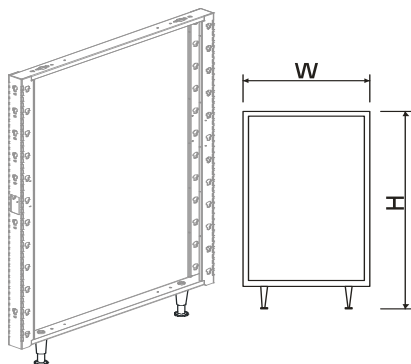
**69" HIGH**

PART #	HEIGHT	WIDTH	DEPTH	PRICE
FIFA-6924-N	69-3/4"	24"	2-9/16"	\$326
FIFA-6930-N	69-3/4"	30"	2-9/16"	\$347
FIFA-6936-N	69-3/4"	36"	2-9/16"	\$368
FIFA-6942-N	69-3/4"	42"	2-9/16"	\$388
FIFA-6948-N	69-3/4"	48"	2-9/16"	\$410

**85" HIGH**

PART #	HEIGHT	WIDTH	DEPTH	PRICE
FIFA-8524-N	85-3/4"	24"	2-9/16"	\$369
FIFA-8530-N	85-3/4"	30"	2-9/16"	\$390
FIFA-8536-N	85-3/4"	36"	2-9/16"	\$410
FIFA-8542-N	85-3/4"	42"	2-9/16"	\$431
FIFA-8548-N	85-3/4"	48"	2-9/16"	\$452

## Non-Powered Frames B | With top cap



### DESCRIPTION

Each frame holds individual tiles on either side and comes with top cap, and legs with adjustable glides.

### NOTES

- When connecting two frames of different heights, order the Finished End Change of Height separately.
- To add power above the worksurface, order Beltline Power Retro separately.
- When using B-style frames, specify finished ends and connectors 5" shorter than the height of the panel

### SPECIFICATION OPTIONS

**product #:** see charts below  
**base material:** see page 12  
**finish:** see page 12

### ORDER EXAMPLE

**product #:** FIFB-3724-N  
**base material:** Metal  
**finish:** CW

### 29" HIGH

PART #	HEIGHT	WIDTH	DEPTH	PRICE
FIFB-2924-N	29-3/4"	24"	2-9/16"	\$300
FIFB-2930-N	29-3/4"	30"	2-9/16"	\$319
FIFB-2936-N	29-3/4"	36"	2-9/16"	\$338
FIFB-2942-N	29-3/4"	42"	2-9/16"	\$357
FIFB-2948-N	29-3/4"	48"	2-9/16"	\$375

### 37" HIGH

PART #	HEIGHT	WIDTH	DEPTH	PRICE
FIFB-3724-N	37-3/4"	24"	2-9/16"	\$341
FIFB-3730-N	37-3/4"	30"	2-9/16"	\$362
FIFB-3736-N	37-3/4"	36"	2-9/16"	\$383
FIFB-3742-N	37-3/4"	42"	2-9/16"	\$403
FIFB-3748-N	37-3/4"	48"	2-9/16"	\$424

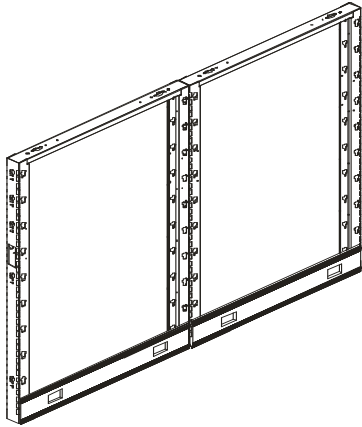
### 45" HIGH

PART #	HEIGHT	WIDTH	DEPTH	PRICE
FIFB-4524-N	45-3/4"	24"	2-9/16"	\$362
FIFB-4530-N	45-3/4"	30"	2-9/16"	\$382
FIFB-4536-N	45-3/4"	36"	2-9/16"	\$404
FIFB-4542-N	45-3/4"	42"	2-9/16"	\$424
FIFB-4548-N	45-3/4"	48"	2-9/16"	\$445

### 53" HIGH

PART #	HEIGHT	WIDTH	DEPTH	PRICE
FIFB-5324-N	53-3/4"	24"	2-9/16"	\$383
FIFB-5330-N	53-3/4"	30"	2-9/16"	\$405
FIFB-5336-N	53-3/4"	36"	2-9/16"	\$426
FIFB-5342-N	53-3/4"	42"	2-9/16"	\$446
FIFB-5348-N	53-3/4"	48"	2-9/16"	\$467

Powered Frames | with Duplex Cutouts



DESCRIPTION

Each frame holds individual tiles on either side and comes with top cap, base covers, and adjustable glides.

Power Retro is used to access power at the base level. It distributes up to four 20-amp circuits, and provides duplex locations on both sides of the frame. Power Retro and Frame-to-Frame Festoon are included.

NOTES

- When connecting two frames of different heights, order the Finished End Change of Height separately.
- Power Retro and Frame-to-Frame Festoon are included.
- To add power above the worksurface, order Beltline Power Retro separately.
- 24"W Power Frames have base cover with one duplex location per side.
- 30", 36", 42", and 48"W Power Frames have base cover with two duplex locations per side.
- Cutouts are 2-31/32" by 1-7/8"
- Data port plates can snap into unoccupied duplex location.
- Data jacks should be the top feed, 90° type and not the back feed 180° type.

SPECIFICATION OPTIONS

**product #:** see charts below  
**base material:** see page 12  
**base finish:** see page 12  
**top cap finish:** see page 12

ORDER EXAMPLE

**product #:** FIF-3724-E  
**base material:** Metal  
**base finish:** CW  
**top cap finish:** CW

29" HIGH

PART #	HEIGHT	WIDTH	DEPTH	PRICE
FIF-2924-E	29-3/4"	24"	2-9/16"	\$363
FIF-2930-E	29-3/4"	30"	2-9/16"	\$392
FIF-2936-E	29-3/4"	36"	2-9/16"	\$432
FIF-2942-E	29-3/4"	42"	2-9/16"	\$485
FIF-2948-E	29-3/4"	48"	2-9/16"	\$530

37" HIGH

PART #	HEIGHT	WIDTH	DEPTH	PRICE
FIF-3724-E	37-3/4"	24"	2-9/16"	\$422
FIF-3730-E	37-3/4"	30"	2-9/16"	\$454
FIF-3736-E	37-3/4"	36"	2-9/16"	\$498
FIF-3742-E	37-3/4"	42"	2-9/16"	\$558
FIF-3748-E	37-3/4"	48"	2-9/16"	\$607

45" HIGH

PART #	HEIGHT	WIDTH	DEPTH	PRICE
FIF-4524-E	45-3/4"	24"	2-9/16"	\$443
FIF-4530-E	45-3/4"	30"	2-9/16"	\$474
FIF-4536-E	45-3/4"	36"	2-9/16"	\$519
FIF-4542-E	45-3/4"	42"	2-9/16"	\$578
FIF-4548-E	45-3/4"	48"	2-9/16"	\$628

**Powered Frames** | with Duplex Cutouts (cont'd)

**53" HIGH**

PART #	HEIGHT	WIDTH	DEPTH	PRICE
FIF-5324-E	53-3/4"	24"	2-9/16"	\$466
FIF-5330-E	53-3/4"	30"	2-9/16"	\$497
FIF-5336-E	53-3/4"	36"	2-9/16"	\$542
FIF-5342-E	53-3/4"	42"	2-9/16"	\$601
FIF-5348-E	53-3/4"	48"	2-9/16"	\$649

**61" HIGH**

PART #	HEIGHT	WIDTH	DEPTH	PRICE
FIF-6124-E	61-3/4"	24"	2-9/16"	\$486
FIF-6130-E	61-3/4"	30"	2-9/16"	\$518
FIF-6136-E	61-3/4"	36"	2-9/16"	\$562
FIF-6142-E	61-3/4"	42"	2-9/16"	\$622
FIF-6148-E	61-3/4"	48"	2-9/16"	\$670

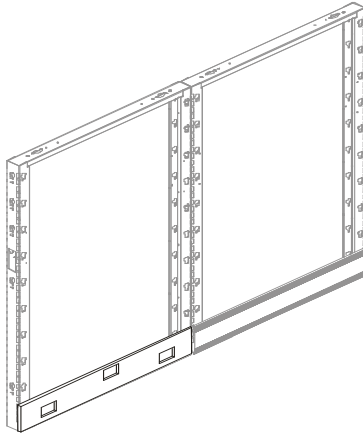
**69" HIGH**

PART #	HEIGHT	WIDTH	DEPTH	PRICE
FIF-6924-E	69-3/4"	24"	2-9/16"	\$508
FIF-6930-E	69-3/4"	30"	2-9/16"	\$539
FIF-6936-E	69-3/4"	36"	2-9/16"	\$584
FIF-6942-E	69-3/4"	42"	2-9/16"	\$643
FIF-6948-E	69-3/4"	48"	2-9/16"	\$692

**85" HIGH**

PART #	HEIGHT	WIDTH	DEPTH	PRICE
FIF-8524-E	85-3/4"	24"	2-9/16"	\$550
FIF-8530-E	85-3/4"	30"	2-9/16"	\$582
FIF-8536-E	85"-3/4	36"	2-9/16"	\$626
FIF-8542-E	85-3/4"	42"	2-9/16"	\$686
FIF-8548-E	85-3/4"	48"	2-9/16"	\$735

Powered Frames | with Duplex and Data Cutout



DESCRIPTION

Each frame holds individual tiles on either side and comes with top cap, base covers, and adjustable glides.

Power Retro is used to access power at the base level. It distributes up to four 20-amp circuits, and provides duplex locations on both sides of the frame. Power Retro is included.

NOTES

- When connecting two frames of different heights, order the Finished End Change of Height separately.
- Power Retro is included.
- To add power above the worksurface, order Beltline Power Retro separately.
- 24"W Power Frames have base covers with one duplex location per side, and one data plate cutout on the right side.
- 30", 36", 42", and 48"W Power Frames have base covers with two duplex locations per side, and one data plate cutout in center.
- Data jacks should be the top feed, 90° type and not the back feed 180° type.
- Cutouts are 2-31/32" by 1-7/8"

SPECIFICATION OPTIONS

**product #:** see charts below  
**base material:** see page 12  
**base finish:** see page 12  
**top cap finish:** see page 12

ORDER EXAMPLE

**product #:** FIF-3724-ED  
**base material:** Metal  
**base finish:** CW  
**top cap finish:** CW

29" HIGH

PART #	HEIGHT	WIDTH	DEPTH	PRICE
FIF-2924-ED	29-3/4"	24"	2-9/16"	\$364
FIF-2930-ED	29-3/4"	30"	2-9/16"	\$392
FIF-2936-ED	29-3/4"	36"	2-9/16"	\$433
FIF-2942-ED	29-3/4"	42"	2-9/16"	\$486
FIF-2948-ED	29-3/4"	48"	2-9/16"	\$530

37" HIGH

PART #	HEIGHT	WIDTH	DEPTH	PRICE
FIF-3724-ED	37-3/4"	24"	2-9/16"	\$423
FIF-3730-ED	37-3/4"	30"	2-9/16"	\$455
FIF-3736-ED	37-3/4"	36"	2-9/16"	\$500
FIF-3742-ED	37-3/4"	42"	2-9/16"	\$559
FIF-3748-ED	37-3/4"	48"	2-9/16"	\$607

45" HIGH

PART #	HEIGHT	WIDTH	DEPTH	PRICE
FIF-4524-ED	45-3/4"	24"	2-9/16"	\$444
FIF-4530-ED	45-3/4"	30"	2-9/16"	\$475
FIF-4536-ED	45-3/4"	36"	2-9/16"	\$520
FIF-4542-ED	45-3/4"	42"	2-9/16"	\$579
FIF-4548-ED	45-3/4"	48"	2-9/16"	\$629

**Powered Frames** | with Duplex and Data Cutout (cont'd)

**53" HIGH**

PART #	HEIGHT	WIDTH	DEPTH	PRICE
FIF-5324-ED	53-3/4"	24"	2-9/16"	\$466
FIF-5330-ED	53-3/4"	30"	2-9/16"	\$497
FIF-5336-ED	53-3/4"	36"	2-9/16"	\$543
FIF-5342-ED	53-3/4"	42"	2-9/16"	\$601
FIF-5348-ED	53-3/4"	48"	2-9/16"	\$650

**61" HIGH**

PART #	HEIGHT	WIDTH	DEPTH	PRICE
FIF-6124-ED	61-3/4"	24"	2-9/16"	\$486
FIF-6130-ED	61-3/4"	30"	2-9/16"	\$518
FIF-6136-ED	61-3/4"	36"	2-9/16"	\$562
FIF-6142-ED	61-3/4"	42"	2-9/16"	\$623
FIF-6148-ED	61-3/4"	48"	2-9/16"	\$671

**69" HIGH**

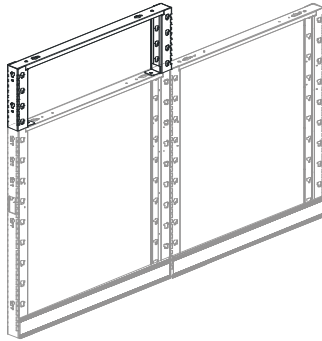
PART #	HEIGHT	WIDTH	DEPTH	PRICE
FIF-6924-ED	69-3/4"	24"	2-9/16"	\$508
FIF-6930-ED	69-3/4"	30"	2-9/16"	\$541
FIF-6936-ED	69-3/4"	36"	2-9/16"	\$585
FIF-6942-ED	69-3/4"	42"	2-9/16"	\$644
FIF-6948-ED	69-3/4"	48"	2-9/16"	\$693

**85" HIGH**

PART #	HEIGHT	WIDTH	DEPTH	PRICE
FIF-8524-ED	85-3/4"	24"	2-9/16"	\$551
FIF-8530-ED	85-3/4"	30"	2-9/16"	\$583
FIF-8536-ED	85-3/4"	36"	2-9/16"	\$628
FIF-8542-ED	85-3/4"	42"	2-9/16"	\$687
FIF-8548-ED	85-3/4"	48"	2-9/16"	\$735



# Stacking Frames



**DESCRIPTION**

This Stacking Frame attaches to the top of a Standard Frame, and holds individual tiles on both sides.

**NOTES**

- This frame also attaches to an adjacent frame, or connector of same height.
- No more than one stacking frame can be added to a base frame, to a maximum height of 85".
- Markerboards cannot be installed on stacking frames.
- Attachment hardware is included
- Standard components can hang from the stacking frame, if the frame is next to a post or another frame.
- Use standard connectors that equal the combined height.
- Top Cap can be removed from existing frame, and re-used on Stacking Frame
- Order Finished End separately.
- When using Stacking Frame next to a higher frame or connector, order Change of Height Trim Package.

**SPECIFICATION OPTIONS**

**product #:** see charts below  
**base material:** see page 12  
**base finish:** see page 12  
**top cap finish:** see page 12

**ORDER EXAMPLE**

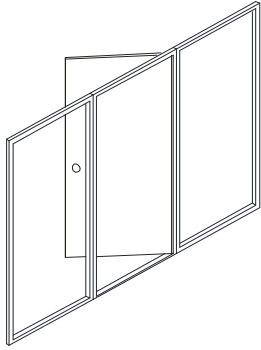
**product #:** FISF.1624  
**base material:** Metal  
**base finish:** CW  
**top cap finish:** CW

PART #	HEIGHT	WIDTH	DEPTH	PRICE
FISF.1624	16-3/4"	24"	1-11/16"	\$68
FISF.1630	16-3/4"	30"	1-11/16"	\$71
FISF.1636	16-3/4"	36"	1-11/16"	\$74
FISF.1642	16-3/4"	42"	1-11/16"	\$77
FISF.1648	16-3/4"	48"	1-11/16"	\$81

**NOTES**

Markerboards cannot be installed on stacking frames.

## Door Frames



Right hand swing shown

### DESCRIPTION

This Door Frame connects to an adjacent 85"H Frame. It comes with an 82 1/2"H door, a standard top cap, door knob, door stop, carpet grippers and hinges. Door Frame cannot be powered. Hinges and door knob have a satin aluminum finish standard.

### NOTES

- Specify L for left hand swing, and R for right hand swing.

### SPECIFICATION OPTIONS

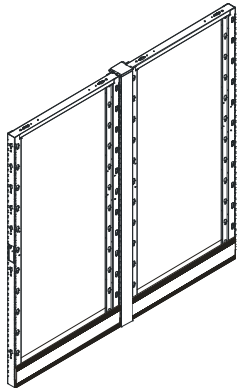
**product #:** see charts below  
**door, frame and top cap finish:** BU Black Umber, CW Cloud White, SV Silver

### ORDER EXAMPLE

**product #:** FIDOPA.8536L  
**door,frame and top cap finish:** BU Black Umber

PART #	HEIGHT	WIDTH	DEPTH	PRICE
FIDOPA.8536L	85-3/4"	36"	2-9/16"	\$2,928
FIDOPA.8536R	85-3/4"	36"	2-9/16"	\$2,928
FIDOPA.8542L	85-3/4"	42"	2-9/16"	\$3,007
FIDOPA.8542R	85-3/4"	42"	2-9/16"	\$3,007

## Frames, no Top Cap | Non-powered Frames A



### DESCRIPTION

Each frame holds individual tiles on either side and comes with, base covers, and adjustable glides.

### NOTES

- When connecting two frames of different heights, order the Finished End Change of Height separately.
- To add power above the worksurface, order Beltline Power Retro separately.

### SPECIFICATION OPTIONS

**product #:** see charts below  
**base material:** see page 12 (\$25 upcharge for metal finishes)  
**base finish:** see page 12  
**finish:** see page 12

### ORDER EXAMPLE

**product #:** FIFANTC-3724-N  
**base material:** Metal  
**base finish:** CW  
**finish:** CW

### 29" HIGH

PART #	HEIGHT	WIDTH	DEPTH	PRICE
FIFANTC-2924-N	29-3/4"	24"	2-9/16"	\$200
FIFANTC-2930-N	29-3/4"	30"	2-9/16"	\$219
FIFANTC-2936-N	29-3/4"	36"	2-9/16"	\$238
FIFANTC-2942-N	29-3/4"	42"	2-9/16"	\$257
FIFANTC-2948-N	29-3/4"	48"	2-9/16"	\$275

### 37" HIGH

PART #	HEIGHT	WIDTH	DEPTH	PRICE
FIFANTC-3724-N	37-3/4"	24"	2-9/16"	\$241
FIFANTC-3730-N	37-3/4"	30"	2-9/16"	\$262
FIFANTC-3736-N	37-3/4"	36"	2-9/16"	\$283
FIFANTC-3742-N	37-3/4"	42"	2-9/16"	\$303
FIFANTC-3748-N	37-3/4"	48"	2-9/16"	\$324

### 45" HIGH

PART #	HEIGHT	WIDTH	DEPTH	PRICE
FIFANTC-4524-N	45-3/4"	24"	2-9/16"	\$262
FIFANTC-4530-N	45-3/4"	30"	2-9/16"	\$282
FIFANTC-4536-N	45-3/4"	36"	2-9/16"	\$304
FIFANTC-4542-N	45-3/4"	42"	2-9/16"	\$324
FIFANTC-4548-N	45-3/4"	48"	2-9/16"	\$345

**53" HIGH**

PART #	HEIGHT	WIDTH	DEPTH	PRICE
FIFANTC-5324-N	53-3/4"	24"	2-9/16"	\$283
FIFANTC-5330-N	53-3/4"	30"	2-9/16"	\$305
FIFANTC-5336-N	53-3/4"	36"	2-9/16"	\$326
FIFANTC-5342-N	53-3/4"	42"	2-9/16"	\$346
FIFANTC-5348-N	53-3/4"	48"	2-9/16"	\$367

**61" HIGH**

PART #	HEIGHT	WIDTH	DEPTH	PRICE
FIFANTC-6124-N	61-3/4"	24"	2-9/16"	\$304
FIFANTC-6130-N	61-3/4"	30"	2-9/16"	\$326
FIFANTC-6136-N	61-3/4"	36"	2-9/16"	\$346
FIFANTC-6142-N	61-3/4"	42"	2-9/16"	\$367
FIFANTC-6148-N	61-3/4"	48"	2-9/16"	\$387

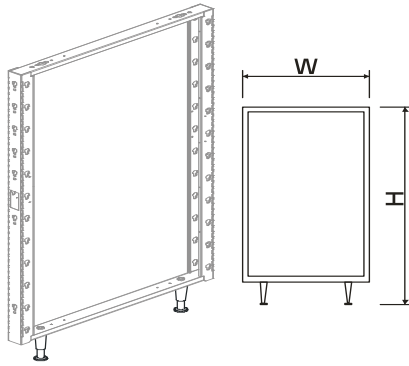
**69" HIGH**

PART #	HEIGHT	WIDTH	DEPTH	PRICE
FIFANTC-6924-N	69-3/4"	24"	2-9/16"	\$326
FIFANTC-6930-N	69-3/4"	30"	2-9/16"	\$347
FIFANTC-6936-N	69-3/4"	36"	2-9/16"	\$368
FIFANTC-6942-N	69-3/4"	42"	2-9/16"	\$388
FIFANTC-6948-N	69-3/4"	48"	2-9/16"	\$410

**85" HIGH**

PART #	HEIGHT	WIDTH	DEPTH	PRICE
FIFANTC-8524-N	85-3/4"	24"	2-9/16"	\$369
FIFANTC-8530-N	85-3/4"	30"	2-9/16"	\$390
FIFANTC-8536-N	85-3/4"	36"	2-9/16"	\$410
FIFANTC-8542-N	85-3/4"	42"	2-9/16"	\$431
FIFANTC-8548-N	85-3/4"	48"	2-9/16"	\$452

## Frames, no Top Cap | Non-powered Frames B



### DESCRIPTION

Each frame holds individual tiles on either side and comes with, base covers, and adjustable glides.

### NOTES

- When connecting two frames of different heights, order the Finished End Change of Height separately.
- To add power above the worksurface, order Beltline Power Retro separately.
- When using B-style frames, specify finished ends and connectors 5" shorter than the height of the panel

### SPECIFICATION OPTIONS

**product #:** see charts below  
**base material:** see page 12 (\$25 upcharge for metal finishes)  
**finish:** see page 12

### ORDER EXAMPLE

**product #:** FIFBNTC-3724-N  
**base material:** Metal  
**finish:** CW

### 29" HIGH

PART #	HEIGHT	WIDTH	DEPTH	PRICE
FIFBNTC-2924-N	29-3/4"	24"	2-9/16"	\$300
FIFBNTC-2930-N	29-3/4"	30"	2-9/16"	\$319
FIFBNTC-2936-N	29-3/4"	36"	2-9/16"	\$338
FIFBNTC-2942-N	29-3/4"	42"	2-9/16"	\$357
FIFBNTC-2948-N	29-3/4"	48"	2-9/16"	\$375

### 37" HIGH

FIFBNTC-3724-N	37-3/4"	24"	2-9/16"	\$341
FIFBNTC-3730-N	37-3/4"	30"	2-9/16"	\$362
FIFBNTC-3736-N	37-3/4"	36"	2-9/16"	\$383
FIFBNTC-3742-N	37-3/4"	42"	2-9/16"	\$403
FIFBNTC-3748-N	37-3/4"	48"	2-9/16"	\$424

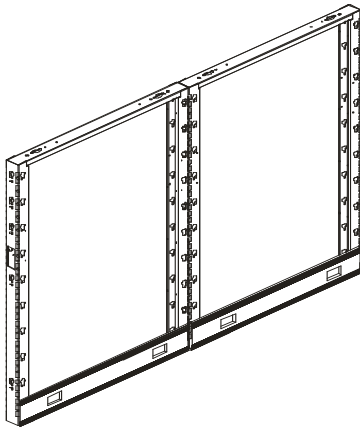
### 45" HIGH

FIFBNTC-4524-N	45-3/4"	24"	2-9/16"	\$362
FIFBNTC-4530-N	45-3/4"	30"	2-9/16"	\$382
FIFBNTC-4536-N	45-3/4"	36"	2-9/16"	\$404
FIFBNTC-4542-N	45-3/4"	42"	2-9/16"	\$424
FIFBNTC-4548-N	45-3/4"	48"	2-9/16"	\$445

### 53" HIGH

FIFBNTC-5324-N	53-3/4"	24"	2-9/16"	\$383
FIFBNTC-5330-N	53-3/4"	30"	2-9/16"	\$405
FIFBNTC-5336-N	53-3/4"	36"	2-9/16"	\$426
FIFBNTC-5342-N	53-3/4"	42"	2-9/16"	\$446
FIFBNTC-5348-N	53-3/4"	48"	2-9/16"	\$467

## Frames, no Top Cap | Powered with Duplex Cutouts



### DESCRIPTION

Each frame holds individual tiles on either side and comes with base covers, and adjustable glides. No top cap.

Power Retro is used to access power at the base level. It distributes up to four 20-amp circuits, and provides duplex locations on both sides of the frame. Power Retro and Frame-to-Frame Festoon are included.

### NOTES

- When connecting two frames of different heights, order the Finished End Change of Height separately.
- Power Retro and Frame-to-Frame Festoon are included.
- To add power above the worksurface, order Beltline Power Retro separately.
- 24"W Power Frames have base cover with one duplex location per side.
- 30", 36", 42", and 48"W Power Frames have base cover with two duplex locations per side.
- Cutouts are 2-31/32" by 1-7/8"
- Data port plates can snap into unoccupied duplex location.
- Data jacks should be the top feed, 90° type and not the back feed 180° type.

### SPECIFICATION OPTIONS

**product #:** see charts below  
**base material:** see page 12 (\$25 upcharge for metal finishes)  
**base finish:** see page 12  
**top cap finish:** see page 12

### ORDER EXAMPLE

**product #:** FIF-3724-E  
**base material:** Metal  
**base finish:** CW  
**top cap finish:** CW

### 29" HIGH

PART #	HEIGHT	WIDTH	DEPTH	PRICE
FIFNTC-2924-E	29-3/4"	24"	2-9/16"	\$363
FIFNTC-2930-E	29-3/4"	30"	2-9/16"	\$392
FIFNTC-2936-E	29-3/4"	36"	2-9/16"	\$432
FIFNTC-2942-E	29-3/4"	42"	2-9/16"	\$485
FIFNTC-2948-E	29-3/4"	48"	2-9/16"	\$530

### 37" HIGH

PART #	HEIGHT	WIDTH	DEPTH	PRICE
FIFNTC-3724-E	37-3/4"	24"	2-9/16"	\$422
FIFNTC-3730-E	37-3/4"	30"	2-9/16"	\$454
FIFNTC-3736-E	37-3/4"	36"	2-9/16"	\$498
FIFNTC-3742-E	37-3/4"	42"	2-9/16"	\$558
FIFNTC-3748-E	37-3/4"	48"	2-9/16"	\$607

### 45" HIGH

PART #	HEIGHT	WIDTH	DEPTH	PRICE
FIFNTC-4524-E	45-3/4"	24"	2-9/16"	\$443
FIFNTC-4530-E	45-3/4"	30"	2-9/16"	\$474
FIFNTC-4536-E	45-3/4"	36"	2-9/16"	\$519
FIFNTC-4542-E	45-3/4"	42"	2-9/16"	\$578
FIFNTC-4548-E	45-3/4"	48"	2-9/16"	\$628

**53" HIGH**

PART #	HEIGHT	WIDTH	DEPTH	PRICE
FIFNTC-5324-E	53-3/4"	24"	2-9/16"	\$466
FIFNTC-5330-E	53-3/4"	30"	2-9/16"	\$497
FIFNTC-5336-E	53-3/4"	36"	2-9/16"	\$542
FIFNTC-5342-E	53-3/4"	42"	2-9/16"	\$601
FIFNTC-5348-E	53-3/4"	48"	2-9/16"	\$649

**61" HIGH**

PART #	HEIGHT	WIDTH	DEPTH	PRICE
FIFNTC-6124-E	61-3/4"	24"	2-9/16"	\$486
FIFNTC-6130-E	61-3/4"	30"	2-9/16"	\$518
FIFNTC-6136-E	61-3/4"	36"	2-9/16"	\$562
FIFNTC-6142-E	61-3/4"	42"	2-9/16"	\$622
FIFNTC-6148-E	61-3/4"	48"	2-9/16"	\$670

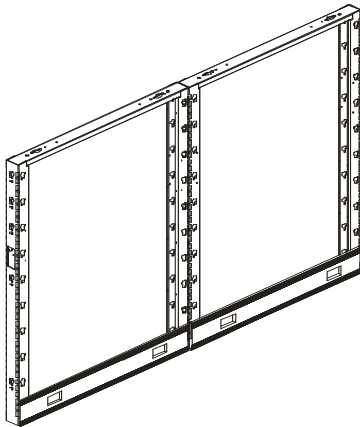
**69" HIGH**

PART #	HEIGHT	WIDTH	DEPTH	PRICE
FIFNTC-6924-E	69-3/4"	24"	2-9/16"	\$508
FIFNTC-6930-E	69-3/4"	30"	2-9/16"	\$539
FIFNTC-6936-E	69-3/4"	36"	2-9/16"	\$584
FIFNTC-6942-E	69-3/4"	42"	2-9/16"	\$643
FIFNTC-6948-E	69-3/4"	48"	2-9/16"	\$692

**85" HIGH**

PART #	HEIGHT	WIDTH	DEPTH	PRICE
FIFNTC-8524-E	85-3/4"	24"	2-9/16"	\$550
FIFNTC-8530-E	85-3/4"	30"	2-9/16"	\$582
FIFNTC-8536-E	85"-3/4	36"	2-9/16"	\$626
FIFNTC-8542-E	85-3/4"	42"	2-9/16"	\$686
FIFNTC-8548-E	85-3/4"	48"	2-9/16"	\$735

## Frames, no Top Cap | Powered with Duplex and Data Cutouts



### DESCRIPTION

Each frame holds individual tiles on either side and comes with base covers, and adjustable glides. No top cap.

Power Retro is used to access power at the base level. It distributes up to four 20-amp circuits, and provides duplex locations on both sides of the frame. Power Retro and Frame-to-Frame Festoon are included.

### NOTES

- When connecting two frames of different heights, order the Finished End Change of Height separately.
- Power Retro and Frame-to-Frame Festoon are included.
- To add power above the worksurface, order Beltline Power Retro separately.
- 24"W Power Frames have base cover with one duplex location per side.
- 30", 36", 42", and 48"W Power Frames have base cover with two duplex locations per side.
- Cutouts are 2-31/32" by 1-7/8"
- Data port plates can snap into unoccupied duplex location.
- Data jacks should be the top feed, 90° type and not the back feed 180° type.

### SPECIFICATION OPTIONS

**product #:** see charts below  
**base material:** see page 12 (\$25 upcharge for metal finishes)  
**base finish:** see page 12  
**top cap finish:** see page 12

### ORDER EXAMPLE

**product #:** FIFNTC-3724-ED  
**base material:** Metal  
**base finish:** CW  
**top cap finish:** CW

### 29" HIGH

PART #	HEIGHT	WIDTH	DEPTH	PRICE
FIFNTC-2924-ED	29-3/4"	24"	2-9/16"	\$364
FIFNTC-2930-ED	29-3/4"	30"	2-9/16"	\$392
FIFNTC-2936-ED	29-3/4"	36"	2-9/16"	\$433
FIFNTC-2942-ED	29-3/4"	42"	2-9/16"	\$486
FIFNTC-2948-ED	29-3/4"	48"	2-9/16"	\$530

### 37" HIGH

PART #	HEIGHT	WIDTH	DEPTH	PRICE
FIFNTC-3724-ED	37-3/4"	24"	2-9/16"	\$423
FIFNTC-3730-ED	37-3/4"	30"	2-9/16"	\$455
FIFNTC-3736-ED	37-3/4"	36"	2-9/16"	\$500
FIFNTC-3742-ED	37-3/4"	42"	2-9/16"	\$559
FIFNTC-3748-ED	37-3/4"	48"	2-9/16"	\$607

### 45" HIGH

PART #	HEIGHT	WIDTH	DEPTH	PRICE
FIFNTC-4524-ED	45-3/4"	24"	2-9/16"	\$444
FIFNTC-4530-ED	45-3/4"	30"	2-9/16"	\$475
FIFNTC-4536-ED	45-3/4"	36"	2-9/16"	\$520
FIFNTC-4542-ED	45-3/4"	42"	2-9/16"	\$579
FIFNTC-4548-ED	45-3/4"	48"	2-9/16"	\$629



**53" HIGH**

PART #	HEIGHT	WIDTH	DEPTH	PRICE
FIFNTC-5324-ED	53-3/4"	24"	2-9/16"	\$466
FIFNTC-5330-ED	53-3/4"	30"	2-9/16"	\$497
FIFNTC-5336-ED	53-3/4"	36"	2-9/16"	\$543
FIFNTC-5342-ED	53-3/4"	42"	2-9/16"	\$601
FIFNTC-5348-ED	53-3/4"	48"	2-9/16"	\$650

**61" HIGH**

PART #	HEIGHT	WIDTH	DEPTH	PRICE
FIFNTC-6124-ED	61-3/4"	24"	2-9/16"	\$486
FIFNTC-6130-ED	61-3/4"	30"	2-9/16"	\$518
FIFNTC-6136-ED	61-3/4"	36"	2-9/16"	\$562
FIFNTC-6142-ED	61-3/4"	42"	2-9/16"	\$623
FIFNTC-6148-ED	61-3/4"	48"	2-9/16"	\$671

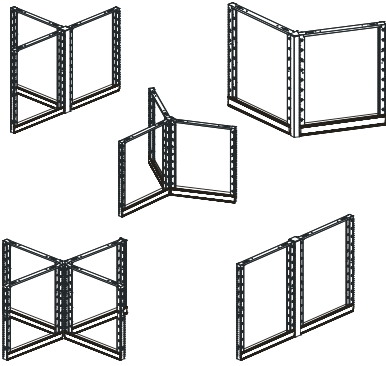
**69" HIGH**

PART #	HEIGHT	WIDTH	DEPTH	PRICE
FIFNTC-6924-ED	69-3/4"	24"	2-9/16"	\$508
FIFNTC-6930-ED	69-3/4"	30"	2-9/16"	\$541
FIFNTC-6936-ED	69-3/4"	36"	2-9/16"	\$585
FIFNTC-6942-ED	69-3/4"	42"	2-9/16"	\$644
FIFNTC-6948-ED	69-3/4"	48"	2-9/16"	\$693

**85" HIGH**

PART #	HEIGHT	WIDTH	DEPTH	PRICE
FIFNTC-8524-ED	85-3/4"	24"	2-9/16"	\$551
FIFNTC-8530-ED	85-3/4"	30"	2-9/16"	\$583
FIFNTC-8536-ED	85"-3/4	36"	2-9/16"	\$628
FIFNTC-8542-ED	85-3/4"	42"	2-9/16"	\$687
FIFNTC-8548-ED	85-3/4"	48"	2-9/16"	\$735

## Connectors



### DESCRIPTION

Connects two or more frames.

### SPECIFICATION OPTIONS

**product #:** see charts below  
**connector and top cap finish:** CW Cloud White, BU Black Umber

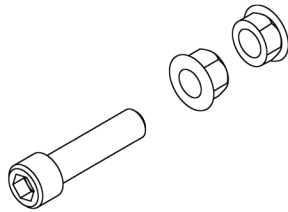
### NOTES

- Frame to Frame package needed to attach connectors to panels
- If frames are not of the same height, order Finished End Change of Height separately.
- Includes attachment hardware.

### ORDER EXAMPLE

**product #:** FIPTP.24  
**connector and top cap finish:** CW

## FRAME-TO-FRAME PACKAGE



PART #	HEIGHT	CONNECTIONS	PRICE
FIPTP.24	24"	2	\$11
FIPTP.29	29"	2	\$11
FIPTP.32	32"	3	\$16
FIPTP.37	37"	3	\$16
FIPTP.40	40"	3	\$16
FIPTP.45	45"	3	\$16
FIPTP.48	48"	3	\$16
FIPTP.53	53"	3	\$16
FIPTP.61	61"	4	\$21
FIPTP.69	69"	4	\$21
FIPTP.85	85"	5	\$27

### NOTES

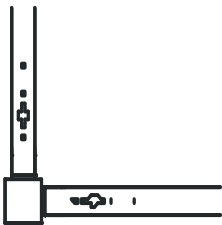
If frames are not of the same height, order Frame-to-Frame Package to match the height of the shorter frame.

This Frame-to-Frame Package joins two frames of the same or different heights in an inline situation.

- 29"H package includes two sets of hardware
- 37", 45" and 53" H packages include three sets
- 61" and 69"H packages include four sets
- 85"H package includes five sets

Includes connection hardware.

## 2-WAY 90° CONNECTOR



PART #	HEIGHT	WIDTH	DEPTH	PRICE
FIC2W90.24	24-3/4"	1-11/16"	1-11/16"	\$80
FIC2W90.29	29-3/4"	1-11/16"	1-11/16"	\$86
FIC2W90.32	32-3/4"	1-11/16"	1-11/16"	\$103
FIC2W90.37	37-3/4"	1-11/16"	1-11/16"	\$109
FIC2W90.40	40-3/4"	1-11/16"	1-11/16"	\$114
FIC2W90.45	45-3/4"	1-11/16"	1-11/16"	\$120
FIC2W90.48	48-3/4"	1-11/16"	1-11/16"	\$128
FIC2W90.53	53-3/4"	1-11/16"	1-11/16"	\$134
FIC2W90.61	61-3/4"	1-11/16"	1-11/16"	\$145
FIC2W90.69	69-3/4"	1-11/16"	1-11/16"	\$156
FIC2W90.85	85-3/4"	1-11/16"	1-11/16"	\$181

### NOTES

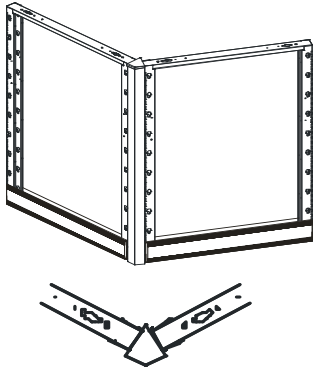
This connector joins two frames of the same or different heights at a 90° angle. It includes a top cap and attachment hardware.

If frames are not of the same height, order connector to match the height of the taller frame.

If frames are not of the same height as the connector, order Finished End Change of Height separately.

Connectors | (cont'd)

2-WAY 120° CONNECTOR



PART #	HEIGHT	WIDTH	DEPTH	PRICE
FIC2W120.24	24-3/4"	—	1-11/16"	\$78
FIC2W120.29	29-3/4"	—	1-11/16"	\$85
FIC2W120.32	32-3/4"	—	1-11/16"	\$101
FIC2W120.37	37-3/4"	—	1-11/16"	\$107
FIC2W120.40	40-3/4"	—	1-11/16"	\$112
FIC2W120.45	45-3/4"	—	1-11/16"	\$118
FIC2W120.48	48-3/4"	—	1-11/16"	\$126
FIC2W120.53	53-3/4"	—	1-11/16"	\$132
FIC2W120.61	61-3/4"	—	1-11/16"	\$142
FIC2W120.69	69-3/4"	—	1-11/16"	\$153
FIC2W120.85	85-3/4"	—	1-11/16"	\$179

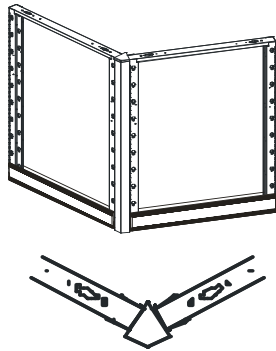
NOTES

This connector joins two frames of the same or different heights at a 120° angle. It includes a top cap and attachment hardware.

If frames are not of the same height, order connector to match the height of the taller frame.

If frames are not of the same height as the connector, order Finished End Change of Height separately.

2-WAY 135° CONNECTOR



PART #	HEIGHT	WIDTH	DEPTH	PRICE
FIC2W135.24	24-3/4"	—	1-11/16"	\$78
FIC2W135.29	29-3/4"	—	1-11/16"	\$85
FIC2W135.32	32-3/4"	—	1-11/16"	\$101
FIC2W135.37	37-3/4"	—	1-11/16"	\$107
FIC2W135.40	40-3/4"	—	1-11/16"	\$112
FIC2W135.45	45-3/4"	—	1-11/16"	\$118
FIC2W135.48	48-3/4"	—	1-11/16"	\$126
FIC2W135.53	53-3/4"	—	1-11/16"	\$132
FIC2W135.61	61-3/4"	—	1-11/16"	\$142
FIC2W135.69	69-3/4"	—	1-11/16"	\$153
FIC2W135.85	85-3/4"	—	1-11/16"	\$179

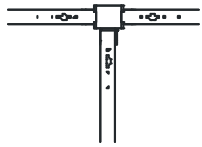
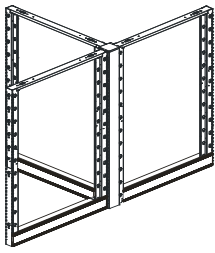
NOTES

This connector joins two frames of the same or different heights at a 135° angle. It includes a top cap and attachment hardware.

If frames are not of the same height, order connector to match the height of the taller frame.

If frames are not of the same height as the connector, order Finished End Change of Height separately.

**3-WAY 90° CONNECTOR**



PART #	HEIGHT	WIDTH	DEPTH	PRICE
FIC3W90.24	24-3/4"	1-11/16"	1-11/16"	\$80
FIC3W90.29	29-3/4"	1-11/16"	1-11/16"	\$85
FIC3W90.32	32-3/4"	1-11/16"	1-11/16"	\$104
FIC3W90.37	37-3/4"	1-11/16"	1-11/16"	\$110
FIC3W90.40	40-3/4"	1-11/16"	1-11/16"	\$117
FIC3W90.45	45-3/4"	1-11/16"	1-11/16"	\$123
FIC3W90.48	48-3/4"	1-11/16"	1-11/16"	\$140
FIC3W90.53	53-3/4"	1-11/16"	1-11/16"	\$150
FIC3W90.61	61-3/4"	1-11/16"	1-11/16"	\$156
FIC3W90.69	69-3/4"	1-11/16"	1-11/16"	\$165
FIC3W90.85	85-3/4"	1-11/16"	1-11/16"	\$191

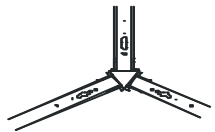
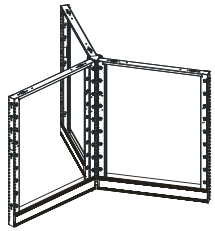
**NOTES**

This connector joins three frames of the same or different heights at a 90° angle. It includes a top cap and attachment hardware.

If frames are not of the same height, order connector to match the height of the taller frame.

If frames are not of the same height as the connector, order Finished End Change of Height separately.

**3-WAY 120° CONNECTOR**



PART #	HEIGHT	WIDTH	DEPTH	PRICE
FIC3W120.24	24-3/4"	—	1-11/16"	\$76
FIC3W120.29	29-3/4"	—	1-11/16"	\$81
FIC3W120.32	32-3/4"	—	1-11/16"	\$89
FIC3W120.37	37-3/4"	—	1-11/16"	\$95
FIC3W120.40	40-3/4"	—	1-11/16"	\$99
FIC3W120.45	45-3/4"	—	1-11/16"	\$104
FIC3W120.48	48-3/4"	—	1-11/16"	\$112
FIC3W120.53	53-3/4"	—	1-11/16"	\$118
FIC3W120.61	61-3/4"	—	1-11/16"	\$127
FIC3W120.69	69-3/4"	—	1-11/16"	\$136
FIC3W120.85	85-3/4"	—	1-11/16"	\$159

**NOTES**

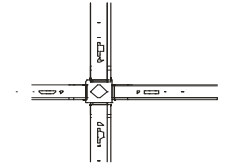
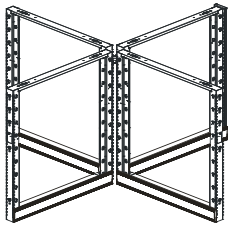
This connector joins three frames of the same or different heights at a 120° angle. It includes a top cap and attachment hardware.

If frames are not of the same height, order connector to match the height of the taller frame.

If frames are not of the same height as the connector, order Finished End Change of Height separately.

Connectors | (cont'd)

4-WAY 90° CONNECTOR



PART #	HEIGHT	WIDTH	DEPTH	PRICE
FIC4W90.24	24-3/4"	1-11/16"	1-11/16"	\$81
FIC4W90.29	29"-3/4"	1-11/16"	1-11/16"	\$86
FIC4W90.32	32-3/4"	1-11/16"	1-11/16"	\$97
FIC4W90.37	37-3/4"	1-11/16"	1-11/16"	\$101
FIC4W90.40	40-3/4"	1-11/16"	1-11/16"	\$106
FIC4W90.45	45-3/4"	1-11/16"	1-11/16"	\$111
FIC4W90.48	48-3/4"	1-11/16"	1-11/16"	\$115
FIC4W90.53	53-3/4"	1-11/16"	1-11/16"	\$121
FIC4W90.61	61-3/4"	1-11/16"	1-11/16"	\$135
FIC4W90.69	69-3/4"	1-11/16"	1-11/16"	\$145
FIC4W90.85	85-3/4"	1-11/16"	1-11/16"	\$170

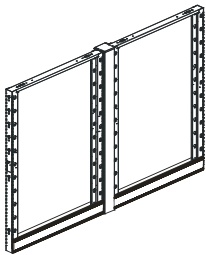
NOTES

This connector joins four frames of the same or different heights at a 90° angle. It includes a top cap, and attachment hardware.

If frames are not of the same height, order connector to match the height of the taller frame.

If frames are not of the same height as the connector, order Finished End Change of Height separately.

SPACER CONNECTOR



PART #	HEIGHT	WIDTH	DEPTH	PRICE
FISC.24	24-3/4"	2-9/16"	2-9/16"	\$122
FISC.29	29-3/4"	2-9/16"	2-9/16"	\$136
FISC.32	32-3/4"	2-9/16"	2-9/16"	\$149
FISC.37	37-3/4"	2-9/16"	2-9/16"	\$164
FISC.40	40-3/4"	2-9/16"	2-9/16"	\$174
FISC.45	45-3/4"	2-9/16"	2-9/16"	\$188
FISC.48	48-3/4"	2-9/16"	2-9/16"	\$200
FISC.53	53-3/4"	2-9/16"	2-9/16"	\$216
FISC.61	61-3/4"	2-9/16"	2-9/16"	\$252
FISC.69	69-3/4"	2-9/16"	2-9/16"	\$277
FISC.85	85-3/4"	2-9/16"	2-9/16"	\$328

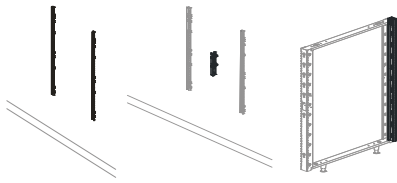
NOTES

This connector joins two frames of the same or different heights in a straight line. It includes a top cap and attachment hardware.

If frames are not of the same height, order connector to match the height of the taller frame.

If frames are not of the same height as the connector, order Finished End Change of Height separately.

## Other Connectors



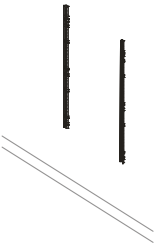
**DESCRIPTION**  
For wall mounting.

**SPECIFICATION OPTIONS**  
**product #:** see charts below  
**finish:** CW Cloud White, BU Black Umber

**NOTES**

**ORDER EXAMPLE**  
**product #:** FIWSST.40  
**finish:** CW

### WALL STRIP



PART #	HEIGHT	WIDTH	DEPTH	PRICE
FIWSST.40	40"	1"	.750"	\$48
FIWSST.56	56"	1"	.750"	\$63
FIWSST.64	64"	1"	.750"	\$72
FIWSST.80	80"	1"	.750"	\$88

**NOTES**  
This double slotted strip attaches to a wall, and supports hanging components. Two wall strips are needed to install a component or a tile. Two adjacent components can share support from a single wall strip in the middle.

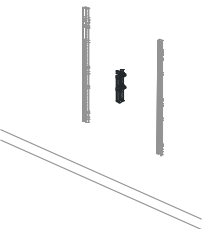
Double stacking overheads is possible only when the weight of wall strip is properly supported by the wall. For example: Using a backing secured to a stud or anchored to concrete or other wall types.

Wall Strip cannot be used to hold Window Tiles, Cable Access, Power and Data Access Tiles, or Markerboard.

To attach a Tile to the Wall Strip, order Tile Adapter separately.

Specify CW Cloud White or BU Black.

### TILE ADAPTER



PART #	HEIGHT	WIDTH	DEPTH	PRICE
FITA.08	8	—	—	\$17
FITA.16	16	—	—	\$34
FITA.32	32	—	—	\$43

**NOTES**  
Tile Adapters are used to hang tiles from a Wall Strip.

It cannot be used for a Window Tile, Cable Access, Power and Data Access Tiles, or Markerboard.

Sold in pairs.

Order Wall Strip separately.

Finish: Black only.

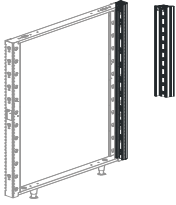
When using a combination of Tile Adapter, to achieve the correct height needed, 8"H Adapter must be used at the bottom.

Additional Notes:

- 8" tile adapters for use only at the bottom of a 40" or 56" wall strip. Not for use in any other position nor in 64/80" high wall strips
- Tile adapter dimension does not need to match the tiles installed (i.e. a 24" tile should be installed on a 32" tile adapter)
- When using a 32"H tile adapter, do not use an 8"H tile in the bottom position

Other Connectors | (cont'd)

WALL START



PART #	HEIGHT	WIDTH	DEPTH	PRICE
FIWST.24	24-3/4"	2-9/16"	29/32"	\$118
FIWST.29	29-3/4"	2-9/16"	29/32"	\$118
FIWST.32	32-3/4"	2-9/16"	29/32"	\$118
FIWST.37	37-3/4"	2-9/16"	29/32"	\$118
FIWST.40	40-3/4"	2-9/16"	29/32"	\$139
FIWST.45	45-3/4"	2-9/16"	29/32"	\$139
FIWST.48	48-3/4"	2-9/16"	29/32"	\$161
FIWST.53	53-3/4"	2-9/16"	29/32"	\$161
FIWST.61	61-3/4"	2-9/16"	29/32"	\$182
FIWST.69	69-3/4"	2-9/16"	29/32"	\$203
FIWST.85	85"-3/4"	2-9/16"	29/32"	\$246

NOTES

This Wall Start connects a frame or a connector of the same height, to a wall or column at a 90° angle.

Specify height of the Wall Start to match the height of the frame or connector.

## A/B Base Trim

**DESCRIPTION**

Finishes opening in connector when transitioning from A to B style.

**NOTES**

When mixing A/B frames, specify connector to match the A Style frame.

**SPECIFICATION OPTIONS**

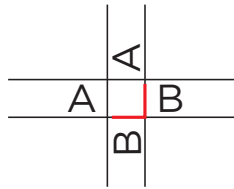
**product #:** see charts below  
**finish:** CW Cloud White, BU Black Umber

**ORDER EXAMPLE**

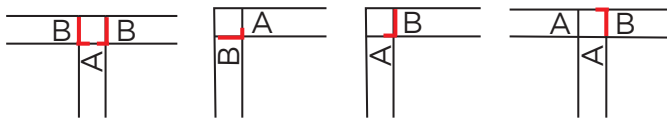
**product #:** FIABBT-1  
**finish:** CW

### A/B Base Trim

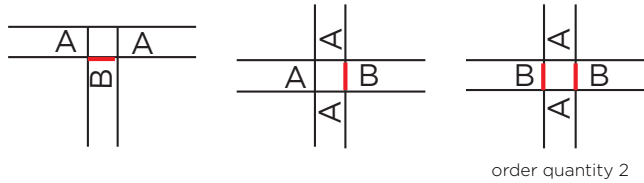
PART #	HEIGHT	WIDTH	DEPTH	PRICE	NOTES
FIABBT-1	-	-	-	\$25	For use at 4-Way 90°.



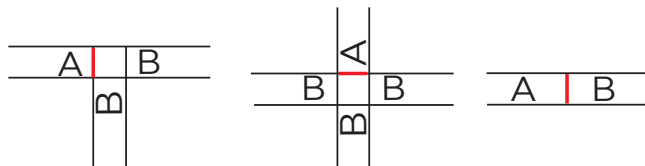
FIABBT-2	-	-	-	\$13	For use at 2/3-Way 90°.
----------	---	---	---	------	-------------------------



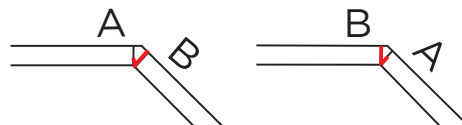
FIABBT-3	-	-	-	\$17	For use at 3/4-Way 180°.
----------	---	---	---	------	--------------------------



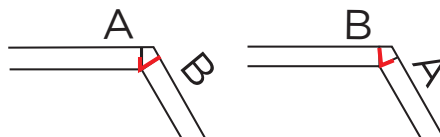
FIABBT-4	-	-	-	\$14	For use at frame end.
----------	---	---	---	------	-----------------------



FIABBT-5	-	-	-	\$12	For use at 2-Way 135°.
----------	---	---	---	------	------------------------

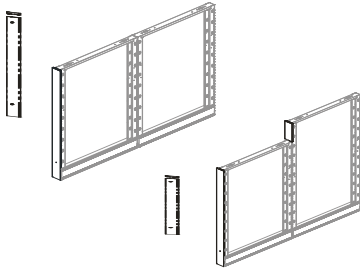


FIABBT-6	-	-	-	\$12	For use at 2-Way 120°.
----------	---	---	---	------	------------------------





## Finished Ends



DESCRIPTION

SPECIFICATION OPTIONS

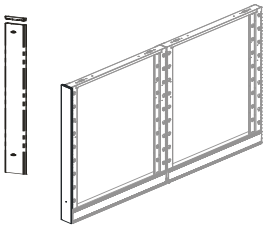
**product #:** see charts below  
**finish:** CW Cloud White, BU Black Umber

NOTES

ORDER EXAMPLE

**product #:** FIFE.29  
**finish:** CW

### FINISHED END



PART #	HEIGHT	WIDTH	DEPTH	PRICE
FIFE.24	24-3/4"	2-9/16"	25/64"	\$36
FIFE.29	29-3/4"	2-9/16"	25/64"	\$41
FIFE.32	32-3/4"	2-9/16"	25/64"	\$46
FIFE.37	37-3/4"	2-9/16"	25/64"	\$52
FIFE.40	40-3/4"	2-9/16"	25/64"	\$56
FIFE.45	45-3/4"	2-9/16"	25/64"	\$62
FIFE.48	48-3/4"	2-9/16"	25/64"	\$66
FIFE.53	53-3/4"	2-9/16"	25/64"	\$71
FIFE.61	61-3/4"	2-9/16"	25/64"	\$82
FIFE.69	69-3/4"	2-9/16"	25/64"	\$92
FIFE.85	85-3/4"	2-9/16"	25/64"	\$112

NOTES

This Finished End covers the exposed end of a frame.

### FINISHED END CHANGE OF HEIGHT FOR CONNECTORS



PART #	HEIGHT	WIDTH	DEPTH	PRICE
FIFECH.08	8"	2-9/16"	25/64"	\$14
FIFECH.16	16"	2-9/16"	25/64"	\$25
FIFECH.24	24"	2-9/16"	25/64"	\$35
FIFECH.32	32"	2-9/16"	25/64"	\$45
FIFECH.40	40"	2-9/16"	25/64"	\$54
FIFECH.48	48"	2-9/16"	25/64"	\$65
FIFECH.56	56"	2-9/16"	25/64"	\$75
FIFECH.08-37*	8"	2-9/16"	25/64"	\$14
FIFECH.16-45**	16"	2-9/16"	25/64"	\$25

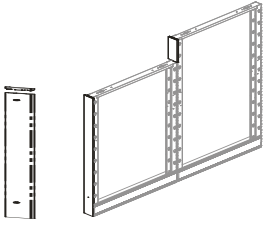
NOTES

This Finished End Change of Height covers the exposed end of a connector when joining frames and connectors of unequal heights.

Cover includes hardware to attach to frames or connectors of different heights.

\* Specifically for joining 29" high frame and 37" high connector  
 \*\* Specifically for joining 29" high frame and 45" high connector

**FINISHED END  
CHANGE OF HEIGHT  
FOR FRAMES**



PART #	HEIGHT	WIDTH	DEPTH	PRICE
FIFECHF.08	8"	2-9/16"	25/64"	\$14
FIFECHF.16	16"	2-9/16"	25/64"	\$25
FIFECHF.24	24"	2-9/16"	25/64"	\$35
FIFECHF.32	32"	2-9/16"	25/64"	\$45
FIFECHF.40	40"	2-9/16"	25/64"	\$54
FIFECHF.48	48"	2-9/16"	25/64"	\$65
FIFECHF.56	56"	2-9/16"	25/64"	\$75
FIFECHF.08-37*	8"	2-9/16"	25/64"	\$14

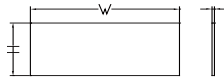
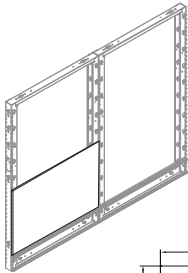
**NOTES**

This Finished End Change of Height covers the exposed end of a frame when joining frames and connectors of unequal heights.

Cover includes hardware to attach to frames or connectors of different heights.

\* Specifically for joining 29" frames to 37" frame inline.

## Fabric Covered Tile



### DESCRIPTION

Fabric Covered tiles attach to one side of a frame or Wall Strip. Only 8"H fabric tiles are magnetic. 16", 24" and 32" are tackable and acoustical.

### NOTES

- To attach to a Wall Strip, order the Tile Adapter separately.
- 24" of tile needs to be below the belt line power tile

### SPECIFICATION OPTIONS

**product #:** see charts below  
**fabric color:** see page 9

### ORDER EXAMPLE

**product #:** FIFT.0824  
**fabric color:** PF501-1 Sticks - Smoke

### 8"H TILES, MAGNETIC/NON-TACKABLE

PART #	HEIGHT	WIDTH	DEPTH	PRICE
FIFT.0824	8"	24"	7/16"	\$92
FIFT.0830	8"	30"	7/16"	\$99
FIFT.0836	8"	36"	7/16"	\$106
FIFT.0842	8"	42"	7/16"	\$114
FIFT.0848	8"	48"	7/16"	\$120

### 16"H TILES, TACKABLE/ACOUSTICAL

PART #	HEIGHT	WIDTH	DEPTH	PRICE
FIFT.1624	16"	24"	7/16"	\$60
FIFT.1630	16"	30"	7/16"	\$71
FIFT.1636	16"	36"	7/16"	\$78
FIFT.1642	16"	42"	7/16"	\$86
FIFT.1648	16"	48"	7/16"	\$92

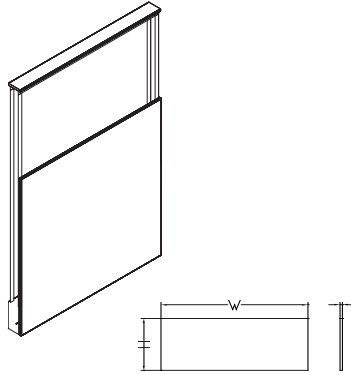
### 24"H TILES, TACKABLE/ACOUSTICAL

PART #	HEIGHT	WIDTH	DEPTH	PRICE
FIFT.2424	24"	24"	7/16"	\$78
FIFT.2430	24"	30"	7/16"	\$89
FIFT.2436	24"	36"	7/16"	\$101
FIFT.2442	24"	42"	7/16"	\$110
FIFT.2448	24"	48"	7/16"	\$120

### 32"H TILES, TACKABLE/ACOUSTICAL

PART #	HEIGHT	WIDTH	DEPTH	PRICE
FIFT.3224	32"	24"	7/16"	\$115
FIFT.3230	32"	30"	7/16"	\$135
FIFT.3236	32"	36"	7/16"	\$151
FIFT.3242	32"	42"	7/16"	\$167
FIFT.3248	32"	48"	7/16"	\$181

Tackable/Acoustical Tile | Tile to Floor Application



DESCRIPTION

Tackable/Acoustical Tiles are fabric covered, and attach to one side of a frame when not using a Leg or Raceway. It can also be used with Wall Strip. Attachment hardware is included.

NOTES

- To attach a Fabric Tile to a Wall Strip, order the Tile Adapter separately.

SPECIFICATION OPTIONS

**product #:** see charts below  
**fabric color:** see page 9

ORDER EXAMPLE

**product #:** FIFT.2924  
**fabric color:** PF501-1 Sticks - Smoke  
**tile finish:** CW

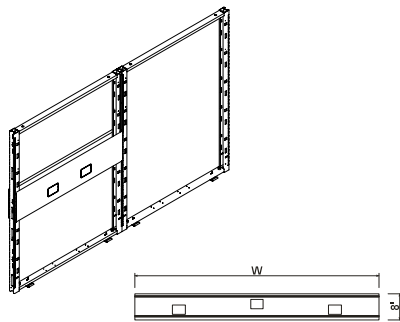
29”H TILES

PART #	HEIGHT	WIDTH	DEPTH	PRICE
FIFT.2924	29"	24"	7/16"	\$115
FIFT.2930	29"	30"	7/16"	\$135
FIFT.2936	29"	36"	7/16"	\$151
FIFT.2942	29"	42"	7/16"	\$167
FIFT.2948	29"	48"	7/16"	\$181

37”H TILES

PART #	HEIGHT	WIDTH	DEPTH	PRICE
FIFT.3724	37"	24"	7/16"	\$126
FIFT.3730	37"	30"	7/16"	\$146
FIFT.3736	37"	36"	7/16"	\$164
FIFT.3742	37"	42"	7/16"	\$180
FIFT.3748	37"	48"	7/16"	\$197

## Beltline Fabric Tile



### DESCRIPTION

8"H Tiles attach to one side of a frame of equal width, and has a fabric covered surface. It provides a channel for data cables along the frame above the worksurface. This tile cannot be used with wall strips or Tile Adapters.

### SPECIFICATION OPTIONS

**product #:** See charts below  
**fabric color:** See page 9  
**duplex window frame finish:** See page 12

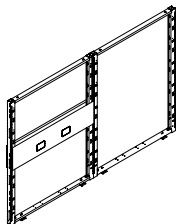
### NOTES

- 24"W Tiles have one power access.
- 30", 36", 42" and 48"W Tiles have two power accesses.
- To access power, order Beltline Power Retro separately.
- 24" of tile needs to be below the belt line power tile

### ORDER EXAMPLE

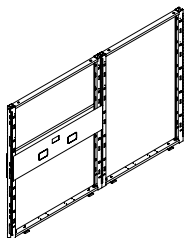
**product #:** FIFT.0824  
**fabric color:** PF501-1 Sticks - Smoke  
**duplex window frame finish:** CW

### BELTLINE POWER ACCESS TILE



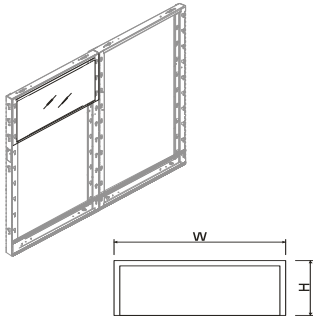
PART #	HEIGHT	WIDTH	DEPTH	PRICE	NOTES
FIBPA.0824	8"	24"	7/16"	\$69	Order Duplex separately.
FIBPA.0830	8"	30"	7/16"	\$88	Data Port Plate cannot be installed in this tile.
FIBPA.0836	8"	36"	7/16"	\$97	
FIBPA.0842	8"	42"	7/16"	\$104	24" of tile needs to be below the belt line power tile
FIBPA.0848	8"	48"	7/16"	\$112	

### BELTLINE POWER AND DATA ACCESS TILE



PART #	HEIGHT	WIDTH	DEPTH	PRICE	NOTES
FIBPDA.0824	8"	24"	7/16"	\$70	Data Port location is on the right side of a 24"W Tile, and in the center of the 30", 36", 42", and 48"W Tiles.
FIBPDA.0830	8"	30"	7/16"	\$89	
FIBPDA.0836	8"	36"	7/16"	\$98	
FIBPDA.0842	8"	42"	7/16"	\$105	Order Data Port Plate and Duplex separately.
FIBPDA.0848	8"	48"	7/16"	\$112	24" of tile needs to be below the belt line power tile

## Window Tile



### DESCRIPTION

Window Tiles attach to frames of the same width. Order one Window Tile per position, single pane glass, quantity (1) finishes both sides of frame.

### NOTES

- Do not use with Wall Strips, Tile Adapter, or Power Retro.
- Only Window Tile Stacking may be used with Stacking Frames.
- Window Tiles Top, Middle or Bottom cannot be used with Stacking Frames.
- Specify Tile Trim Finish.
- Position at top, middle or bottom only.
- Cannot be used as dry erase surface.

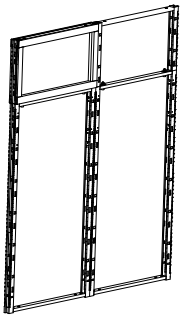
### SPECIFICATION OPTIONS

**product #:** see charts below  
**trim finish:** See page 12  
**tile glazing:** FR Frosted (available with Lead Time 6-8 weeks), TR Clear

### ORDER EXAMPLE

**product #:** FIWTT.1624  
**trim finish:** CW  
**tile glazing:** TR

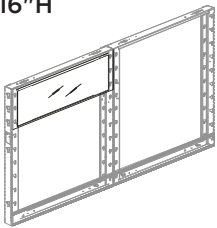
### WINDOW TILE STACKING 16"H



PART #	HEIGHT	WIDTH	DEPTH	PRICE
FIWTS.1624	16"	24"	2-9/16"	\$227
FIWTS.1630	16"	30"	2-9/16"	\$254
FIWTS.1636	16"	36"	2-9/16"	\$280
FIWTS.1642	16"	42"	2-9/16"	\$308
FIWTS.1648	16"	48"	2-9/16"	\$334

**NOTES**  
 This tile is used with Stacking Frames.  
 Order one Window Tile per position, single pane glass, quantity (1) finishes both sides of frame.  
 Call factory for availability.

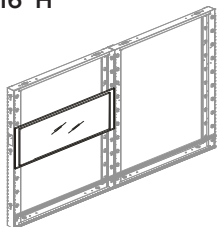
### WINDOW TILE TOP 16"H



PART #	HEIGHT	WIDTH	DEPTH	PRICE
FIWTT.1624	16"	24"	2-9/16"	\$227
FIWTT.1630	16"	30"	2-9/16"	\$254
FIWTT.1636	16"	36"	2-9/16"	\$280
FIWTT.1642	16"	42"	2-9/16"	\$308
FIWTT.1648	16"	48"	2-9/16"	\$334

**NOTES**  
 This tile is used at the top of a frame.  
 Order one Window Tile per position, single pane glass, quantity (1) finishes both sides of frame.

### WINDOW TILE MIDDLE 16"H

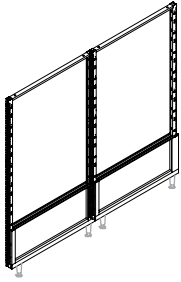


PART #	HEIGHT	WIDTH	DEPTH	PRICE
FIWTM.1624	16"	24"	2-9/16"	\$227
FIWTM.1630	16"	30"	2-9/16"	\$254
FIWTM.1636	16"	36"	2-9/16"	\$280
FIWTM.1642	16"	42"	2-9/16"	\$308
FIWTM.1648	16"	48"	2-9/16"	\$334

**NOTES**  
 This tile is used at the middle of a frame.  
 Order one Window Tile per position, single pane glass, quantity (1) finishes both sides of frame.

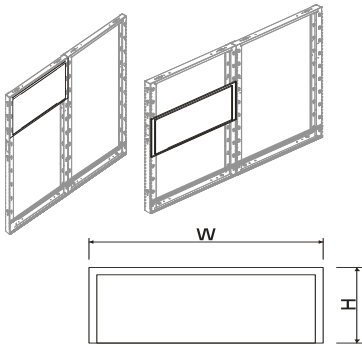
## Window Tile | (cont'd)

### WINDOW TILE BOTTOM 16"H



PART #	HEIGHT	WIDTH	DEPTH	PRICE	NOTES
FIWTB.1624	16"	24"	2-9/16"	\$227	This tile is used at the bottom of a frame. Order one Window Tile per position, single pane glass, quantity (1) finishes both sides of frame.
FIWTB.1630	16"	30"	2-9/16"	\$254	
FIWTB.1636	16"	36"	2-9/16"	\$280	
FIWTB.1642	16"	42"	2-9/16"	\$308	
FIWTB.1648	16"	48"	2-9/16"	\$334	

## Open Tile



### DESCRIPTION

Open Tile finishes a frame, and provides access for verbal or physical communication.

### NOTES

- Do not use with a Stacking Frame or Power Retro.
- One tile finishes both sides of a frame.
- Specify Tile Trim Finish.
- Position at top, middle or bottom only.

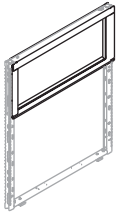
### SPECIFICATION OPTIONS

**product #:** see charts below  
**trim finish:** See page 12

### ORDER EXAMPLE

**product #:** FIOTT.1624  
**trim finish:** CW

### OPEN TILE TOP 16"H

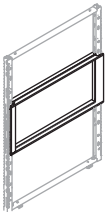


PART #	HEIGHT	WIDTH	DEPTH	PRICE
FIOTT.1624	16"	24"	2-9/16"	\$196
FIOTT.1630	16"	30"	2-9/16"	\$215
FIOTT.1636	16"	36"	2-9/16"	\$234
FIOTT.1642	16"	42"	2-9/16"	\$254
FIOTT.1648	16"	48"	2-9/16"	\$273

### NOTES

Open Tile Top finishes a frame, and provides access for verbal communication. This tile is used at the top of a frame.

### OPEN TILE MIDDLE 16"H

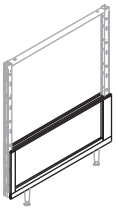


PART #	HEIGHT	WIDTH	DEPTH	PRICE
FIOTM.1624	16"	24"	2-9/16"	\$196
FIOTM.1630	16"	30"	2-9/16"	\$215
FIOTM.1636	16"	36"	2-9/16"	\$234
FIOTM.1642	16"	42"	2-9/16"	\$254
FIOTM.1648	16"	48"	2-9/16"	\$273

### NOTES

Open Tile Middle finishes a frame, and provides access for verbal communication, or improving air circulation.

### OPEN TILE BOTTOM 16"H



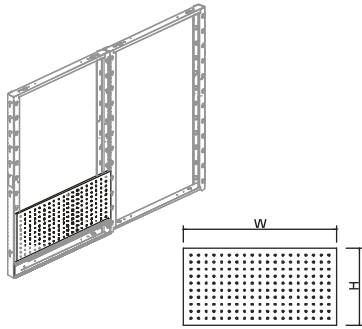
PART #	HEIGHT	WIDTH	DEPTH	PRICE
FIOTB.1624	16"	24"	2-9/16"	\$196
FIOTB.1630	16"	30"	2-9/16"	\$215
FIOTB.1636	16"	36"	2-9/16"	\$234
FIOTB.1642	16"	42"	2-9/16"	\$254
FIOTB.1648	16"	48"	2-9/16"	\$273

### NOTES

Open Tile Bottom finishes a frame, and provides access to wall or improving air circulation.



# Perforated Metal Tile



**DESCRIPTION**

Perforated Metal Tile has round holes. It attaches to one side of a frame.

**NOTES**

- Surface is magnetic.
- Tile may be placed at any position along the frame.

**SPECIFICATION OPTIONS**

**product #:** see charts below  
**trim finish:** See page 12

**ORDER EXAMPLE**

**product #:** FIPMT.0824  
**trim finish:** CW

**8”H**

PART #	HEIGHT	WIDTH	DEPTH	PRICE
FIPMT.0824	8”	24”	7/16”	\$47
FIPMT.0830	8”	30”	7/16”	\$53
FIPMT.0836	8”	36”	7/16”	\$60
FIPMT.0842	8”	42”	7/16”	\$66
FIPMT.0848	8”	48”	7/16”	\$74

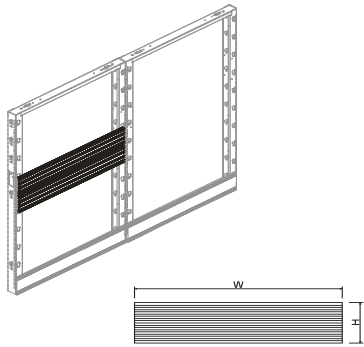
**16”H**

PART #	HEIGHT	WIDTH	DEPTH	PRICE
FIPMT.1624	16”	24”	7/16”	\$78
FIPMT.1630	16”	30”	7/16”	\$92
FIPMT.1636	16”	36”	7/16”	\$104
FIPMT.1642	16”	42”	7/16”	\$117
FIPMT.1648	16”	48”	7/16”	\$130

**24”H**

PART #	HEIGHT	WIDTH	DEPTH	PRICE
FIPMT.2424	24”	24”	7/16”	\$110
FIPMT.2430	24”	30”	7/16”	\$129
FIPMT.2436	24”	36”	7/16”	\$149
FIPMT.2442	24”	42”	7/16”	\$168
FIPMT.2448	24”	48”	7/16”	\$187

## Rail Tile



### DESCRIPTION

Rail Tile attaches to one side of a frame, or to wall strips.

### NOTES

- Attachment hardware is included.
- To attach Rail Tile to Wall Strips, order Tile Adapters separately.
- Order Rail Tools separately.
- Specify Paint Finish.

### SPECIFICATION OPTIONS

**product #:** See charts below  
**tile finish:** See page 12

### ORDER EXAMPLE

**product #:** FIRT.0824  
**tile finish:** CW

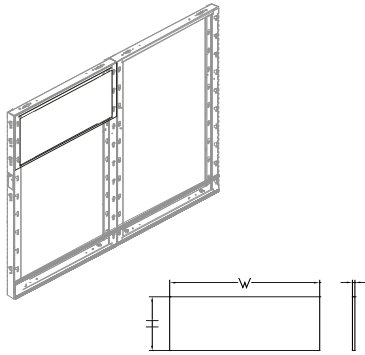
### 8"H

PART #	HEIGHT	WIDTH	DEPTH	PRICE
FIRT.0824	8"	24"	7/16"	\$114
FIRT.0830	8"	30"	7/16"	\$140
FIRT.0836	8"	36"	7/16"	\$167
FIRT.0842	8"	42"	7/16"	\$193
FIRT.0848	8"	48"	7/16"	\$220

### 16"H

PART #	HEIGHT	WIDTH	DEPTH	PRICE
FIRT.1624	16"	24"	7/16"	\$238
FIRT.1630	16"	30"	7/16"	\$296
FIRT.1636	16"	36"	7/16"	\$353
FIRT.1642	16"	42"	7/16"	\$409
FIRT.1648	16"	48"	7/16"	\$467

# Markerboard Tile



**DESCRIPTION**

Tile attaches to one side of a frame of the same width. Erasable writing surface.

**NOTES**

- Marker and eraser not included.
- Markerboard tiles cannot be installed at the beltline (29" – 37" above the floor).  
**Exception:** 45"H frames - markerboard tiles can be installed at the top of 45"H frames.
- Markerboard tiles cannot be installed on stacking frames, or wall strips and tile adaptors.

**SPECIFICATION OPTIONS**

**product #:** see charts below  
**tile trim finish:** See page 12

**ORDER EXAMPLE**

**product #:** FIMT.1624  
**tile trim finish:** CW

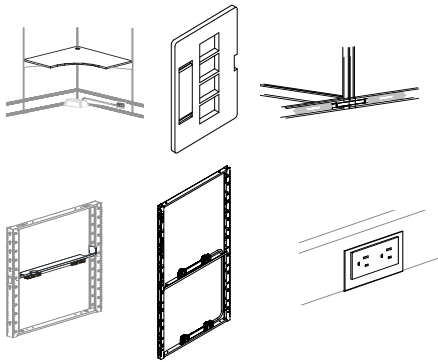
**16"H**

PART #	HEIGHT	WIDTH	DEPTH	PRICE
FIMT.1624	16"	24"	7/16"	\$187
FIMT.1630	16"	30"	7/16"	\$206
FIMT.1636	16"	36"	7/16"	\$224
FIMT.1642	16"	42"	7/16"	\$244
FIMT.1648	16"	48"	7/16"	\$263

**32"H**

PART #	HEIGHT	WIDTH	DEPTH	PRICE
FIMT.3224	32"	24"	7/16"	\$284
FIMT.3230	32"	30"	7/16"	\$314
FIMT.3236	32"	36"	7/16"	\$344
FIMT.3242	32"	42"	7/16"	\$374
FIMT.3248	32"	48"	7/16"	\$404

## Electrical Distribution



**DESCRIPTION**

**SPECIFICATION OPTIONS**

**product #:** see charts below  
**pole finish:** See page 12

**NOTES**

- Four 20-amp circuits.
- Circuit 1, 2, 3, 4 and 4 is dedicated.

Locks into base power harness or Beltline Power Retro.

Provides access to I, II, III, IIII circuit.

Provides dedicated circuit with "IIII" receptacle.

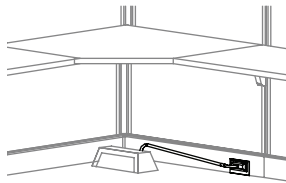
Receptacle -CONT are permanently marked CONTROLLED on the face of the receptacle and must be connected to a timer or motion sensor at the infeed location by a licensed electrician in order to comply with California T24

24" of tile needs to be below the belt line power tile

**ORDER EXAMPLE**

**product #:** FIBPE  
**pole finish:** CW

### BASE POWER ENTRY DIRECT CONNECT, 4-CIRCUIT



PART #	WIDTH	PRICE
FIBPE	6'	\$327

**NOTES**

Connects building power from a wall, floor monument or column to the base of a frame.

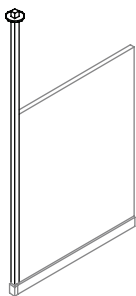
Plugs directly into the panel's electrical harness at receptacle location.

Distributes up to four 20-amp circuits.

Includes a 6' conduit that can be field-cut to the appropriate length.

**MUST BE WIRED BY A LICENSED ELECTRICIAN**

### CEILING POWER ENTRY INTERNAL DIRECT CONNECT, 4-CIRCUIT



PART #	HEIGHT	PRICE
FICPE.37	14'	\$692
FICPE.45	14'	\$692
FICPE.53	14'	\$692
FICPE.61	14'	\$692
FICPE.69	14'	\$692
FICPE.85	14'	\$692

**NOTES**

Connects to base of a Powered Frame at the end of the Power Retro.

Distributes up to four 20-amp circuits.

To attach at a:

- 2-Way connection point, order a 3-Way connector
- 3-Way connection point, order a 4-Way connector
- end of a panel run, order a Frame to Frame package separately.

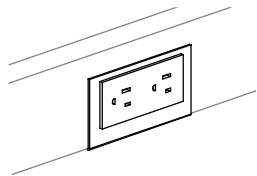
Includes a rigid 12' conduit when extended, encasing 14' of wire, 12' pole, bezel and end cap trim cover.

Pole can fit (70) cat. 6 cables along with power conduit.

**MUST BE WIRED BY A LICENSED ELECTRICIAN**

## Electrical Distribution | (cont'd)

### RECEPTACLE 4-CIRCUITS



PART #		PRICE
FIRECP4.I	circuit I	\$27
FIRECP4.II	circuit II	\$27
FIRECP4.III	circuit III	\$27
FIRECP4.IIII	circuit IIII (dedicated)	\$27
FIRECP4.II-CONT	Circuit II	\$27
FIRECP4.III-CONT	Circuit III	\$27

**NOTES**

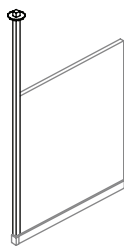
Locks into base power harness

Provides access to I, II, III, IIII circuit upto 20 Amps.

Provides dedicated circuit with "IIII" receptacle, upto 20 Amps.

Receptacle -CONT are permanently marked CONTROLLED on the face of the receptacle and must be connected to a timer or motion sensor at the infeed location by a licensed electrician in order to comply with California T24

### CEILING DATA ENTRY NON-POWERED



PART #	PRICE
FICDE.37	\$312
FICDE.45	\$312
FICDE.53	\$312
FICDE.61	\$312
FICDE.69	\$312
FICDE.85	\$312

**NOTES**

Routes data cables from the ceiling to the base of a panel.

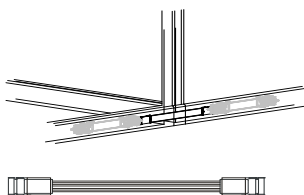
To attach at a:

- 2-Way connection point, order a 3-Way connector
- 3-Way connection point, order a 4-Way connector
- end of a panel run, order a Frame to Frame package separately.

Includes a rigid 12' conduit when extended, encasing 14' of wire, 12' pole, bezel and end cap trim cover.

Pole can fit (73) cat. 6 cables .

### PASS-THROUGH FESTOON 23" LONG 4-CIRCUIT



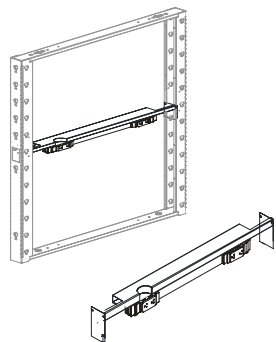
PART #	PRICE
FIPTF.23	\$95

**NOTES**

For use when connecting power in a straight line through a 3- or 4-Way Connector, or when connecting power at a 90° angle at a 2-, 3- or 4-Way Connector.

No festoon needed for straight line (included in power panel).

### BELTLINE POWER RETRO



PART #	WIDTH	PRICE
FIBPR.24	24"	\$248
FIBPR.30	30"	\$278
FIBPR.36	36"	\$318
FIBPR.42	42"	\$357
FIBPR.48	48"	\$394

**NOTES**

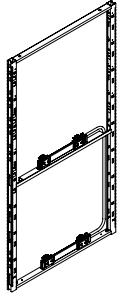
Used to access power and data above the worksurface level. It distributes up to four 20-amp circuits, and provides duplex locations on both sides of a frame.

Support Bar included.

Attachment hardware included. 24" of tile needs to be below the belt line power tile

INTERRA

**IN FRAME POWER JUMPER**



PART #	PRICE
FIIFPJ	\$418

**NOTES**

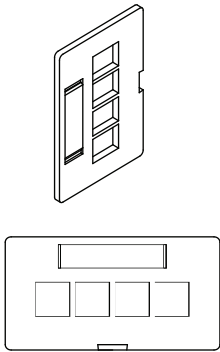
---

Used to connect power from the base to the Beltline Power Retro.

Cannot be used with a Window Tile, Open Tile, or Stacking Frame.

24" of tile needs to be below the belt line power tile

**DATA PORT PLATE**



PART #	HEIGHT	WIDTH	DEPTH	PRICE
FIDPP	2.125"	3.625"	0.750"	\$45
FIDPP.BL	2.125"	3.625"	0.250"	\$45

**NOTES**

---

Includes four port locations, and comes with one blank insert.

For use with Powered Frame with Data and Duplex Cutout, and Beltline Power and Data Access Tiles.

At the base data port plates can be installed in an unoccupied duplex location, or in a data location if applicable. Specify part number FIDPP.

At the belt line data port plates can be installed on a power/data belt line tile in the data cut out location only. Specify part number FIDPP.BL.

Available in CW, BU or SV

**POWER PANEL CONVERSION KIT**

PART #	PRICE
FIPFCK.24	\$198
FIPFCK.30	\$229
FIPFCK.36	\$254
FIPFCK.42	\$284
FIPFCK.48	\$314

**NOTES**

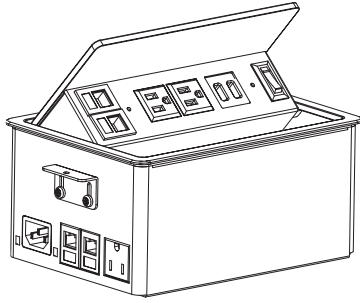
---

Includes power bar, base covers w/ power cutouts & festoon.

Order power infeed & Duplexes separately.

Specify base finish: BU, CW, SV

## Power Grommet Worksurface Mounted



### DESCRIPTION

Worksurface mounted power/data grommet

### NOTES

Includes 8' coiled power cord to connect to power source, or daisy chain to next power grommet  
Optional 10' coiled power cord is sold separately

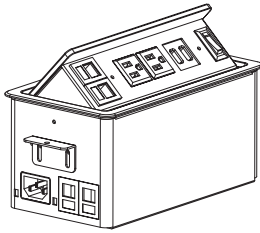
### SPECIFICATION OPTIONS

**product #:** see charts below  
**finish:** BA Brushed Aluminum, BC Brushed Charcoal or CW Cloud White (contact customer service for lead time)

### ORDER EXAMPLE

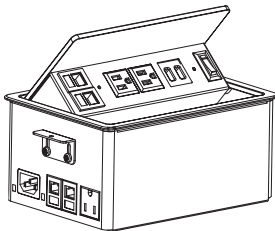
**product #:** FPWR.0608  
**finish:** BA Brushed Aluminum

### POWER GROMMET, 5x8



PART #	HEIGHT	WIDTH	DEPTH	PRICE	NOTES
FPWR.0508		8"	5"	\$550	<ul style="list-style-type: none"> <li>Worksurface mounted power/data grommet, 5x8</li> <li>Includes 8' coiled power cord to connect to power source</li> <li>Optional 10' coiled power cord is sold separately</li> <li><b>Above Worksurface:</b> (2) CAT6 data ports (out), (2) power outlets, (2) USB ports</li> <li><b>Below Worksurface:</b> (2) CAT6 data ports (in), (1) power outlet, Daisy Chain ports (in/out)</li> </ul>

### POWER GROMMET, 6x8

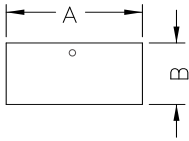
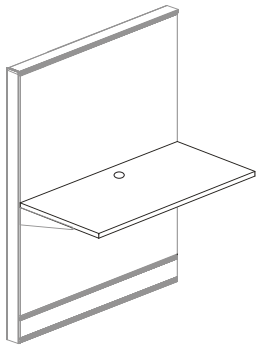


PART #	HEIGHT	WIDTH	DEPTH	PRICE	NOTES
FPWR.0608		8"	6"	\$550	<ul style="list-style-type: none"> <li>Worksurface mounted power/data grommet, 6x8</li> <li>Includes 8' coiled power cord to connect to power source</li> <li>Optional 10' coiled power cord is sold separately</li> <li><b>Above Worksurface:</b> (2) CAT6 data ports (out), (2) power outlets, (2) USB ports</li> <li><b>Below Worksurface:</b> (2) CAT6 data ports (in), (2) power outlets, Daisy Chain ports (in/out)</li> </ul>

### GROMMET COILED POWER CORD

PART #	HEIGHT	WIDTH	DEPTH	PRICE	NOTES
FPWRC-10		10'		\$60	<ul style="list-style-type: none"> <li>Optional 10' coiled power is sold separately.</li> </ul>

# Rectangular | Worksurface



**DESCRIPTION**

Worksurface has a laminate top and a PVC edge. 54" to 84" worksurfaces have a center support. Includes cantilever brackets, attachment hardware and mending plates for securing front of worksurface to adjacent worksurface

**NOTES**

- Worksurfaces 24"-48"W include 1 grommet in center rear, and worksurfaces 54"-84"W include 2 grommets 18" from each end.

When spanning a 3-Way or Spacer Connector, order the worksurface with "-3W" at the end of the part number.

Example: For a worksurface that would span two 30"W Frames with one 3-Way Connector, order the FIRWS.2460L-3W

**SPECIFICATION OPTIONS**

**product #:** see charts below  
**edge finish:** 3MM PVC, see page 12  
**worksurface finish:** see page 12

**ORDER EXAMPLE**

**product #:** FIRWS.2424L  
**edge finish:** LM  
**worksurface finish:** Light Maple, M1

**24" D WORKSURFACES**

PART #	HEIGHT	A	B	C	D	PRICE
FIRWS.2424L	1.25"	24"	24"	—	—	\$245
FIRWS.2430L	1.25"	30"	24"	—	—	\$282
FIRWS.2436L	1.25"	36"	24"	—	—	\$290
FIRWS.2442L	1.25"	42"	24"	—	—	\$358
FIRWS.2448L	1.25"	48"	24"	—	—	\$366
FIRWS.2454L	1.25"	54"	24"	—	—	\$420
FIRWS.2460L	1.25"	60"	24"	—	—	\$455
FIRWS.2466L	1.25"	66"	24"	—	—	\$510
FIRWS.2472L	1.25"	72"	24"	—	—	\$523
FIRWS.2478L	1.25"	78"	24"	—	—	\$614
FIRWS.2484L	1.25"	84"	24"	—	—	\$619

PART #	HEIGHT	A	B	C	D	PRICE
FIRWS.2424L-3W	1.25"	26.5"	24"	—	—	\$352
FIRWS.2430L-3W	1.25"	32.5"	24"	—	—	\$388
FIRWS.2436L-3W	1.25"	38.5"	24"	—	—	\$397
FIRWS.2442L-3W	1.25"	44.5"	24"	—	—	\$463
FIRWS.2448L-3W	1.25"	50.5"	24"	—	—	\$473
FIRWS.2454L-3W	1.25"	56.5"	24"	—	—	\$526
FIRWS.2460L-3W	1.25"	62.5"	24"	—	—	\$562
FIRWS.2466L-3W	1.25"	68.5"	24"	—	—	\$616
FIRWS.2472L-3W	1.25"	74.5"	24"	—	—	\$628
FIRWS.2478L-3W	1.25"	80.5"	24"	—	—	\$719
FIRWS.2484L-3W	1.25"	84"	24"	—	—	\$725

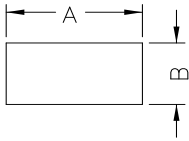
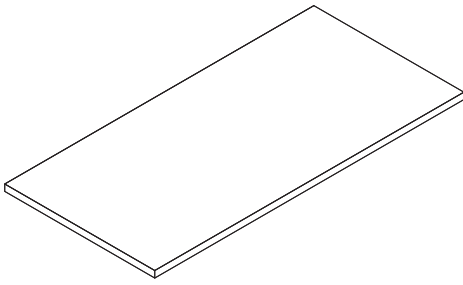


**30" D WORKSURFACES**

PART #	HEIGHT	A	B	C	D	PRICE
FIRWS.3024L	1.25"	24"	30"	—	—	\$327
FIRWS.3030L	1.25"	30"	30"	—	—	\$373
FIRWS.3036L	1.25"	36"	30"	—	—	\$383
FIRWS.3042L	1.25"	42"	30"	—	—	\$460
FIRWS.3048L	1.25"	48"	30"	—	—	\$470
FIRWS.3054L	1.25"	54"	30"	—	—	\$534
FIRWS.3060L	1.25"	60"	30"	—	—	\$571
FIRWS.3066L	1.25"	66"	30"	—	—	\$638
FIRWS.3072L	1.25"	72"	30"	—	—	\$651
FIRWS.3078L	1.25"	78"	30"	—	—	\$763
FIRWS.3084L	1.25"	84"	30"	—	—	\$769

PART #	HEIGHT	A	B	C	D	PRICE
FIRWS.3024L-3W	1.25"	26.5"	30"	—	—	\$433
FIRWS.3030L-3W	1.25"	32.5"	30"	—	—	\$480
FIRWS.3036L-3W	1.25"	38.5"	30"	—	—	\$488
FIRWS.3042L-3W	1.25"	44.5"	30"	—	—	\$565
FIRWS.3048L-3W	1.25"	50.5"	30"	—	—	\$576
FIRWS.3054L-3W	1.25"	56.5"	30"	—	—	\$640
FIRWS.3060L-3W	1.25"	62.5"	30"	—	—	\$678
FIRWS.3066L-3W	1.25"	68.5"	30"	—	—	\$744
FIRWS.3072L-3W	1.25"	74.5"	30"	—	—	\$757
FIRWS.3078L-3W	1.25"	80.5"	30"	—	—	\$870
FIRWS.3084L-3W	1.25"	86.5"	30"	—	—	\$876

## Rectangular Freestanding | Worksurface



### DESCRIPTION

Worksurface is supported by leg supports. It has a laminate top and a PVC edge.

### NOTES

- Worksurface only, no supports included
- Worksurfaces are actual size, not for use with panels or wall strips.
- For use with FITMLPS.XXXX leg support (See page page 124)

### SPECIFICATION OPTIONS

**product #:** see charts below  
**edge finish:** 3MM PVC, see page 12  
**worksurface finish:** see page 12

### ORDER EXAMPLE

**product #:** FIFRWS.2448  
**edge finish:** DT Dark Tone, E12  
**worksurface finish:** Light Maple, M1

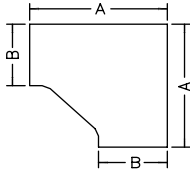
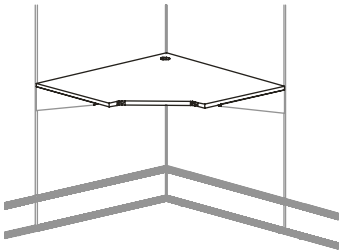
### 24" D WORKSURFACES

PART #	HEIGHT	A	B	C	D	PRICE
FIFRWS.2448L	1.25"	48"	24"	—	—	\$300
FIFRWS.2454L	1.25"	54"	24"	—	—	\$353
FIFRWS.2460L	1.25"	60"	24"	—	—	\$389
FIFRWS.2466L	1.25"	66"	24"	—	—	\$443
FIFRWS.2472L	1.25"	72"	24"	—	—	\$455

### 30" D WORKSURFACES

PART #	HEIGHT	A	B	C	D	PRICE	NOTES
FIFRWS.3048L	1.25"	48"	30"	—	—	\$404	
FIFRWS.3054L	1.25"	54"	30"	—	—	\$468	
FIFRWS.3060L	1.25"	60"	30"	—	—	\$505	
FIFRWS.3066L	1.25"	66"	30"	—	—	\$571	
FIFRWS.3072L	1.25"	72"	30"	—	—	\$584	

## 90° Notched and Curved Corner | Worksurface



### DESCRIPTION

Worksurface hangs from frames or Wall Strip. It has a laminate top and a PVC edge. It has 24"D or 30"D connecting sides.

### NOTES

- Includes cantilever brackets, one corner bracket, and attachment hardware.
- Worksurfaces have one grommet 4" from the corner.
- Mending plates are included with rectangular worksurfaces only.
- Order mending plates separately if placing a this worksurface next to another non-rectangular worksurface.

### SPECIFICATION OPTIONS

**product #:** see charts below  
**edge finish:** 3MM PVC, see page 12  
**worksurface finish:** see page 12

### ORDER EXAMPLE

**product #:** FICWS.2436L  
**edge finish:** LM  
**worksurface finish:** Light Maple, M1

### 90° NOTCHED CORNER

PART #	HEIGHT	A	B	C	D	PRICE
FICWS.2436L	1.25" *	36"	24"	—	—	\$473
FICWS.2442L	1.25"	42"	24"	—	—	\$584
FICWS.2448L	1.25"	48"	24"	—	—	\$619
FICWS.3036L	1.25" *	36"	30"	—	—	\$525
FICWS.3042L	1.25" *	42"	30"	—	—	\$636
FICWS.3048L	1.25"	48"	30"	—	—	\$670

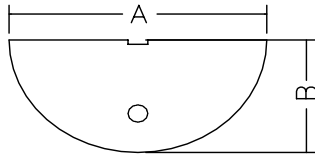
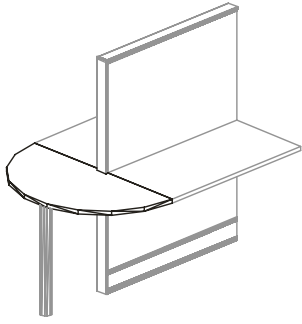
### NOTES

\* Corners are angled (not available with notched front edge)

### 90° CURVED CORNER

PART #	HEIGHT	A	B	C	D	PRICE
FICCWS.2436L	1.25"	36"	24"	—	—	\$473
FICCWS.2442L	1.25"	42"	24"	—	—	\$584
FICCWS.2448L	1.25"	48"	24"	—	—	\$619
FICCWS.3036L	1.25"	36"	30"	—	—	\$525
FICCWS.3042L	1.25"	42"	30"	—	—	\$636
FICCWS.3048L	1.25"	48"	30"	—	—	\$670

## Half Circle | Worksurface



### DESCRIPTION

This Half Circle Worksurface has a notch, and attaches to the end of two back to back Rectangular or Extended Corner Worksurfaces with a Frame divider (as shown in image). It has a laminate top, and a PVC edge. The notch allows for a flush fit at the end of the worksurface.

### NOTES

- Support column leg has a leveling glide and attaching hardware
- Ships unassembled
- Column leg finish: Black or CW
- Mending plates are included with rectangular worksurfaces only.
- Order mending plates separately if placing a this worksurface next to another non-rectangular worksurface.

### SPECIFICATION OPTIONS

**product #:** see charts below  
**edge finish:** 3MM PVC, See page 12  
**worksurface finish:** See page 12  
**support finish:** See page 12

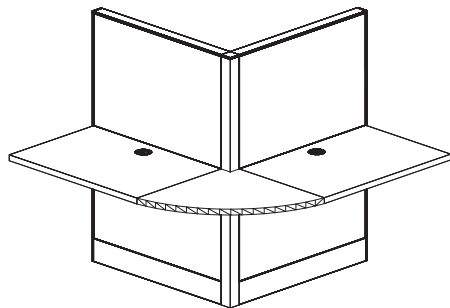
### ORDER EXAMPLE

**product #:** FIEHCWS.50L  
**edge finish:** LM  
**worksurface finish:** Light Maple, M1  
**support finish:** CW

## SQUARE EDGE HALF CIRCLE

PART #	HEIGHT	A	B	PRICE
FIEHCWS.50L	1.25"	53"	26"	\$889
FIEHCWS.60L	1.25"	63"	32"	\$1,003

## Quarter Round Top | Worksurface



### DESCRIPTION

This Worksurface attaches to the end of two worksurfaces at a 90° angle (as shown in image). It has a laminate top, and a PVC edge. Attachment hardware included

### NOTES

- Ships unassembled
- Includes (1) pair shared cantilevers & mending plates

### SPECIFICATION OPTIONS

**product #:** see charts below  
**edge finish:** 3MM PVC, See page 12  
**worksurface finish:** See page 12  
**support finish:** See page 12

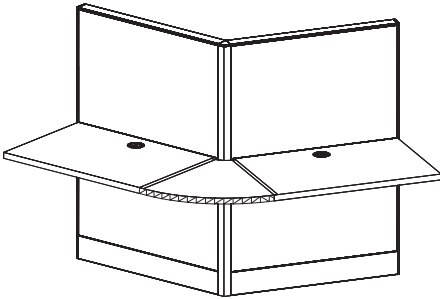
### ORDER EXAMPLE

**product #:** FIEQWS.24L  
**edge finish:** E1  
**worksurface finish:** M1  
**support finish:** CW

### QUARTER ROUND TOPS

PART #	HEIGHT	DEPTH	PRICE	NOTES
FIEQWS.24L	1.25"	24"	\$458	• Notched for 2 Way

## 120 ° WEDGE Top | Worksurface



### DESCRIPTION

This Worksurface attaches to the end of two worksurfaces at a 120 ° angle (as shown in image). It has a laminate top, and a PVC edge. Attachment hardware included

### NOTES

- Ships unassembled
- Includes (1) pair shared cantilevers & mending plates

### SPECIFICATION OPTIONS

**product #:** see charts below  
**edge finish:** 3MM PVC, See page 12  
**worksurface finish:** See page 12  
**support finish:** See page 12

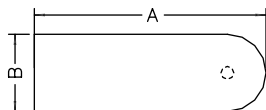
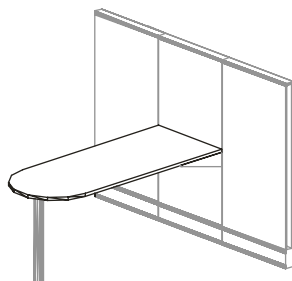
### ORDER EXAMPLE

**product #:** F1120QWG.24  
**edge finish:** E1  
**worksurface finish:** M1  
**support finish:** CW

### 120° WEDGE TOPS

PART #	HEIGHT	DEPTH	PRICE	NOTES
F1120WDG.24	1.25"	24"	\$458	• Notched for 2 Way

## D-Shaped Peninsula | Worksurface



### DESCRIPTION

Worksurface hangs from a frame or Wall Strips. It has a laminate top and a PVC edge.

### NOTES

- Support column leg has a leveling glide and attaching hardware.
- Ships unassembled.
- Column leg finish: Black or CW.
- Mending plates are included with rectangular worksurfaces only.
- Order mending plates separately if placing a this worksurface next to another non-rectangular worksurface.

### SPECIFICATION OPTIONS

**product #:** see charts below  
**edge finish:** 3MM PVC, See page 12  
**worksurface finish:** See page 12  
**support finish:** See page 12

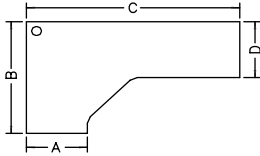
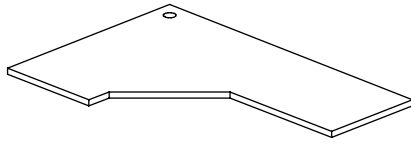
### ORDER EXAMPLE

**product #:** FIEDSP.2448L  
**edge finish:** LM  
**worksurface finish:** Light Maple, M1  
**support finish:** CW

### SQUARE EDGE D-SHAPED

PART #	HEIGHT	A	B	C	D	PRICE
FIEDSP.2448L	1.25"	48"	24"	—	—	\$537
FIEDSP.3048L	1.25"	48"	30"	—	—	\$587
FIEDSP.2460L	1.25"	60"	24"	—	—	\$597
FIEDSP.3060L	1.25"	60"	30"	—	—	\$651
FIEDSP.3072L	1.25"	72"	30"	—	—	\$712
FIEDSP.3672L	1.25"	72"	36"	—	—	\$785

## 90° Extended Notched Corner | Worksurface



Right Extended shown

### DESCRIPTION

Worksurface hangs from a frame or Wall Strips. It has a laminate top and a PVC edge. 54" to 84" worksurfaces have center support.

### NOTES

- Includes two grommets, cantilever brackets, one corner bracket, and attachment hardware.
- Worksurfaces have one grommet 4" from the corner of the worksurface and one grommet 18" from the extended end of the worksurface.
- Specify L for left extended and R for right extended.

When ordering a worksurface spanning a panel and a 3-Way or Spacer Connector, or two panels with a 3-Way or Spacer Connector in between the panels, you will need to:

- add 2 9/16" to the length of the worksurface
- add "-3W" to the part number
- add \$80 to the list price

Example:

Two 30" Frames with one 3-Way Connector equals to 62 9/16". In this case, order FIENCWS.24366024L-3W (\$442 + \$80 = \$522)

- Mending plates are included with rectangular worksurfaces only.
- Order mending plates separately if placing a this worksurface next to another non-rectangular worksurface.

### SPECIFICATION OPTIONS

**product #:** see charts below  
**edge finish:** 3MM PVC, see page 12  
**worksurface finish:** see page 12  
**left or right extended:** L for Left, R for Right

### ORDER EXAMPLE

**product #:** FIENCWS.24366024L  
**edge finish:** LM  
**worksurface finish:** Light Maple, M1  
**left or right extended:** L

### 24"D CONNECTING SIDE 24"D EXTENSION 36"D

PART #	HEIGHT	A	* B	C	D	PRICE
FIENCWS.24366024L	1.25"	24"	* 36"	60"	24"	\$628
FIENCWS.24366024R	1.25"	24"	* 36"	60"	24"	\$628
FIENCWS.24366624L	1.25"	24"	* 36"	66"	24"	\$700
FIENCWS.24366624R	1.25"	24"	* 36"	66"	24"	\$700
FIENCWS.24367224L	1.25"	24"	* 36"	72"	24"	\$711
FIENCWS.24367224R	1.25"	24"	* 36"	72"	24"	\$711
FIENCWS.24367824L	1.25"	24"	* 36"	78"	24"	\$852
FIENCWS.24367824R	1.25"	24"	* 36"	78"	24"	\$852
FIENCWS.24368424L	1.25"	24"	* 36"	84"	24"	\$861
FIENCWS.24368424R	1.25"	24"	36"	84"	24"	\$861

### NOTES

Corners are angled (not available with notched front edge)



**30"D CONNECTING SIDE  
30"D EXTENSION  
36"D**

PART #	HEIGHT	A	B	C	D	PRICE
FIENCWS.30366030L	1.25"	30"	* 36"	60"	30"	\$688
FIENCWS.30366030R	1.25"	30"	* 36"	60"	30"	\$688
FIENCWS.30366630L	1.25"	30"	* 36"	66"	30"	\$758
FIENCWS.30366630R	1.25"	30"	* 36"	66"	30"	\$758
FIENCWS.30367230L	1.25"	30"	* 36"	72"	30"	\$769
FIENCWS.30367230R	1.25"	30"	* 36"	72"	30"	\$769
FIENCWS.30367830L	1.25"	30"	* 36"	78"	30"	\$911
FIENCWS.30367830R	1.25"	30"	* 36"	78"	30"	\$911
FIENCWS.30368430L	1.25"	30"	* 36"	84"	30"	\$919
FIENCWS.30368430R	1.25"	30"	* 36"	84"	30"	\$919

NOTES  
Corners are angled (not available with notched front edge)

**24"D CONNECTING SIDE  
24"D EXTENSION  
42"D**

PART #	HEIGHT	A	B	C	D	PRICE
FIENCWS.24426024L	1.25"	24"	42"	60"	24"	\$756
FIENCWS.24426024R	1.25"	24"	42"	60"	24"	\$756
FIENCWS.24426624L	1.25"	24"	42"	66"	24"	\$850
FIENCWS.24426624R	1.25"	24"	42"	66"	24"	\$850
FIENCWS.24427224L	1.25"	24"	42"	72"	24"	\$863
FIENCWS.24427224R	1.25"	24"	42"	72"	24"	\$863
FIENCWS.24427824L	1.25"	24"	42"	78"	24"	\$1,045
FIENCWS.24427824R	1.25"	24"	42"	78"	24"	\$1,045
FIENCWS.24428424L	1.25"	24"	42"	84"	24"	\$1,058
FIENCWS.24428424R	1.25"	24"	42"	84"	24"	\$1,058

**30"D CONNECTING SIDE  
30"D EXTENSION  
42"D**

PART #	HEIGHT	A	B	C	D	PRICE
FIENCWS.30426030L	1.25"	30"	* 42"	60"	30"	\$814
FIENCWS.30426030R	1.25"	30"	* 42"	60"	30"	\$814
FIENCWS.30426630L	1.25"	30"	* 42"	66"	30"	\$909
FIENCWS.30426630R	1.25"	30"	* 42"	66"	30"	\$909
FIENCWS.30427230L	1.25"	30"	* 42"	72"	30"	\$921
FIENCWS.30427230R	1.25"	30"	* 42"	72"	30"	\$921
FIENCWS.30427830L	1.25"	30"	* 42"	78"	30"	\$1,104
FIENCWS.30427830R	1.25"	30"	* 42"	78"	30"	\$1,104
FIENCWS.30428430L	1.25"	30"	* 42"	84"	30"	\$1,117
FIENCWS.30428430R	1.25"	30"	* 42"	84"	30"	\$1,117

NOTES  
Corners are angled (not available with notched front edge)

**90° Extended Notched Corner** | Worksurface (cont'd)

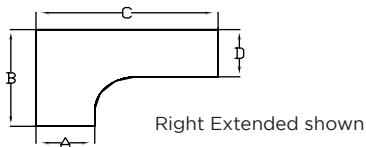
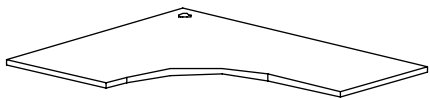
**24"D CONNECTING SIDE  
24"D EXTENSION  
48"D**

PART #	HEIGHT	A	B	C	D	PRICE
FIENCWS.24486024L	1.25"	24"	48"	60"	24"	\$767
FIENCWS.24486024R	1.25"	24"	48"	60"	24"	\$767
FIENCWS.24486624L	1.25"	24"	48"	66"	24"	\$863
FIENCWS.24486624R	1.25"	24"	48"	66"	24"	\$863
FIENCWS.24487224L	1.25"	24"	48"	72"	24"	\$882
FIENCWS.24487224R	1.25"	24"	48"	72"	24"	\$882
FIENCWS.24487824L	1.25"	24"	48"	78"	24"	\$1,075
FIENCWS.24487824R	1.25"	24"	48"	78"	24"	\$1,075
FIENCWS.24488424L	1.25"	24"	48"	84"	24"	\$1,080
FIENCWS.24488424R	1.25"	24"	48"	84"	24"	\$1,080

**30"D CONNECTING SIDE  
30"D EXTENSION  
48"D**

PART #	HEIGHT	A	B	C	D	PRICE
FIENCWS.30486030L	1.25"	30"	48"	60"	30"	\$826
FIENCWS.30486030R	1.25"	30"	48"	60"	30"	\$826
FIENCWS.30486630L	1.25"	30"	48"	66"	30"	\$921
FIENCWS.30486630R	1.25"	30"	48"	66"	30"	\$921
FIENCWS.30487230L	1.25"	30"	48"	72"	30"	\$942
FIENCWS.30487230R	1.25"	30"	48"	72"	30"	\$942
FIENCWS.30487830L	1.25"	30"	48"	78"	30"	\$1,133
FIENCWS.30487830R	1.25"	30"	48"	78"	30"	\$1,133
FIENCWS.30488430L	1.25"	30"	48"	84"	30"	\$1,139
FIENCWS.30488430R	1.25"	30"	48"	84"	30"	\$1,139

## 90° Extended Curved Corner | Worksurface



### DESCRIPTION

Worksurface hangs from a frame or Wall Strips. It has a laminate top and a PVC edge. 54" to 84" worksurfaces have center support.

### NOTES

- Includes two grommets, cantilever brackets, one corner bracket, and attachment hardware.
- Specify L for left extended, and R for right extended.
- Worksurfaces have one grommet 4" from the corner of the worksurface and one grommet 18" from the extended end of the worksurface.

When ordering a worksurface spanning a panel and a 3-Way or Spacer Connector, or two panels with a 3-Way or Spacer Connector in between the panels, you will need to:

- add 2 9/16" to the length of the worksurface
- add "-3W" to the part number
- add \$80 to the list price

Example: Two 30" Frames with one 3-Way Connector equals to 62 9/16". In this case, order FIECCWS.24366024L-3W (\$442 + \$80 = \$522)

- Mending plates are included with rectangular worksurfaces only.
- Order mending plates separately if placing a this worksurface next to another non-rectangular worksurface.

### SPECIFICATION OPTIONS

**product #:** see charts below  
**edge finish:** 3MM PVC, see page 12  
**worksurface finish:** see page 12  
**left or right extended:** L for Left, R for Right

### ORDER EXAMPLE

**product #:** FIECCWS.24366024L  
**edge finish:** LM  
**worksurface finish:** Light Maple, M1  
**left or right extended:** L

### 24"D CONNECTING SIDE 24"D EXTENSION 36"D

PART #	HEIGHT	A	B	C	D	PRICE
FIECCWS.24366024L	1.25"	24"	36"	60"	24"	\$628
FIECCWS.24366024R	1.25"	24"	36"	60"	24"	\$628
FIECCWS.24366624L	1.25"	24"	36"	66"	24"	\$700
FIECCWS.24366624R	1.25"	24"	36"	66"	24"	\$700
FIECCWS.24367224L	1.25"	24"	36"	72"	24"	\$711
FIECCWS.24367224R	1.25"	24"	36"	72"	24"	\$711
FIECCWS.24367824L	1.25"	24"	36"	78"	24"	\$852
FIECCWS.24367824R	1.25"	24"	36"	78"	24"	\$852
FIECCWS.24368424L	1.25"	24"	36"	84"	24"	\$861
FIECCWS.24368424R	1.25"	24"	36"	84"	24"	\$861

## 90° Extended Curved Corner | Worksurface (cont'd)

### 30"D CONNECTING SIDE 30"D EXTENSION 36"D

PART #	HEIGHT	A	B	C	D	PRICE
FIECCWS.30366030L	1.25"	30"	36"	60"	30"	\$688
FIECCWS.30366030R	1.25"	30"	36"	60"	30"	\$688
FIECCWS.30366630L	1.25"	30"	36"	66"	30"	\$758
FIECCWS.30366630R	1.25"	30"	36"	66"	30"	\$758
FIECCWS.30367230L	1.25"	30"	36"	72"	30"	\$769
FIECCWS.30367230R	1.25"	30"	36"	72"	30"	\$769
FIECCWS.30367830L	1.25"	30"	36"	78"	30"	\$911
FIECCWS.30367830R	1.25"	30"	36"	78"	30"	\$911
FIECCWS.30368430L	1.25"	30"	36"	84"	30"	\$919
FIECCWS.30368430R	1.25"	30"	36"	84"	30"	\$919

### 24"D CONNECTING SIDE 24"D EXTENSION 42"D

PART #	HEIGHT	A	B	C	D	PRICE
FIECCWS.24426024L	1.25"	24"	42"	60"	24"	\$756
FIECCWS.24426024R	1.25"	24"	42"	60"	24"	\$756
FIECCWS.24426624L	1.25"	24"	42"	66"	24"	\$850
FIECCWS.24426624R	1.25"	24"	42"	66"	24"	\$850
FIECCWS.24427224L	1.25"	24"	42"	72"	24"	\$863
FIECCWS.24427224R	1.25"	24"	42"	72"	24"	\$863
FIECCWS.24427824L	1.25"	24"	42"	78"	24"	\$1,045
FIECCWS.24427824R	1.25"	24"	42"	78"	24"	\$1,045
FIECCWS.24428424L	1.25"	24"	42"	84"	24"	\$1,058
FIECCWS.24428424R	1.25"	24"	42"	84"	24"	\$1,058

### 30"D CONNECTING SIDE 30"D EXTENSION 42"D

PART #	HEIGHT	A	B	C	D	PRICE
FIECCWS.30426030L	1.25"	30"	42"	60"	30"	\$814
FIECCWS.30426030R	1.25"	30"	42"	60"	30"	\$814
FIECCWS.30426630L	1.25"	30"	42"	66"	30"	\$909
FIECCWS.30426630R	1.25"	30"	42"	66"	30"	\$909
FIECCWS.30427230L	1.25"	30"	42"	72"	30"	\$921
FIECCWS.30427230R	1.25"	30"	42"	72"	30"	\$921
FIECCWS.30427830L	1.25"	30"	42"	78"	30"	\$1,104
FIECCWS.30427830R	1.25"	30"	42"	78"	30"	\$1,104
FIECCWS.30428430L	1.25"	30"	42"	84"	30"	\$1,117
FIECCWS.30428430R	1.25"	30"	42"	84"	30"	\$1,117

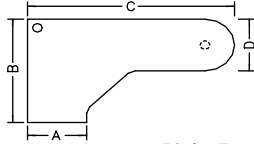
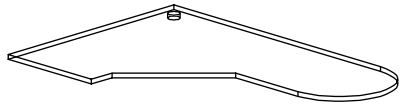
**24"D CONNECTING SIDE  
24"D EXTENSION  
48"D**

PART #	HEIGHT	A	B	C	D	PRICE
FIECCWS.24486024L	1.25"	24"	48"	60"	24"	\$767
FIECCWS.24486024R	1.25"	24"	48"	60"	24"	\$767
FIECCWS.24486624L	1.25"	24"	48"	66"	24"	\$863
FIECCWS.24486624R	1.25"	24"	48"	66"	24"	\$863
FIECCWS.24487224L	1.25"	24"	48"	72"	24"	\$882
FIECCWS.24487224R	1.25"	24"	48"	72"	24"	\$882
FIECCWS.24487824L	1.25"	24"	48"	78"	24"	\$1,075
FIECCWS.24487824R	1.25"	24"	48"	78"	24"	\$1,075
FIECCWS.24488424L	1.25"	24"	48"	84"	24"	\$1,080
FIECCWS.24488424R	1.25"	24"	48"	84"	24"	\$1,080

**30"D CONNECTING SIDE  
30"D EXTENSION  
48"D**

PART #	HEIGHT	A	B	C	D	PRICE
FIECCWS.30486030L	1.25"	30"	48"	60"	30"	\$826
FIECCWS.30486030R	1.25"	30"	48"	60"	30"	\$826
FIECCWS.30486630L	1.25"	30"	48"	66"	30"	\$921
FIECCWS.30486630R	1.25"	30"	48"	66"	30"	\$921
FIECCWS.30487230L	1.25"	30"	48"	72"	30"	\$942
FIECCWS.30487230R	1.25"	30"	48"	72"	30"	\$942
FIECCWS.30487830L	1.25"	30"	48"	78"	30"	\$1,133
FIECCWS.30487830R	1.25"	30"	48"	78"	30"	\$1,133
FIECCWS.30488430L	1.25"	30"	48"	84"	30"	\$1,139
FIECCWS.30488430R	1.25"	30"	48"	84"	30"	\$1,139

## 90° Extended Notched Corner Peninsula | Worksurface



Right Extended shown

### DESCRIPTION

Worksurface hangs from a frame or Wall Strips. It has a laminate top and a PVC edge.

### NOTES

- Includes one grommet, cantilever brackets, one corner bracket, column leg and attachment hardware.
- Worksurfaces have one grommet 4" from the corner of the worksurface.
- Specify L for left extended and R for right extended.
- Column leg finish: Black or CW
- Mending plates are included with rectangular worksurfaces only.
- Order mending plates separately if placing a this worksurface next to another non-rectangular worksurface.

### SPECIFICATION OPTIONS

**product #:** see charts below  
**edge finish:** 3MM PVC, See page 12  
**worksurface finish:** See page 12  
**left or right extended:** L for Left, R for Right  
**support finish:** See page 12

### ORDER EXAMPLE

**product #:** FIENCPWS.24366024L  
**edge finish:** LM  
**worksurface finish:** Light Maple, M1  
**support finish:** CW

### 24"D CONNECTING SIDE 24"D EXTENSION 36"D

PART #	HEIGHT	A	B	C	D	PRICE	NOTES
FIENCPWS.24366024L	1.25"	24"	* 36"	60"	24"	\$861	Corners are angled (not available with notched front edge)
FIENCPWS.24366024R	1.25"	24"	* 36"	60"	24"	\$861	
FIENCPWS.24366624L	1.25"	24"	* 36"	66"	24"	\$945	
FIENCPWS.24366624R	1.25"	24"	* 36"	66"	24"	\$945	
FIENCPWS.24367224L	1.25"	24"	* 36"	72"	24"	\$965	
FIENCPWS.24367224R	1.25"	24"	* 36"	72"	24"	\$965	
FIENCPWS.24367824L	1.25"	24"	* 36"	78"	24"	\$1,120	
FIENCPWS.24367824R	1.25"	24"	* 36"	78"	24"	\$1,120	
FIENCPWS.24368424L	1.25"	24"	* 36"	84"	24"	\$1,143	
FIENCPWS.24368424R	1.25"	24"	* 36"	84"	24"	\$1,143	

### 24"D CONNECTING SIDE 24"D EXTENSION 42"D

PART #	HEIGHT	A	B	C	D	PRICE
FIENCPWS.24426024L	1.25"	24"	42"	60"	24"	\$978
FIENCPWS.24426024R	1.25"	24"	42"	60"	24"	\$978
FIENCPWS.24426624L	1.25"	24"	42"	66"	24"	\$1,084
FIENCPWS.24426624R	1.25"	24"	42"	66"	24"	\$1,084
FIENCPWS.24427224L	1.25"	24"	42"	72"	24"	\$1,104
FIENCPWS.24427224R	1.25"	24"	42"	72"	24"	\$1,104
FIENCPWS.24427824L	1.25"	24"	42"	78"	24"	\$1,341
FIENCPWS.24427824R	1.25"	24"	42"	78"	24"	\$1,341
FIENCPWS.24428424L	1.25"	24"	42"	84"	24"	\$1,347
FIENCPWS.24428424R	1.25"	24"	42"	84"	24"	\$1,347

**24"D CONNECTING SIDE  
24"D EXTENSION  
48"D**

PART #	HEIGHT	A	B	C	D	PRICE
FIENCPWS.24486024L	1.25"	24"	48"	60"	24"	\$983
FIENCPWS.24486024R	1.25"	24"	48"	60"	24"	\$983
FIENCPWS.24486624L	1.25"	24"	48"	66"	24"	\$1,090
FIENCPWS.24486624R	1.25"	24"	48"	66"	24"	\$1,090
FIENCPWS.24487224L	1.25"	24"	48"	72"	24"	\$1,110
FIENCPWS.24487224R	1.25"	24"	48"	72"	24"	\$1,110
FIENCPWS.24487824L	1.25"	24"	48"	78"	24"	\$1,347
FIENCPWS.24487824R	1.25"	24"	48"	78"	24"	\$1,347
FIENCPWS.24488424L	1.25"	24"	48"	84"	24"	\$1,352
FIENCPWS.24488424R	1.25"	24"	48"	84"	24"	\$1,352

**24"D CONNECTING SIDE  
30"D EXTENSION  
36"D**

PART #	HEIGHT	A	B	C	D	PRICE
FIENCPWS.24366030L	1.25"	24"	36"	60"	30"	\$861
FIENCPWS.24366030R	1.25"	24"	36"	60"	30"	\$861
FIENCPWS.24366630L	1.25"	24"	36"	66"	30"	\$945
FIENCPWS.24366630R	1.25"	24"	36"	66"	30"	\$945
FIENCPWS.24367230L	1.25"	24"	36"	72"	30"	\$965
FIENCPWS.24367230R	1.25"	24"	36"	72"	30"	\$965
FIENCPWS.24367830L	1.25"	24"	36"	78"	30"	\$1,120
FIENCPWS.24367830R	1.25"	24"	36"	78"	30"	\$1,120
FIENCPWS.24368430L	1.25"	24"	36"	84"	30"	\$1,143
FIENCPWS.24368430R	1.25"	24"	36"	84"	30"	\$1,143

**24"D CONNECTING SIDE  
30"D EXTENSION  
42"D**

PART #	HEIGHT	A	B	C	D	PRICE
FIENCPWS.24426030L	1.25"	24"	42"	60"	30"	\$978
FIENCPWS.24426030R	1.25"	24"	42"	60"	30"	\$978
FIENCPWS.24426630L	1.25"	24"	42"	66"	30"	\$1,084
FIENCPWS.24426630R	1.25"	24"	42"	66"	30"	\$1,084
FIENCPWS.24427230L	1.25"	24"	42"	72"	30"	\$1,104
FIENCPWS.24427230R	1.25"	24"	42"	72"	30"	\$1,104
FIENCPWS.24427830L	1.25"	24"	42"	78"	30"	\$1,341
FIENCPWS.24427830R	1.25"	24"	42"	78"	30"	\$1,341
FIENCPWS.24428430L	1.25"	24"	42"	84"	30"	\$1,347
FIENCPWS.24428430R	1.25"	24"	42"	84"	30"	\$1,347

90° Extended Notched Corner | Peninsula Worksurface (cont'd)

24"D CONNECTING SIDE  
30"D EXTENSION  
48"D

PART #	HEIGHT	A	B	C	D	PRICE
FIENCPWS.24486030L	1.25"	24"	48"	60"	30"	\$983
FIENCPWS.24486030R	1.25"	24"	48"	60"	30"	\$983
FIENCPWS.24486630L	1.25"	24"	48"	66"	30"	\$1,090
FIENCPWS.24486630R	1.25"	24"	48"	66"	30"	\$1,090
FIENCPWS.24487230L	1.25"	24"	48"	72"	30"	\$1,110
FIENCPWS.24487230R	1.25"	24"	48"	72"	30"	\$1,110
FIENCPWS.24487830L	1.25"	24"	48"	78"	30"	\$1,347
FIENCPWS.24487830R	1.25"	24"	48"	78"	30"	\$1,347
FIENCPWS.24488430L	1.25"	24"	48"	84"	30"	\$1,352
FIENCPWS.24488430R	1.25"	24"	48"	84"	30"	\$1,352

30"D CONNECTING SIDE  
30"D EXTENSION  
36"D

PART #	HEIGHT	A	B	C	D	PRICE
FIENCPWS.30366030L	1.25"	30"	36"	60"	30"	\$919
FIENCPWS.30366030R	1.25"	30"	36"	60"	30"	\$919
FIENCPWS.30366630L	1.25"	30"	36"	66"	30"	\$1,004
FIENCPWS.30366630R	1.25"	30"	36"	66"	30"	\$1,004
FIENCPWS.30367230L	1.25"	30"	36"	72"	30"	\$1,025
FIENCPWS.30367230R	1.25"	30"	36"	72"	30"	\$1,025
FIENCPWS.30367830L	1.25"	30"	36"	78"	30"	\$1,179
FIENCPWS.30367830R	1.25"	30"	36"	78"	30"	\$1,179
FIENCPWS.30368430L	1.25"	30"	36"	84"	30"	\$1,203
FIENCPWS.30368430R	1.25"	30"	36"	84"	30"	\$1,203

NOTES

Corners are angled (not available with notched front edge)

30"D CONNECTING SIDE  
30"D EXTENSION  
42"D

PART #	HEIGHT	A	B	C	D	PRICE
FIENCPWS.30426030L	1.25"	30"	42"	60"	30"	\$1,037
FIENCPWS.30426030R	1.25"	30"	42"	60"	30"	\$1,037
FIENCPWS.30426630L	1.25"	30"	42"	66"	30"	\$1,144
FIENCPWS.30426630R	1.25"	30"	42"	66"	30"	\$1,144
FIENCPWS.30427230L	1.25"	30"	42"	72"	30"	\$1,164
FIENCPWS.30427230R	1.25"	30"	42"	72"	30"	\$1,164
FIENCPWS.30427830L	1.25"	30"	42"	78"	30"	\$1,363
FIENCPWS.30427830R	1.25"	30"	42"	78"	30"	\$1,363
FIENCPWS.30428430L	1.25"	30"	42"	84"	30"	\$1,386
FIENCPWS.30428430R	1.25"	30"	42"	84"	30"	\$1,386

NOTES

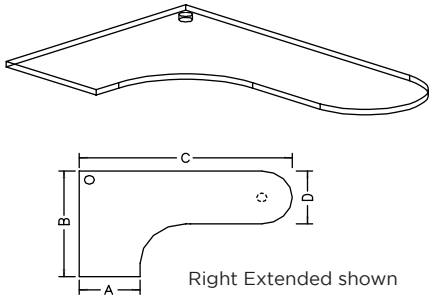
Corners are angled (not available with notched front edge)



**30"D CONNECTING SIDE  
30"D EXTENSION  
48"D**

PART #	HEIGHT	A	B	C	D	PRICE
FIENCPWS.30486030L	1.25"	30"	48"	60"	30"	\$1,043
FIENCPWS.30486030R	1.25"	30"	48"	60"	30"	\$1,043
FIENCPWS.30486630L	1.25"	30"	48"	66"	30"	\$1,150
FIENCPWS.30486630R	1.25"	30"	48"	66"	30"	\$1,150
FIENCPWS.30487230L	1.25"	30"	48"	72"	30"	\$1,170
FIENCPWS.30487230R	1.25"	30"	48"	72"	30"	\$1,170
FIENCPWS.30487830L	1.25"	30"	48"	78"	30"	\$1,367
FIENCPWS.30487830R	1.25"	30"	48"	78"	30"	\$1,367
FIENCPWS.30488430L	1.25"	30"	48"	84"	30"	\$1,392
FIENCPWS.30488430R	1.25"	30"	48"	84"	30"	\$1,392

## Extended Curved Corner Peninsula | Worksurface



**DESCRIPTION**

Worksurface hangs from a frame or Wall Strips. It has a laminate top and a PVC edge.

**NOTES**

- Includes one grommet, cantilever brackets, one corner bracket, column leg and attachment hardware.
- Worksurfaces have one grommet 4" from the corner of the worksurface.
- Specify L for left extended and R for right extended.
- Column leg finish: Black or CW
- Mending plates are included with rectangular worksurfaces only.
- Order mending plates separately if placing a this worksurface next to another non-rectangular worksurface.

**SPECIFICATION OPTIONS**

**product #:** see charts below  
**edge finish:** 3MM PVC, See page 12  
**worksurface finish:** See page 12  
**left or right extended:** L for Left, R for Right  
**support finish:** See page 12

**ORDER EXAMPLE**

**product #:** FIECCPWS.24366024L  
**edge finish:** LM  
**worksurface finish:** Light Maple, M1  
**support finish:** CW

**24"D CONNECTING SIDE  
 24"D EXTENSION  
 36"D**

PART #	HEIGHT	A	B	C	D	PRICE
FIECCPWS.24366024L	1.25"	24"	36"	60"	24"	\$861
FIECCPWS.24366024R	1.25"	24"	36"	60"	24"	\$861
FIECCPWS.24366624L	1.25"	24"	36"	66"	24"	\$945
FIECCPWS.24366624R	1.25"	24"	36"	66"	24"	\$945
FIECCPWS.24367224L	1.25"	24"	36"	72"	24"	\$965
FIECCPWS.24367224R	1.25"	24"	36"	72"	24"	\$965
FIECCPWS.24367824L	1.25"	24"	36"	78"	24"	\$1,120
FIECCPWS.24367824R	1.25"	24"	36"	78"	24"	\$1,120
FIECCPWS.24368424L	1.25"	24"	36"	84"	24"	\$1,143
FIECCPWS.24368424R	1.25"	24"	36"	84"	24"	\$1,143

**24"D CONNECTING SIDE  
 24"D EXTENSION  
 42"D**

PART #	HEIGHT	A	B	C	D	PRICE
FIECCPWS.24426024L	1.25"	24"	42"	60"	24"	\$978
FIECCPWS.24426024R	1.25"	24"	42"	60"	24"	\$978
FIECCPWS.24426624L	1.25"	24"	42"	66"	24"	\$1,084
FIECCPWS.24426624R	1.25"	24"	42"	66"	24"	\$1,084
FIECCPWS.24427224L	1.25"	24"	42"	72"	24"	\$1,104
FIECCPWS.24427224R	1.25"	24"	42"	72"	24"	\$1,104
FIECCPWS.24427824L	1.25"	24"	42"	78"	24"	\$1,341
FIECCPWS.24427824R	1.25"	24"	42"	78"	24"	\$1,341
FIECCPWS.24428424L	1.25"	24"	42"	84"	24"	\$1,347
FIECCPWS.24428424R	1.25"	24"	42"	84"	24"	\$1,347

**24"D CONNECTING SIDE  
24"D EXTENSION  
48"D**

PART #	HEIGHT	A	B	C	D	PRICE
FIECCPWS.24486024L	1.25"	24"	48"	60"	24"	\$983
FIECCPWS.24486024R	1.25"	24"	48"	60"	24"	\$983
FIECCPWS.24486624L	1.25"	24"	48"	66"	24"	\$1,090
FIECCPWS.24486624R	1.25"	24"	48"	66"	24"	\$1,090
FIECCPWS.24487224L	1.25"	24"	48"	72"	24"	\$1,110
FIECCPWS.24487224R	1.25"	24"	48"	72"	24"	\$1,110
FIECCPWS.24487824L	1.25"	24"	48"	78"	24"	\$1,347
FIECCPWS.24487824R	1.25"	24"	48"	78"	24"	\$1,347
FIECCPWS.24488424L	1.25"	24"	48"	84"	24"	\$1,352
FIECCPWS.24488424R	1.25"	24"	48"	84"	24"	\$1,352

**24"D CONNECTING SIDE  
30"D EXTENSION  
36"D**

PART #	HEIGHT	A	B	C	D	PRICE
FIECCPWS.24366030L	1.25"	24"	36"	60"	30"	\$861
FIECCPWS.24366030R	1.25"	24"	36"	60"	30"	\$861
FIECCPWS.24366630L	1.25"	24"	36"	66"	30"	\$945
FIECCPWS.24366630R	1.25"	24"	36"	66"	30"	\$945
FIECCPWS.24367230L	1.25"	24"	36"	72"	30"	\$965
FIECCPWS.24367230R	1.25"	24"	36"	72"	30"	\$965
FIECCPWS.24367830L	1.25"	24"	36"	78"	30"	\$1,120
FIECCPWS.24367830R	1.25"	24"	36"	78"	30"	\$1,120
FIECCPWS.24368430L	1.25"	24"	36"	84"	30"	\$1,143
FIECCPWS.24368430R	1.25"	24"	36"	84"	30"	\$1,143

**24"D CONNECTING SIDE  
30"D EXTENSION  
42"D**

PART #	HEIGHT	A	B	C	D	PRICE
FIECCPWS.24426030L	1.25"	24"	42"	60"	30"	\$978
FIECCPWS.24426030R	1.25"	24"	42"	60"	30"	\$978
FIECCPWS.24426630L	1.25"	24"	42"	66"	30"	\$1,084
FIECCPWS.24426630R	1.25"	24"	42"	66"	30"	\$1,084
FIECCPWS.24427230L	1.25"	24"	42"	72"	30"	\$1,104
FIECCPWS.24427230R	1.25"	24"	42"	72"	30"	\$1,104
FIECCPWS.24427830L	1.25"	24"	42"	78"	30"	\$1,341
FIECCPWS.24427830R	1.25"	24"	42"	78"	30"	\$1,341
FIECCPWS.24428430L	1.25"	24"	42"	84"	30"	\$1,347
FIECCPWS.24428430R	1.25"	24"	42"	84"	30"	\$1,347

## Extended Curved Corner Peninsula | Worksurface (cont'd)

### 24"D CONNECTING SIDE 30"D EXTENSION 48"D

PART #	HEIGHT	A	B	C	D	PRICE
FIECCPWS.24486030L	1.25"	24"	48"	60"	30"	\$983
FIECCPWS.24486030R	1.25"	24"	48"	60"	30"	\$983
FIECCPWS.24486630L	1.25"	24"	48"	66"	30"	\$1,090
FIECCPWS.24486630R	1.25"	24"	48"	66"	30"	\$1,090
FIECCPWS.24487230L	1.25"	24"	48"	72"	30"	\$1,110
FIECCPWS.24487230R	1.25"	24"	48"	72"	30"	\$1,110
FIECCPWS.24487830L	1.25"	24"	48"	78"	30"	\$1,347
FIECCPWS.24487830R	1.25"	24"	48"	78"	30"	\$1,347
FIECCPWS.24488430L	1.25"	24"	48"	84"	30"	\$1,352
FIECCPWS.24488430R	1.25"	24"	48"	84"	30"	\$1,352

### 30"D CONNECTING SIDE 30"D EXTENSION 36"D

PART #	HEIGHT	A	B	C	D	PRICE
FIECCPWS.30366030L	1.25"	30"	36"	60"	30"	\$919
FIECCPWS.30366030R	1.25"	30"	36"	60"	30"	\$919
FIECCPWS.30366630L	1.25"	30"	36"	66"	30"	\$1,004
FIECCPWS.30366630R	1.25"	30"	36"	66"	30"	\$1,004
FIECCPWS.30367230L	1.25"	30"	36"	72"	30"	\$1,025
FIECCPWS.30367230R	1.25"	30"	36"	72"	30"	\$1,025
FIECCPWS.30367830L	1.25"	30"	36"	78"	30"	\$1,179
FIECCPWS.30367830R	1.25"	30"	36"	78"	30"	\$1,179
FIECCPWS.30368430L	1.25"	30"	36"	84"	30"	\$1,203
FIECCPWS.30368430R	1.25"	30"	36"	84"	30"	\$1,203

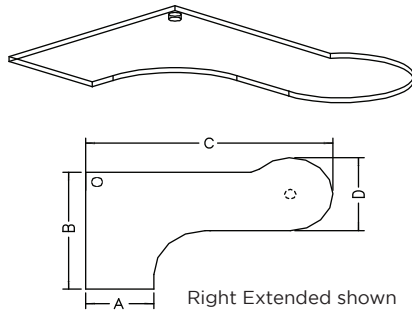
### 30"D CONNECTING SIDE 30"D EXTENSION 42"D

PART #	HEIGHT	A	B	C	D	PRICE
FIECCPWS.30426030L	1.25"	30"	42"	60"	30"	\$1,037
FIECCPWS.30426030R	1.25"	30"	42"	60"	30"	\$1,037
FIECCPWS.30426630L	1.25"	30"	42"	66"	30"	\$1,144
FIECCPWS.30426630R	1.25"	30"	42"	66"	30"	\$1,144
FIECCPWS.30427230L	1.25"	30"	42"	72"	30"	\$1,164
FIECCPWS.30427230R	1.25"	30"	42"	72"	30"	\$1,164
FIECCPWS.30427830L	1.25"	30"	42"	78"	30"	\$1,363
FIECCPWS.30427830R	1.25"	30"	42"	78"	30"	\$1,363
FIECCPWS.30428430L	1.25"	30"	42"	84"	30"	\$1,386
FIECCPWS.30428430R	1.25"	30"	42"	84"	30"	\$1,386

**30"D CONNECTING SIDE  
30"D EXTENSION  
48"D**

PART #	HEIGHT	A	B	C	D	PRICE
FIECCPWS.30486030L	1.25"	30"	48"	60"	30"	\$1,043
FIECCPWS.30486030R	1.25"	30"	48"	60"	30"	\$1,043
FIECCPWS.30486630L	1.25"	30"	48"	66"	30"	\$1,150
FIECCPWS.30486630R	1.25"	30"	48"	66"	30"	\$1,150
FIECCPWS.30487230L	1.25"	30"	48"	72"	30"	\$1,170
FIECCPWS.30487230R	1.25"	30"	48"	72"	30"	\$1,170
FIECCPWS.30487830L	1.25"	30"	48"	78"	30"	\$1,367
FIECCPWS.30487830R	1.25"	30"	48"	78"	30"	\$1,367
FIECCPWS.30488430L	1.25"	30"	48"	84"	30"	\$1,392
FIECCPWS.30488430R	1.25"	30"	48"	84"	30"	\$1,392

# Extended Curved Corner P-Shape Peninsula | Worksurface



**DESCRIPTION**

Worksurface hangs from a frame or Wall Strips. It has a laminate top and a PVC edge.

**NOTES**

- Includes one grommet, cantilever brackets, one corner bracket, column leg and attachment hardware.
- Worksurfaces have one grommet 4" from the corner of the worksurface.
- Specify L for left extended and R for right extended.
- Column leg finish: Black or CW
- Mending plates are included with rectangular worksurfaces only.
- Order mending plates separately if placing a this worksurface next to another non-rectangular worksurface.

**SPECIFICATION OPTIONS**

**product #:** see charts below  
**edge finish:** 3MM PVC, See page 12  
**worksurface finish:** See page 12  
**left or right extended:** L for Left, R for Right  
**support finish:** See page 12

**ORDER EXAMPLE**

**product #:** FIECCPPWS.24426024L  
**edge finish:** LM  
**worksurface finish:** Light Maple, M1  
**support finish:** CW

**24"D CONNECTING SIDES**  
**42"D**

PART #	HEIGHT	A	B	C	D	PRICE
FIECCPPWS.24426024L	1.25"	24"	42"	60"	36"	\$1,057
FIECCPPWS.24426024R	1.25"	24"	42"	60"	36"	\$1,057
FIECCPPWS.24426624L	1.25"	24"	42"	66"	36"	\$1,170
FIECCPPWS.24426624R	1.25"	24"	42"	66"	36"	\$1,170
FIECCPPWS.24427224L	1.25"	24"	42"	72"	36"	\$1,194
FIECCPPWS.24427224R	1.25"	24"	42"	72"	36"	\$1,194
FIECCPPWS.24427824L	1.25"	24"	42"	78"	36"	\$1,401
FIECCPPWS.24427824R	1.25"	24"	42"	78"	36"	\$1,401
FIECCPPWS.24428424L	1.25"	24"	42"	84"	36"	\$1,432
FIECCPPWS.24428424R	1.25"	24"	42"	84"	36"	\$1,432

**24"D CONNECTING SIDES**  
**48"D**

PART #	HEIGHT	A	B	C	D	PRICE
FIECCPPWS.24486024L	1.25"	24"	48"	60"	36"	\$1,173
FIECCPPWS.24486024R	1.25"	24"	48"	60"	36"	\$1,173
FIECCPPWS.24486624L	1.25"	24"	48"	66"	36"	\$1,308
FIECCPPWS.24486624R	1.25"	24"	48"	66"	36"	\$1,308
FIECCPPWS.24487224L	1.25"	24"	48"	72"	36"	\$1,333
FIECCPPWS.24487224R	1.25"	24"	48"	72"	36"	\$1,333
FIECCPPWS.24487824L	1.25"	24"	48"	78"	36"	\$1,585
FIECCPPWS.24487824R	1.25"	24"	48"	78"	36"	\$1,585
FIECCPPWS.24488424L	1.25"	24"	48"	84"	36"	\$1,617
FIECCPPWS.24488424R	1.25"	24"	48"	84"	36"	\$1,617

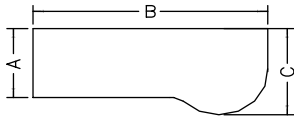
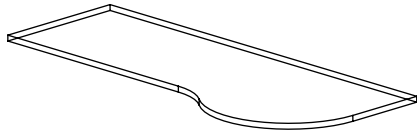
**30"D CONNECTING SIDES  
42"D**

PART #	HEIGHT	A	B	C	D	PRICE
FIECCPPWS.30426030L	1.25"	30"	42"	60"	36"	\$1,116
FIECCPPWS.30426030R	1.25"	30"	42"	60"	36"	\$1,116
FIECCPPWS.30426630L	1.25"	30"	42"	66"	36"	\$1,227
FIECCPPWS.30426630R	1.25"	30"	42"	66"	36"	\$1,227
FIECCPPWS.30427230L	1.25"	30"	42"	72"	36"	\$1,252
FIECCPPWS.30427230R	1.25"	30"	42"	72"	36"	\$1,252
FIECCPPWS.30427830L	1.25"	30"	42"	78"	36"	\$1,459
FIECCPPWS.30427830R	1.25"	30"	42"	78"	36"	\$1,459
FIECCPPWS.30428430L	1.25"	30"	42"	84"	36"	\$1,492
FIECCPPWS.30428430R	1.25"	30"	42"	84"	36"	\$1,492

**30"D CONNECTING SIDES  
48"D**

PART #	HEIGHT	A	B	C	D	PRICE
FIECCPPWS.30486030L	1.25"	30"	48"	60"	36"	\$1,232
FIECCPPWS.30486030R	1.25"	30"	48"	60"	36"	\$1,232
FIECCPPWS.30486630L	1.25"	30"	48"	66"	36"	\$1,366
FIECCPPWS.30486630R	1.25"	30"	48"	66"	36"	\$1,366
FIECCPPWS.30487230L	1.25"	30"	48"	72"	36"	\$1,393
FIECCPPWS.30487230R	1.25"	30"	48"	72"	36"	\$1,393
FIECCPPWS.30487830L	1.25"	30"	48"	78"	36"	\$1,642
FIECCPPWS.30487830R	1.25"	30"	48"	78"	36"	\$1,642
FIECCPPWS.30488430L	1.25"	30"	48"	84"	36"	\$1,674
FIECCPPWS.30488430R	1.25"	30"	48"	84"	36"	\$1,674

## Ellipse End Peninsula | Worksurface



Right Extended shown

### DESCRIPTION

Worksurface hangs from frames or Wall Strips. It has a laminate top and a PVC edge. 60" to 84" worksurfaces have a center support.

### NOTES

- Includes cantilever brackets, attachment hardware, and grommet(s).
- Worksurfaces 24"-48"W include 1 grommet in center rear, and worksurfaces 54"-84"W include 2 grommets 18" from each end.
- Mending plates are included with rectangular worksurfaces only.
- Order mending plates separately if placing a this worksurface next to another non-rectangular worksurface.

### SPECIFICATION OPTIONS

**product #:** see charts below  
**edge finish:** 3MM PVC, see page 12  
**worksurface finish:** see page 12

### ORDER EXAMPLE

**product #:** FIEEPWS.246030  
**edge finish:** LM  
**worksurface finish:** Light Maple, M1

### 24"D LEFT 30"D RIGHT

PART #	HEIGHT	A	B	C	D	PRICE
FIEEPWS.246030	1.25"	24"	60"	30"	—	\$681
FIEEPWS.246630	1.25"	24"	66"	30"	—	\$752
FIEEPWS.247230	1.25"	24"	72"	30"	—	\$771
FIEEPWS.247830	1.25"	24"	78"	30"	—	\$902
FIEEPWS.248430	1.25"	24"	84"	30"	—	\$922

### 30"D LEFT 24"D RIGHT

PART #	HEIGHT	A	B	C	D	PRICE
FIEEPWS.306024	1.25"	30"	60"	24"	—	\$681
FIEEPWS.306624	1.25"	30"	66"	24"	—	\$752
FIEEPWS.307224	1.25"	30"	72"	24"	—	\$771
FIEEPWS.307824	1.25"	30"	78"	24"	—	\$902
FIEEPWS.308424	1.25"	30"	84"	24"	—	\$922

### 30"D LEFT 36"D RIGHT

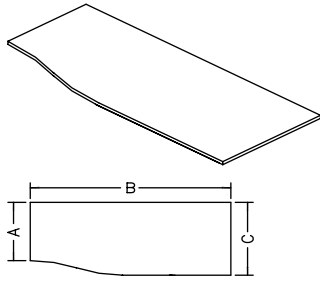
PART #	HEIGHT	A	B	C	D	PRICE
FIEEPWS.306036	1.25"	30"	60"	36"	—	\$795
FIEEPWS.306636	1.25"	30"	66"	36"	—	\$877
FIEEPWS.307236	1.25"	30"	72"	36"	—	\$896
FIEEPWS.307836	1.25"	30"	78"	36"	—	\$1,050
FIEEPWS.308436	1.25"	30"	84"	36"	—	\$1,071

### 36"D LEFT 30"D RIGHT

PART #	HEIGHT	A	B	C	D	PRICE
FIEEPWS.366030	1.25"	36"	60"	30"	—	\$795
FIEEPWS.366630	1.25"	36"	66"	30"	—	\$877
FIEEPWS.367230	1.25"	36"	72"	30"	—	\$896
FIEEPWS.367830	1.25"	36"	78"	30"	—	\$1,050
FIEEPWS.368430	1.25"	36"	84"	30"	—	\$1,071



# Regular Asymmetrical | Worksurface



Right Extended shown

**DESCRIPTION**

Worksurface hangs from frames or Wall Strips. It has a laminate top and a PVC edge.

**NOTES**

- 78" and 84" worksurfaces will accept a 42" or 36"W Lateral File
- 72"W worksurface will accept a 36"W Lateral File
- 66"W worksurface will accept a 30"W Lateral File
- Worksurfaces shorter than 48"W will not accept a pedestal
- Includes cantilever brackets, attachment hardware, and grommet(s).
- Worksurfaces 24"-48"W include 1 grommet in center rear, and worksurfaces 54"-84"W include 2 grommets 18" from each end.
- Mending plates are included with rectangular worksurfaces only.
- Order mending plates separately if placing a this worksurface next to another non-rectangular worksurface.

**SPECIFICATION OPTIONS**

**product #:** see charts below  
**edge finish:** 3MM PVC, see page 12  
**worksurface finish:** see page 12

**ORDER EXAMPLE**

**product #:** FIRWWS.243030  
**edge finish:** LM  
**worksurface finish:** Light Maple, M1

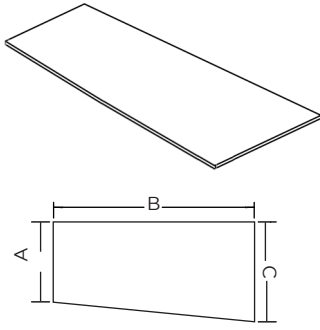
**24"D LEFT  
30"D RIGHT**

PART #	HEIGHT	A	B	C	D	PRICE
FIRWWS.243030	1.25"	24"	30"	30"	—	\$342
FIRWWS.243630	1.25"	24"	36"	30"	—	\$390
FIRWWS.244230	1.25"	24"	42"	30"	—	\$399
FIRWWS.244830	1.25"	24"	48"	30"	—	\$477
FIRWWS.245430	1.25"	24"	54"	30"	—	\$486
FIRWWS.246030	1.25"	24"	60"	30"	—	\$577
FIRWWS.246630	1.25"	24"	66"	30"	—	\$588
FIRWWS.247230	1.25"	24"	72"	30"	—	\$651
FIRWWS.247830	1.25"	24"	78"	30"	—	\$772
FIRWWS.248430	1.25"	24"	84"	30"	—	\$777

**30"D LEFT  
24"D RIGHT**

PART #	HEIGHT	A	B	C	D	PRICE
FIRWWS.303024	1.25"	30"	30"	24"	—	\$342
FIRWWS.303624	1.25"	30"	36"	24"	—	\$390
FIRWWS.304224	1.25"	30"	42"	24"	—	\$399
FIRWWS.304824	1.25"	30"	48"	24"	—	\$477
FIRWWS.305424	1.25"	30"	54"	24"	—	\$486
FIRWWS.306024	1.25"	30"	60"	24"	—	\$577
FIRWWS.306624	1.25"	30"	66"	24"	—	\$588
FIRWWS.307224	1.25"	30"	72"	24"	—	\$651
FIRWWS.307824	1.25"	30"	78"	24"	—	\$772
FIRWWS.308424	1.25"	30"	84"	24"	—	\$777

# Wedge | Worksurface



**DESCRIPTION**

Worksurface hangs from frames or Wall Strips. It has a laminate top and a PVC edge.

**SPECIFICATION OPTIONS**

**product #:** see charts below  
**edge finish:** 3MM PVC, see page 12  
**worksurface finish:** see page 12

**NOTES**

- Includes cantilever brackets, attachment hardware, and grommet(s).
- Worksurfaces 24"-48"W include one grommet in center rear, and worksurfaces 54"-84"W include two grommets 18" from each end.
- Mending plates are included with rectangular worksurfaces only.
- Order mending plates separately if placing a this worksurface next to another non-rectangular worksurface.

**ORDER EXAMPLE**

**product #:** FIWDWS.243030  
**edge finish:** LM  
**worksurface finish:** Light Maple, M1

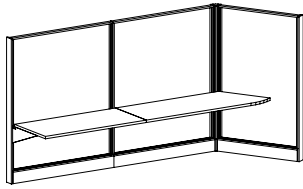
**24"D LEFT  
30"D RIGHT**

PART #	HEIGHT	A	B	C	D	PRICE
FIWDWS.243030	1.25"	24"	30"	30"	—	\$390
FIWDWS.243630	1.25"	24"	36"	30"	—	\$400
FIWDWS.244230	1.25"	24"	42"	30"	—	\$481
FIWDWS.244830	1.25"	24"	48"	30"	—	\$491
FIWDWS.245430	1.25"	24"	54"	30"	—	\$558
FIWDWS.246030	1.25"	24"	60"	30"	—	\$597
FIWDWS.246630	1.25"	24"	66"	30"	—	\$667
FIWDWS.247230	1.25"	24"	72"	30"	—	\$681
FIWDWS.247830	1.25"	24"	78"	30"	—	\$798
FIWDWS.248430	1.25"	24"	84"	30"	—	\$804

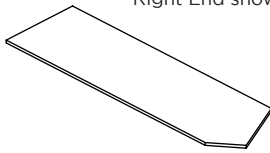
**30"D LEFT  
24"D RIGHT**

PART #	HEIGHT	A	B	C	D	PRICE
FIWDWS.303024	1.25"	30"	30"	24"	—	\$390
FIWDWS.303624	1.25"	30"	36"	24"	—	\$400
FIWDWS.304224	1.25"	30"	42"	24"	—	\$481
FIWDWS.304824	1.25"	30"	48"	24"	—	\$491
FIWDWS.305424	1.25"	30"	54"	24"	—	\$558
FIWDWS.306024	1.25"	30"	60"	24"	—	\$597
FIWDWS.306624	1.25"	30"	66"	24"	—	\$667
FIWDWS.307224	1.25"	30"	72"	24"	—	\$681
FIWDWS.307824	1.25"	30"	78"	24"	—	\$798
FIWDWS.308424	1.25"	30"	84"	24"	—	\$804

# 120° Rectangular | Worksurface



Right End shown



### DESCRIPTION

Worksurface hangs from a frames and has a 120° End, either left or right. The end fits against the frame connected by a 120° Connector. It has a laminate top and a PVC edge. Worksurface is 24" deep.

### NOTES

- Specify L for left end angle, and R for right end angle.
- Mending plates are included with rectangular worksurfaces only.
- Order mending plates separately if placing a this worksurface next to another non-rectangular worksurface.

### SPECIFICATION OPTIONS

**product #:** see charts below  
**edge finish:** 3MM PVC, see page 12  
**worksurface finish:** see page 12  
**left or right end angle:** L for Left, R for Right 12

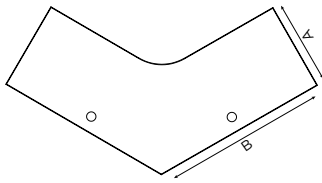
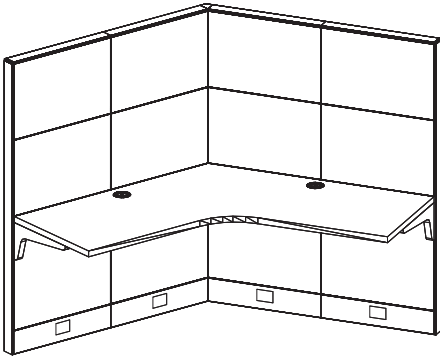
### ORDER EXAMPLE

**product #:** FI120WS.2424L  
**edge finish:** LM  
**worksurface finish:** Light Maple, M1  
**left or right end angle:** L

## 120° RECTANGULAR

PART #	HEIGHT	A	B	C	D	PRICE
FI120WS.2424L	1.25"	24"	24"	—	—	\$429
FI120WS.2424R	1.25"	24"	24"	—	—	\$429
FI120WS.2430L	1.25"	24"	30"	—	—	\$462
FI120WS.2430R	1.25"	24"	30"	—	—	\$462
FI120WS.2436L	1.25"	24"	36"	—	—	\$497
FI120WS.2436R	1.25"	24"	36"	—	—	\$497
FI120WS.2442L	1.25"	24"	42"	—	—	\$555
FI120WS.2442R	1.25"	24"	42"	—	—	\$555
FI120WS.2448L	1.25"	24"	48"	—	—	\$568
FI120WS.2448R	1.25"	24"	48"	—	—	\$568
FI120WS.2460L	1.25"	24"	60"	—	—	\$660
FI120WS.2460R	1.25"	24"	60"	—	—	\$660

# 120° Corner, 90° Ends | Worksurface



**DESCRIPTION**

Worksurface hangs from a frame or Wall Strips. It has a laminate top and a PVC edge. Worksurface is 24" deep.

**NOTES**

- 120° Worksurfaces will include 2 grommets.
- Includes cantilever brackets and attachment hardware.
- Mending plates are included with rectangular worksurfaces only.
- Order mending plates separately if placing a this worksurface next to another non-rectangular worksurface.

**SPECIFICATION OPTIONS**

**product #:** see charts below  
**edge finish:** 3MM PVC, see page 12  
**worksurface finish:** see page 12

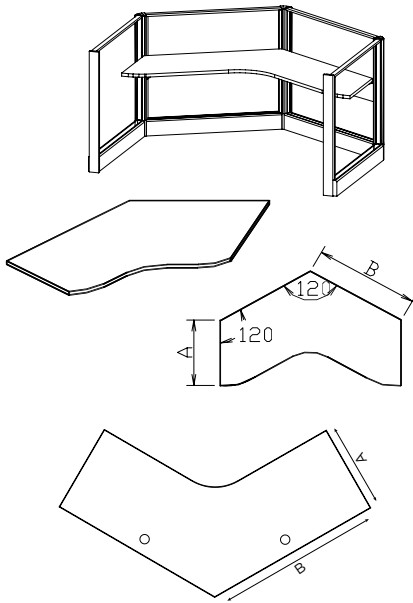
**ORDER EXAMPLE**

**product #:** FI120/90WS.2424  
**edge finish:** AW  
**worksurface finish:** Light Maple, M1

**120° CORNER  
 90° ENDS**

PART #	HEIGHT	A	B	C	D	PRICE
FI12090WS.2424	1.25"	24"	24"	—	—	\$542
FI12090WS.2430	1.25"	24"	30"	—	—	\$611
FI12090WS.2436	1.25"	24"	36"	—	—	\$748
FI12090WS.2442	1.25"	24"	42"	—	—	\$895
FI12090WS.2448	1.25"	24"	48"	—	—	\$1,087

120° Corner, 120° Ends | Worksurface



DESCRIPTION

Worksurface hangs from a frame or Wall Strips. It has a laminate top and a PVC edge. Worksurface is 24" deep.

NOTES

- Includes cantilever brackets, and attachment hardware.
- Mending plates are included with rectangular worksurfaces only.
- Order mending plates separately if placing a this work surface next to another non-rectangular work surface.

SPECIFICATION OPTIONS

**product #:** See charts below  
**top, edge finish:** 3MM PVC, see page 12  
**support finish:** See page 12  
**worksurface finish:** See page 12

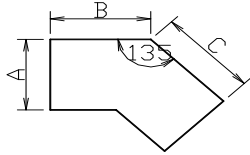
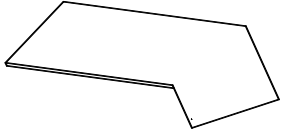
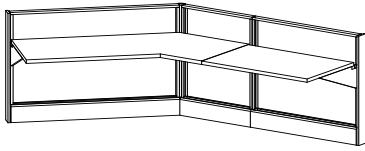
ORDER EXAMPLE

**product #:** FI120/120WS.2436  
**top, edge finish:** AW  
**support finish:** CW  
**worksurface finish:** Light Maple, M1

120° CORNER  
 120° ENDS

PART #	HEIGHT	A	B	C	D	PRICE
FI120120WS.2436	1.25"	24"	36"	—	—	\$756
FI120120WS.2442	1.25"	24"	42"	—	—	\$904
FI120120WS.2448	1.25"	24"	48"	—	—	\$1,098

# 135° Corner | Worksurface



**DESCRIPTION**

Worksurface hangs from a panel. It has a laminate top and a PVC edge.

**SPECIFICATION OPTIONS**

**product #:** see charts below  
**worksurface finish:** see page 12  
**edge finish:** 3MM PVC, see page 12  
**support finish:** see metal finishes on page 12

**NOTES**

- Includes cantilever brackets, corner bracket, and attachment hardware
- Mending plates are included with rectangular worksurfaces only.
- Order mending plates separately if placing this worksurface next to another non-rectangular worksurface

**ORDER EXAMPLE**

**product #:** FI135CWS24.2424  
**worksurface finish:** M1 Light Maple  
**edge finish:** M1 Light Maple  
**support finish:** E9 Cloud White

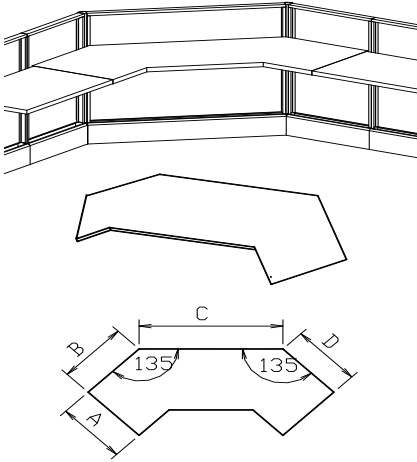
**24" D**

PART #	HEIGHT	A	B	C	D	PRICE
FI135CWS24.2424	1.25"	24"	24"	—	—	\$842
FI135CWS24.2448	1.25"	24"	48"	—	—	\$1,158
FI135CWS24.3030	1.25"	30"	30"	—	—	\$995
FI135CWS24.4824	1.25"	48"	24"	—	—	\$944

**30" D**

PART #	HEIGHT	A	B	C	D	PRICE
FI135CWS30.2424	1.25"	24"	24"	—	—	\$877
FI135CWS30.2448	1.25"	24"	48"	—	—	\$1,187
FI135CWS30.3030	1.25"	30"	30"	—	—	\$1,035
FI135CWS30.4824	1.25"	48"	24"	—	—	\$1,178

# 135° Double Corner



## DESCRIPTION

Worksurface hangs from a panel. It has a laminate top and a PVC edge.

## SPECIFICATION OPTIONS

**product #:** see charts below  
**worksurface finish:** see page 12  
**edge finish:** see page 12  
**support finish:** page 12

## NOTES

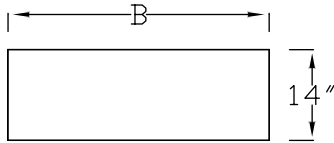
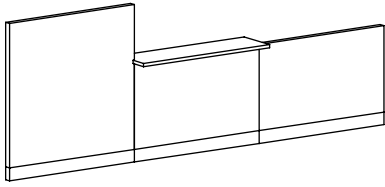
- Includes cantilever brackets, corner bracket, and attachment hardware
- Mending plates are included with rectangular worksurfaces only.
- Order mending plates separately if placing this work surface next to another non-rectangular work surface

## ORDER EXAMPLE

**product #:** FI135DCWS24.244824  
**worksurface finish:** M1 Light Maple  
**edge finish:** M1 Light Maple  
**support finish:** E9 Cloud White

PART #	HEIGHT	A	B	C	D	PRICE
FI135DCWS24.244824	1.25"	24"	48	24	48"	\$1,623
FI135DCWS30.244824	1.25"	30"	48"	24	48"	\$1,627

# Rectangular Transaction | Worksurface



**DESCRIPTION**

14"D Rectangular Transaction Worksurface attaches to the top of the frame with provided hardware. Width of the transaction top matches the width of the frame. It has a laminate top and a PVC edge.

**NOTES**

- Attachment hardware is included.
- Order without cutout or with cutout on one side. See page 26

**SPECIFICATION OPTIONS**

**product #:** see charts below  
**edge finish:** 3MM PVC, see page 12  
**worksurface finish:** see page 12

**ORDER EXAMPLE**

**product #:** FIRTS.1424N  
**edge finish:** LM  
**worksurface finish:** Light Maple, M1

**WITHOUT CUTOUT**

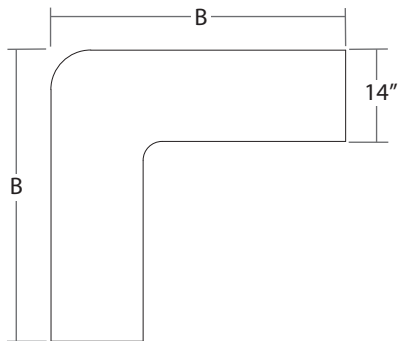
PART #	HEIGHT	A	B	C	D	PRICE
FIRTS.1424N	1.25"	14"	24"	—	—	\$177
FIRTS.1430N	1.25"	14"	30"	—	—	\$204
FIRTS.1436N	1.25"	14"	36"	—	—	\$220
FIRTS.1442N	1.25"	14"	42"	—	—	\$263
FIRTS.1448N	1.25"	14"	48"	—	—	\$268

**WITH CUTOUT**

PART #	HEIGHT	A	B	C	D	PRICE
FIRTS.1424C	1.25"	14"	24"	—	—	\$177
FIRTS.1430C	1.25"	14"	30"	—	—	\$204
FIRTS.1436C	1.25"	14"	36"	—	—	\$220
FIRTS.1442C	1.25"	14"	42"	—	—	\$263
FIRTS.1448C	1.25"	14"	48"	—	—	\$268



## Corner Transaction | Worksurface



### DESCRIPTION

14"D Rectangular Transaction Worksurface attaches to the top of the frame with provided hardware. Width of the transaction top matches the width of the frame. It has a laminate top and a PVC edge.

### NOTES

- Attachment hardware is included.
- Panels connected at 90° angle for corner counter or display area.

### SPECIFICATION OPTIONS

**product #:** see charts below  
**edge finish:** 3MM PVC, see page 12  
**worksurface finish:** see page 12

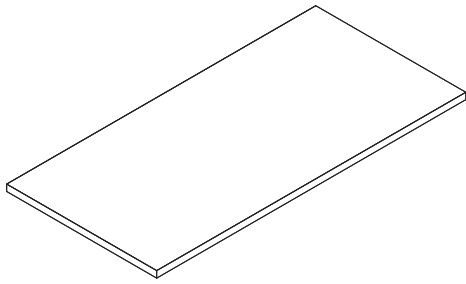
### ORDER EXAMPLE

**product #:** FICTS.24  
**edge finish:** LM  
**worksurface finish:** Light Maple, M1

### CORNER TRANSACTION

PART #	HEIGHT	A	B	C	D	PRICE
FICTS.24	1.25"	14"	32"	—	—	\$338
FICTS.30	1.25"	14"	38"	—	—	\$449
FICTS.36	1.25"	14"	44"	—	—	\$497
FICTS.42	1.25"	14"	50"	—	—	\$699
FICTS.48	1.25"	14"	56"	—	—	\$704

# Rectangular | My-Hite Worksurface



**DESCRIPTION**

Worksurface top only, for use with height adjustable base within workstation application

**NOTES**

- Add grommet (add \$75 list)  
Specify GL, GC, GR
- Order base separately from MY-HITE pricebook

Note: Top size reduced 1" in depth and 2" in width to fit within system workstation and prevent pinch points. We do not recommend using full size worktop in paneled workstation applications.

**SPECIFICATION OPTIONS**

**product #:** see charts below  
**top, edge finish:** worksurface finish:  
see page 12

**ORDER EXAMPLE**

**product #:** FIRWS.2340  
**edge finish:** DT Dark Tone, E12  
**worksurface finish:** Light Maple, M1  
**grommet location:** PG5L-C

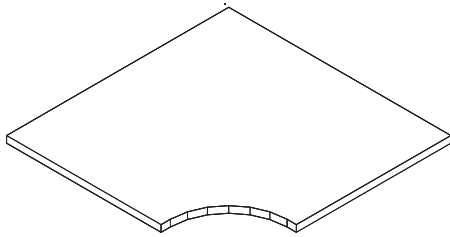
**RECTANGULAR WORKSURFACE**

PART #	WIDTH	DEPTH	PRICE
FIRWS.2340	40"	23"	\$307
FIRWS.2346	46"	23"	\$316
FIRWS.2352	52"	23"	\$373
FIRWS.2358	58"	23"	\$383
FIRWS.2364	64"	23"	\$441
FIRWS.2370	70"	23"	\$453
FIRWS.2376	76"	23"	\$553
FIRWS.2382	82"	23"	\$559
FIRWS.2940	40"	29"	\$363
FIRWS.2946	46"	29"	\$373
FIRWS.2952	52"	29"	\$442
FIRWS.2958	58"	29"	\$453
FIRWS.2964	64"	29"	\$524
FIRWS.2970	70"	29"	\$537
FIRWS.2976	76"	29"	\$660
FIRWS.2982	82"	29"	\$666
FIRWS.3540	35"	40"	\$382
FIRWS.3546	35"	46"	\$389
FIRWS.3552	35"	52"	\$681
FIRWS.3558	35"	58"	\$689
FIRWS.3564	35"	64"	\$696
FIRWS.3570	35"	70"	\$704
FIRWS.3576	35"	76"	\$711
FIRWS.3582	35"	82"	\$811

**NOTES**

- Sizes are actual for example FIRWS.2370 is 23' x 70'

**Corner** | My-Hite Worksurface



DESCRIPTION

Corner worksurface top only, for use with height adjustable base within workstation application.

NOTES

- Add grommet (add \$75 list)  
Specify GL or GR
- Order base separately from MY-HITE pricebook

Note: Top size reduced 1" in depth and 2" in with to fit within system workstation and prevent pinch points. We do not recommend using full size worktop in paneled workstation applications.

SPECIFICATION OPTIONS

**product #:** see charts below  
**top, edge finish:** worksurface finish: see page 12

ORDER EXAMPLE

**product #:** FIRWS.2340  
**edge finish:** DT Dark Tone, E12  
**worksurface finish:** Light Maple, M1  
**grommet location:** GL  
**grommet color:** Cloud White

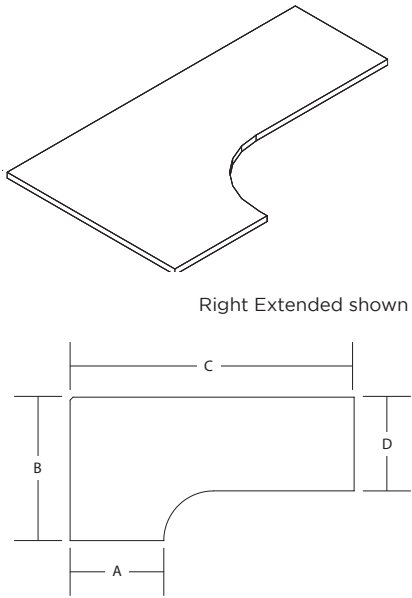
**CORNER WORKSURFACE**

PART #	WIDTH	DEPTH	PRICE
FICWS.2340	40"	23"	\$505
FICWS.2346	46"	23"	\$535
FICWS.2940	40"	29"	\$550
FICWS.2946	46"	29"	\$578

NOTES

- Sizes are actual for example FICWS.2346 is 23' x 46'

# 90° Extended Curved Corner | My-Hite Worksurface



**DESCRIPTION**

Laminate worksurface with 3mm PVC edge

**NOTES**

- Worksurface top only, for use with height adjustable base within workstation application
- See My-Hite pricebook for use inside a freestanding application
- Add circular grommet (add \$75 list) Specify grommet placement GL, GC, GR
- Top size reduced 1" in depth and 2" in width to fit within system workstation and prevent pinch points.
- We do not recommend using full size worktop in paneled workstation applications

**SPECIFICATION OPTIONS**

**product #:** see charts below  
**top, edge, worksurface finish:** see page 12  
**left or right extended:** L for Left, R for Right

**ORDER EXAMPLE**

**product #:** FIECCWS.23345823L  
**top, edge finish:** E10 Espresso  
**worksurface finish:** M11 Light Walnut  
**grommet location:** PG5L-C

**23" D CONNECTING SIDE  
 23" D EXTENSION  
 34" D**

PART #	HEIGHT	A	B	C	D	PRICE
FIECCWS.23345823L	1.25"	23"	34"	58"	23"	\$580
FIECCWS.23345823R	1.25"	23"	34"	58"	23"	\$580
FIECCWS.23346423L	1.25"	23"	34"	64"	23"	\$646
FIECCWS.23346423R	1.25"	23"	34"	64"	23"	\$646
FIECCWS.23347023L	1.25"	23"	34"	70"	23"	\$657
FIECCWS.23347023R	1.25"	23"	34"	70"	23"	\$657
FIECCWS.23347623L	1.25"	23"	34"	76"	23"	\$788
FIECCWS.23347623R	1.25"	23"	34"	76"	23"	\$788

**29" D CONNECTING SIDE  
 29" D EXTENSION  
 34" D**

PART #	HEIGHT	A	B	C	D	PRICE
FIECCWS.29345829L	1.25"	29"	34"	58"	29"	\$636
FIECCWS.29345829R	1.25"	29"	34"	58"	29"	\$636
FIECCWS.29346429L	1.25"	29"	34"	64"	29"	\$701
FIECCWS.29346429R	1.25"	29"	34"	64"	29"	\$701
FIECCWS.29347029L	1.25"	29"	34"	70"	29"	\$711
FIECCWS.29347029R	1.25"	29"	34"	70"	29"	\$711
FIECCWS.29347629L	1.25"	29"	34"	76"	29"	\$842
FIECCWS.29347629R	1.25"	29"	34"	76"	29"	\$842

**23" D CONNECTING SIDE  
23" D EXTENSION  
40" D**

PART #	HEIGHT	A	B	C	D	PRICE
FIECCWS.23405823L	1.25"	23"	40"	58"	23"	\$698
FIECCWS.23405823R	1.25"	23"	40"	58"	23"	\$698
FIECCWS.23406423L	1.25"	23"	40"	64"	23"	\$786
FIECCWS.23406423R	1.25"	23"	40"	64"	23"	\$786
FIECCWS.23407023L	1.25"	23"	40"	70"	23"	\$797
FIECCWS.23407023R	1.25"	23"	40"	70"	23"	\$797
FIECCWS.23407623L	1.25"	23"	40"	76"	23"	\$966
FIECCWS.23407623R	1.25"	23"	40"	76"	23"	\$966

**29" D CONNECTING SIDE  
29" D EXTENSION  
40" D**

PART #	HEIGHT	A	B	C	D	PRICE
FIECCWS.29405829L	1.25"	29"	40"	58"	29"	\$752
FIECCWS.29405829R	1.25"	29"	40"	58"	29"	\$752
FIECCWS.29406429L	1.25"	29"	40"	64"	29"	\$839
FIECCWS.29406429R	1.25"	29"	40"	64"	29"	\$839
FIECCWS.29407029L	1.25"	29"	40"	70"	29"	\$851
FIECCWS.29407029R	1.25"	29"	40"	70"	29"	\$851
FIECCWS.29407629L	1.25"	29"	40"	76"	29"	\$1,021
FIECCWS.29407629R	1.25"	29"	40"	76"	29"	\$1,021

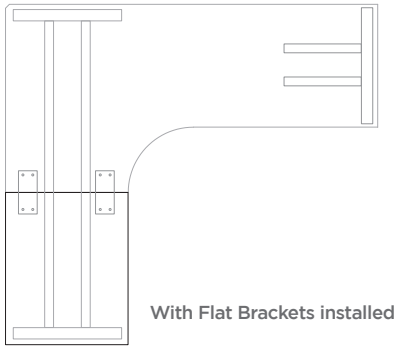
**23" D CONNECTING SIDE  
23" D EXTENSION  
46" D**

PART #	HEIGHT	A	B	C	D	PRICE
FIECCWS.23465823L	1.25"	23"	46"	58"	23"	\$709
FIECCWS.23465823R	1.25"	23"	46"	58"	23"	\$709
FIECCWS.23466423L	1.25"	23"	46"	64"	23"	\$797
FIECCWS.23466423R	1.25"	23"	46"	64"	23"	\$797
FIECCWS.23467023L	1.25"	23"	46"	70"	23"	\$815
FIECCWS.23467023R	1.25"	23"	46"	70"	23"	\$815
FIECCWS.23467623L	1.25"	23"	46"	76"	23"	\$993
FIECCWS.23467623R	1.25"	23"	46"	76"	23"	\$993

**29" D CONNECTING SIDE  
29" D EXTENSION  
46" D**

PART #	HEIGHT	A	B	C	D	PRICE
FIECCWS.29465829L	1.25"	29"	46"	58"	29"	\$764
FIECCWS.29465829R	1.25"	29"	46"	58"	29"	\$764
FIECCWS.29466429L	1.25"	29"	46"	64"	29"	\$851
FIECCWS.29466429R	1.25"	29"	46"	64"	29"	\$851
FIECCWS.29467029L	1.25"	29"	46"	70"	29"	\$870
FIECCWS.29467029R	1.25"	29"	46"	70"	29"	\$870
FIECCWS.29467629L	1.25"	29"	46"	76"	29"	\$1,047
FIECCWS.29467629R	1.25"	29"	46"	76"	29"	\$1,047

# Rectangular Extension | My-Hite Worksurface



**DESCRIPTION**

Laminate worksurface, for use with extended curved corner worksurfaces, not for use alone.

**NOTES**

- For use in combination with Extended Corner Worksurfaces and Corner My-Hite Bases only
- Not for use alone, nor with straight bases
- Maximum width combined: 72x96" or 84x84"

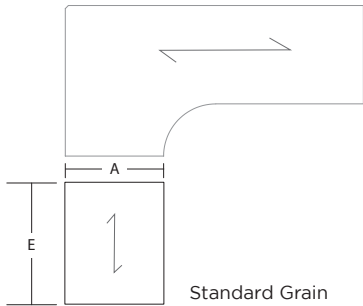
**SPECIFICATION OPTIONS**

**product #:** See charts below  
**worksurface finish:** See page 12

**ORDER EXAMPLE**

**product #:** FIRWS.2324  
**worksurface:** Light Maple, M1

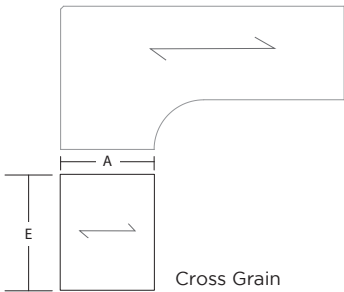
## RECTANGULAR WORKSURFACE



PART #	DEPTH "A"	WIDTH "E"	LIST
FIRWS.2324	23"	24"	\$241
FIRWS.2330	23"	30"	\$276
FIRWS.2336	23"	36"	\$285
FIRWS.2924	29"	24"	\$320
FIRWS.2930	29"	30"	\$365
FIRWS.2936	29"	36"	\$374

**NOTES**

- Standard default grain direction is left to right (See left)

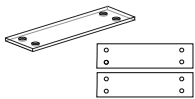


PART #	DEPTH "A"	WIDTH "E"	LIST
FIRWS.2324-CG	23"	24"	\$289
FIRWS.2330-CG	23"	30"	\$331
FIRWS.2336-CG	23"	36"	\$342
FIRWS.2924-CG	29"	24"	\$384
FIRWS.2930-CG	29"	30"	\$438
FIRWS.2936-CG	29"	36"	\$449

**NOTES**

- Cross grain direction is front to back (See left)

## FLAT BRACKET



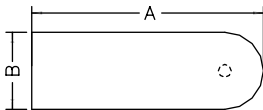
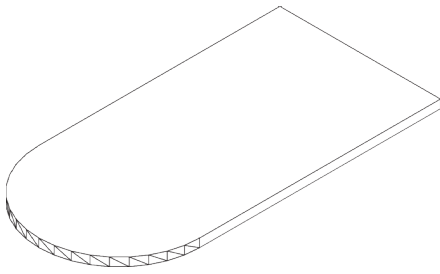
PART #	WIDTH	DEPTH	PRICE	NOTES
FVFB.08	8"	2"	\$30	<ul style="list-style-type: none"> <li>• Used to unite two worksurfaces supported by one base</li> <li>• Black finish</li> <li>• Sold in pairs</li> </ul>

## ANTI-SAG BARS



PART #	WIDTH	LIST	NOTES
FWASB.42	42"	\$95	<ul style="list-style-type: none"> <li>• Anti-Sag bar, 42" wide with (8) screws. For use with 48 &amp; 54" worktops</li> </ul>
FWASB.54	54"	\$121	<ul style="list-style-type: none"> <li>• Anti-Sag bar, 54" wide with (10) screws. For use with 60 &amp; 66" worktops</li> </ul>
FWASB.66	66"	\$146	<ul style="list-style-type: none"> <li>• Anti-Sag bar, 66" wide with (12) screws. For use with 72 &amp; 78" worktops</li> </ul>

## D-Shaped | My-Hite Worksurface



### DESCRIPTION

Worksurface top only, for use with height adjustable base within workstation application

### NOTES

- Add grommet (add \$75 list)  
Location is GC
- Order base separately from MY-HITE pricebook

Note: Top size reduced 1" in depth and 2" in width to fit within system workstation and prevent pinch points. We do not recommend using full size worktop in paneled workstation applications.

### SPECIFICATION OPTIONS

**product #:** see charts below  
**top, edge finish:** **worksurface finish:** see page 12

### ORDER EXAMPLE

**product #:** FIEDSP.2346  
**edge finish:** DT Dark Tone, E12  
**worksurface finish:** Espresso, M10  
**grommet location:** GC (Rear Center)  
**grommet color:** Cloud White

### D-SHAPED

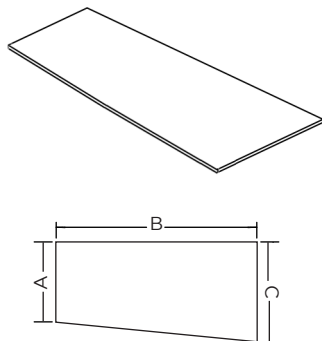
PART #	HEIGHT	A	B	C	D	PRICE
FIEDSP.2346	1.25"	46"	23"	—	—	\$463
FIEDSP.2358	1.25"	58"	23"	—	—	\$516
FIEDSP.2946	1.25"	46"	29"	—	—	\$507
FIEDSP.2958	1.25"	58"	29"	—	—	\$562
FIEDSP.2970	1.25"	70"	29"	—	—	\$615
FIEDSP.3570	1.25"	70"	35"	—	—	\$677

### NOTES

- Sizes are actual for example FIEDSP.2346 is 23" x 46"



# Wedge | My-Hite Worksurface



**DESCRIPTION**

Worksurface top only, for use with height adjustable base within workstation application

**NOTES**

- Add grommet (add \$75 list)  
Specify GL, GC, GR
- Order base separately from MY-HITE pricebook

Note: Top size reduced 1" in depth and 2" in width to fit within system workstation and prevent pinch points. We do not recommend using full size worktop in paneled workstation applications.

**SPECIFICATION OPTIONS**

**product #:** see charts below  
**top, edge finish:** worksurface finish: see page 12

**ORDER EXAMPLE**

**product #:** FIWDWS.234029  
**edge finish:** DT Dark Tone, E12  
**worksurface finish:** Espresso, M10  
**grommet location:** PG5LC

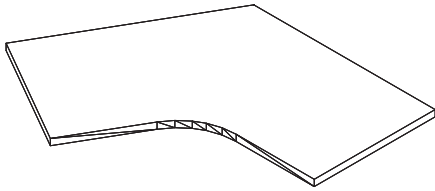
**23"D LEFT  
29"D RIGHT**

PART #	HEIGHT	A	B	C	D	PRICE
FIWDWS.234029	1.25"	23"	40"	29"	—	\$358
FIWDWS.234629	1.25"	23"	46"	29"	—	\$366
FIWDWS.235229	1.25"	23"	52"	29"	—	\$415
FIWDWS.235829	1.25"	23"	58"	29"	—	\$445
FIWDWS.236429	1.25"	23"	64"	29"	—	\$496
FIWDWS.237029	1.25"	23"	70"	29"	—	\$507
FIWDWS.237629	1.25"	23"	76"	29"	—	\$589

**29"D LEFT  
23"D RIGHT**

PART #	HEIGHT	A	B	C	D	PRICE
FIWDWS.294023	1.25"	29"	40"	23"	—	\$358
FIWDWS.294623	1.25"	29"	46"	23"	—	\$366
FIWDWS.295223	1.25"	29"	52"	23"	—	\$415
FIWDWS.295823	1.25"	29"	58"	23"	—	\$445
FIWDWS.296423	1.25"	29"	64"	23"	—	\$496
FIWDWS.297023	1.25"	29"	70"	23"	—	\$507
FIWDWS.297623	1.25"	29"	76"	23"	—	\$589

## 120° Corner / 90° Ends | My-Hite Worksurface



### DESCRIPTION

Worksurface top only, for use with height adjustable base within workstation application

### NOTES

- Add grommet (add \$75 list)  
Specify GL, GC, GR
- Order base separately from MY-HITE pricebook

Note: Top size reduced 1" in depth and 2" in width to fit within system workstation and prevent pinch points. We do not recommend using full size worktop in paneled workstation applications.

### SPECIFICATION OPTIONS

**product #:** see charts below  
**top, edge finish:** **worksurface finish:** see page 12

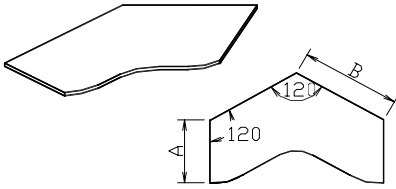
### ORDER EXAMPLE

**product #:** FI120-90WS.2334  
**edge finish:** DT Dark Tone, E12  
**worksurface finish:** Espresso, M10  
**grommet location:** GC (Rear Center)  
**grommet color:** Cloud White

### 120° CORNER 90° ENDS 23"

PART #	HEIGHT	A	B	C	D	PRICE
FI120-90WS.2334	1.25"	23"	34"	—	—	\$662
FI120-90WS.2340	1.25"	23"	40"	—	—	\$816
FI120-90WS.2346	1.25"	23"	46"	—	—	\$1,017

120° Corner / 120° Ends | My-Hite Worksurface



DESCRIPTION

Worksurface top only, for use with height adjustable base within workstation application

NOTES

- Add grommet (add \$75 list)  
Specify GL, GC, GR
- Order base separately from MY-HITE pricebook

Note: Top size reduced 1" in depth and 2" in with to fit within system workstation and prevent pinch points. We do not recommend using full size worktop in paneled workstation applications.

SPECIFICATION OPTIONS

**product #:** see charts below  
**top, edge finish:** worksurface finish:  
see page 12

ORDER EXAMPLE

**product #:** FI120-120WS.2334  
**edge finish:** DT Dark Tone, E12  
**worksurface finish:** Espresso, M10  
**grommet location:** GC (Rear Center)  
**grommet color:** Cloud White

120° CORNER  
120° ENDS  
23"

PART #	HEIGHT	A	B	C	D	PRICE
FI120-120WS.2334	1.25"	23"	34"	—	—	\$662
FI120-120WS.2340	1.25"	23"	40"	—	—	\$816
FI120-120WS.2346	1.25"	23"	46"	—	—	\$1,017

# Grommet

DESCRIPTION

3" plastic grommet for use with worksurfaces.

SPECIFICATION OPTIONS

**product #:** see charts below

NOTES

- Worksurfaces 24"-48" come with one grommet in center rear.
- Worksurfaces 54"-84" come with two grommets, 18" from each end.

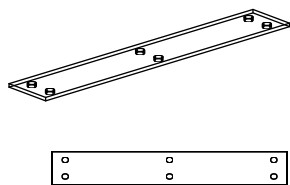
ORDER EXAMPLE

**product #:** FIG.BU (Black Umber finish)

## GROMMET

PART #	PRICE	NOTES
FIG.BU (Black Umber)	\$2	Grommet color included with worksurface is standard. Order separately for other color.
FIG.CW (Cloud White)	\$2	
FIG.SV (Silver)	\$2	

## Flat Bracket



### DESCRIPTION

Used to support two worksurfaces when a support leg or panel leg is inappropriate.

### SPECIFICATION OPTIONS

**product #:** see charts below

### NOTES

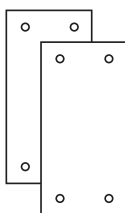
- Finish: Black

### ORDER EXAMPLE

**product #:** FIFB.18

PART #	HEIGHT	A	B	C	D	PRICE
FIFB.18	—	3"	18"	—	—	\$43

## Mending Plates



### DESCRIPTION

This Mending Plate is to be ordered if you're placing corner worksurface next to another corner worksurface without a rectangular worksurface return. Plate size is 2" x 4"

### SPECIFICATION OPTIONS

**product #:** see charts below

### NOTES

- Sold in pairs

### ORDER EXAMPLE

**product #:** FASS22-0-ZN

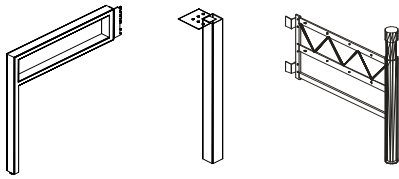
PART #	HEIGHT	PRICE
FASS22-0-ZN	—	\$5

## ANTI-SAG BARS



PART #	WIDTH	LIST	NOTES
FWASB.42	42"	\$95	• Anti-Sag bar, 42" wide with (8) screws. For use with 48 & 54" worktops
FWASB.54	54"	\$121	• Anti-Sag bar, 54" wide with (10) screws. For use with 60 & 66" worktops
FWASB.66	66"	\$146	• Anti-Sag bar, 66" wide with (12) screws. For use with 72 & 78" worktops

## Supports



DESCRIPTION

NOTES

- Use with frame and wall strip worksurfaces.

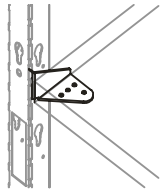
SPECIFICATION OPTIONS

**product #:** See charts below  
**finish:** See page 12

ORDER EXAMPLE

**product #:** F10MWS.2724  
**finish:** CW

### WORKSURFACE BRACKET



right hand shown

PART #	HEIGHT	WIDTH	DEPTH	PRICE
FIWSB.L	—	—	—	\$13
FIWSB.R	—	—	—	\$13

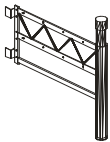
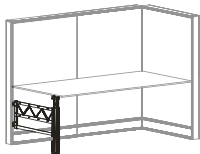
NOTES

Attaches to the front of a hanging worksurface to provide additional support, when the return frame matches the depth of the worksurface.

Also used as support for the back corner of a corner worksurface.

Specify left or right  
 Color: CW, BU or SV

### OPEN METAL WORKSURFACE SUPPORT



PART #	HEIGHT	WIDTH	DEPTH	PRICE
F10MWS.2724	27.5"	—	24"	\$299
F10MWS.2730	27.5"	—	30"	\$330

NOTES

This support attaches to a worksurface and a frame or wall strip. It provides support and eliminates the need for a return frame.

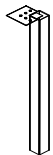
To convert from left handed to right handed, remove attachment brackets, and reinstall in the position needed.

Specify the depth of the worksurface support to match the depth of the worksurface.

Specify finish: CW, BU or SV

115

### SQUARE POST LEG



PART #	HEIGHT	WIDTH	DEPTH	PRICE
FISPL.2	27.5"	2"	2"	\$95
FISPL.3	27.5"	3"	3"	\$134

NOTES

Attaches to the underside of a worksurface and has an adjustable glide.

Specify finish: CW, BU or SV

### LAMINATE END PANEL

PART #	HEIGHT	WIDTH	DEPTH	PRICE
FIWSSEP.24-MEL	—	—	24"	\$293
FIWSSEP.30-MEL	—	—	30"	\$337

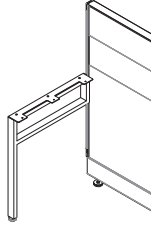
NOTES

This support attaches to a worksurface and a frame or wall strip.

Finishes: DT, MT, LG, BU or CW

Supports | cont'd

**SQUARE METAL P LEG SINGLE SUPPORT**



PART #	HEIGHT	WIDTH	DEPTH	PRICE
FISMLS.24	27.5"	—	24"	\$152
FISMLS.30	27.5"	—	30"	\$173

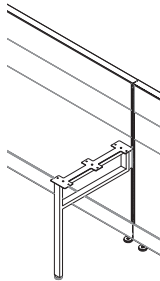
NOTES

This support attaches to a worksurface and a frame or wall strip. It provides support for a single worksurface.

To convert from left handed to right handed, remove attachment brackets, and reinstall in the position needed.

Specify the depth of the worksurface support to match the depth of the worksurface.

**SQUARE METAL P LEG DOUBLE SUPPORT**



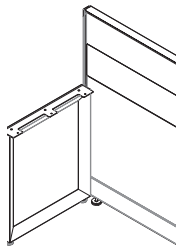
PART #	HEIGHT	WIDTH	DEPTH	PRICE
FISMLD.24	27.5"	—	24"	\$168
FISMLD.30	27.5"	—	30"	\$191

NOTES

This support attaches to a worksurface and a frame or wall strip. It provides support for two worksurfaces.

Specify the depth of the worksurface support to match the depth of the worksurface.

**SQUARE CORNER TRIANGLE SHAPE LEG SINGLE SUPPORT**



PART #	HEIGHT	WIDTH	DEPTH	PRICE
FITMLDS.24	27.5"	—	24"	\$185
FITMLDS.30	27.5"	—	30"	\$209

NOTES

This support leg attaches to a worksurface and a frame or wall strip. It provides support for a single worksurface.

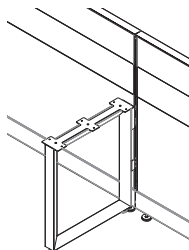
To connect from a left or right support, remove the top bar and reinstall it in the desired position.

Specify the depth of the support leg to match the depth of the worksurface.

Includes all attachment hardware.

Specify finish: CW or BU

**SQUARE CORNER TRIANGLE SHAPE LEG DOUBLE SUPPORT**



PART #	HEIGHT	WIDTH	DEPTH	PRICE
FITMLDD.24	27.5"	—	24"	\$198
FITMLDD.30	27.5"	—	30"	\$226

NOTES

This support leg attaches to a worksurface and a frame or wall strip. It provides support for a single worksurface.

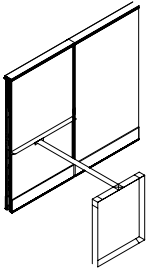
Specify the depth of the support leg to match the depth of the worksurface.

Includes all attachment hardware.

Specify finish: CW or BU

**Supports** | cont'd

**OPEN LEG WITH FRAME SUPPORT BAR**  
24" DEPTH



PART #	HEIGHT	WIDTH	DEPTH	PRICE
FITMLPS.4824	27.5"	48"	24"	\$588
FITMLPS.5424	27.5"	54"	24"	\$604
FITMLPS.6024	27.5"	60"	24"	\$622
FITMLPS.6624	27.5"	66"	24"	\$641
FITMLPS.7224	27.5"	72"	24"	\$657

**NOTES**

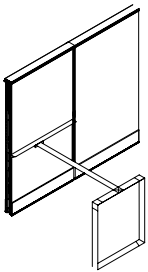
---

Includes leg and frame support bar

Includes all attachment hardware, specify depth to match worksurface and attaching frame.

For use with Rectangular Freestanding Worksurface (See page page 78)

**OPEN LEG WITH FRAME SUPPORT BAR**  
30" DEPTH



PART #	HEIGHT	WIDTH	DEPTH	PRICE
FITMLPS.4830	27.5"	48"	30"	\$624
FITMLPS.5430	27.5"	54"	30"	\$644
FITMLPS.6030	27.5"	60"	30"	\$659
FITMLPS.6630	27.5"	66"	30"	\$677
FITMLPS.7230	27.5"	72"	30"	\$694

**NOTES**

---

Includes leg and frame support bar

Includes all attachment hardware, specify depth to match worksurface and attaching frame.

For use with Rectangular Freestanding Worksurface (See page page 78)

**WORKSURFACE SUPPORT BRACKETS**

PART #	HEIGHT	PRICE
FSPL.CRED	2.75"	\$160

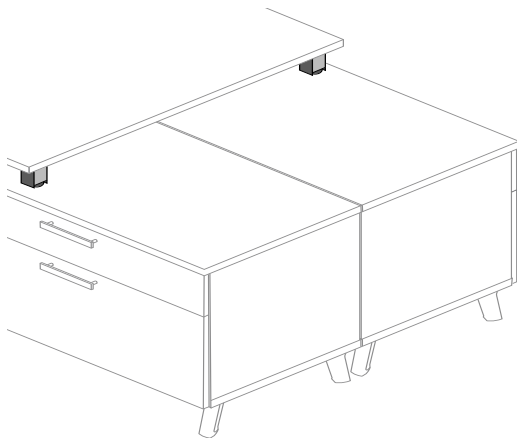
**NOTES**

---

Worksurface support brackets (pair)

Credenza mounted. For use with FCREDSQXX.18XX

Finishes: CW, MT, DT, BU





# Supports | cont'd

## TAPER & INSET LEGS

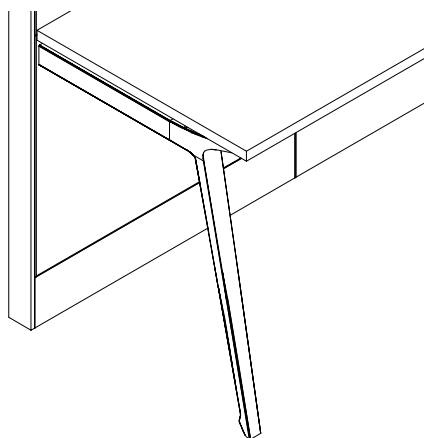
**DESCRIPTION**  
Taper and Inset Legs for use with the Interra workstation

**NOTES**

**SPECIFICATION OPTIONS**  
**product #:** see charts below  
**finish:** CW, SV, BU

- Systems angled leg

## TAPER LEGS

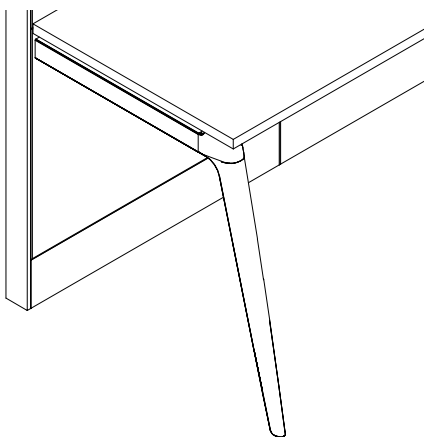


PART #	HEIGHT	DEPTH	LIST
FIATPL.24	27.5"	24"	\$529
FIATPL.30	27.5"	30"	\$540

**NOTES**

- Attaches to the underside of a worksurface

## INSET LEGS

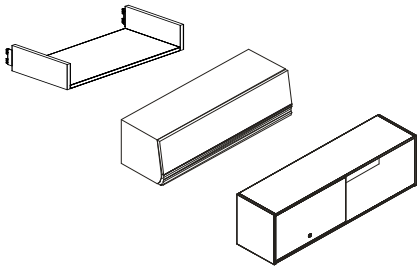


PART #	HEIGHT	DEPTH	LIST
FIAINL.24	27.5"	24"	\$446
FIAINL.30	27.5"	30"	\$456

**NOTES**

- Attaches to the underside of a worksurface

## Overheads and Shelves



DESCRIPTION

SPECIFICATION OPTIONS

**product #:** see charts below  
**finish:** CW Cloud White, BU Black Umber and SV Silver

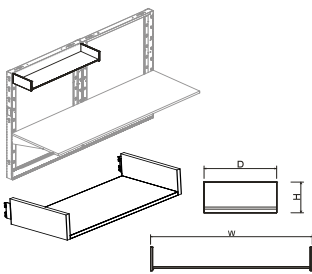
NOTES

- Two styles of profile available. Order to match sliding front overhead or pneumatic overhead.

ORDER EXAMPLE

**product #:** FISHS0.0824  
**finish:** CW

### STRAIGHT FRONT HALF HEIGHT SHELF



PART #	HEIGHT	WIDTH	DEPTH	PRICE
FISHS0.0824	7.5"	24"	13.5"	\$151
FISHS0.0830	7.5"	30"	13.5"	\$159
FISHS0.0836	7.5"	36"	13.5"	\$176
FISHS0.0842	7.5"	42"	13.5"	\$193
FISHS0.0848	7.5"	48"	13.5"	\$210

NOTES

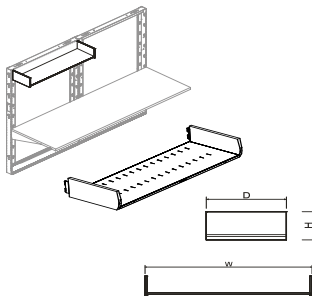
This shelf hangs from a frame or wall strips.

Includes attachment hardware

Profile matches sliding front overhead

Specify Finish

### RADIUS FRONT HALF HEIGHT SHELF



PART #	HEIGHT	WIDTH	DEPTH	PRICE
FIPHS0.0824	7.5"	24"	16"	\$156
FIPHS0.0830	7.5"	30"	16"	\$163
FIPHS0.0836	7.5"	36"	16"	\$181
FIPHS0.0842	7.5"	42"	16"	\$194
FIPHS0.0848	7.5"	48"	16"	\$204

NOTES

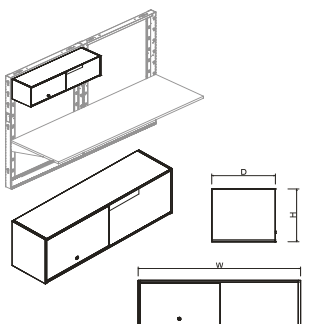
This shelf hangs from a frame or wall strips.

Includes attachment hardware

Profile matches pneumatic overhead

Specify Finish.

### SLIDING DOOR OVERHEAD CABINET



PART #	HEIGHT	WIDTH	DEPTH	PRICE
FISLOV.1624	15.5"	24"	14.25"	\$426
FISLOV.1630	15.5"	30"	14.25"	\$466
FISLOV.1636	15.5"	36"	14.25"	\$507
FISLOV.1642	15.5"	42"	14.25"	\$554
FISLOV.1648	15.5"	48"	14.25"	\$600

NOTES

This lockable sliding door storage cabinet hangs from a frame or wall strips.

Includes a painted sliding door front, a lock and attaching hardware.

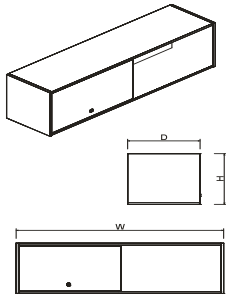
Door locks on left side only

Lock finish: Black

Specify Finish

## Overheads and Shelves | (cont'd)

### UPMOUNT SLIDING OVERHEAD CABINET



PART #	HEIGHT	WIDTH	DEPTH	PRICE
FISLOVU.1624	15.5"	24"	14.25"	\$501
FISLOVU.1630	15.5"	30"	14.25"	\$670
FISLOVU.1636	15.5"	36"	14.25"	\$735
FISLOVU.1642	15.5"	42"	14.25"	\$797
FISLOVU.1648	15.5"	48"	14.25"	\$867

**NOTES**

This lockable sliding door storage cabinet is up-mounted on a panel.

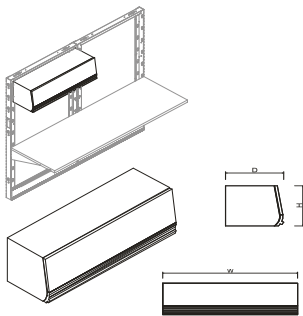
Includes a painted sliding door front, a lock and attaching hardware.

Door locks on left side only

Lock Finish: Black

Specify Finish

### PNEUMATIC OVERHEAD CABINET



PART #	HEIGHT	WIDTH	DEPTH	PRICE
FIPNOV.1624	15.5"	24"	16"	\$501
FIPNOV.1630	15.5"	30"	16"	\$548
FIPNOV.1636	15.5"	36"	16"	\$594
FIPNOV.1642	15.5"	42"	16"	\$636
FIPNOV.1648	15.5"	48"	16"	\$687

**NOTES**

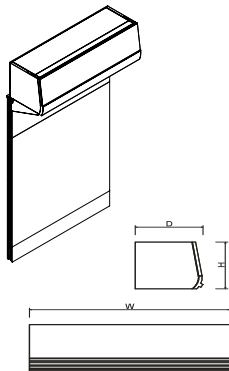
This storage cabinet, with lockable pneumatic door, hangs from a frame or wall strips.

Includes pneumatic assist flipper door, a lock, and attaching hardware.

Lock finish: Black

Specify Finish

### UPMOUNT PNEUMATIC OVERHEAD CABINET SOLID DOOR



PART #	HEIGHT	WIDTH	DEPTH	PRICE
FIPNOVU.1624	15.5"	24"	16"	\$605
FIPNOVU.1630	15.5"	30"	16"	\$670
FIPNOVU.1636	15.5"	36"	16"	\$735
FIPNOVU.1642	15.5"	42"	16"	\$797
FIPNOVU.1648	15.5"	48"	16"	\$867

**NOTES**

This storage cabinet, with lockable pneumatic door, up-mounts to the top of a panel.

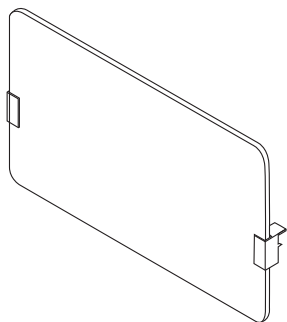
Includes pneumatic assist flipper door, a lock, and attaching hardware.

LED tasklight only.

Lock Finish: Black

Specify Finish.

## Privacy Screen, Fabric



### DESCRIPTION

Work Surface mounted fabric covered privacy screen

### NOTES

Fabric screen is non-tackable  
 Actual screen is shorter than the worktop.  
 Example: FPSFLUSH.2448 for use on 46"/48" width table, actual width of screen is 40"  
 Fabric covered privacy screens have Black Reveal.

**Passage and Terrain fabric not approved for this application.**

### SPECIFICATION OPTIONS

**product #:** see charts below  
**Paint (Brackets):** CW, BU, SV  
**fabric:** see page 9 (**Passage and Terrain fabric not approved for this application**)

### ORDER EXAMPLE

**product #:** FPSFLUSH.2442  
**brackets:** SV, Silver  
**fabric:** PF-101-1, Slide, Caramel

### Fabric Privacy Screen - Flush

PART #	HEIGHT	WIDTH	LIST
FPSFLUSH.2442	24"	34"	\$480
FPSFLUSH.2448	24"	40"	\$520
FPSFLUSH.2454	24"	46"	\$560
FPSFLUSH.2460	24"	52"	\$601
FPSFLUSH.2466	24"	58"	\$642
FPSFLUSH.2472	24"	64"	\$683

### NOTES

- Privacy screen sits flush with the back of the worktop.
- Fabric covered privacy screens have Black Reveal.
- Privacy screen is 8" shorter than free standing top width and 6" shorter than a worksurface from a paneled system.

Example:

1. Actual width of FPSFLUSH.2460 is 52"

### Fabric Privacy Screen - with Wire Management Gap

PART #	HEIGHT	WIDTH	LIST
FPSGAP.2442	24"	34"	\$480
FPSGAP.2448	24"	40"	\$520
FPSGAP.2454	24"	46"	\$560
FPSGAP.2460	24"	52"	\$601
FPSGAP.2466	24"	58"	\$642
FPSGAP.2472	24"	64"	\$683

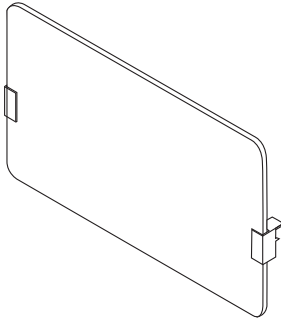
### NOTES

- Fabric covered privacy screens have Black Reveal.
- With 1" gap at back of worksurface for cord/wire management.

Example:

1. Actual width of FPSGAP.2460 is 52"

## Privacy Screen, Marker Board



### DESCRIPTION

Work Surface mounted marker board privacy screen

### NOTES

- To use a wire manager on your My-Hite table with a marker board privacy screen, you must order "with gap".
- Actual screen is shorter than the worktop. **Example:** FPSFLUSH.2448 for use on 46"/48" width table, actual width of screen is 40"
- Markerboards cannot be installed on stacking frames.

### SPECIFICATION OPTIONS

**product #:** see charts below  
**Paint (Brackets):** CW, BU, SV

### ORDER EXAMPLE

**product #:** FPSFLUSH.2442  
**brackets:** SV, Silver

### Marker Board Privacy Screen - Flush

PART #	HEIGHT	WIDTH	LIST
FMPSPFLUSH.2442	24"	34"	\$621
FMPSPFLUSH.2448	24"	40"	\$711
FMPSPFLUSH.2454	24"	46"	\$801
FMPSPFLUSH.2460	24"	52"	\$892
FMPSPFLUSH.2466	24"	58"	\$982
FMPSPFLUSH.2472	24"	64"	\$1,073

### NOTES

- Privacy screen sits flush with the back of the worktop.
- Privacy screen is 8" shorter than free standing top width and 6" shorter than a worksurface from a paneled system. **Example:** Actual width of FMPSPFLUSH.2460 is 52"
- Markerboards cannot be installed on stacking frames.

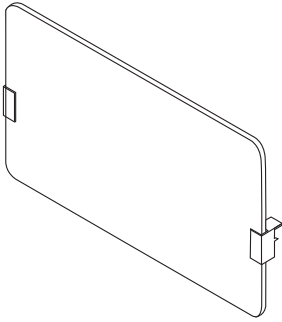
### Marker Board Privacy Screen - with Wire Management Gap

PART #	HEIGHT	WIDTH	LIST
FMPSPGAP.2442	24"	34"	\$621
FMPSPGAP.2448	24"	40"	\$711
FMPSPGAP.2454	24"	46"	\$801
FMPSPGAP.2460	24"	52"	\$892
FMPSPGAP.2466	24"	58"	\$982
FMPSPGAP.2472	24"	64"	\$1,073

### NOTES

- With 1" gap at back of worksurface for cord/wire management. **Example:** Actual width of FMPSPGAP.2460 is 52"
- Markerboards cannot be installed on stacking frames

## Privacy Screen, Laminate



### DESCRIPTION

Work Surface mounted laminate privacy screen

### NOTES

To use a wire manager on your My-Hite table with a laminate privacy screen, you must order "with gap".

Actual screen is shorter than the worktop.

Example: FPSFLUSH.2448 for use on 46"/48" width table, actual width of screen is 40"

### SPECIFICATION OPTIONS

**product #:** see charts below  
**Paint (Brackets):** CW, BU, SV  
**finish:** see page 12

### ORDER EXAMPLE

**product #:** FPSFLUSH.2442  
**brackets:** SV, Silver

### Laminate Privacy Screen - Flush

PART #	HEIGHT	WIDTH	LIST
FLPSFLUSH.2442	24"	34"	\$327
FLPSFLUSH.2448	24"	40"	\$364
FLPSFLUSH.2454	24"	46"	\$400
FLPSFLUSH.2460	24"	52"	\$436
FLPSFLUSH.2466	24"	58"	\$473
FLPSFLUSH.2472	24"	64"	\$509

### NOTES

- Privacy screen sits flush with the back of the worktop.
- Privacy screen is 8" shorter than free standing top width and 6" shorter than a worksurface from a paneled system.

Example:

1. Actual width of FLPSFLUSH.2460 is 52"

### Laminate Privacy Screen - with Wire Management Gap

PART #	HEIGHT	WIDTH	LIST
FLPSGAP.2442	24"	34"	\$327
FLPSGAP.2448	24"	40"	\$364
FLPSGAP.2454	24"	46"	\$400
FLPSGAP.2460	24"	52"	\$436
FLPSGAP.2466	24"	58"	\$473
FLPSGAP.2472	24"	64"	\$509

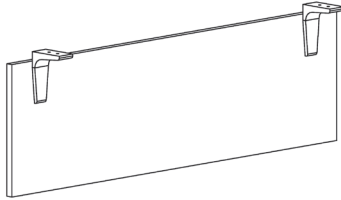
### NOTES

- With 1" gap at back of worksurface for cord/wire management.

Example:

1. Actual width of FLPSGAP.2460 is 52"

## Laminate Modesty Panel



DESCRIPTION

Laminate modesty panel with matching 2mm PVC edge

NOTES

NA

SPECIFICATION OPTIONS

**product #:** see charts below  
**Paint (Brackets)** CW, BU, SV  
**Laminate (Modesty Panel)** see page 12

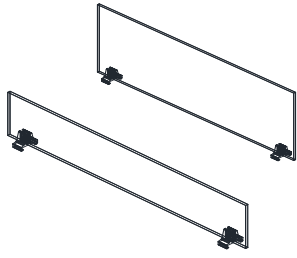
ORDER EXAMPLE

**product #:** FLMOD.0836  
**paint:** CW, Cloud White  
**laminate:** M12, Medium Walnut

### Laminate Modesty Panel

PART #	HEIGHT	WIDTH	LIST	NOTES
FLMOD.0836	8"	36"	\$197	• Modesty panel is actual width
FLMOD.0842	8"	42"	\$204	
FLMOD.0848	8"	48"	\$210	
FLMOD.0854	8"	54"	\$253	
FLMOD.0860	8"	60"	\$317	
FLMOD.0866	8"	66"	\$323	
FLMOD.0872	8"	72"	\$330	
FLMOD.0884	8"	84"	\$342	
FLMOD.0896	8"	96"	\$355	
FLMOD.1636	16"	36"	\$243	
FLMOD.1642	16"	42"	\$249	
FLMOD.1648	16"	48"	\$255	
FLMOD.1654	16"	54"	\$336	
FLMOD.1660	16"	60"	\$400	
FLMOD.1666	16"	66"	\$406	
FLMOD.1672	16"	72"	\$413	
FLMOD.1684	16"	84"	\$425	
FLMOD.1696	16"	96"	\$438	

## Frameless Glass



DESCRIPTION

NOTES

- Frameless Glass screens are attached to the top of a single frame with included hardware.
- Matches the width of the frame.
- 3/4" gap between glass in a straight line
- 5/16" gap at change of height bracket
- Frameless glass will not fit between two taller panels at change of height. Frameless glass is narrow enough to accommodate adjacent change of height trim on one side, but not both.

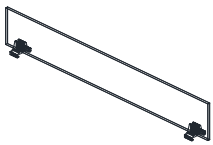
SPECIFICATION OPTIONS

product #: see charts below

ORDER EXAMPLE

product #: FIFG.0824-CL

### FRAMELESS GLASS 8" CLEAR



PART #	HEIGHT	WIDTH	DEPTH	PRICE
FIFG.0824-CL	8"	23-1/4"	—	\$324
FIFG.0830-CL	8"	29-1/4"	—	\$353
FIFG.0836-CL	8"	35-1/4"	—	\$379
FIFG.0842-CL	8"	41-1/4"	—	\$408
FIFG.0848-CL	8"	47-1/4"	—	\$435

NOTES

Includes attachment hardware, brushed finish.  
Package contains 2.

### FRAMELESS GLASS 14" CLEAR

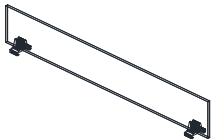


PART #	HEIGHT	WIDTH	DEPTH	PRICE
FIFG.1424-CL	14"	23-1/4"	—	\$411
FIFG.1430-CL	14"	29-1/4"	—	\$456
FIFG.1436-CL	14"	35-1/4"	—	\$500
FIFG.1442-CL	14"	41-1/4"	—	\$543
FIFG.1448-CL	14"	47-1/4"	—	\$594

NOTES

Includes attachment hardware, brushed finish.  
Package contains 2.

### FRAMELESS GLASS 8" FROSTED



PART #	HEIGHT	WIDTH	DEPTH	PRICE
FIFG.0824-FR	8"	23-1/4"	—	\$420
FIFG.0830-FR	8"	29-1/4"	—	\$471
FIFG.0836-FR	8"	35-1/4"	—	\$524
FIFG.0842-FR	8"	41-1/4"	—	\$575
FIFG.0848-FR	8"	47-1/4"	—	\$628

NOTES

Includes attachment hardware, brushed finish.  
Package contains 2.

### FRAMELESS GLASS 14" FROSTED



PART #	HEIGHT	WIDTH	DEPTH	PRICE
FIFG.1424-FR	14"	23-1/4"	—	\$575
FIFG.1430-FR	14"	29-1/4"	—	\$664
FIFG.1436-FR	14"	35-1/4"	—	\$753
FIFG.1442-FR	14"	41-1/4"	—	\$840
FIFG.1448-FR	14"	47-1/4"	—	\$932

NOTES

Includes attachment hardware, brushed finish.  
Package contains 2.

### FRAMELESS GLASS SLIM BRACKET

PART #	HEIGHT	WIDTH	DEPTH	PRICE
FIFGB-SL	—	—	—	\$54

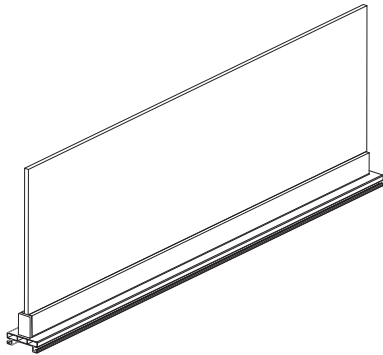
NOTES

Sold as single bracket.

Slim bracket is used in place of an existing bracket in configurations where an overhead storage is adjacent to the frameless glass.



# Top Cap | with Glass



**DESCRIPTION**

Top cap with glass attaches to the top of Interra frames. Glass is available in clear and frosted styles.

**NOTES**

- Product includes (1) Top Cap and (1) piece of glass.
- Attaches to the top of Interra frames
- Available in 8" and 14" heights
- Choice of clear or frosted glass
- Specify Top Cap finish
- Frameless glass will not fit between two taller panels at change of height. Frameless glass is narrow enough to accommodate adjacent change of height trim on one side, but not both.

**SPECIFICATION OPTIONS**

**product #:** see charts below  
**top cap finish:** see page 12

**ORDER EXAMPLE**

**product #:** FIGTC.0824-CL  
**top cap finish:** CW

**8"H, CLEAR**

PART #	HEIGHT	WIDTH	DEPTH	PRICE
FIGTC.0824-CL	8"	24"	—	\$184
FIGTC.0830-CL	8"	30"	—	\$215
FIGTC.0836-CL	8"	36"	—	\$247
FIGTC.0842-CL	8"	42"	—	\$279
FIGTC.0848-CL	8"	48"	—	\$312
FIGTC.0854-CL	8"	54"	—	\$371
FIGTC.0860-CL	8"	60"	—	\$416
FIGTC.0866-CL	8"	66"	—	\$460
FIGTC.0872-CL	8"	72"	—	\$507

**NOTES**

- Product includes (1) Top Cap and (1) piece of glass
- Attaches to the top of Interra frames
- 8" high Top Cap with clear glass
- Specify Top Cap finish (see page 12)

**8"H, FROSTED**

PART #	HEIGHT	WIDTH	DEPTH	PRICE
FIGTC.0824-FR	8"	24"	—	\$246
FIGTC.0830-FR	8"	30"	—	\$293
FIGTC.0836-FR	8"	36"	—	\$340
FIGTC.0842-FR	8"	42"	—	\$389
FIGTC.0848-FR	8"	48"	—	\$437
FIGTC.0854-FR	8"	54"	—	\$487
FIGTC.0860-FR	8"	60"	—	\$530
FIGTC.0866-FR	8"	66"	—	\$572
FIGTC.0872-FR	8"	72"	—	\$618

**NOTES**

- Product includes (1) Top Cap and (1) piece of glass
- Attaches to the top of Interra frames
- 8" high Top Cap with frosted glass
- Specify Top Cap finish (see page 12)

**14”H, CLEAR**

PART #	HEIGHT	WIDTH	DEPTH	PRICE
FIGTC.1424-CL	14”	24”	—	\$223
FIGTC.1430-CL	14”	30”	—	\$263
FIGTC.1436-CL	14”	36”	—	\$302
FIGTC.1442-CL	14”	42”	—	\$341
FIGTC.1448-CL	14”	48”	—	\$383
FIGTC.1454-CL	14”	54”	—	\$450
FIGTC.1460-CL	14”	60”	—	\$503
FIGTC.1466-CL	14”	66”	—	\$553
FIGTC.1472-CL	14”	72”	—	\$608

NOTES

- Product includes (1) Top Cap and (1) piece of glass
- Attaches to the top of Interra frames
- 14” high Top Cap with clear glass
- Specify Top Cap finish (see page 12)

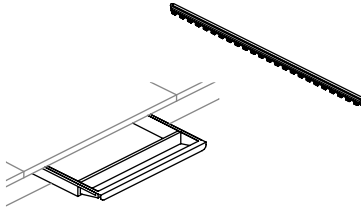
**14”H, FROSTED**

PART #	HEIGHT	WIDTH	DEPTH	PRICE
FIGTC.1424-FR	14”	24”	—	\$331
FIGTC.1430-FR	14”	30”	—	\$398
FIGTC.1436-FR	14”	36”	—	\$466
FIGTC.1442-FR	14”	42”	—	\$532
FIGTC.1448-FR	14”	48”	—	\$603
FIGTC.1454-FR	14”	54”	—	\$654
FIGTC.1460-FR	14”	60”	—	\$729
FIGTC.1466-FR	14”	66”	—	\$803
FIGTC.1472-FR	14”	72”	—	\$880

NOTES

- Product includes (1) Top Cap and (1) piece of glass
- Attaches to the top of Interra frames
- 14” high Top Cap with frosted glass
- Specify Top Cap finish (see page 12)

## Components



### SPECIFICATION OPTIONS

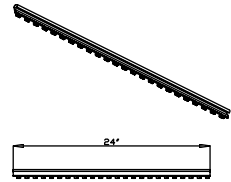
product #: see charts below

### LED TASKLIGHT



PART #	HEIGHT	WIDTH	DEPTH	PRICE	NOTES
FLED.20	0.75"	20"	1"	\$232	<ul style="list-style-type: none"> <li>Attaches beneath a shelf or storage cabinet.</li> </ul>
FLED.38	0.75"	38"	1"	\$292	<ul style="list-style-type: none"> <li>It includes an LED light, power cord, optional motion sensor, and installation hardware.</li> <li>The cord is 6 ft. long</li> <li>Has a pivot range of +/- 15°.</li> <li>FLED.20 for use on overheads 24" - 36".</li> <li>FLED.38 for use on overheads 42" or wider.</li> <li>Finish: Silver</li> </ul>

### WIRE MANAGER



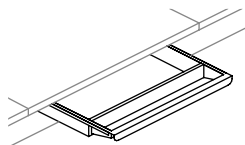
PART #	HEIGHT	WIDTH	PRICE	NOTES
FIWM.24	24"	.5"	\$23	<ul style="list-style-type: none"> <li>Used to manage electrical cords vertically. Fits between side by side tiles, or between a tile and a connector. It hangs on the frame slots.</li> <li>\$23 LIST Is for each</li> <li>Finish: Black</li> </ul>

### MESH WIRE MANAGER



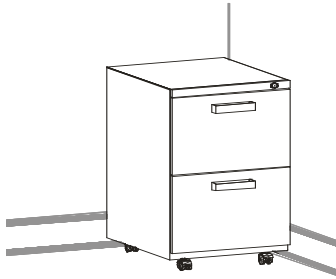
PART #	LENGTH	PRICE	NOTES
FFWM.18	18"	\$125	<ul style="list-style-type: none"> <li>Wire manager mounts to the bottom of a worksurface to manage cords</li> <li>Finish: Black with red zipper</li> </ul>
FFWM.34	34"	\$125	

### PENCIL DRAWER



PART #	HEIGHT	WIDTH	DEPTH	PRICE	NOTES
FIPD	1.875"	21.125"	16.25"	\$198	<ul style="list-style-type: none"> <li>Stores small items. Attaches to the underside of a worksurface. Includes attachment hardware.</li> <li>Only available in MT Medium Tone or DT Dark Tone.</li> </ul>

# Pedestals



DESCRIPTION

Metal storage with drawers

NOTES

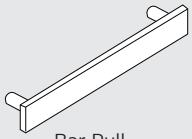
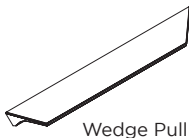
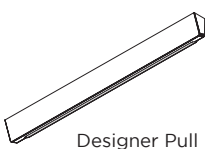
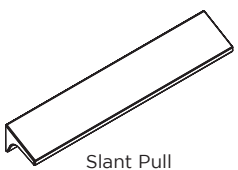
- Square drawer front
- Includes pencil tray in top drawer
- Order side-to-side file bars
- Specify pull when ordering
- Designer pull has color options: specify color when ordering. (See page 14)
- Bar Pull will be shipped in box on ALL orders, Premium Pulls will ship separately
- **If a cushion is placed on a full height mobile pedestal, it will not fit under a worksurface.**

SPECIFICATION OPTIONS

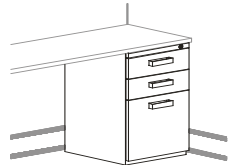
**product #:** see charts below  
**finish:** CW Cloud White, BU Black Umber  
**pull:** See page 14

ORDER EXAMPLE

**product #:** FPEDSQP.BBF-MET  
**finish:** CW  
**pull:** Wedge +75 (see upcharge below)

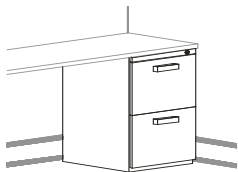
	DEFAULT PULL	PULLS REQUIRING UPCHARGE		
PEDESTAL PULL OPTIONS	 Bar Pull	 Wedge Pull	 Designer Pull • Cloud White/Red • Cloud White/Green • Cloud White/Grey	 Slant Pull

## BOX / BOX / FILE PEDESTAL



PART #	HEIGHT	WIDTH	DEPTH	PRICE	NOTES
FPEDSQP.BBF-MET	27"	15"	20"	\$656	<ul style="list-style-type: none"> <li>• Supporting metal pedestal with lock, without top cap. Attaches to the underside of a worksurface.</li> <li>• Square drawer front</li> <li>• Includes pencil tray in top drawer</li> <li>• Specify pull when ordering</li> <li>• Designer pull has color options: specify color when ordering. (See page 14)</li> <li>• Order side to side file bars</li> </ul>
WEDGE, DESIGNER OR SLANT PULL				+\$75	

## FILE / FILE PEDESTAL



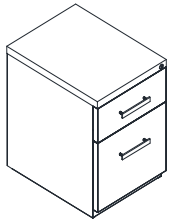
PART #	HEIGHT	WIDTH	DEPTH	PRICE	NOTES
FPEDSQP.FF-MET	27"	15"	20"	\$656	<ul style="list-style-type: none"> <li>• Supporting metal pedestal, with lock, without top cap. Attaches to the underside of a worksurface.</li> <li>• Square drawer front</li> <li>• Includes pencil tray in top drawer</li> <li>• Specify pull when ordering</li> <li>• Designer pull has color options: specify color when ordering. (See page 14)</li> <li>• Order side to side file bars.</li> </ul>
WEDGE, DESIGNER OR SLANT PULL				+\$50	

## SIDE TO SIDE FILE BAR

PART #	HEIGHT	WIDTH	DEPTH	PRICE	NOTES
FSSB	—	—	—	\$22	<ul style="list-style-type: none"> <li>• Side to side file bar for filing letter or legal size folders.</li> <li>• Order one per file drawer.</li> <li>• Finish: Black</li> </ul>

## Pedestals | (cont'd)

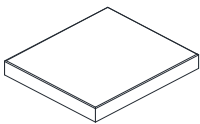
### BOX / FILE PEDESTAL MOBILE



PART #	HEIGHT	WIDTH	DEPTH	PRICE
FPEDSQ.BF-MOB-MET	22"	15"	20"	\$719
WEDGE, DESIGNER OR SLANT PULL				+\$50

- NOTES
- Free-standing mobile pedestal with lock and with top cap.
  - Square drawer front
  - Includes pencil tray in top drawer
  - Specify pull when ordering
  - Designer pull has color options: specify color when ordering. (See page 14)
  - Order side to side file bars.

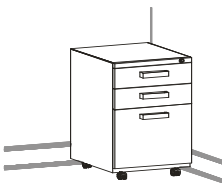
### BOX / FILE PEDESTAL MOBILE CUSHION



PART #	HEIGHT	WIDTH	DEPTH	PRICE
FPEDSQ.CUSH	1.75"	15"	20"	\$328

- NOTES
- For Box/File Mobile Pedestal only.
  - **If a cushion is placed on a full height mobile pedestal, it will not fit under a worksurface.**
  - Passage and Terrain fabrics cannot be used on pedestal cushions. (See page 9)

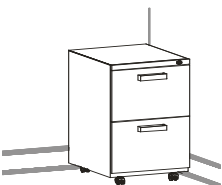
### BOX / BOX / FILE PEDESTAL MOBILE



PART #	HEIGHT	WIDTH	DEPTH	PRICE
FPEDSQ.BBF-MOB-MET	27.25"	15"	20"	\$853
WEDGE, DESIGNER OR SLANT PULL				+\$75

- NOTES
- Free-standing mobile pedestal with lock and with top cap.
  - Square drawer front
  - Includes pencil tray in top drawer
  - Specify pull when ordering
  - Designer pull has color options: specify color when ordering. (See page 14)
  - Order side to side file bars.
  - **If a cushion is placed on a full height mobile pedestal, it will not fit under a worksurface.**

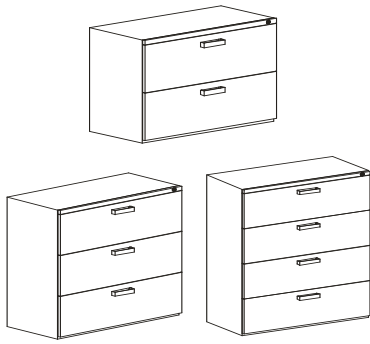
### FILE / FILE PEDESTAL MOBILE



PART #	HEIGHT	WIDTH	DEPTH	PRICE
FPEDSQ.FF-MOB-MET	27.25"	15"	20"	\$853
WEDGE, DESIGNER OR SLANT PULL				+\$50

- NOTES
- Free-standing mobile pedestal with lock and with top cap.
  - Square drawer front.
  - Includes pencil tray in top drawer
  - Specify pull when ordering
  - Designer pull has color options: specify color when ordering. (See page 14)
  - Order side to side file bars.
  - **If a cushion is placed on a full height mobile pedestal, it will not fit under a worksurface.**

## Lateral Files



### DESCRIPTION

Metal storage with drawers

### SPECIFICATION OPTIONS

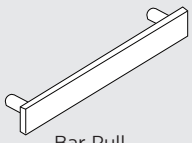
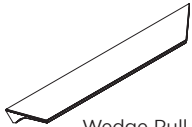
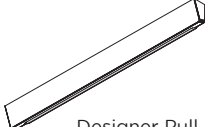
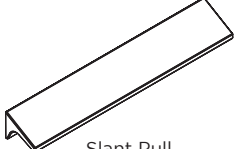
**product #:** see charts below  
**finish:** CW Cloud White, BU Black Umber  
**pull:** See page 14

### NOTES

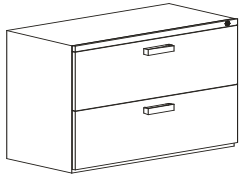
- Freestanding 3 and 4 drawer lateral files must be bolted together or bolted to a wall
- Order front to back file bars
- Specify pull when ordering
- Designer pull has color options: specify color when ordering. (See page 14)
- Bar Pull will be shipped in box on ALL orders, Premium Pulls will ship separately

### ORDER EXAMPLE

**product #:** FLFSQP-2-30-MET  
**finish:** CW  
**pull:** Wedge +75 (see upcharge below)

	DEFAULT PULL	PULLS REQUIRING UPCHARGE		
<b>LATERAL FILES PULL OPTIONS</b>	 Bar Pull	 Wedge Pull	 Designer Pull • Cloud White/Red • Cloud White/Green • Cloud White/Grey	 Slant Pull

### 2 DRAWER LATERAL FILES



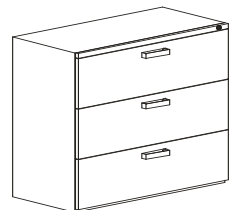
PART #	HEIGHT	WIDTH	DEPTH	PRICE
FLFSQP-2-30-MET	27.5"	30"	20"	\$1,177
FLFSQP-2-36-MET	27.5"	36"	20"	\$1,428
FLFSQP-2-42-MET	27.5"	42"	20"	\$1,462

WEDGE, DESIGNER OR SLANT PULL +\$50

### NOTES

- Supporting lateral file with lock and finished top cap.
- Square drawer front
- Order front to back file bars
- Specify pull when ordering
- Designer pull has color options: specify color when ordering. (See page 14)
- Order counterweight to convert to Free-Standing Lateral File.

### FREE-STANDING 3 DRAWER LATERAL FILES WITH TOP CAP



PART #	HEIGHT	WIDTH	DEPTH	PRICE
FLFSQP-3-30-MET	40"	30"	20"	\$1,524
FLFSQP-3-36-MET	40"	36"	20"	\$1,721
FLFSQP-3-42-MET	40"	42"	20"	\$1,872

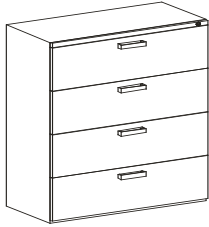
WEDGE, DESIGNER OR SLANT PULL +\$75

### NOTES

- Free-Standing Lateral File with lock and finished top cap.
- Square drawer front
- Specify pull when ordering
- Designer pull has color options: specify color when ordering. (See page 14)
- Order front to back file bars

## Lateral Files | (cont'd)

### FREE-STANDING 4 DRAWER LATERAL FILES WITH TOP CAP

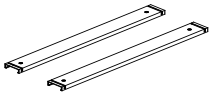


PART #	HEIGHT	WIDTH	DEPTH	PRICE	NOTES
FLFSQP-4-30-MET	51.5"	30"	20"	\$1,930	<ul style="list-style-type: none"> <li>Free-standing Lateral File with lock and finished top cap.</li> <li>Square drawer front</li> <li>Specify pull when ordering</li> <li>Designer pull has color options: specify color when ordering. (See page 14)</li> <li>Order front to back file bars</li> </ul>
FLFSQP-4-36-MET	51.5"	36"	20"	\$2,121	
FLFSQP-4-42-MET	51.5"	42"	20"	\$2,318	
WEDGE, DESIGNER OR SLANT PULL				+\$100	

### LATERAL FILE COUNTERWEIGHT

PART #	HEIGHT	WIDTH	DEPTH	PRICE	NOTES
FLFCW-30	*	use with 30" W lateral file		\$66	<ul style="list-style-type: none"> <li>Attaches securely to the inside back of the lateral file.</li> <li>For use with 2 Drawer Lateral File only.</li> <li>*Includes one 20 lb counterweight</li> <li>**Includes two 20 lb counterweights, for a total of 40 lbs of counterweight</li> </ul>
FLFCW-36	**	use with 36" W lateral file		\$99	
FLFCW-42	**	use with 42" W lateral file		\$99	

### FRONT TO BACK FILE BARS



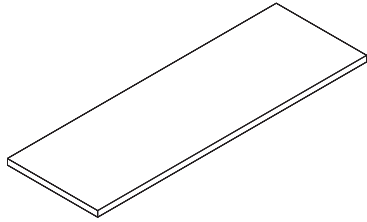
PART #	HEIGHT	WIDTH	DEPTH	PRICE	NOTES
FFB	3/8"	1 3/16"	15 11/16"	\$25	<ul style="list-style-type: none"> <li>Package of 2</li> <li>Order one package of 2 per drawer</li> <li>Finish: Black</li> </ul>

### EXTENDED GLIDES



PART #	HEIGHT	WIDTH	DEPTH	PRICE	NOTES
FLFEG4.2				\$50	<ul style="list-style-type: none"> <li>Lateral file extended glide 2", pack of 4, for use with metal 2 drawer lateral files.</li> <li>Order (1) pack per lateral file.</li> <li>No finish selection</li> </ul>

## Lateral File Tops Laminate



**DESCRIPTION**

Laminate top for lateral file.

**NOTES**

- Extended sizes are available, please contact Customer Service for details.

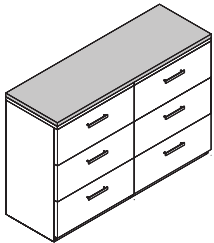
**SPECIFICATION OPTIONS**

**product #:** see charts below  
**finish:** see page 12  
**edge finish:** see page 12

**ORDER EXAMPLE**

**product #:** FLFSQTOP.2030  
**finish:** M1  
**edge finish:** E1

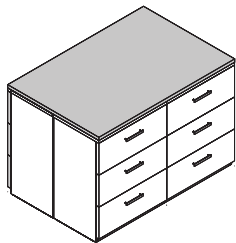
### LATERAL FILE LAMINATE TOPS, 20" DEEP



PART #	HEIGHT	WIDTH	DEPTH	PRICE
FLFSQTOP.2030	1.19"	30"	20"	\$235
FLFSQTOP.2036	1.19"	36"	20"	\$275
FLFSQTOP.2042	1.19"	42"	20"	\$301
FLFSQTOP.2060	1.19"	60"	20"	\$504
FLFSQTOP.2066	1.19"	66"	20"	\$520
FLFSQTOP.2072	1.19"	72"	20"	\$536
FLFSQTOP.2078	1.19"	78"	20"	\$562
FLFSQTOP.2084	1.19"	84"	20"	\$589
FLFSQTOP.2090	1.19"	90"	20"	\$641
FLFSQTOP.2096	1.19"	96"	20"	\$818

**NOTES**

### LATERAL FILE LAMINATE TOPS, 40" DEEP

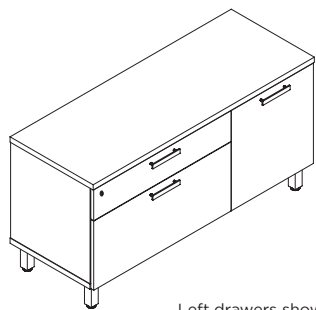


PART #	HEIGHT	WIDTH	DEPTH	PRICE
FLFSQTOP.4030	1.19"	30"	40"	\$491
FLFSQTOP.4036	1.19"	36"	40"	\$562
FLFSQTOP.4042	1.19"	42"	40"	\$595
FLFSQTOP.4060	1.19"	60"	40"	\$719
FLFSQTOP.4066	1.19"	66"	40"	\$752
FLFSQTOP.4072	1.19"	72"	40"	\$785
FLFSQTOP.4078	1.19"	78"	40"	\$834
FLFSQTOP.4084	1.19"	84"	40"	\$883
FLFSQTOP.4090	1.19"	90"	40"	\$981
FLFSQTOP.4096	1.19"	96"	40"	\$1,177

**NOTES**



## Freestanding Credenza Units



Left drawers shown

### DESCRIPTION

Locking laminate storage unit with drawers, door and feet.

### SPECIFICATION OPTIONS

**product #:** see charts below  
**top, front & casing finish:** See page 12  
**drawer side:** L for Left, R for Right  
**pull:** See page 14  
**foot:** Post, Taper or Inset (note finishes below)

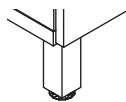
### NOTES

- Drawers can be specified L for left side drawers or R for right side drawers
- Specify pull when ordering
- Designer pull has color options: specify color when ordering. (See page 14)
- Drawers are always 30" wide. Closed door shelf size varies based on the width

### ORDER EXAMPLE

**product #:** FCREDSQAP.1842L  
**top finish:** M13  
**front finish:** M28  
**casing finish:** M28  
**foot:** TAPER  
**foot finish:** SV  
**pull:** Wedge

### CREDENZA Foot OPTIONS



Post foot



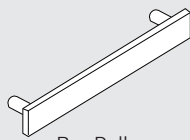
Taper foot (CW, BU, SV)



Inset foot (CW, BU, SV)

### CREDENZA PULL OPTIONS

#### DEFAULT PULL

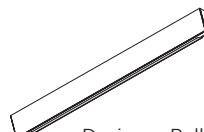


Bar Pull

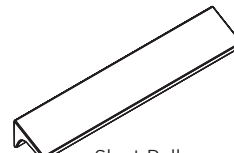
#### PREMIUM PULLS



Wedge Pull

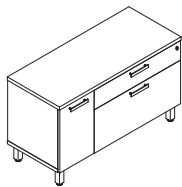


Designer Pull  
 • Cloud White/Red  
 • Cloud White/Green  
 • Cloud White/Grey

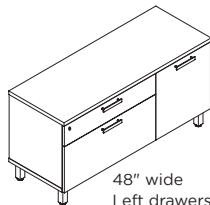


Slant Pull

### FREESTANDING CREDENZA



42" wide  
Right drawers shown



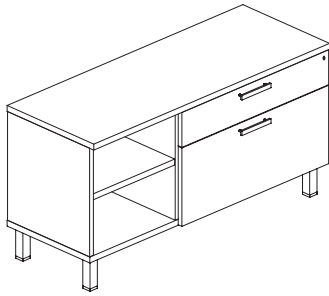
48" wide  
Left drawers shown

PART #	HEIGHT	WIDTH	DEPTH	PRICE
FCREDSQAP.1842L	26"	42"	18"	\$1,619
FCREDSQAP.1842R	26"	42"	18"	\$1,619
FCREDSQAP.1848L	26"	48"	18"	\$1,771
FCREDSQAP.1848R	26"	48"	18"	\$1,771
FCREDSQAP.1860L	26"	60"	18"	\$1,994
FCREDSQAP.1860R	26"	60"	18"	\$1,994

### NOTES

Freestanding Credenza with feet, storage unit and drawers.  
 Square drawer front  
 Drawers are always 30" wide. Closed door shelf size varies based on the width.  
 Specify pull when ordering  
 Designer pull has color options: specify color when ordering. (see page 14)

## Freestanding Credenza Units - CONTINUED



Right drawers shown

### DESCRIPTION

Locking laminate storage unit with drawers and open shelves.

### NOTES

- Drawers can be specified L for left side drawers or R for right side drawers
- Specify pull when ordering
- Designer pull has color options: specify color when ordering. (See page 14)
- Drawers are always 30" wide. Open shelf size varies based on the width.

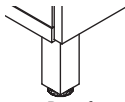
### SPECIFICATION OPTIONS

**product #:** see charts below  
**top, front & casing finish:** See page 12  
**drawer side:** L for Left, R for Right  
**pull:** See page 14  
**foot:** Post, Taper or Inset (note finishes below)

### ORDER EXAMPLE

**product #:** FCREDSQOP.1842L  
**top finish:** M13  
**front finish:** M28  
**casing finish:** M28  
**foot:** TAPER  
**foot finish:** SV  
**pull:** Wedge

### CREDENZA FEET OPTIONS



Post foot (Brushed only)

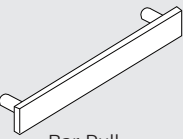


Taper foot (CW, BU, SV)



Inset foot (CW, BU, SV)

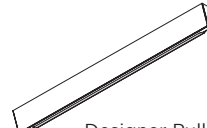
### CREDENZA PULL OPTIONS



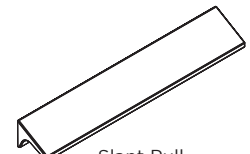
Bar Pull



Wedge Pull

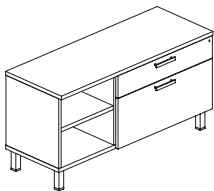


Designer Pull  
 • Cloud White/Red  
 • Cloud White/Green  
 • Cloud White/Grey



Slant Pull

### FREESTANDING CREDENZA

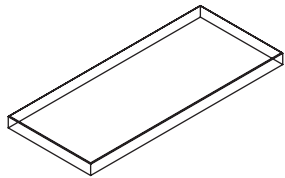


Right drawers shown

PART #	HEIGHT	WIDTH	DEPTH	PRICE	NOTES
FCREDSQOP.1842L	26"	42"	18"	\$1,190	Freestanding Credenza with feet, open shelves and drawers.
FCREDSQOP.1842R	26"	42"	18"	\$1,190	
FCREDSQOP.1848L	26"	48"	18"	\$1,323	Square drawer front.
FCREDSQOP.1848R	26"	48"	18"	\$1,323	Drawers are always 30" wide. Open shelf size varies based on the width.
FCREDSQOP.1860L	26"	60"	18"	\$1,515	Specify pull when ordering Designer pull has color options: specify color when ordering. (see page 14)
FCREDSQOP.1860R	26"	60"	18"	\$1,515	

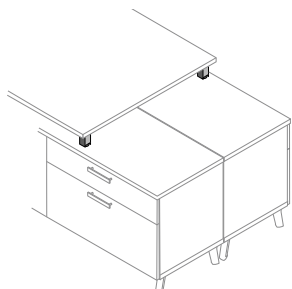
## Freestanding Credenza Units - CONTINUED

### CREDENZA CUSHION



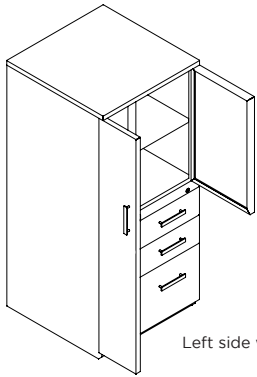
PART #	HEIGHT	WIDTH	DEPTH	PRICE	NOTES
FCREDSQ.CUSH30	1.75"	30"	18"	\$338	For use with Credenza only.
FCREDSQ.CUSH36	1.75"	36"	18"	\$345	Specify standard fabric.
FCREDSQ.CUSH42	1.75"	42"	18"	\$389	Passage and Terrain fabrics cannot be used on credenza cushions.
FCREDSQ.CUSH48	1.75"	48"	18"	\$432	(See page 9)
FCREDSQ.CUSH60	1.75"	60"	18"	\$519	

### WORKSURFACE SUPPORT BRACKETS



PART #	HEIGHT	PRICE	NOTES
FSPLCRED	2.75"	\$160	Worksurface support brackets (pair) Credenza mounted. For use with FCREDSQXX.18XX Finishes: CW, MT, DT, BU

## Freestanding Towers



Left side wardrobe shown.

### DESCRIPTION

Metal storage tower with drawers, door, and wardrobe.

### NOTES

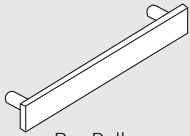
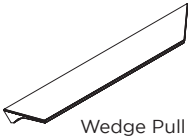
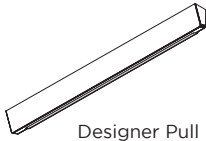
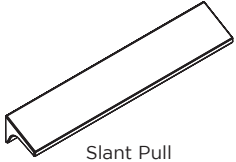
- Drawers have a lock
- Door and cabinet do not have locks
- Specify pull when ordering
- Designer pull has color options: specify color when ordering. (See page 14)
- Bar Pull will be shipped in box on ALL orders, Premium Pulls will ship separately

### SPECIFICATION OPTIONS

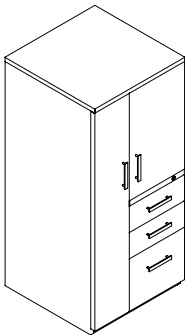
**product #:** see charts below  
**finish:** CW Cloud White, BU Black Umber  
**pull:** See page 14

### ORDER EXAMPLE

**product #:** FTBBFP.2453L  
**finish:** CW  
**pull:** Wedge +75 (see upcharge below)

	DEFAULT PULL	PULLS REQUIRING UPCHARGE		
<b>FREESTANDING TOWERS PULL OPTIONS</b>	 Bar Pull	 Wedge Pull	 Designer Pull • Cloud White/Red • Cloud White/Green • Cloud White/Grey	 Slant Pull

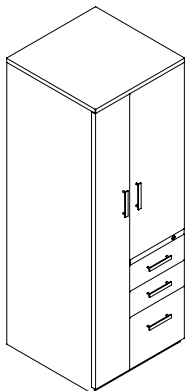
### FREESTANDING TOWERS 53" HIGH



Left side wardrobe shown.

PART #	HEIGHT	WIDTH	DEPTH	PRICE	NOTES
FTBBFP.2453L	53"	24"	24"	\$2,158	Free-standing tower, 53" high. Square drawer front Order side to side file bars Specify pull when ordering Designer pull has color options: specify color when ordering. (See page 14) Specify wardrobe on left or right side
FTBBFP.2453R	53"	24"	24"	\$2,158	
WEDGE, DESIGNER OR SLANT PULL				+\$125	

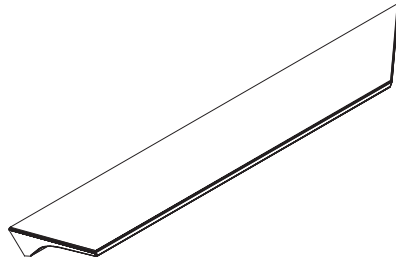
### FREESTANDING TOWERS 67" HIGH



Left side wardrobe shown.

PART #	HEIGHT	WIDTH	DEPTH	PRICE	NOTES
FTBBFP.2467L	67"	24"	24"	\$2,698	Free-standing tower, 67" high. Square drawer front. Order side to side file bars Specify pull when ordering Designer pull has color options: specify color when ordering. (See page 14) Specify wardrobe on left or right side.
FTBBFP.2467R	67"	24"	24"	\$2,698	
WEDGE, DESIGNER OR SLANT PULL				+\$125	

## Pulls Lateral



DESCRIPTION

3 different pull options to choose from

NOTES

- Wedge Pull for Lateral
- Designer pull has color options: specify color when ordering. (See chart below)
- Slant Pull for Lateral

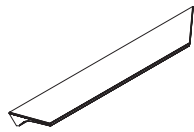
SPECIFICATION OPTIONS

**product #:** see charts below  
**pull:** see charts below

ORDER EXAMPLE

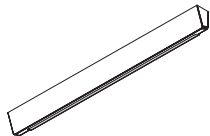
**product #:** WEDGE-PULL-244  
**pull:** Wedge

### WEDGE PULL FOR LATERAL



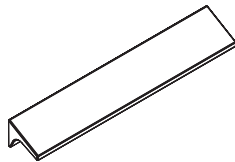
PART #	LIST	NOTES
WEDGE-PULL-244	\$25	Wedge Pull for Lateral

### DESIGNER PULL FOR LATERAL



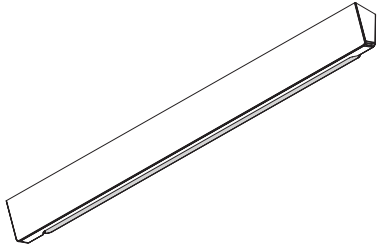
PART #	LIST	NOTES
DESIGNER-PULL-250-RED	\$25	Designer Pull is CW (Cloud White) with non-slip color trim on underside. Trim available in 3 colors: Red, Green, and Grey
DESIGNER-PULL-250-GREEN	\$25	
DESIGNER-PULL-250-GREY	\$25	

### SLANT PULL FOR LATERAL



PART #	LIST	NOTES
SLANT-PULL-199	\$25	Slant Pull for Lateral

## Pulls Pedestal



### DESCRIPTION

3 different pull options to choose from

### NOTES

- Wedge Pull for Pedestal
- Designer pull has color options: specify color when ordering. (See chart below)
- Slant Pull for the Pedestal

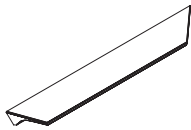
### SPECIFICATION OPTIONS

**product #:** see charts below  
**pull:** see charts below

### ORDER EXAMPLE

**product #:** DESIGNER-PULL-250-RED  
**pull:** Designer Pull, RED

### WEDGE PULL FOR PEDESTAL



#### PART #

WEDGE-PULL-167

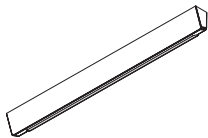
#### LIST

\$25

#### NOTES

Wedge Pull for Pedestal

### DESIGNER PULL FOR PEDESTAL



#### PART #

DESIGNER-PULL-250-RED

DESIGNER-PULL-250-GREEN

DESIGNER-PULL-250-GREY

#### LIST

\$25

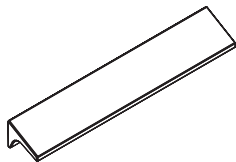
\$25

\$25

#### NOTES

Designer Pull is CW (Cloud White) with non-slip color trim on underside. Trim available in 3 colors: Red, Green, and Grey

### SLANT PULL FOR PEDESTAL



#### PART #

SLANT-PULL-167

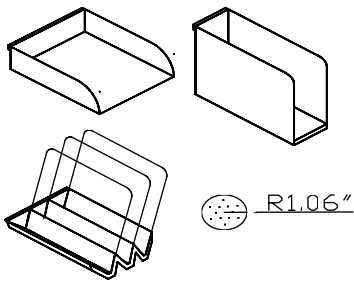
#### LIST

\$25

#### NOTES

Slant Pull for Pedestal

## Accessories



**NOTES**

- Carpet Gripper available in Black only

**SPECIFICATION OPTIONS**

**product #:** see charts below  
**finish:** CW Cloud White, BU Black Umber

**ORDER EXAMPLE**

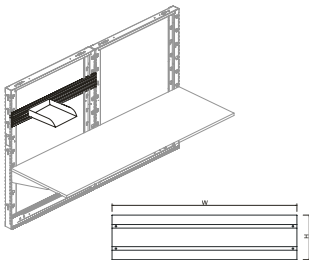
**product #:** FITB.24  
**finish:** CW

### DESK MOUNTED POWER UNIT



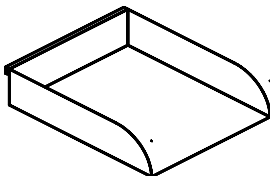
PART #	PRICE	NOTES
FPWR.DM	\$375	<ul style="list-style-type: none"> <li>• Worksurface mounted power unit</li> <li>• The power cord comes attached to the unit. The cord measures approximately 6 ft in length.</li> <li>• Includes 3 plugs and 2 USB ports</li> <li>• finish: available in BU and CW</li> </ul>

### TOOL BARS



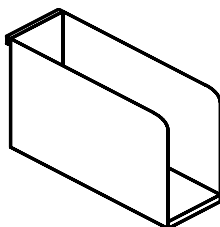
PART #	HEIGHT	WIDTH	DEPTH	PRICE	NOTES
FITB.24	—	24"	—	\$77	Attaches to a frame or to wall strips.
FITB.30	—	30"	—	\$94	
FITB.36	—	36"	—	\$110	Specify Tool Bar width the same as the frame. Order Rail Tools separately.
FITB.42	—	42"	—	\$127	
FITB.48	—	48"	—	\$142	

### FLAT PAPER TRAY



PART #	HEIGHT	WIDTH	DEPTH	PRICE	NOTES
FFPT	3"	10"	12"	\$42	Order tool bar separately.

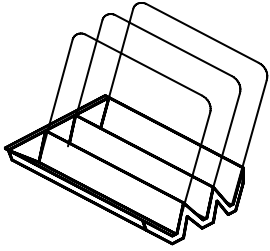
### VERTICAL SINGLE TRAY



PART #	HEIGHT	WIDTH	DEPTH	PRICE	NOTES
FVST	8"	4"	12"	\$40	Order tool bar separately.

## Accessories

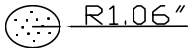
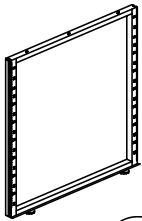
### VERTICAL TRIPLE TRAY



PART #	HEIGHT	WIDTH	DEPTH	PRICE
FVTT	11"	12"	12"	\$78

NOTES
Order tool bar separately.

### CARPET GRIPPER



PART #	HEIGHT	WIDTH	DEPTH	PRICE
FICG	—	2.125"	—	\$6

NOTES
Plastic Gripper fits onto the adjustable glides of frames,
Do not use on hard surface flooring.
Finish: Black

### SINGLE MONITOR ARM



PART #	HEIGHT	WIDTH	DEPTH	LIST
FMA-S	—	—	—	\$568

NOTES
CW, SV, BU Finish
Includes attachment hardware for clamp, grommet and Verity track mount.

### DUAL MONITOR ARM



PART #	HEIGHT	WIDTH	DEPTH	LIST
FMA-D	—	—	—	\$811

NOTES
CW, SV, BU Finish
Includes attachment hardware for clamp, grommet and Verity track mount.



## Keyed-Alike Information

**DESCRIPTION**

All Friant Pedestals, Lateral Files, and Overhead Cabinets can be keyed-alike.

**SPECIFICATION OPTIONS**

**product #:** see charts below

**NOTES**

- Keyed-Alike Lock Cores are sold in sets of 4.or 6.
- Each set of keyed alike cores includes the cores, each core has two keys and all cores are the same lock number.
- Lock core removal/change keys will need to be ordered separately.
- Specific lock numbers are unavailable

**ORDER EXAMPLE**

**product #:** METAL1-KEY-ALIKE-6

### KEYED-ALIKE LOCKS

#### METAL STORAGE

PART #	DESCRIPTION	PRICE
METAL1-KEY-ALIKE-4	Lock Core Keyed-Alike (set of 4)-Type 1 Metal Storage	\$139
METAL1-KEY-ALIKE-6	Lock Core Keyed-Alike (set of 6)-Type 1 Metal Storage	\$209
METAL1-FCK	Lock Core Change Key - Type 1 Metal Storage	\$21
METAL1 -FMK	Lock Core Master Key - Type 1 Metal Storage	\$21
METAL1-KEYBLANK	Key Blank - Type 1 Metal Storage	\$3 each
METAL1-KEY-CORE	Single Lock Core - Type 1 Metal Storage	\$35 each

#### LAMINATE CREDENZAS

PART #	DESCRIPTION	PRICE
LAM1-KEY-ALIKE-4	Lock Core Keyed-Alike (set of 4) - Type 1 Laminate Storage	\$139
LAM1-KEY-ALIKE-6	Lock Core Keyed-Alike (set of 6)- Type 1 Laminate Storage	\$209
LAM1-FCK	Lock Core Change Key - Type 1 Laminate Storage	\$21
LAM1-FMK	Lock Core Master Key - Type 1 Laminate Storage	\$21
LAM1-KEY-CORE	Single Lock Core - Type 1 Laminate Storage	\$35 each