

DASH INSTALL FAQ



TABLE OF CONTENTS

Resting Tabletops

Concave Connecting Beam	3
Straight Connecting Beam	4
Post Legs	5

Freestanding Tabletops

Concave Connecting Beam	6
Straight Connecting Beam	7
Post Legs	8

Return Tabletops

Concave Connecting Beam	9
Straight Connecting Beam	10
Post Legs	11

Resting Bridge Tabletop

Inset/Taper Legs	12
Post Legs	13

Freestanding Bridge

Conference Tables

Round and Square Tables with Inset/Taper Legs	15
Round and Square Tables with Post Legs	16

Storage

Hutch Overhead	17
Shared Hutch Overhead.....	18
Wall Mounted Overhead.....	19
Wall Mounted Tackboard	21

Interra Connectors

Credenza Brackets	22
Panel Mount Kit	23

Components

Modesty Panel	24
Privacy Screen	25
Credenza Feet Installation	26
Credenza Feet Matrix	27

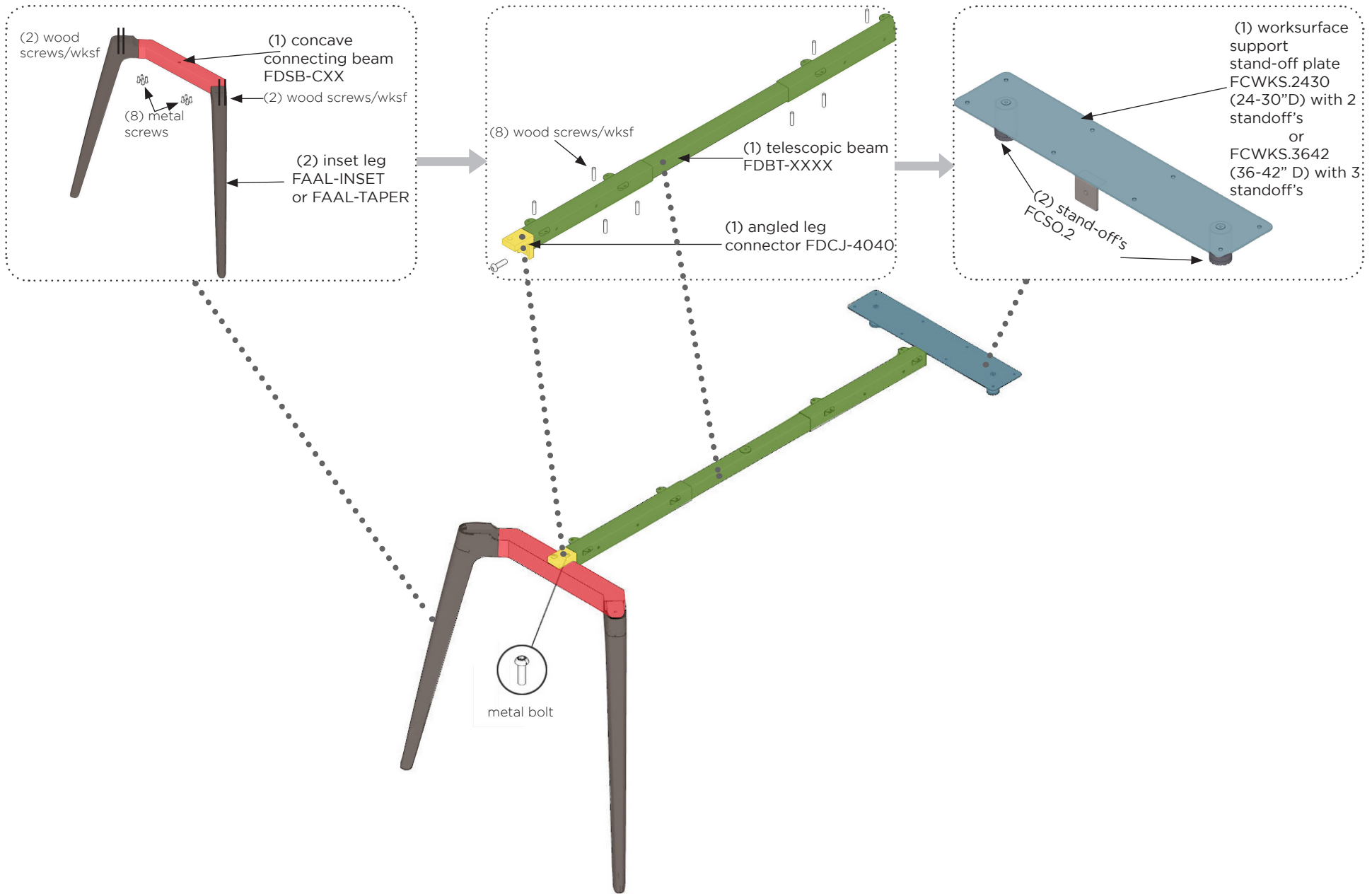
Electrical Distribution

Credenza Power: Single Circuit	28
Credenza Power: Four Circuit	29
4 circuit wire diagram	30

Image Key.....

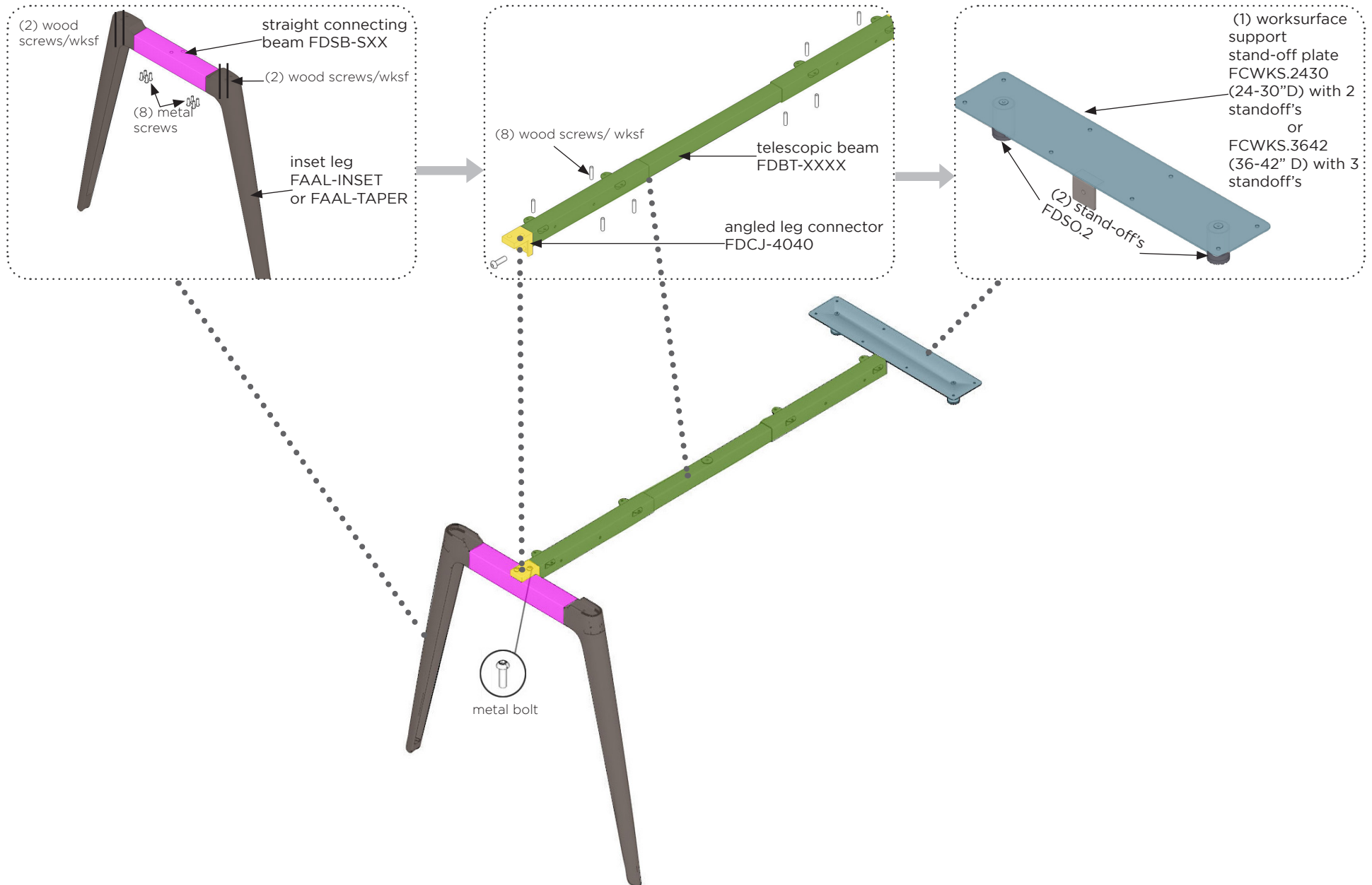
Resting Tabletops

Concave Connecting Beam, for use with 26" high credenza



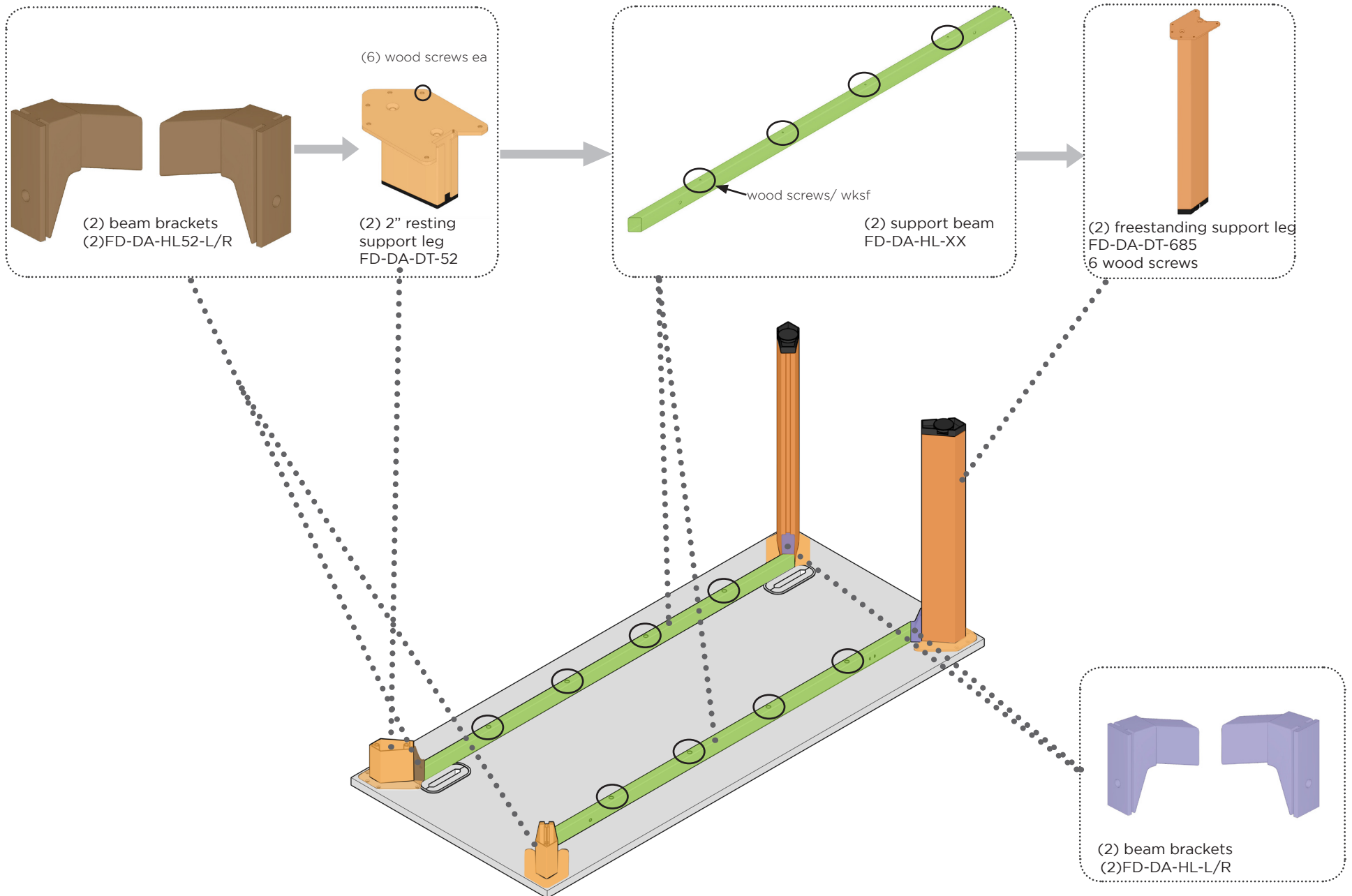
Resting Tabletops

Straight Connecting Beam, for use with 26" high credenza



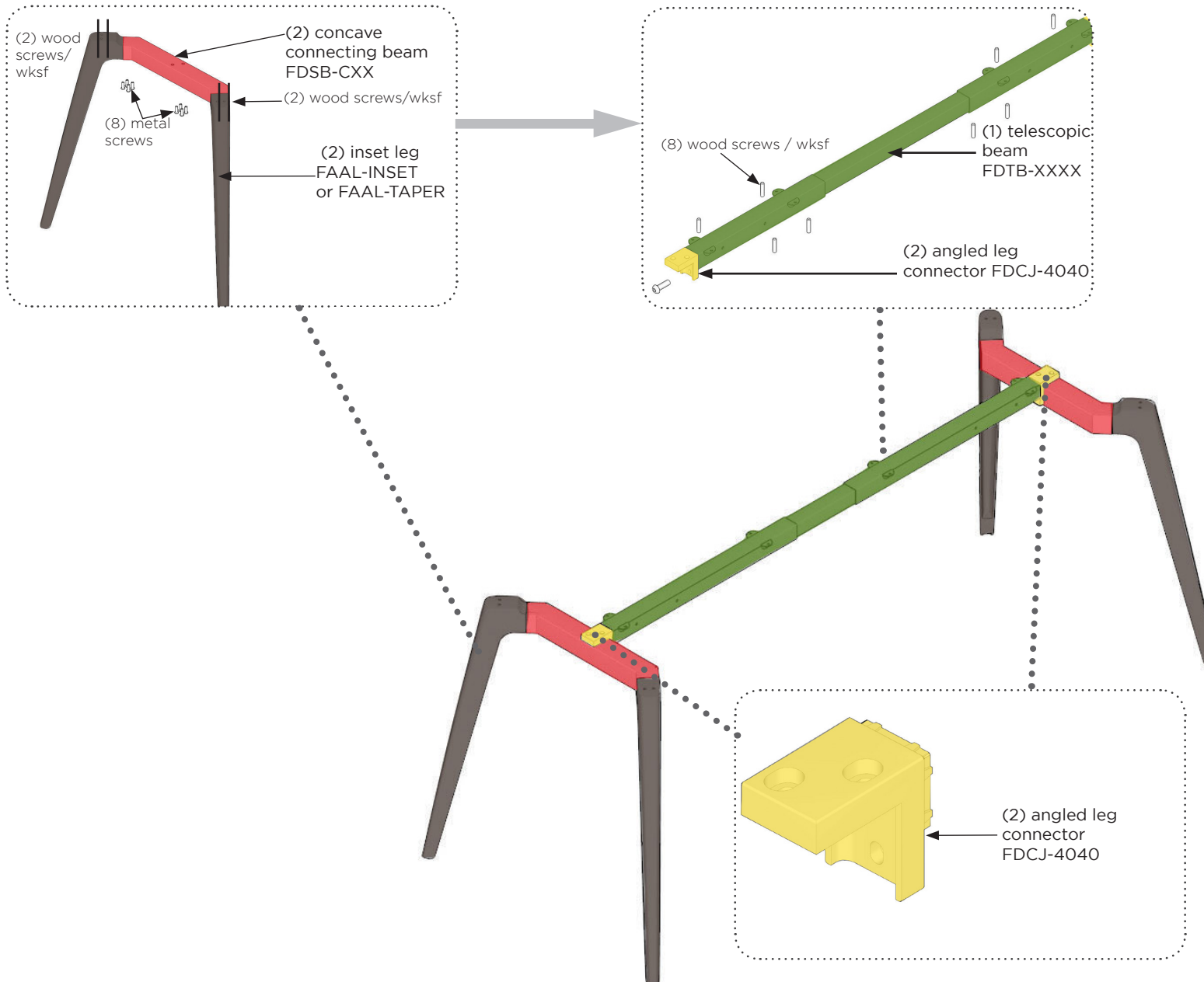
Resting Tabletops

Post Legs, for use with 26" high credenza



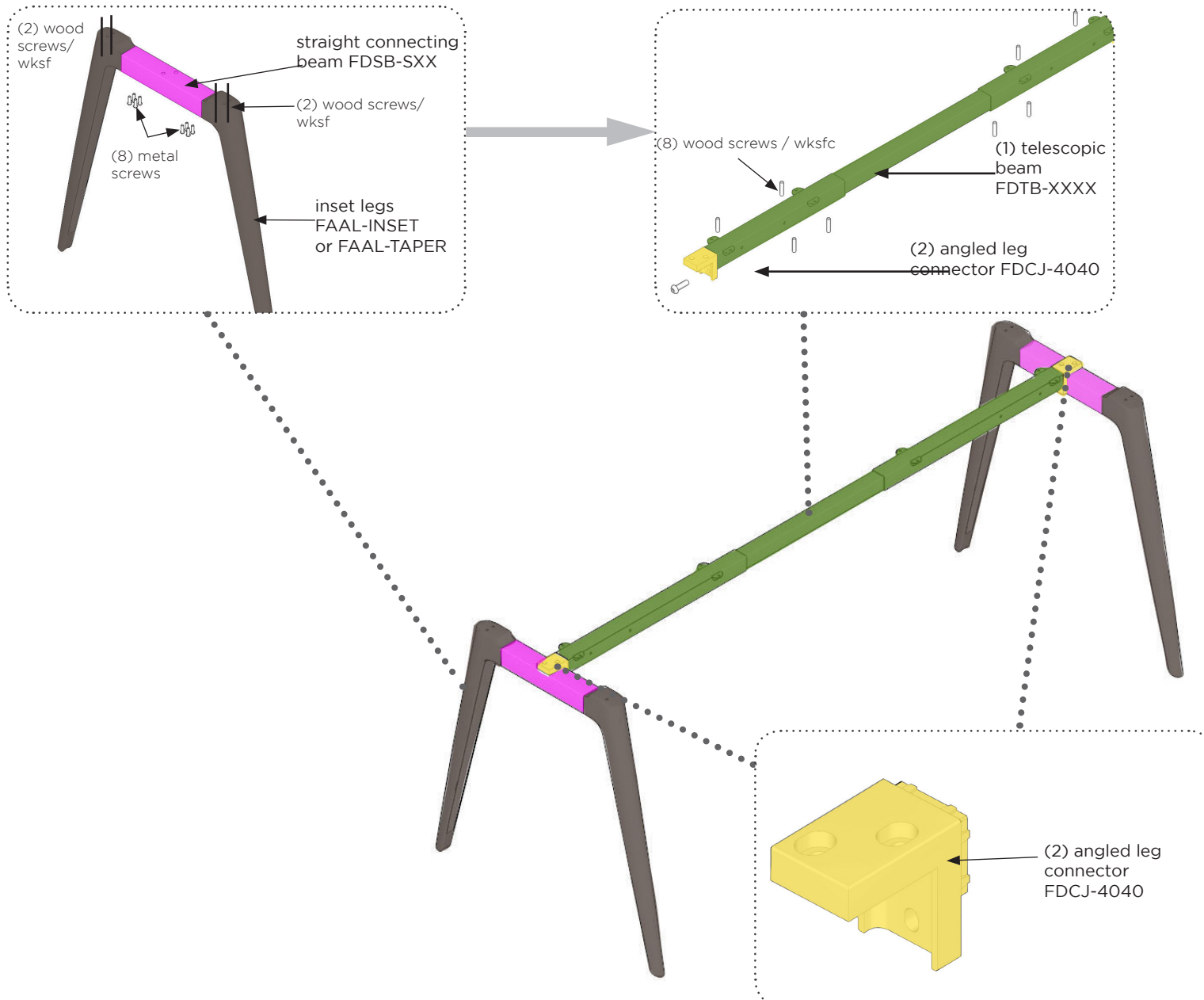
Freestanding Tabletops

Concave Connecting Beam



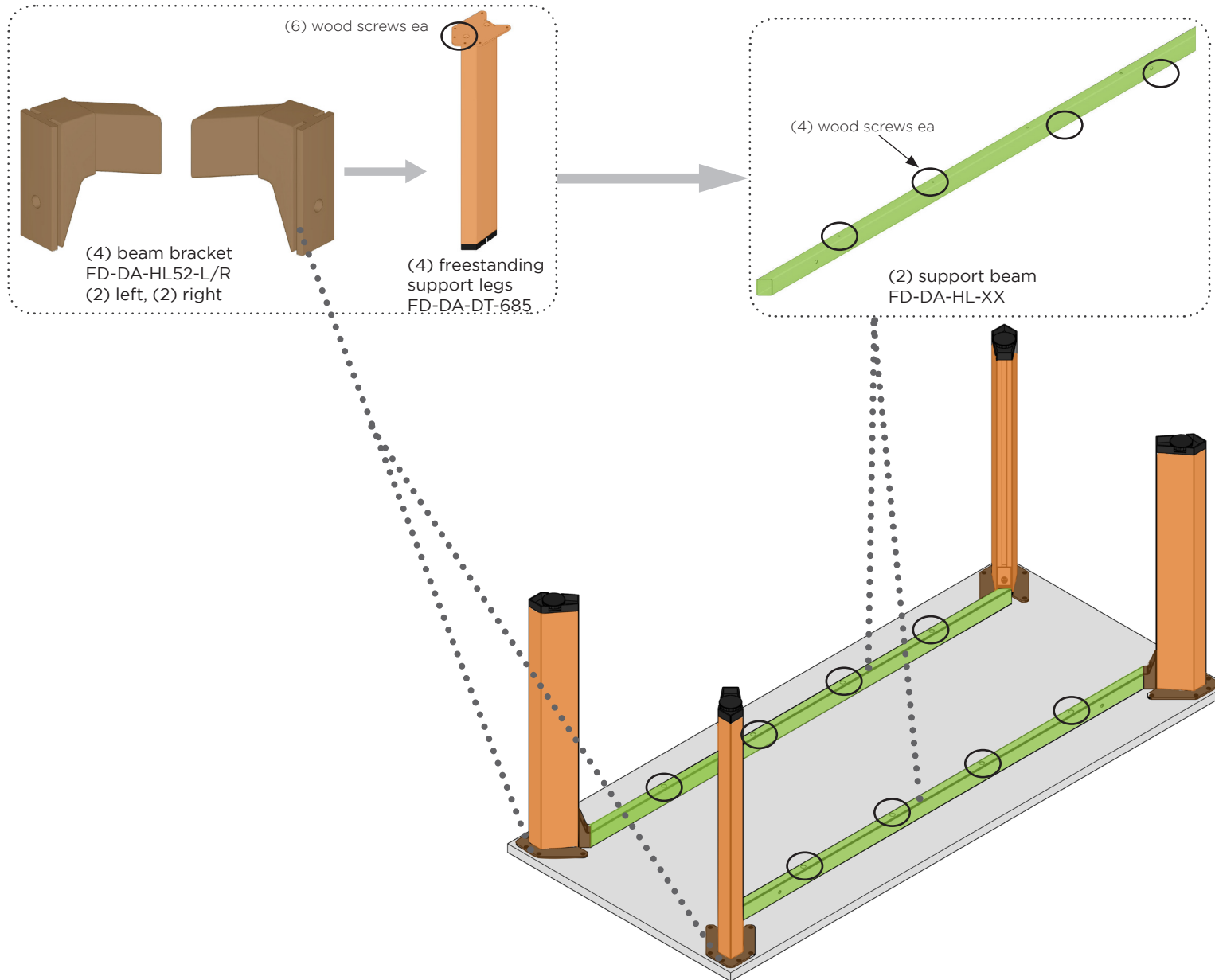
Freestanding Tabletops

Straight Connecting Beam



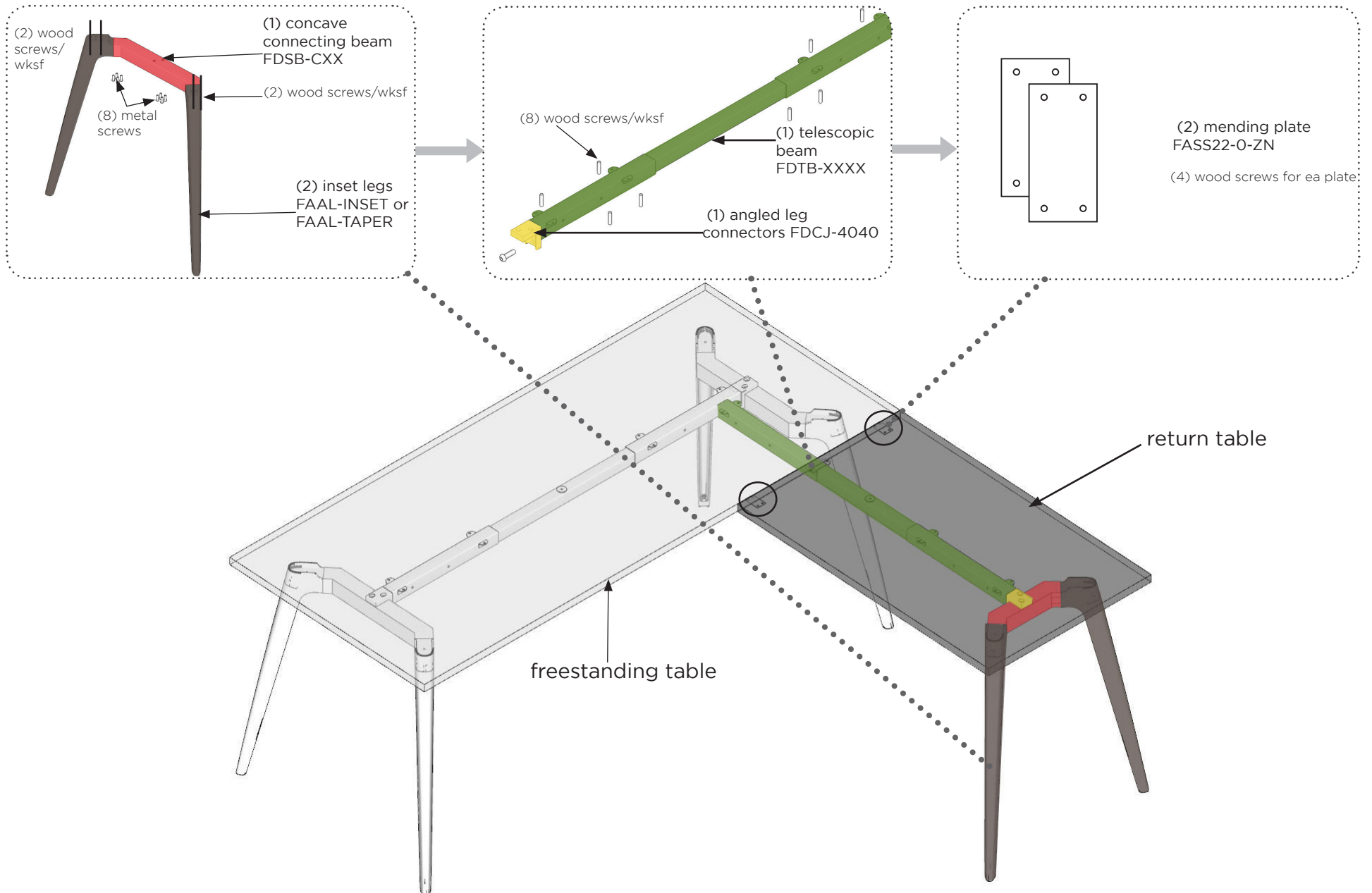
Freestanding Tabletops

Post Legs



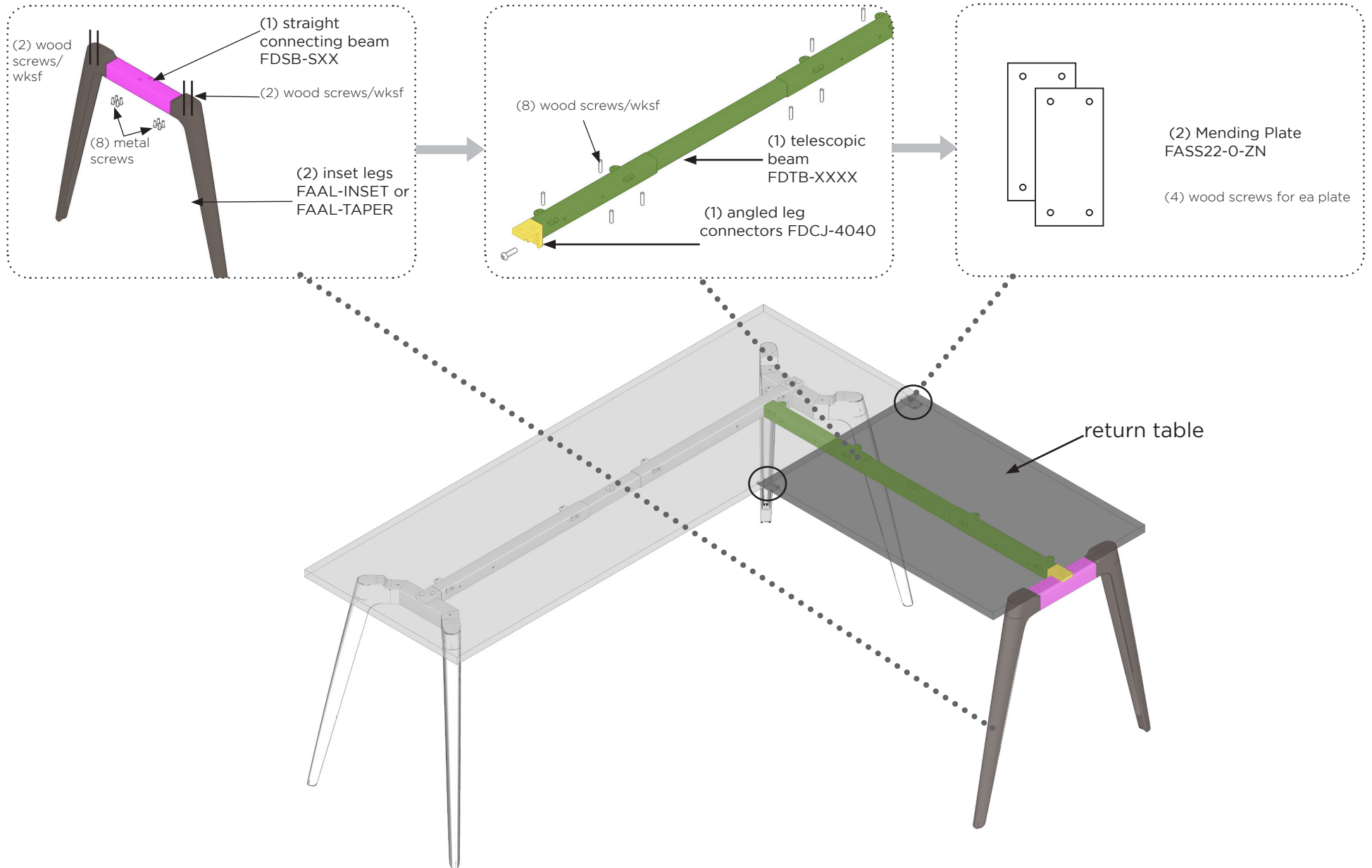
Return Tabletops

Concave Connecting Beam



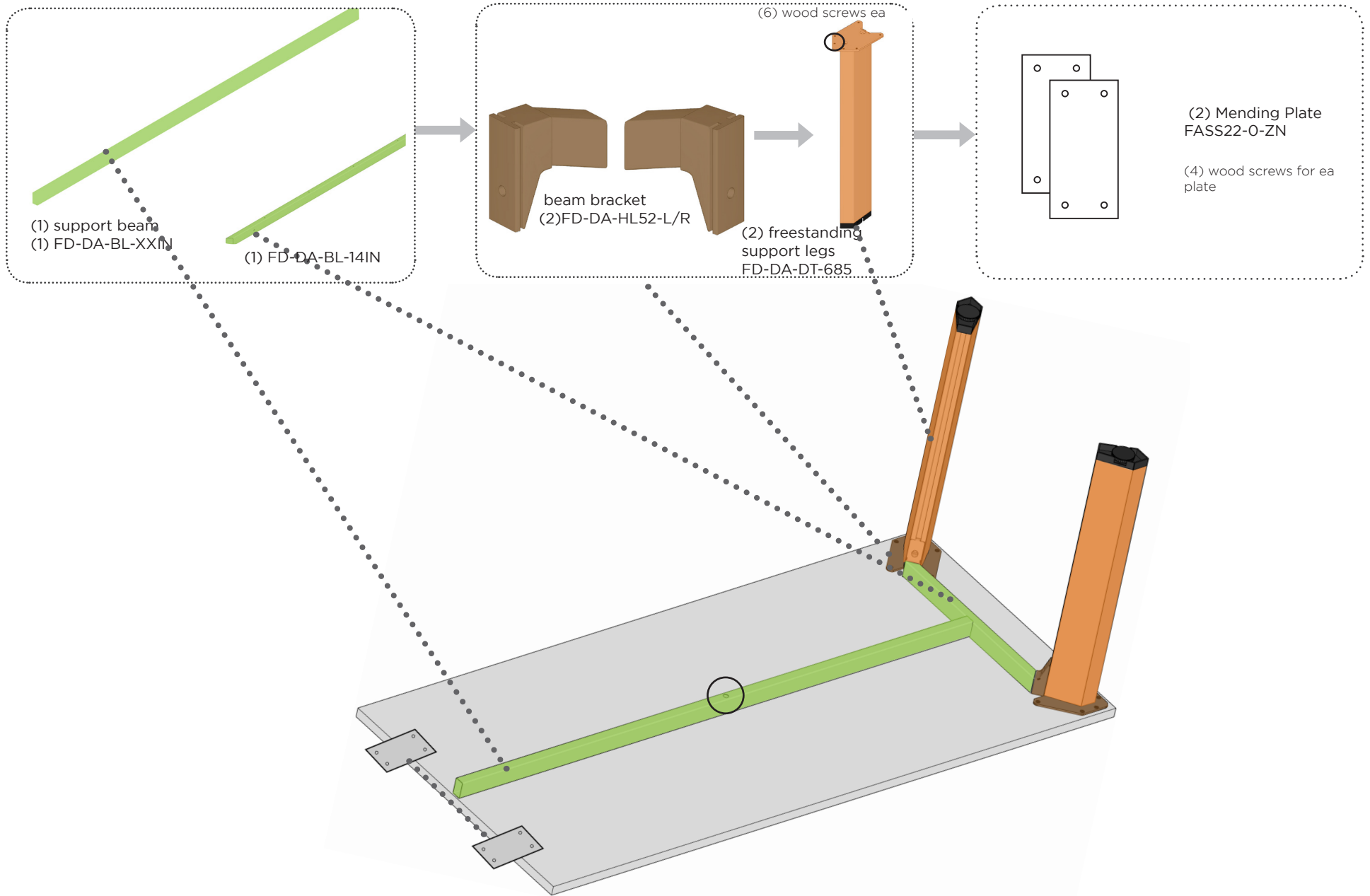
Return Tabletops

Straight Connecting Beam



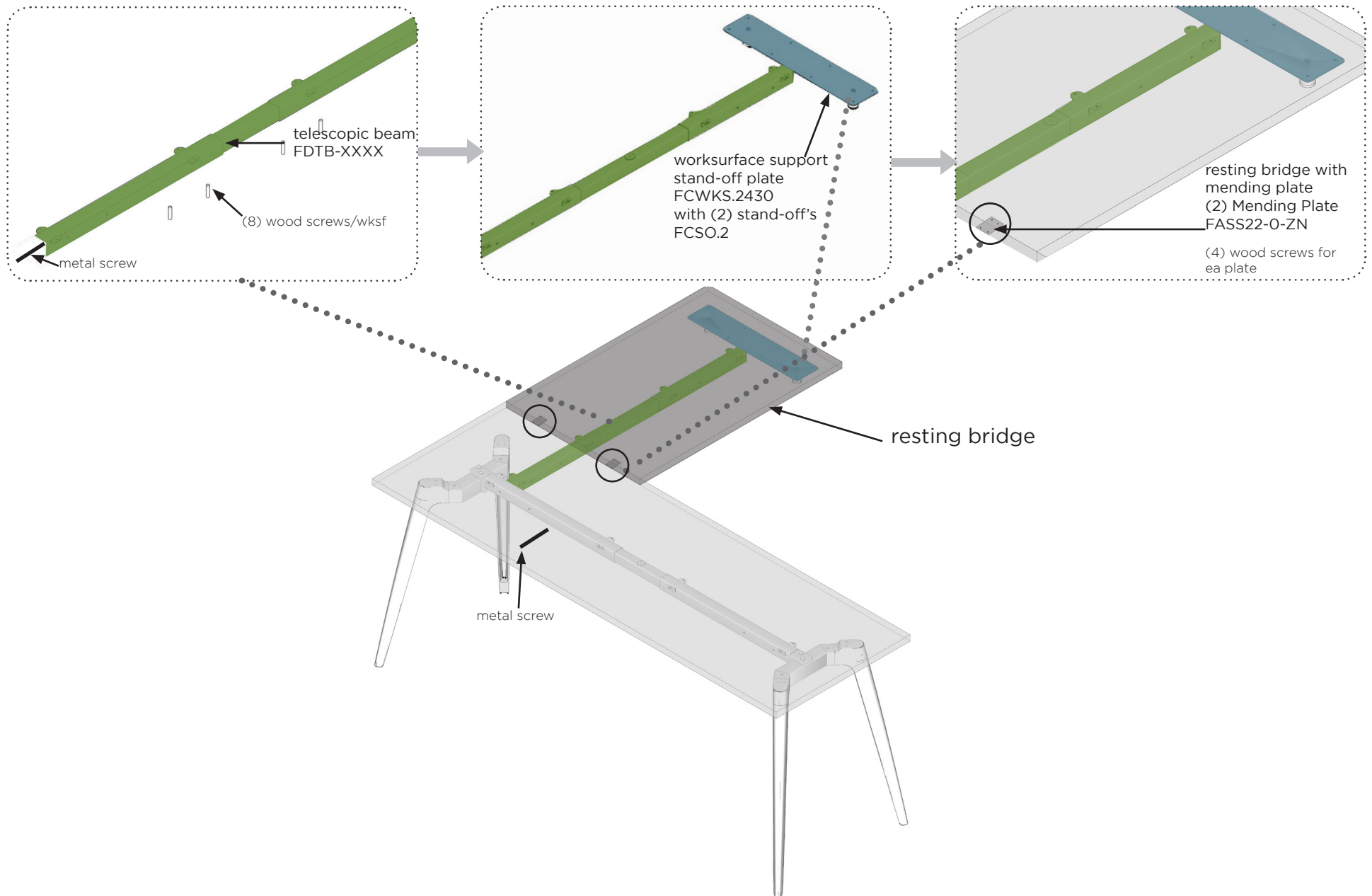
Return Tabletops

Post Legs



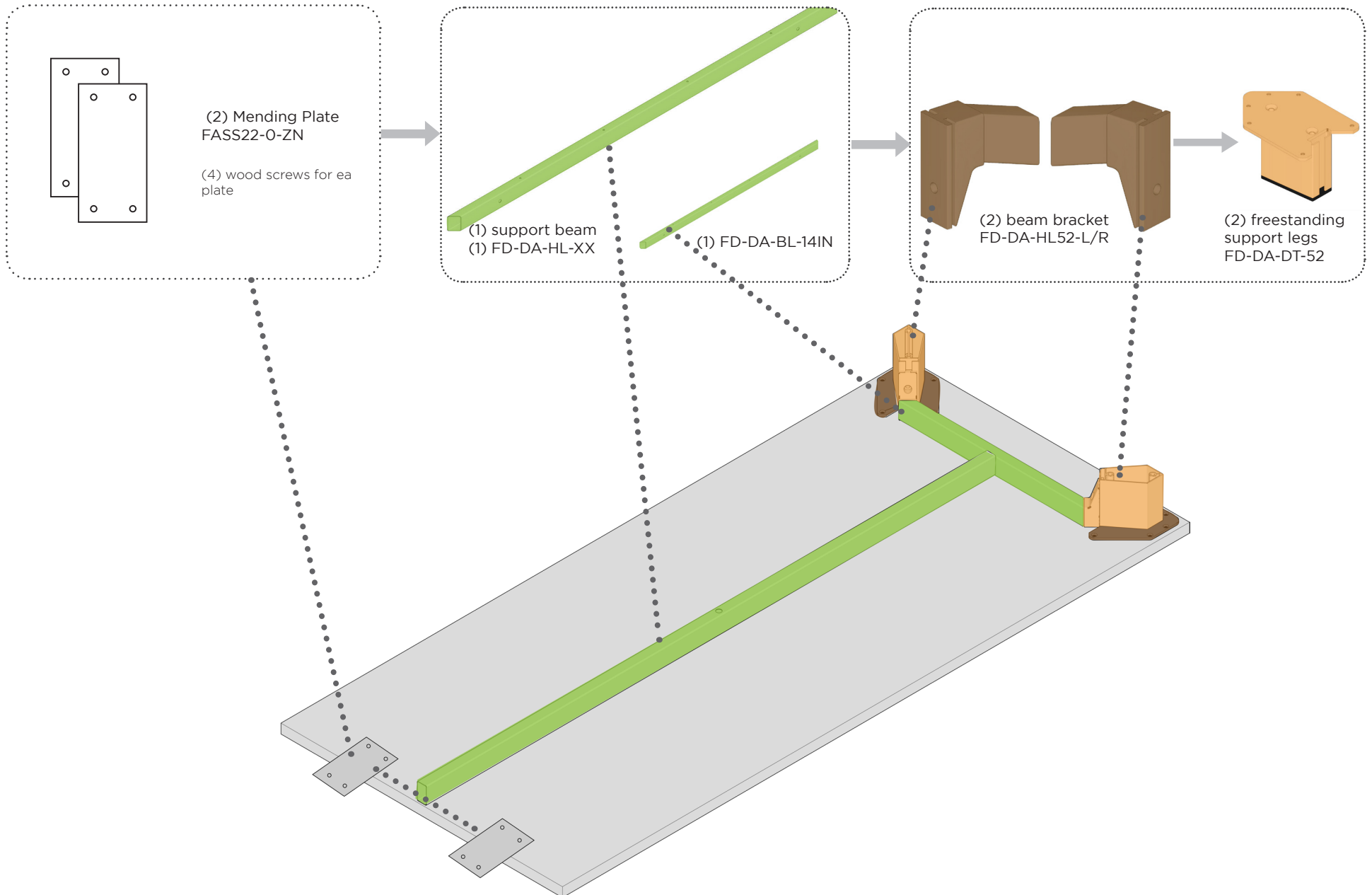
Resting Bridge Tabletops

Inset/Taper legs, for use with 26" high credenza

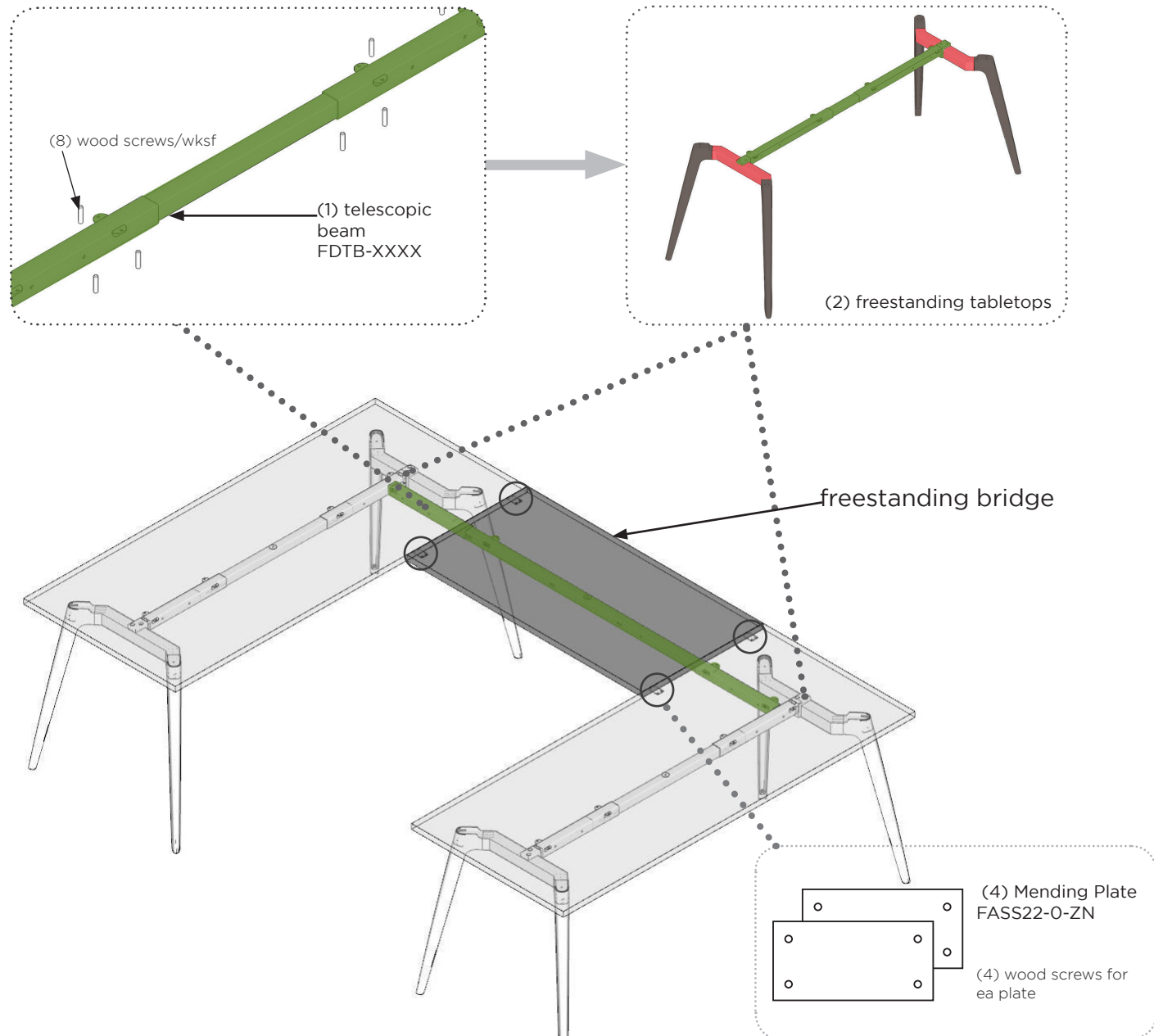


Resting Bridge Tabletops

Post Legs, for use with 26" high credenza

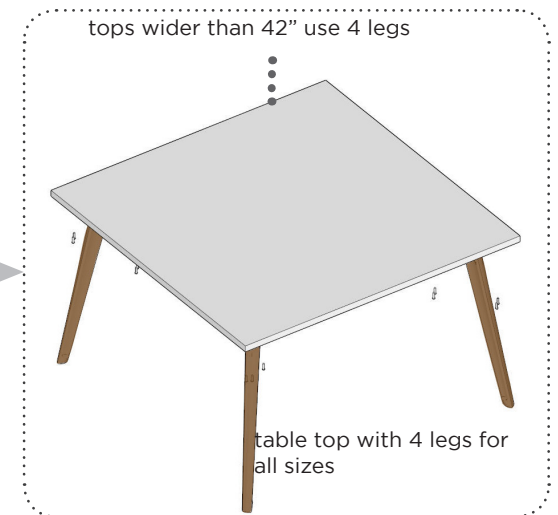
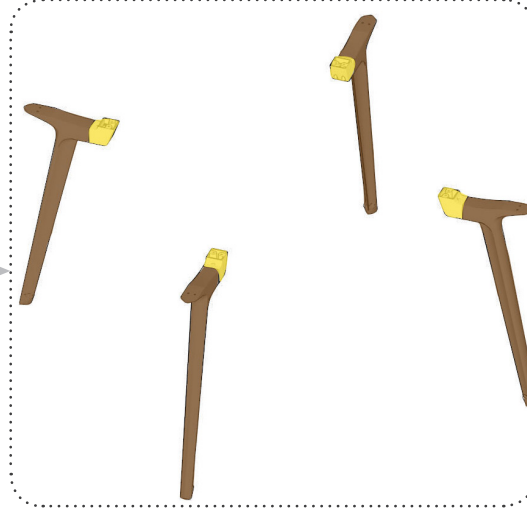
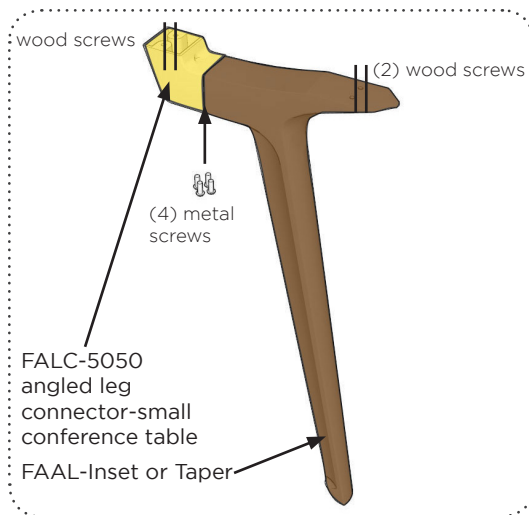
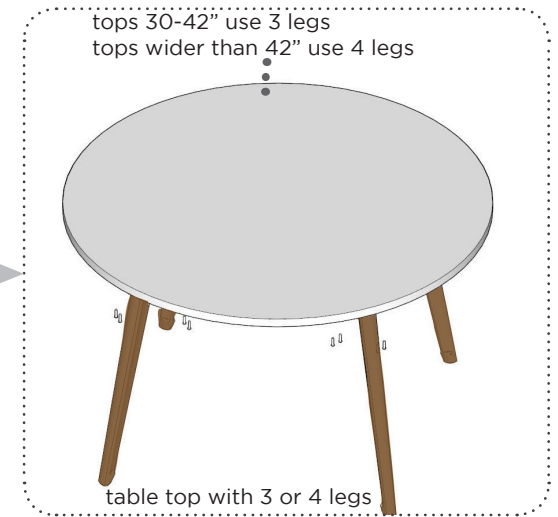
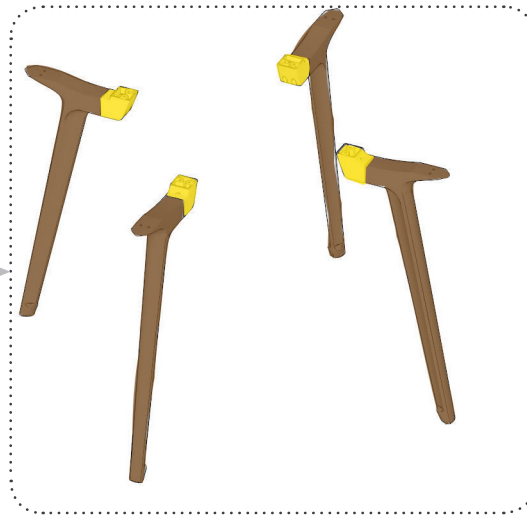
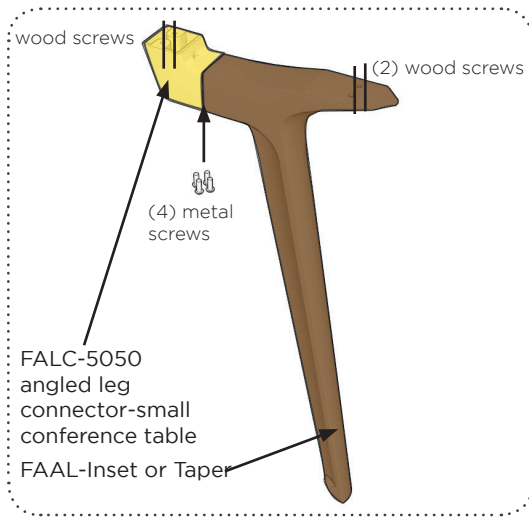


Freestanding Bridge Tabletops



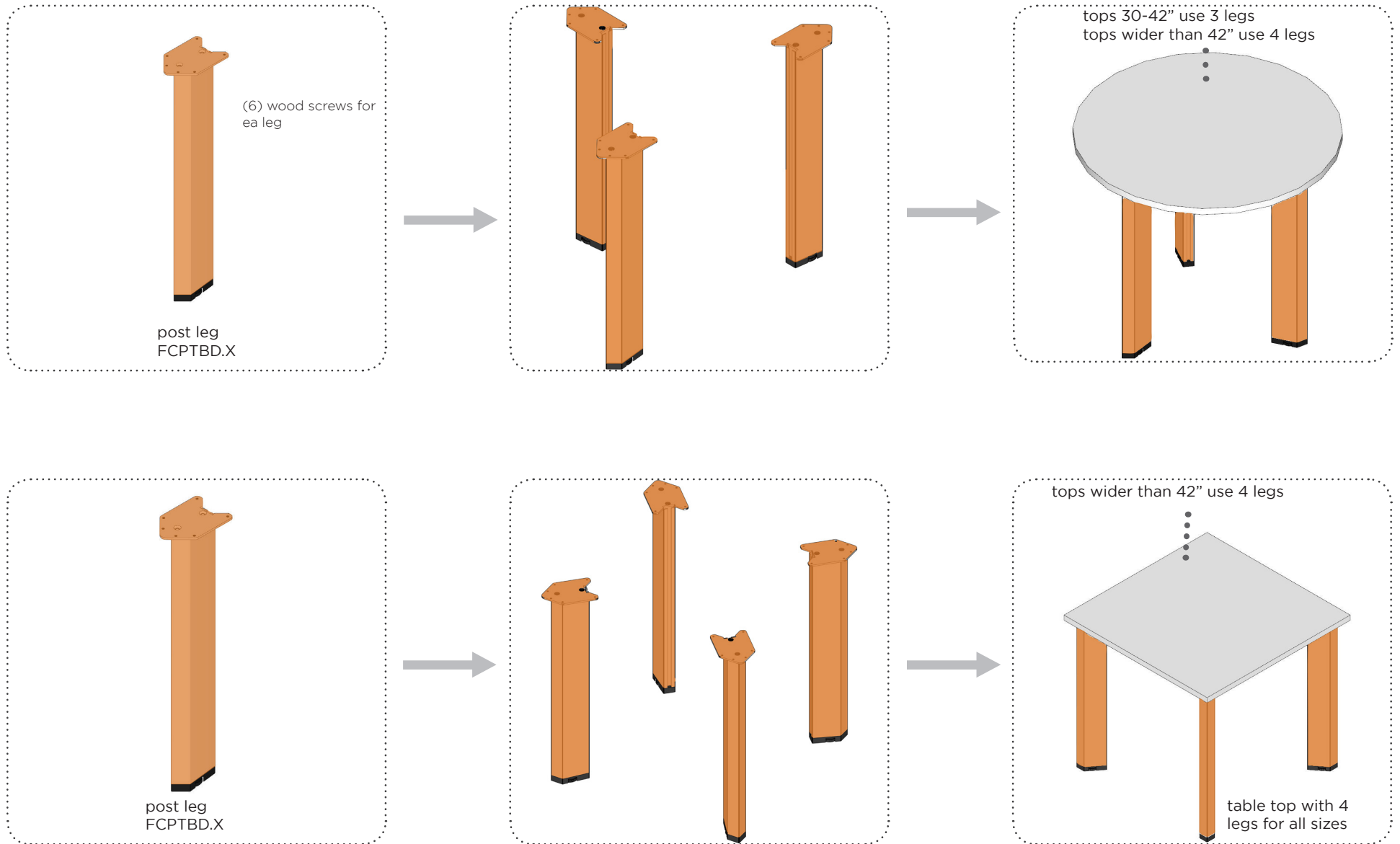
Conference Tables

Round and square Tables with Inset/Taper Legs - taper shown



Conference Tables

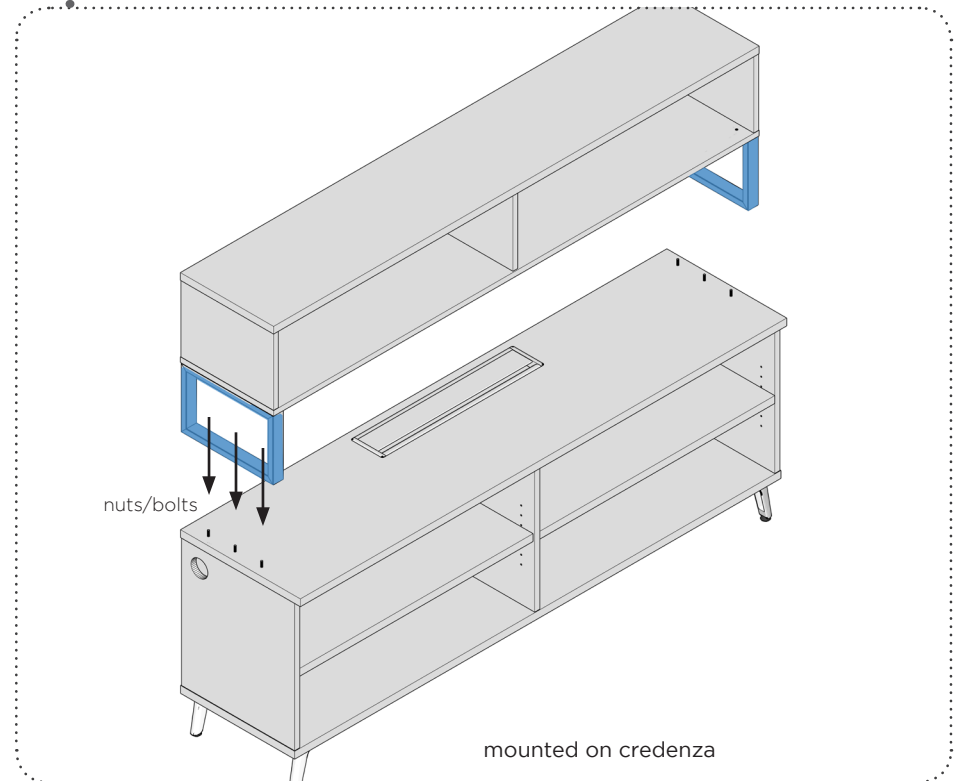
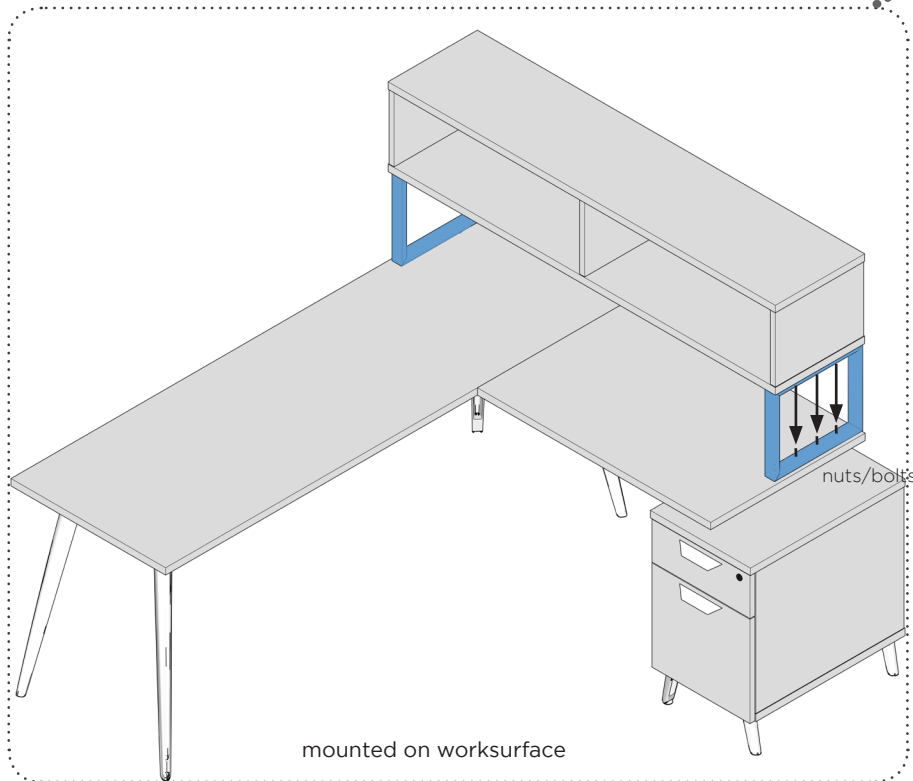
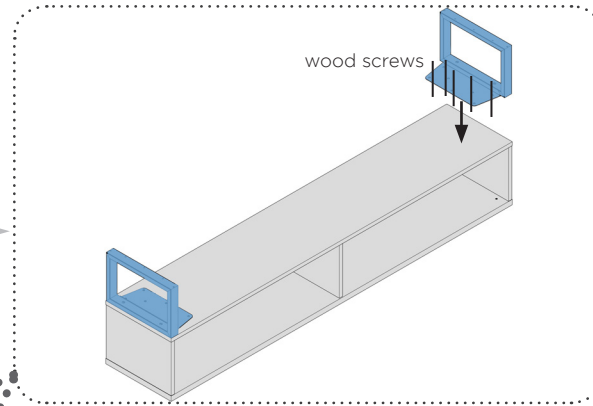
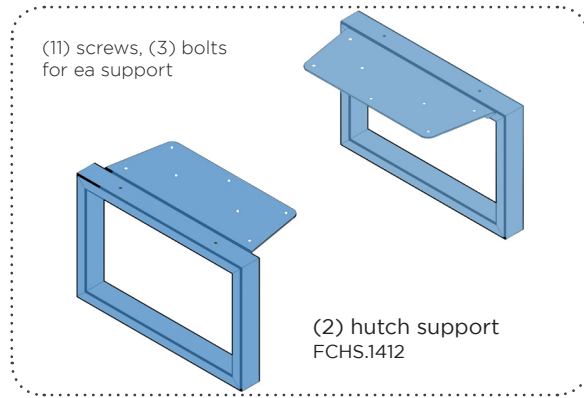
Round and Square Tables with Post Legs



Storage

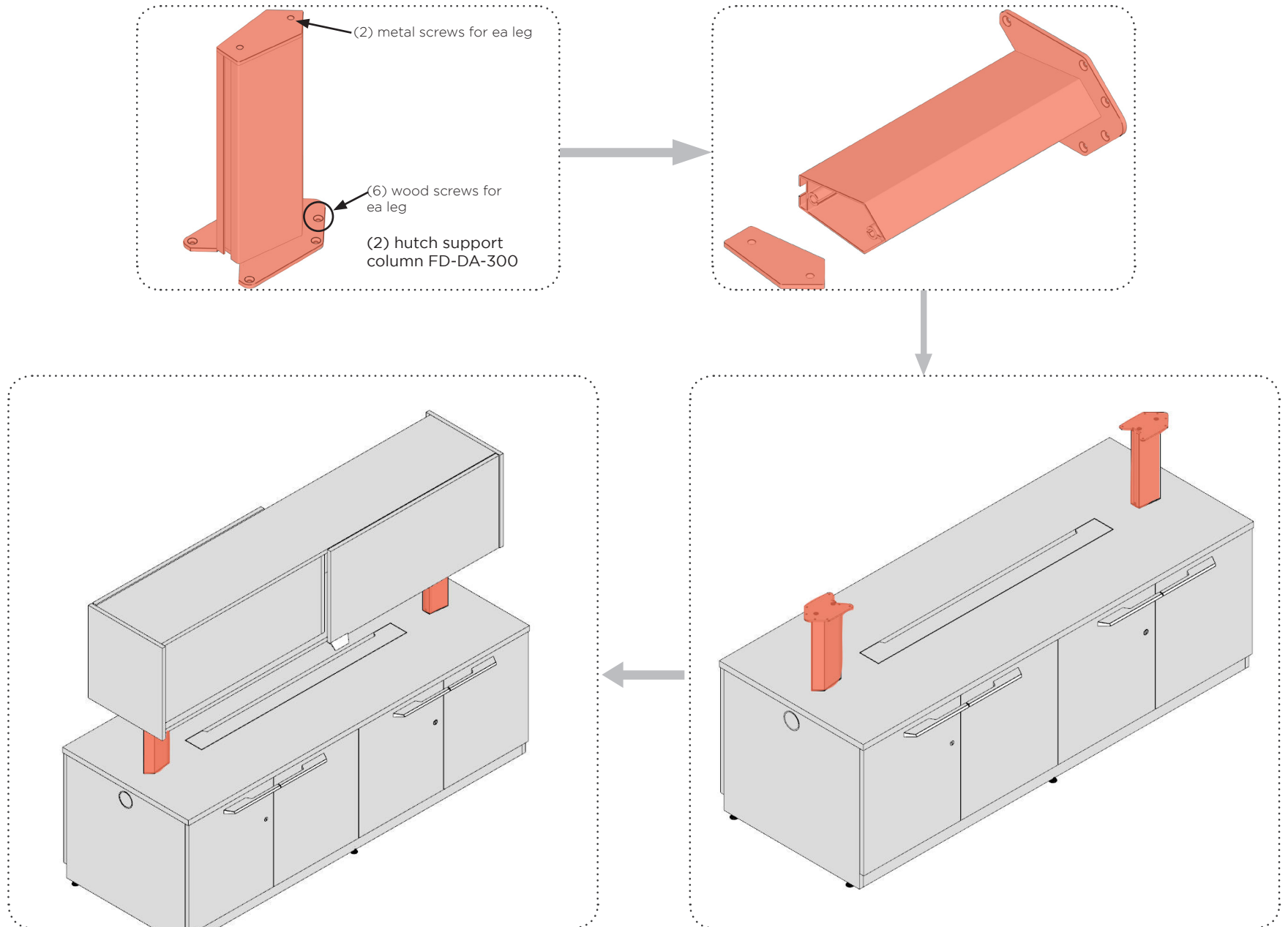
Shared Hutch Overhead with Hutch Supports

mounted on worksurface or credenza



Storage

Shared Hutch Overhead with support column



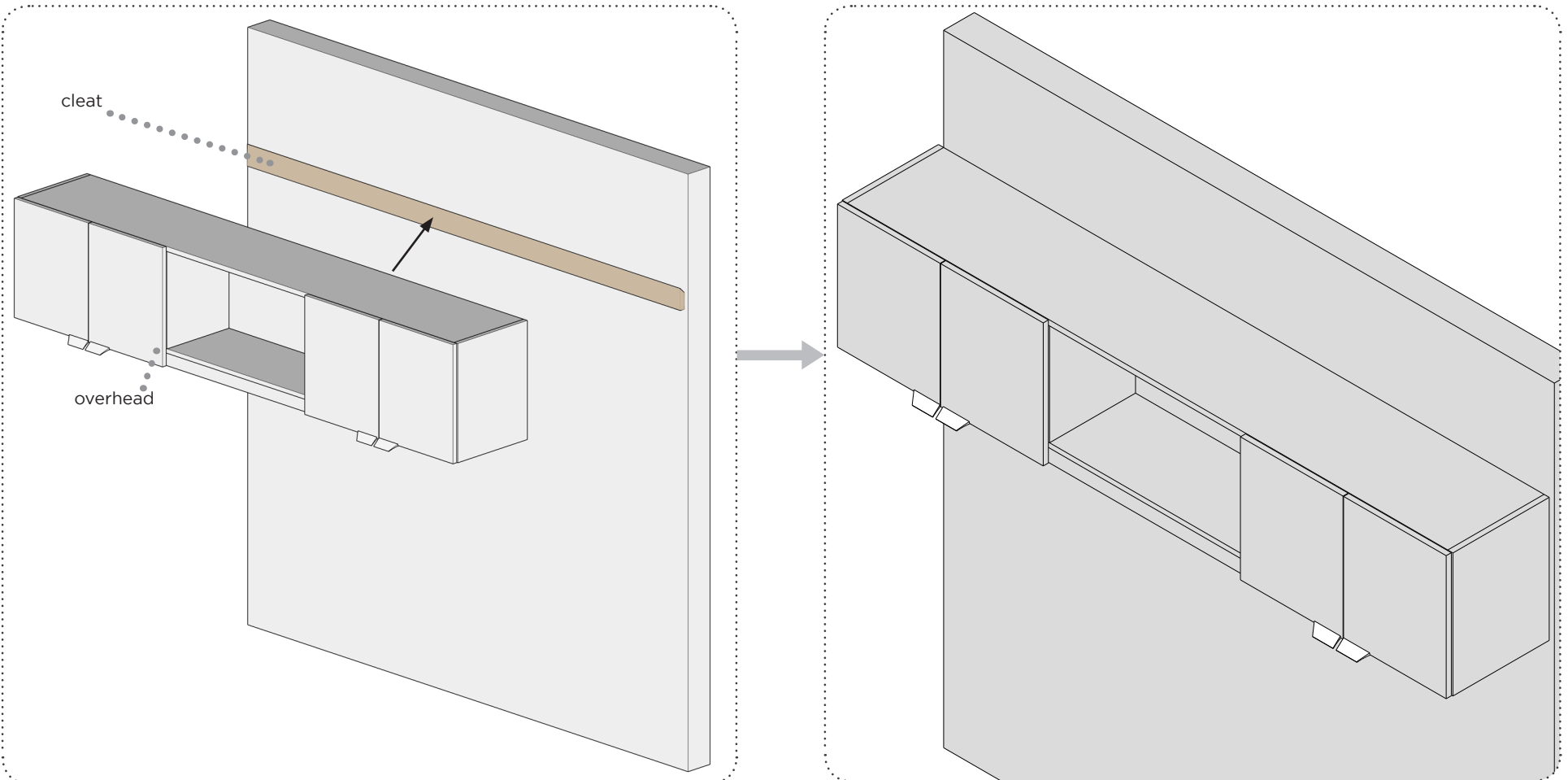
Storage

Wall Mounted Overhead

Warning

- Failure to follow the instructions in this manual can result in product damage, personal injury or both.
- Use two people to safely lift and install.
- Be careful when installing the cleat — you must use appropriate anchors for attaching this product to the wall. These anchors will vary depending on the field conditions. Be careful not to damage corner beads for drywall; it is strongly suggested you space off the edge of a drywall corner 2", to prevent damage.

pg 1 of 2



Storage

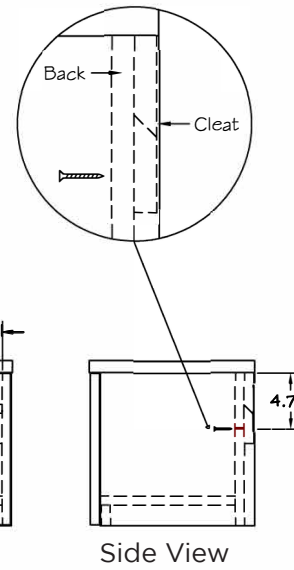
Wall Mounted Overhead continued..

pg 2 of 2

Attention Installer

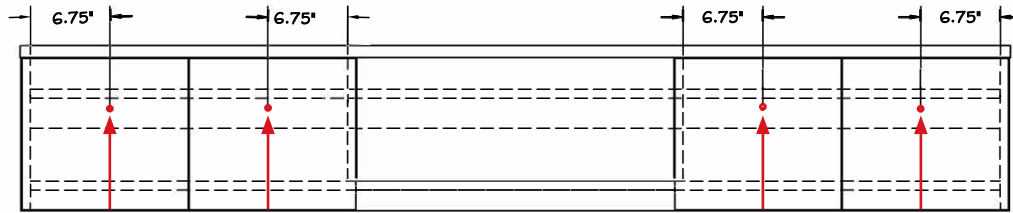
After the cabinet is hung on the wall cleat, use the 1 - 1/2" wood screws (provided) and secure the cabinet through the inside per the drawing. Use provided cover caps to cover screws.

Enlarged View Showing Application



Quantity of screws required for each width cabinet:

- FD-OS-XX36 = QTY 3
- FD-OS-XX42 = QTY 3
- FD-OS-XX48 = QTY 3
- FD-OS-XX54 = QTY 4
- FD-OS-XX60 = QTY 4
- FD-OS-XX66 = QTY 4
- FD-OS-XX72 = QTY 4
- FD-OS-XX78 = QTY 4
- FD-OS-XX84 = QTY 4



Front View

Side View

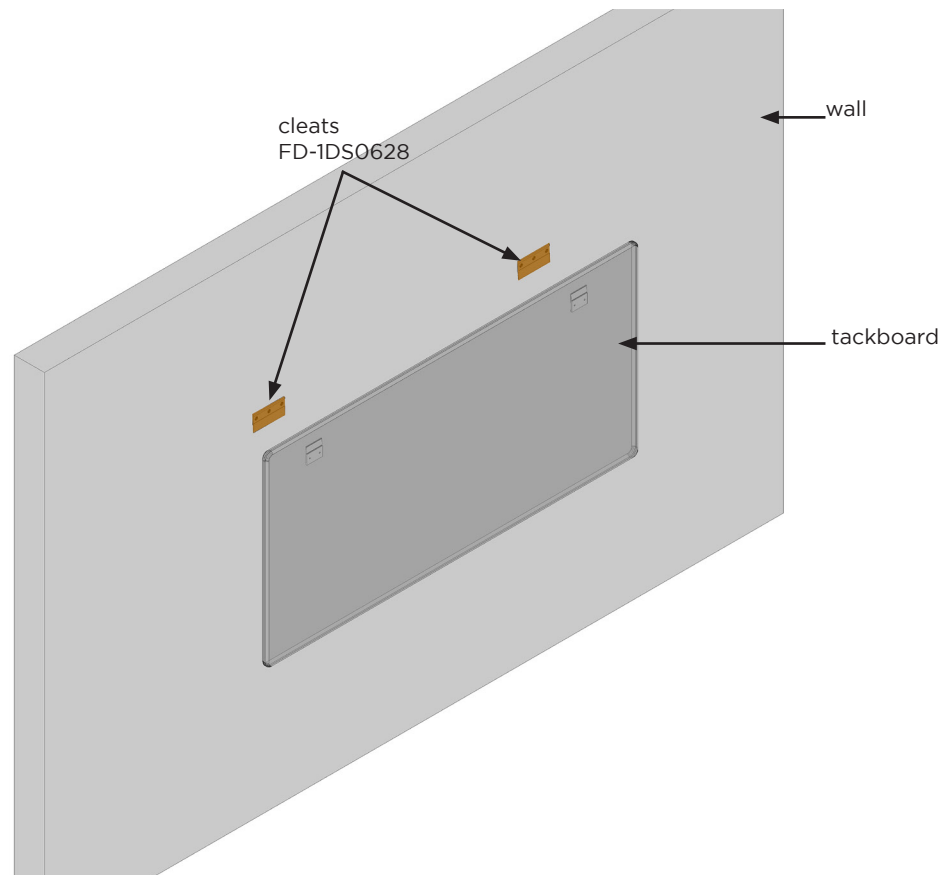
* Quantity and spacing varies per unit

Components

Wall Mounted Tackboard

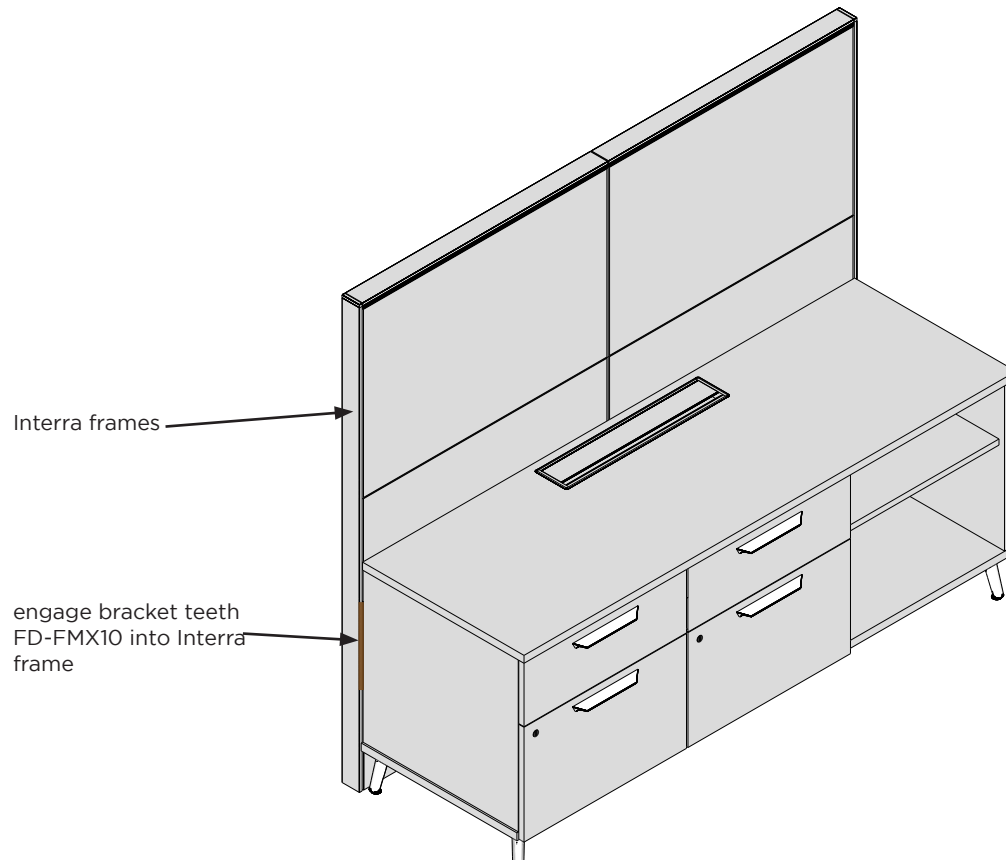
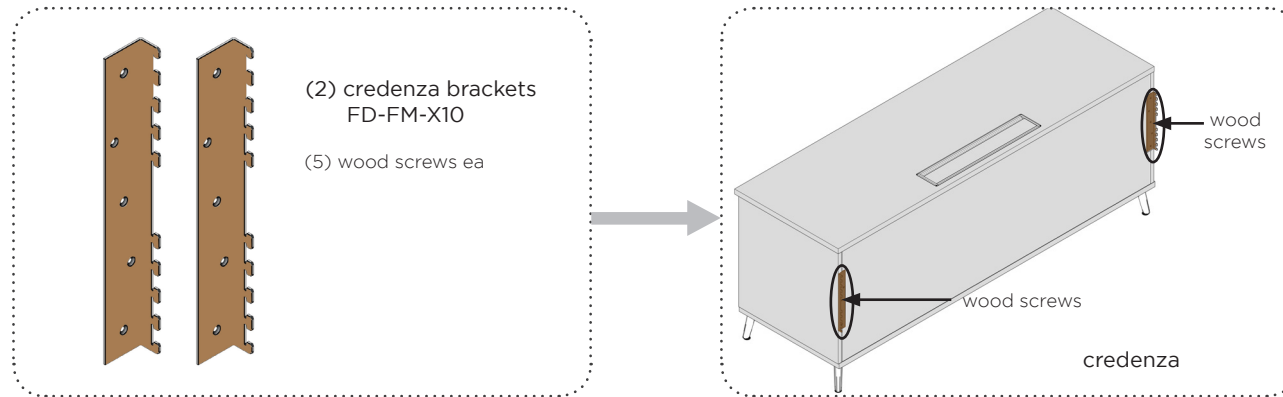
Warning

- Failure to follow the instructions in this manual can result in product damage, personal injury or both.
- Use two people to safely lift and install.
- Be careful when installing the cleat — you must use appropriate anchors for attaching this product to the wall. These anchors will vary depending on the field conditions. Be careful not to damage corner beads for drywall; it is strongly suggested you space off the edge of a drywall corner 2", to prevent damage.



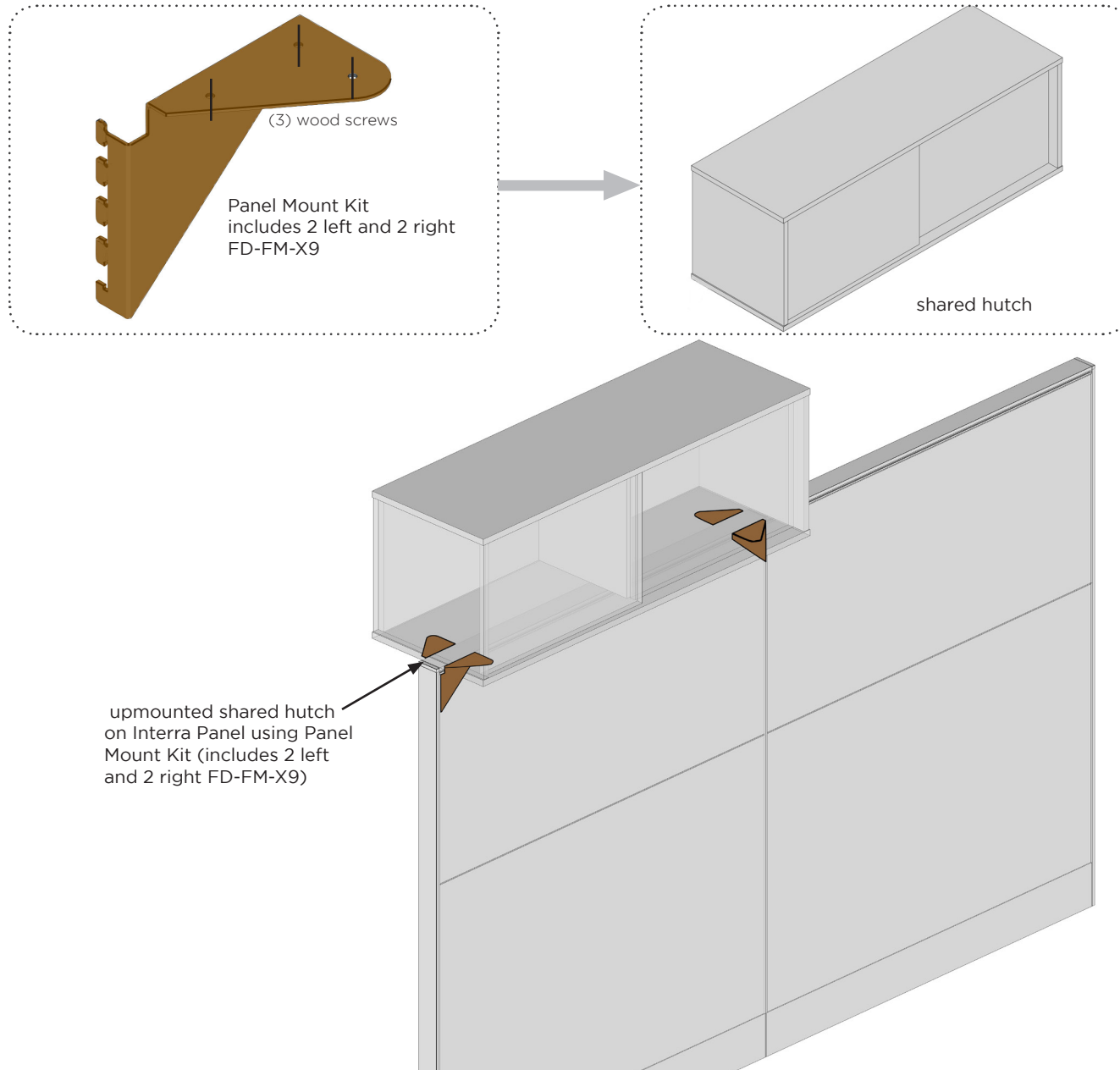
Interra Connectors

Credenza Bracket



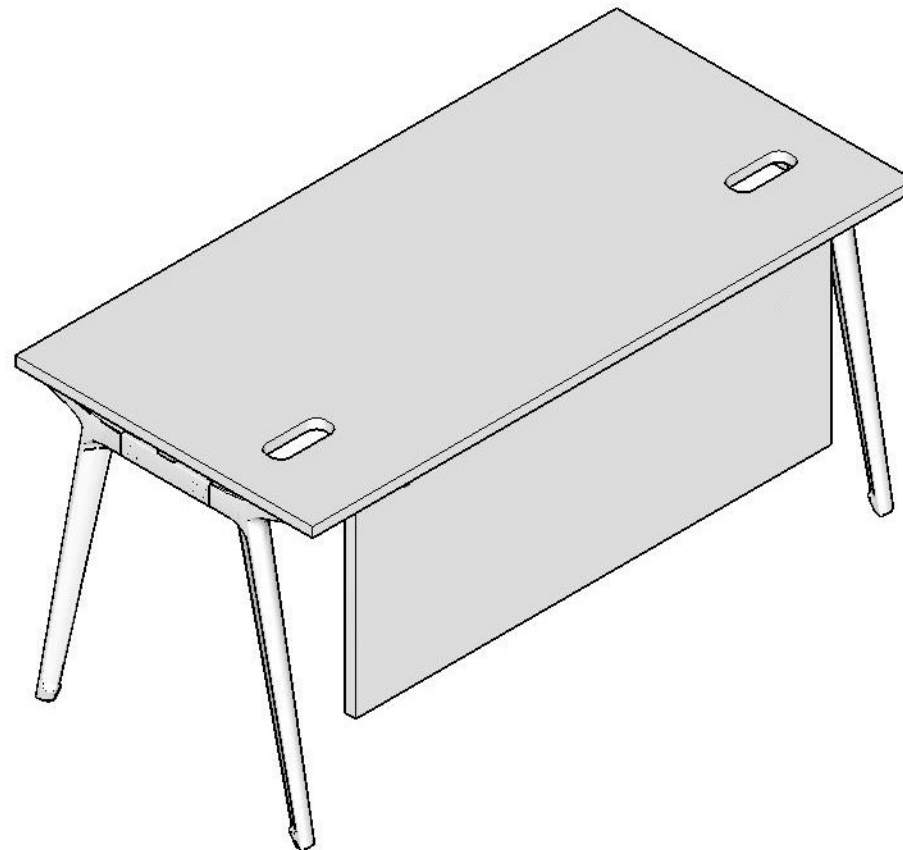
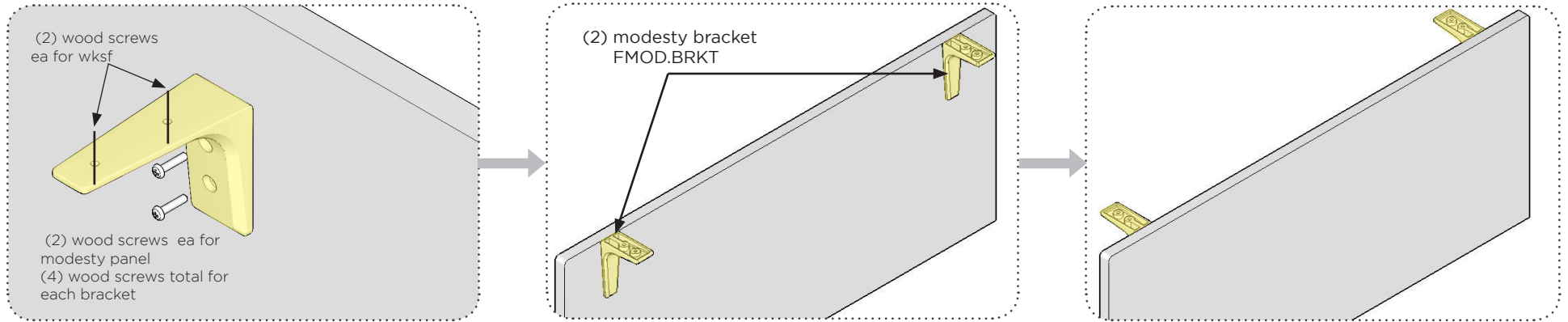
Interra Connectors

Panel Mount Kit



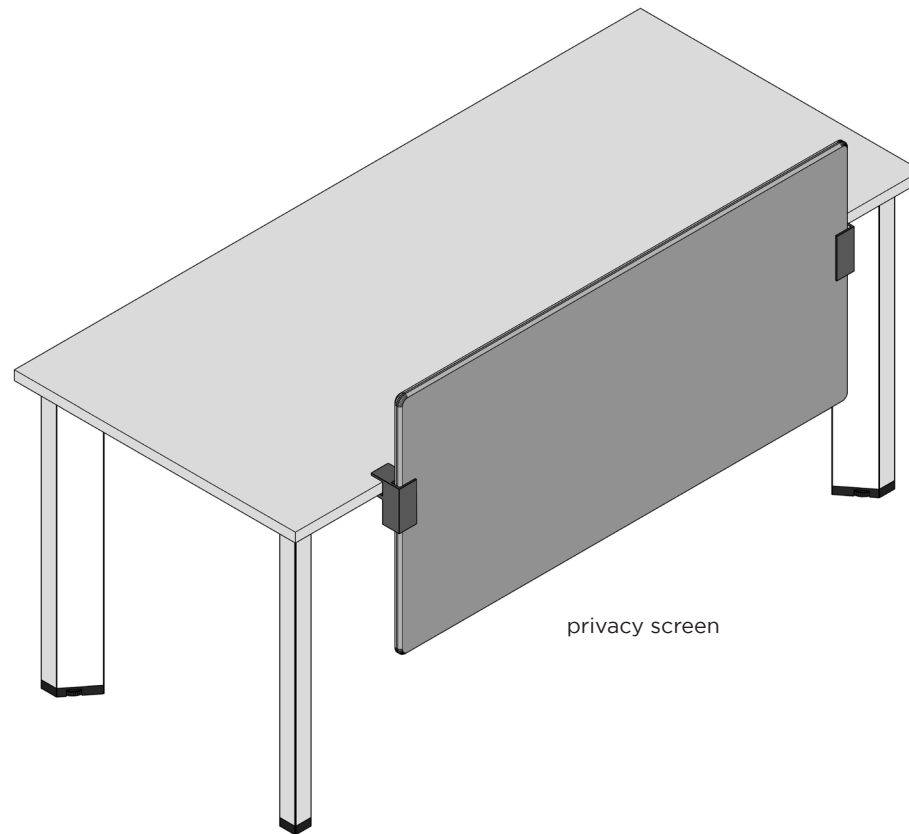
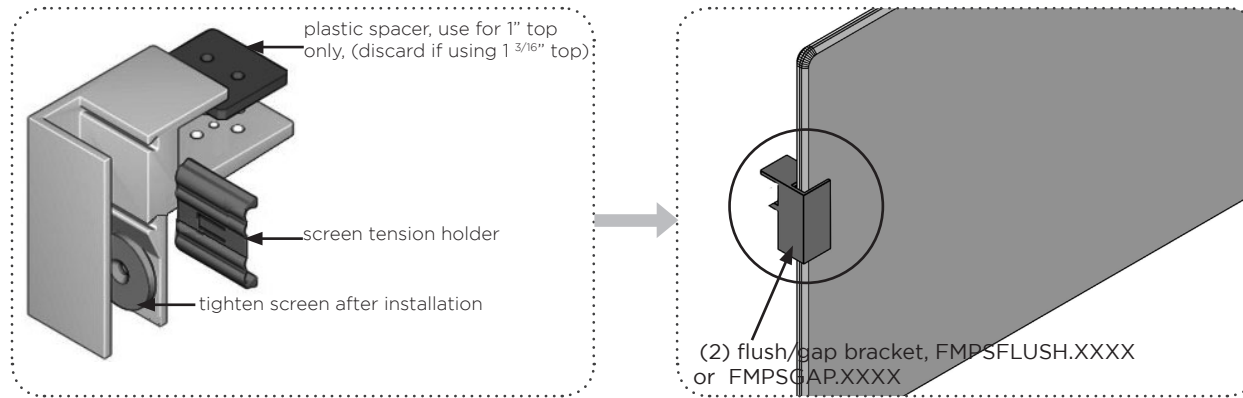
Components

Modesty Panel



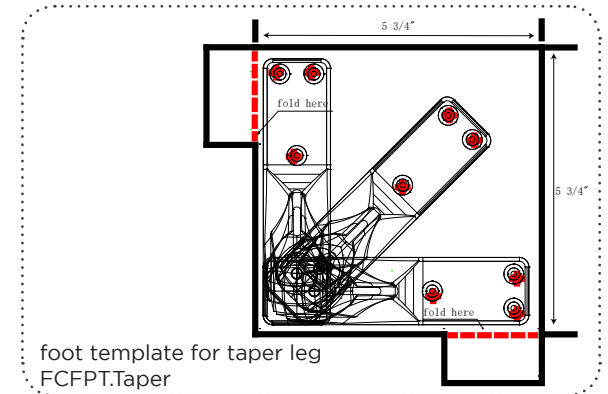
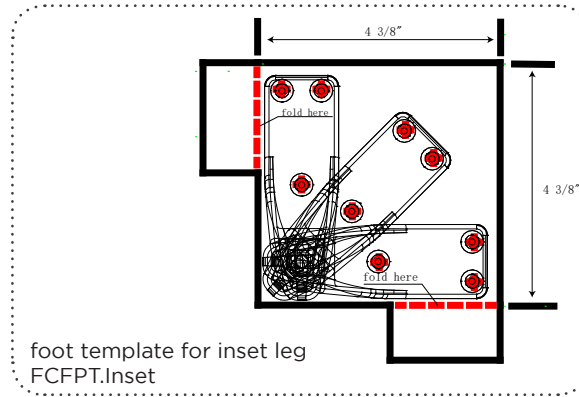
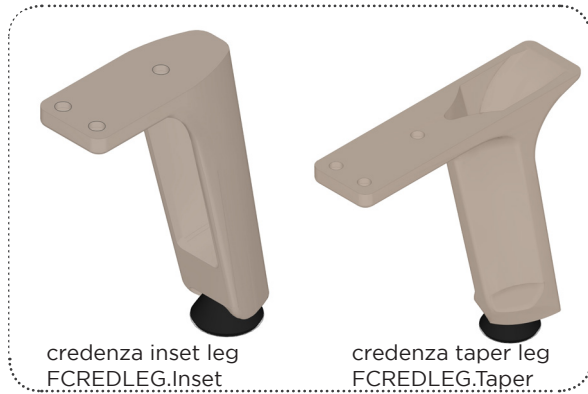
Components

Privacy Screen



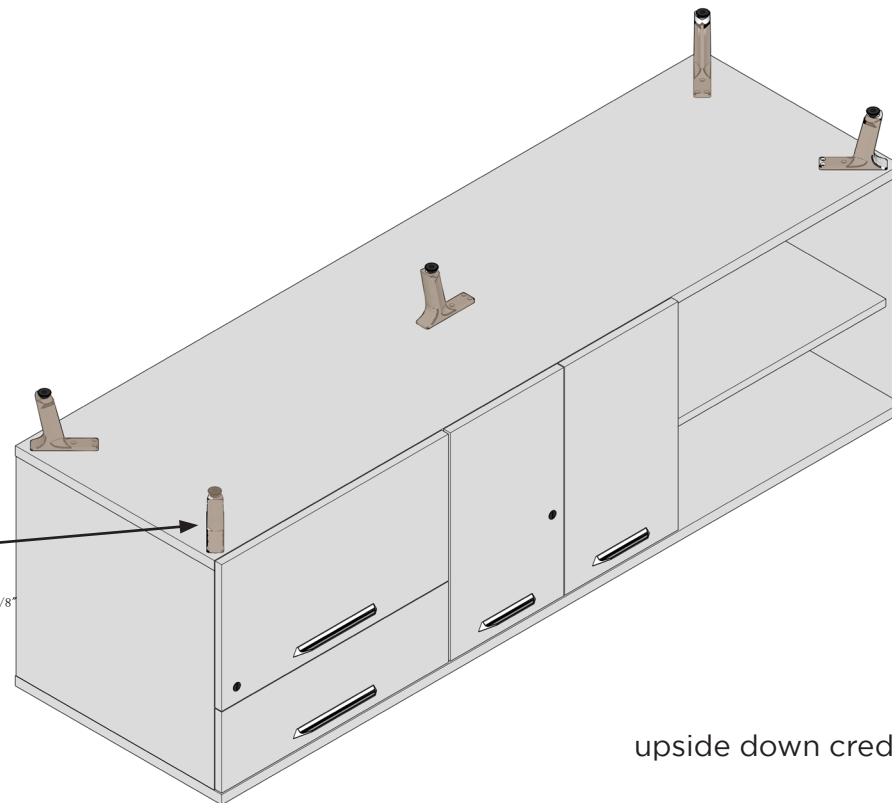
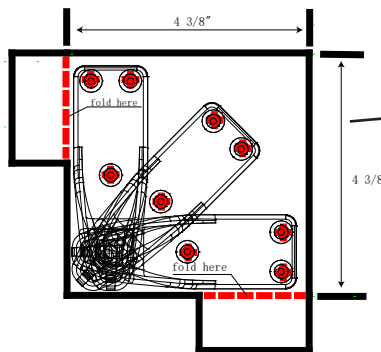
Storage

Feet Installation - Inset or Taper



use paper template to predrill holes on bottom of credenza

* no. of legs to be installed on credenza - see next page 27



upside down credenza

Storage

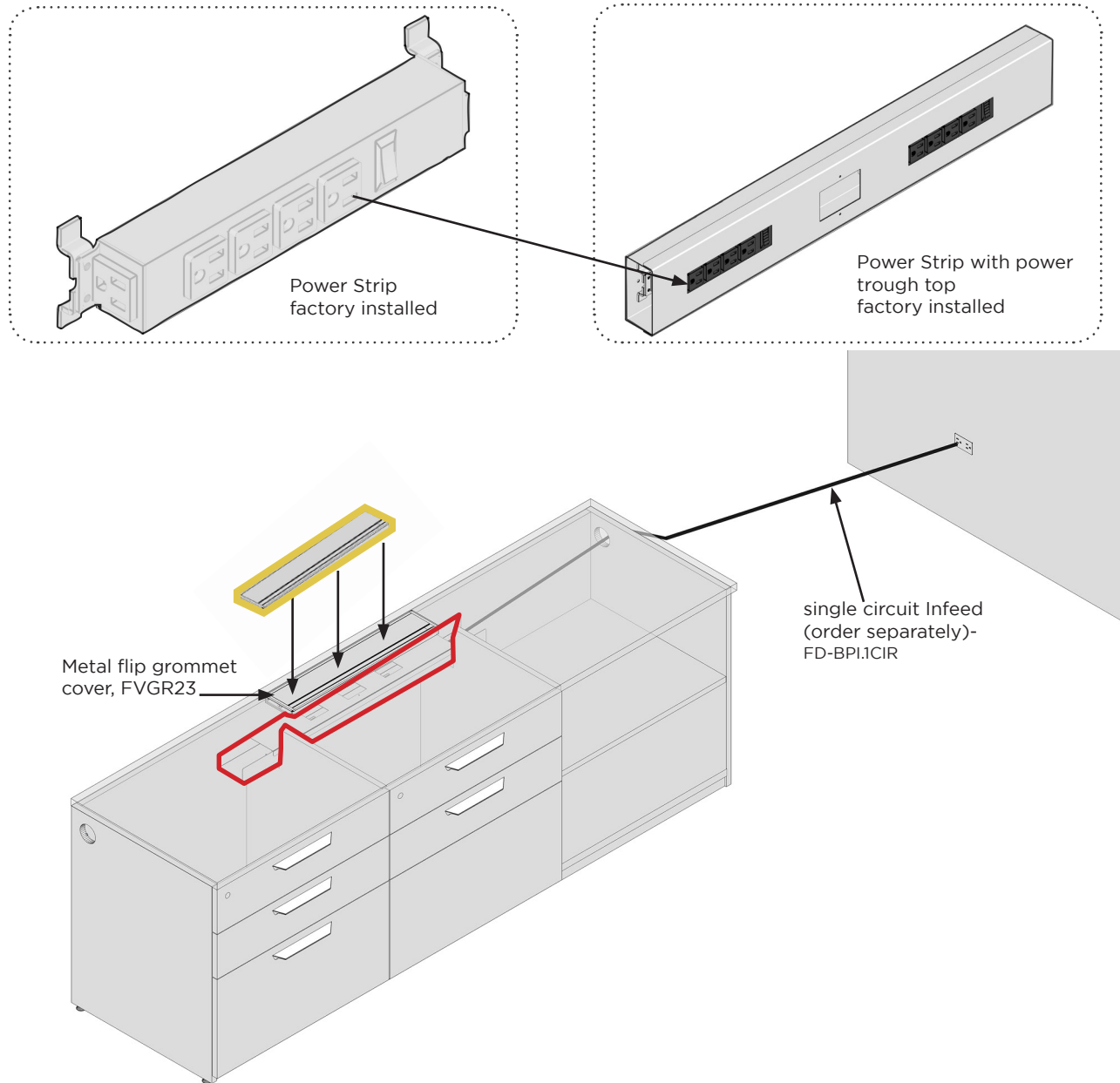
Feet Matrix for all DASH Storage

No. of legs to be installed on credenza depends on size of credenza.

	HEIGHT	WIDTH	FEET
CREDENZA	26" or 29"	36 42"	4
	26" or 29"	48 60"	5
	26" or 29"	72 84"	6
PEDESTAL/ LATERAL FILES	26" or 29"	All	4
TOWERS	45"	18"	4
	53"	18"	4
	69"	18"	4
COMBO WARDROBE	All	36-42"	5
	All	48"	6
COMBO BOOKCASES	45-69"	48 60"	6
BOOKCASE / STORAGE	29-45"	30-36"	4
	53-69"	30-36"	5
	53-69"	42-48"	6

Electrical

Credenza Power: Single Circuit

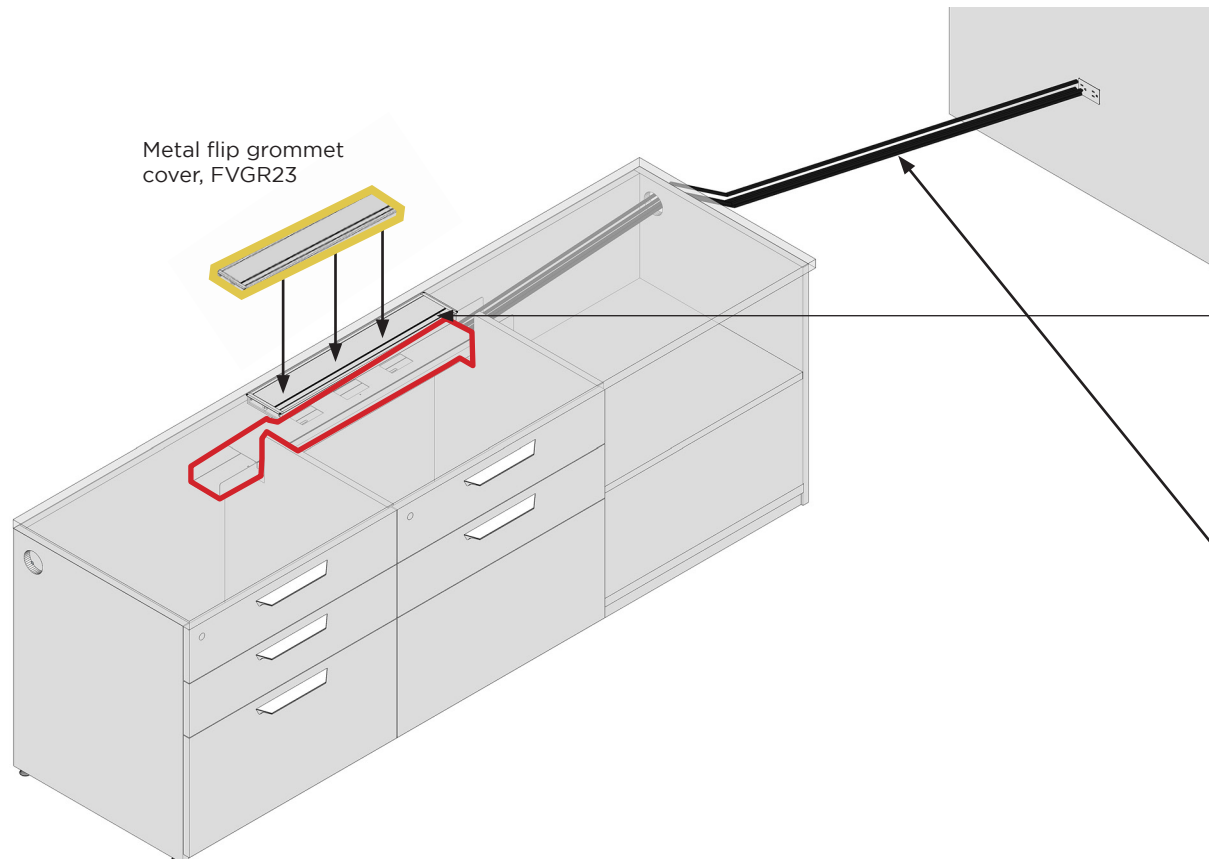
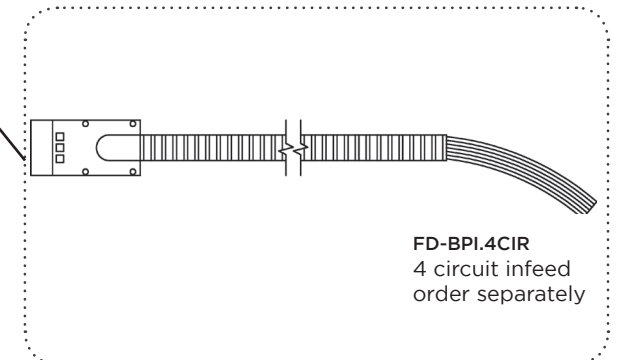
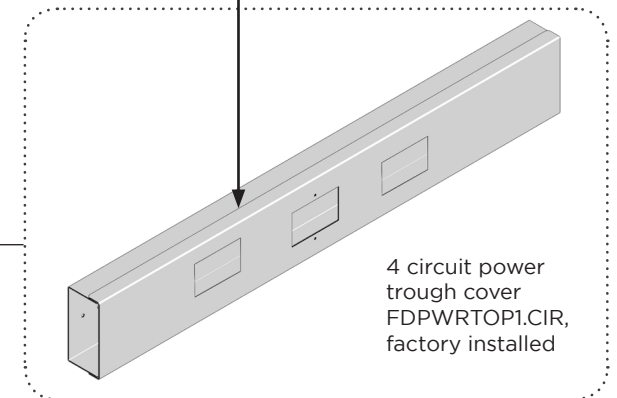
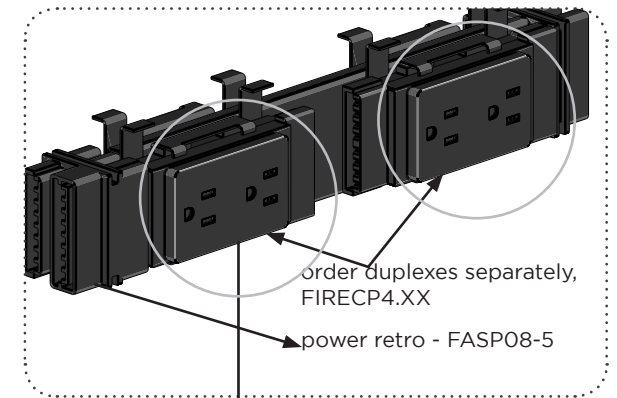


Electrical

Credenza Power: 4 Circuit

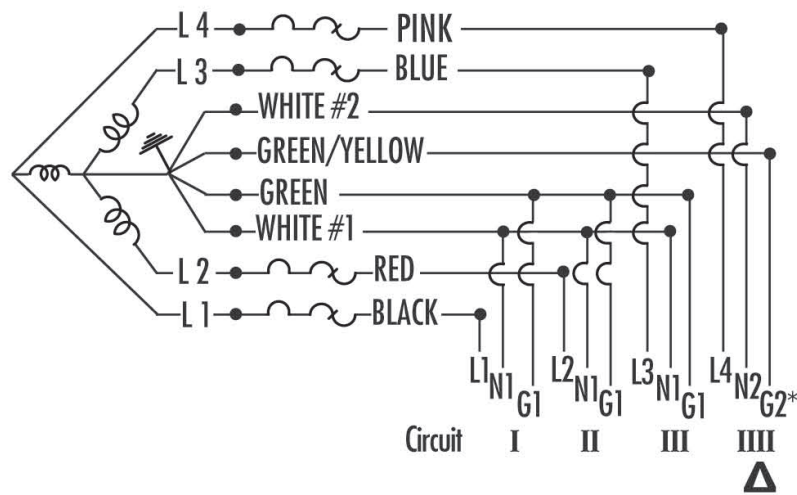
Warning

- The installation of the power entries, must be made by a qualified electrician. The purpose of this installation instruction is to assist you in working with the electrician to have this product installed. Under no circumstances should this be attempted by a person not recognized by local building authorities as a qualified electrician.
- Power entries should not be installed by any person(s) other than a qualified electrician. Attempting to do so can result in electric shock, personal injury, product damage, property damage or death.
- Failure to follow these instructions for connecting the festoon can cause a short circuit and may result in product damage, electrical shock, property damage or personal injury.



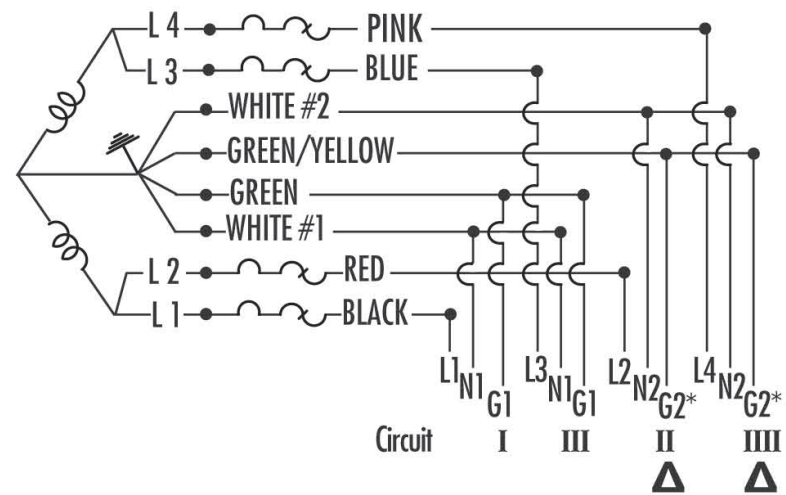
4 Circuit Wire Diagram

System is rated for connection to a 3 phase system.
 Rating 120/208V, 3-PH WYE, 60-hz, 20 amp (CSA 15 amp)
 multi-wire branch circuit



*Separate isolated ground

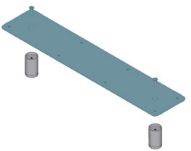

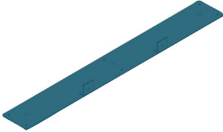


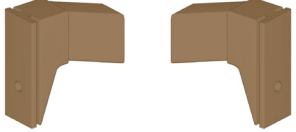
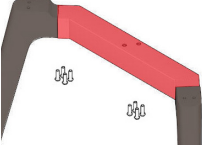
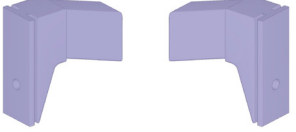
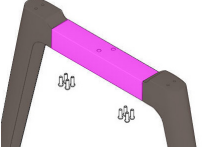
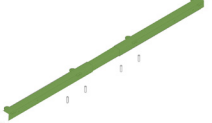
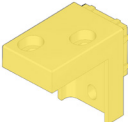
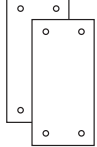
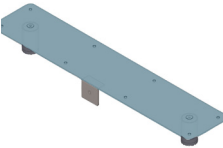


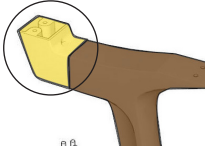
System is rated for connection to a ground 120/240V,
 1-PH 60-hz, 20 amp multi-wire branch circuit

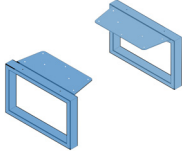
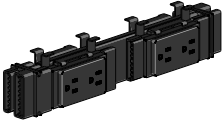
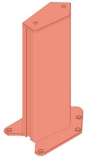
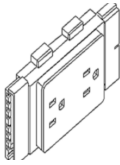




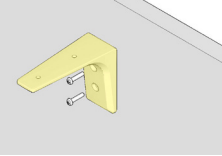
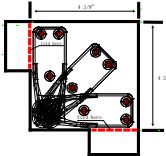
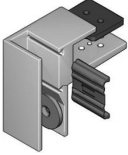
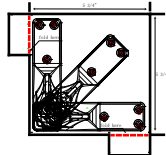
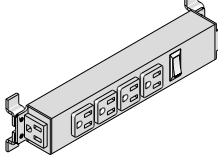

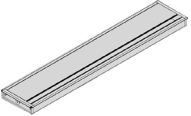



*Separate isolated ground

WARNING:

Risk of fire or electric shock. This office furnishings system may be connected to more than one source of supply.
 All sources must be disconnected prior to any servicing. No single circuit may be powered by more than one source.

#	IMAGES	PART #, DESCRIPTION	#	IMAGES	PART #, DESCRIPTION
1		FCWKS.2430, Worskurface Support Stand-Off Support Plate	9		FD-DA-HL-XX - Support Beam FD-DA-BL-XXIN - Support Beam for return/resting bridge FD-DA-BL-14IN - Crossbeam Beam
2		FCWKS.3642, Worskurface Support Stand-Off Support Plate	10		2" FD-DA-DT-52 Freestanding Support Leg
3		FAAL-INSET, Concave Inset Leg	11		FD-DA-HL52-L/R Beam Bracket
4		FDSB-CXX, Concave Connecting Beam	12		FD-DA-HL-L/R Beam Bracket
5		FDSB-SXX, Straight Connecting Beam	13		FDTB-2000(1251-2000) FDTB-1250(800-1250) telescopic beam (2 lengths)
6		FDCJ-4040 Angled Leg Connector	14		FASS22-0-ZN mending plates
7		FDSO.2 2" Stand-Off's	15		FAAL-Taper Concave Taper Leg
8		FD-DA-DT-685 Freestanding Support Leg	16		FALC-5050 Angled Leg Connector-Small Conference Table

#	IMAGES	PART #, DESCRIPTION	#	IMAGES	PART #, DESCRIPTION
17		FCHS.14XX Hutch Overhead Support	25		FASP08-5 Power retro
18		FD-DA-DT300 Shared Hutch Overhead Support Column	26		FIRECP4.X, FIRECP4.XX-CONT duplex
19		FD-FM-X10 Credenza Brackets	27		FD-BPI.1CIR Single Circuit infeed
20		FD-FM-X9 Panel Mount Kit Bracket	28		FD-BPI.4CIR 4 Circuit infeed
21		FMOD.BRKT Modesty Bracket	29		FCPT.Inset foot template for inset leg
22		FPSFLUSH and FPSGAP Flush and Gap Bracket for privacy screen	30		FCPT.Taper foot template for taper leg
23		FD.SFC.306.4B Power Strip	31		FCREDLEG.Inset
24		FVGR23 Grommet Cover	32		FCREDLEG.Taper