

# DASH 4 WEEK

## PRICE BOOK



**FRÍANT**

ALL  
WORKSTYLES  
WELCOME



## TABLE OF CONTENTS

---

### INTRODUCTION

Terms and Conditions	4	Supporting and Mobile Pedestals	15
Standard Finishes	6	Freestanding Towers	16
Powering Dash	7	Supporting Credenza Units	17
How to Order Dash	8	Credenza - Grommet Color Selection	18
Statement of Line	9	Filing Guide	19
Pull Options, Dash Storage	12	Modesty Panel Guide	22
Leg Options, Dash Tabletops	13		

### TABLETOPS

Resting Tabletops	24
Freestanding Tabletops	25
Return Tabletops	26

### ELECTRICAL DISTRIBUTION

Table Power Components	27
------------------------	----

### STORAGE

Supporting Credenzas	28
Credenza Power: Single Circuit	30
Credenza Power: 4 Circuit	31
Supporting Pedestals	33
Mobile Pedestals	34
Wall Mounted Overheads	35
Wardrobe Towers	36
Bookcases	37
Storage Cabinets	38

### COMPONENTS

Modesty Panel	39
---------------	----

### ACCESSORIES

Keyed Alike	40
-------------	----

## Terms and Conditions

---

### QUICKSHIP PROGRAM

Designed for complete workstation orders and parts may not be ordered separately. Orders with the Dash Quickship program are limited to under \$50,000 net. For larger orders, please contact your customer service representative for availability. Quickship orders must be on separate P.O.s and cannot be combined with standard lead time orders.

### PRICES

All Prices are F.O.B. point (Continental U.S.). We reserve the right to change prices without prior notice.

### ORDERING

Purchase Orders should be sent to Friant & Associates, LLC at [orders@friant.com](mailto:orders@friant.com), or faxed to (510) 535-6895. If your specifications were created with CAP, GIZA, or Project Matrix please send the worksheet (SP4) with your Purchase Order.

### MAXIMUM ORDER

Dash Quickship program is offered with a maximum order size of \$50,000 net. We encourage our customers to check stock on orders over \$50,000 as we may be able to accommodate larger opportunities which require 4 week lead time.

### TERMS

Net 30 days from date of invoice. Invoices are delinquent if not paid 30 days from date of invoice. In the event timely payment is not made, interest will be charged at the rate of 1.5% per month on delinquent accounts. Buyers will also be liable for normal collection costs and attorney's fee. 50% deposit is required with every order, unless prior arrangements have been made.

### ORDERS

Orders are only accepted by issuance of our formal acknowledgment, and are subject to the terms set forth herein and on our order acknowledgment. It is the responsibility of the buyer to review our acknowledgment for accuracy.

### LEAD TIME

Lead times are subject to availability.

### SHIPPING

Friant generally palletizes, boxes and/or shrink-wraps its products. If buyer requests additional packaging or special shipping, then it is responsible for any extra costs that result. Buyer obtains title to products and assumes the risk of loss for them upon shipment from Friant's plant.

### CLAIMS

We are not responsible for damage suffered in transit. Merchandise should be inspected for possible freight damage upon delivery. The consignee should file for damage or shortages with the carrier within 5 days of delivery. You are also protected for "concealed damage" if you file claim with the carrier within 5 days of delivery. Buyer must make all claims against Friant for defects, errors or shortages in writing within 10 days after delivery. Failure to make such a claim shall constitute full acceptance.

### RETURNS

No merchandise may be returned without our written consent and shipping instructions. Unauthorized returns will not be accepted and will be returned freight collect.

### PARTIAL SHIPMENTS

We will make every attempt to ship orders complete and on schedule. However, we reserve the right to make partial shipments, as merchandise is ready. Invoices covering these shipments are to be paid as they become due.

### ORDER CHANGE — CANCELLATIONS

Our order confirmation is final and binding. Any order change or cancellation is subject to our ability to conform. For the most up to date information, always review the order change/cancellation policy online. Allowable changes within the posted policy must be made in writing.

### SHIPMENT AND PREPAID FREIGHT

Unless otherwise instructed, we reserve the option to ship by what is, in our opinion, the best possible way. Upon request, we will prepay and add freight for accounts with established credit.

continued...

## Terms and Conditions continued..

---

### DELIVERY

We are not liable for delay or failure of delivery due to strikes and/or differences with workmen, war, riot, fire, compliance with government regulations, acts of nature, failure or delays of sources of supply, or any other causes beyond our control.

### STORAGE

If buyer cannot accept delivery when merchandise is ready, we reserve the right to transfer goods to storage. Costs of transfer and storage will be charged to the buyer's account, and we will deem such transfer as constituting shipment for all purposes, including invoicing, as of the date the transfer is made.

### CONSTRUCTION — SPECIFICATIONS

All items are produced to price list specifications unless otherwise advised. All dimensions shown are approximate. Manufacturer reserves the right to make modifications and/or improvements without prior notice.

### RIGHTS AND WARRANTIES — LIMITED LIFETIME WARRANTY

This warranty is given to the initial purchaser and is valid from the date of purchase, for as long as the initial purchaser owns the product. This warranty covers defects in material and craftsmanship found during normal usage of the product during the warranty period. Normal usage is defined by 8 hour shifts in the product's intended application and in an indoor environment that conforms to the ANSI/ASHRAE Standard 55: Thermal Environmental Conditions for Human Occupancy (relating to air temperature, mean radiant temperature, air velocity, clothing insulation, metabolic rate, and humidity). Friant's warranty does not cover usage other than normal usage as defined in the previous sentence. If the product is defective, and if written notice of the defect is given to Friant & Associates within the applicable warranty period, Friant & Associates, at its option, will either repair or replace the defective product with a comparable component or product. This warranty applies to all products except as noted below.

High wear parts, such as wood veneer, fabrics, laminates and other covering material/finishes, foam, glides, etc. are warranted for one (1) year. This warranty does not apply to damage caused by a carrier, alteration to the product not expressly authorized by Friant & Associates, nor to product considered to be of a consumable nature such as bulbs, light ballasts, etc. It also does not apply to "Customer's Own Material" (i.e. material specified by the customer that is not a standard Friant & Associates offering) used in the manufacture of Friant & Associates products.

Our warranty for LED lights is 2 years.

Friant & Associates does not warrant the matching of colors, grain or texture, except to within commercially acceptable standards. This includes normal variations between dye lots (fabrics).

A product will not be considered defective, and Friant & Associates will not be obligated to replace it, if it is not installed in a proper manner (i.e. product not leveled, not secured properly, etc.) or if it is not used in a manner and/or in an environment that constitutes normal usage, as defined above.

Except as noted above, Friant & Associates makes no express or implied warranties to any product, and in particular makes no warranty of fitness for any particular use. At Friant & Associates' option, product repair and replacement is the customer's exclusive remedy for any and all product defects.

Friant & Associates shall not be liable for consequential, economic, or incidental damages arising from any product defect.

### CALIFORNIA PROP 65 WARNING

Products in this catalog can expose you to chemicals including wood dust, which is known to the State of California to cause cancer or birth defects or other reproductive harm. For more information go to <https://www.p65warnings.ca.gov/products/furniture-products>."

### CARB

Friant products are CARB 93120 compliant for formaldehyde (phase 2)

### TSCA TITLE VI

Friant products are TSCA Title VI Compliant

### MAS

Accredited Compliance Designation - ANSI/BIFMA x7.1 & e3-2014 7.6.1, 7.6.2, 7.6.3

California Dept. Of Public Health Standard Method v1.2

Conforms With: LEED v4

Criteria of MAS Certified Green® Program

## Standard Finishes

---

Laminate storage has finish options for Case, Top and Front. Case finish is available in M9 Cloud White only. Some storage will have choice of top color, some are available in M9 Cloud White only. See Statement of Line (starting on page 9) and individual item descriptions for details.

### LAMINATE FINISHES

M1	Light Maple
M2	Light Cherry
M6	Light Gray
M9	Cloud White
M10	Espresso
M11	Light Walnut
M12	Medium Walnut
M13	Licorice
M16	Tundra
M28	Arctic

### METAL FINISHES

BU	Black Umber
CW	Cloud White
SV	Silver

### GROMMET COLORS

BU	Black Umber
CW	Cloud White
SV	Silver

Order samples at [www.friant.com](http://www.friant.com)

**Please Note:** Images are printed simulations and are not exact matches of finished product. Please request an actual sample from Friant or your sales consultant before specifying finishes.

# Powering Dash

## ordering power for a credenza

Credenzas may be ordered with either single circuit plug-in or 4-circuit hardwire power. See below for an ordering guide:

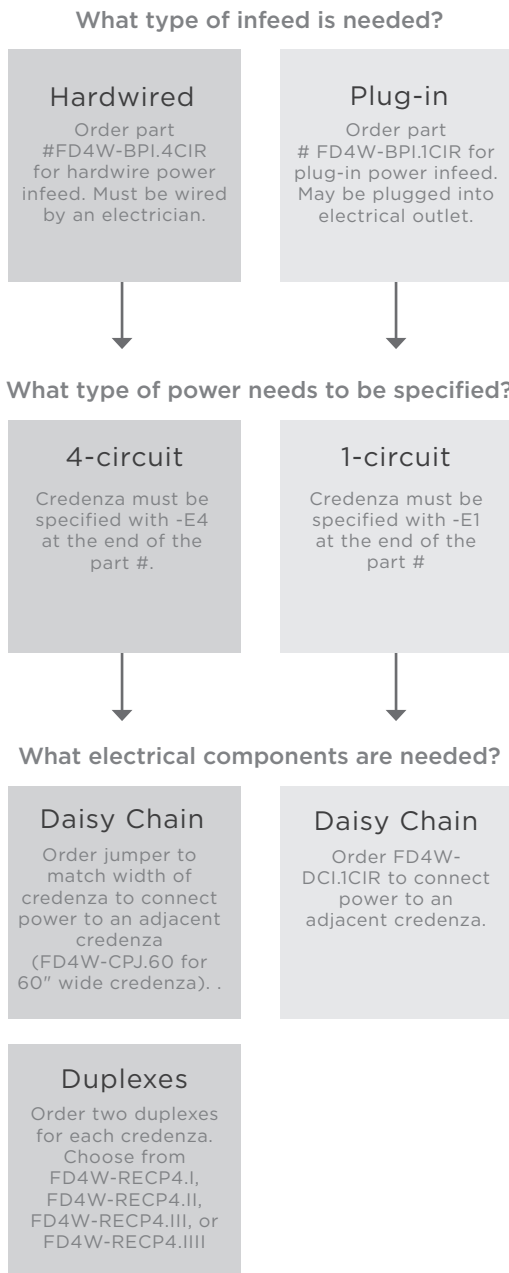


Figure C

## power distribution options

### Power single credenza

Order powered credenza by specifying -E1 or -E4  
Single circuit power -E1 shown

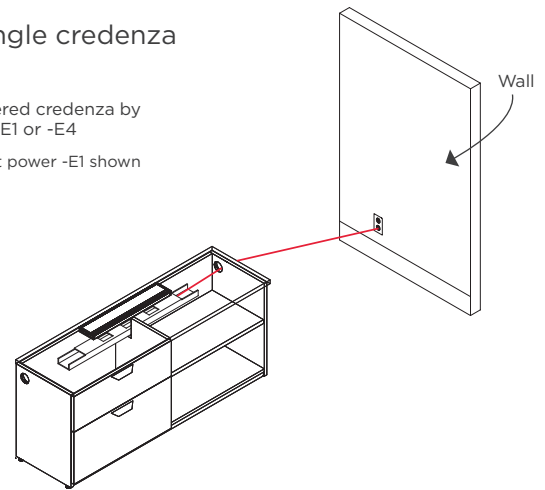


Figure D1

### Powered Interra Panels

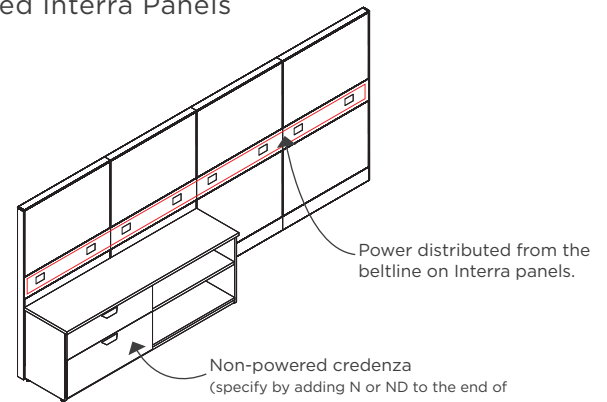


Figure D2

Power distributed from the beltline on Interra panels.  
Non-powered credenza (specify by adding N or ND to the end of the part # indicating non-powered).

### Daisy Chained Powered Credenza

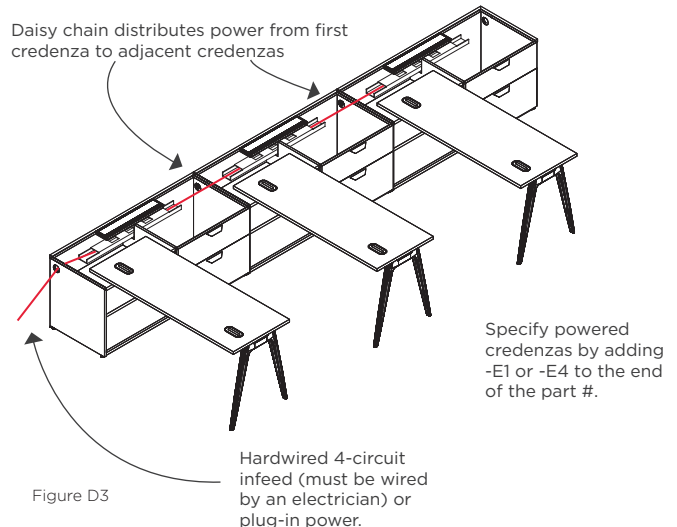


Figure D3

Daisy chain distributes power from first credenza to adjacent credenzas

Specify powered credenzas by adding -E1 or -E4 to the end of the part #.

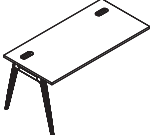
Hardwired 4-circuit infeed (must be wired by an electrician) or plug-in power.

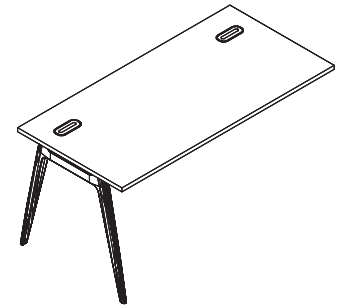
## How to Order Dash

### 1 Select a tabletop

Options include freestanding, resting, and return tops starting from page 24 onwards.

Also, choose from multiple leg options. See page 13 for leg options. The resting tabletops require supporting storage.

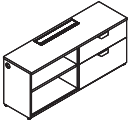
Choose	Specify Part #	Specify Finish	Specify Legs
	FD4W-DA26-3054-L	Light Maple	Inset



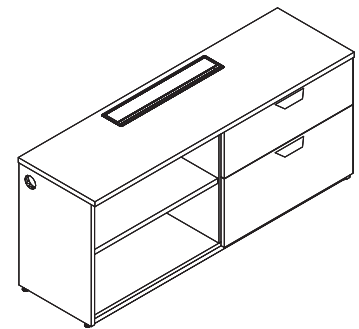
Left shown

### 2 Select supporting storage

Serves as both storage and support for unsupported tabletop styles. Options for 26" high supporting storage include pedestals and two section credenzas

Choose	Specify Part #	Specify Finish for Top, Casing & Front
	FD4W-LC26-1860-1R-B*	Top: light maple Casing: white Front: light maple

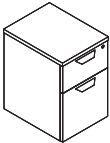
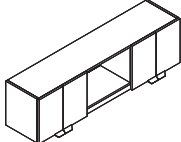
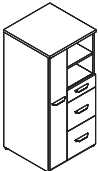
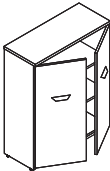
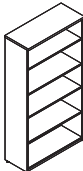

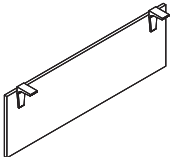
\*Note the left (L) and right (R) options in the part numbers when ordering.



Right shown

### 3 Select additional items to complete your system

Options include:

Pedestals	Overhead Storage	Wardrobe Towers	Storage Towers	Bookcases	Power	Modesty Panels
						

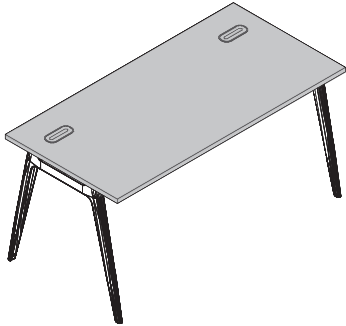
Specify finish (be sure to note the left (L) and right (R) options in the part numbers, when applicable)



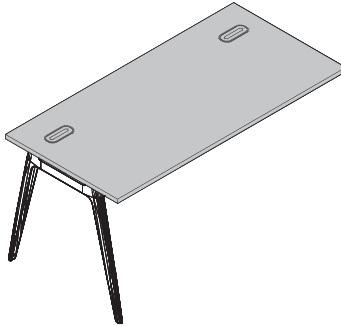
## Statement of Line

### TABLETOPS

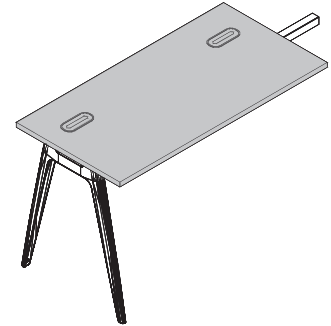
All tabletops include left and right grommets.  
Available with Inset Straight, Taper Straight, or Post legs. Choice of laminate top color.  
Resting tabletop requires supporting storage.



**FREESTANDING TABLETOP**  
Depth: 24", 30"  
Width: 60", 66", 72"



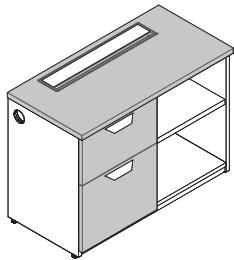
**RESTING TABLETOP**  
Depth: 24", 30"  
Width: 60", 66", 72"  
Left or Right



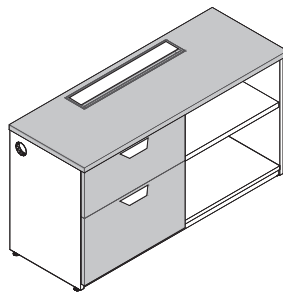
**RETURN TABLETOP**  
Depth: 24"  
Width: 42", 48", 60"  
Left or Right

### CREDENZAS

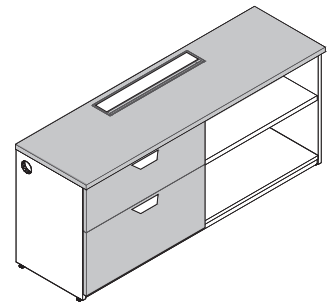
Supporting credenzas with box/file drawers and open shelf.  
Available in 4-circuit power, single-circuit power, non-powered with access door, or non-powered without access door.  
Choice of laminate front and top colors. Case is M9 Cloud White only. Shelving matches case color.



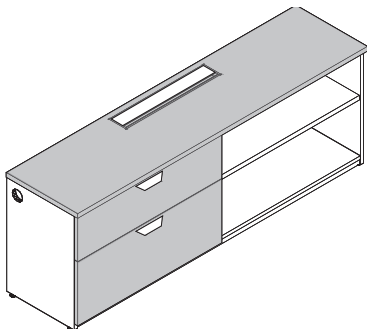
**CREDENZA**  
18"D x 36"W x 26"H  
Left or Right



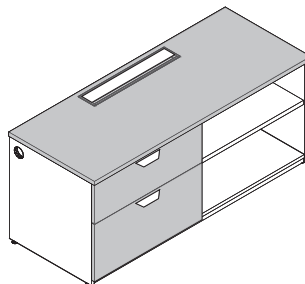
**CREDENZA**  
18"D x 48"W x 26"H  
Left or Right



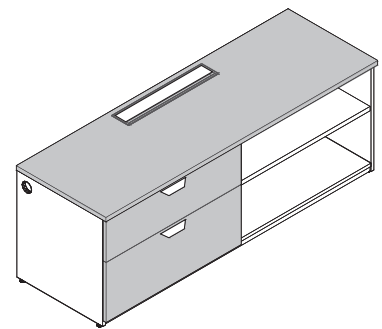
**CREDENZA**  
18"D x 60"W x 26"H  
Left or Right



**CREDENZA**  
18"D x 72"W x 26"H  
Left or Right



**CREDENZA**  
24"D x 60"W x 26"H  
Left or Right



**CREDENZA**  
24"D x 72"W x 26"H  
Left or Right

## Statement of Line

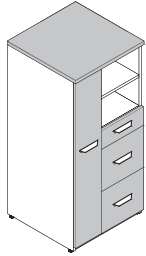
---

### WARDROBE TOWERS

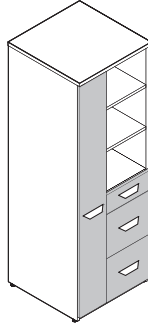
Storage includes wardrobe with coat rod, box/file/file and open front shelves.

For 53"H tower: Choice of laminate front and top colors. Case is M9 Cloud White only.

For 69"H tower: Choice of laminate front color. Top and case are M9 Cloud White only.



53"H WARDROBE TOWER  
Left or Right



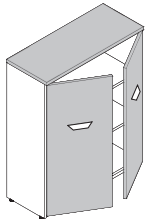
69"H WARDROBE TOWER  
Left or Right

### STORAGE CABINETS

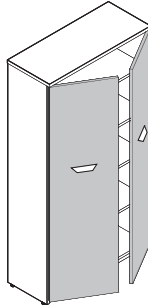
Includes adjustable shelves and doors.

For 45"H cabinet: Choice of laminate front and top colors. Case is M9 Cloud White only.

For 69"H cabinet: Choice of laminate front color. Top and case are M9 Cloud White only.



45"H STORAGE CABINET  
Width: 30", 36"



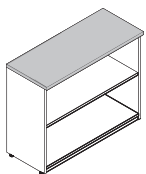
69"H STORAGE CABINET  
Width: 30", 36"

### BOOKCASES

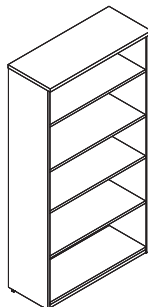
Includes adjustable shelves.

For 29"H bookcase: Choice of laminate top color. Case is M9 Cloud White only.

For 69"H bookcase: M9 Cloud White only.



29"H BOOKCASE  
Width: 36"



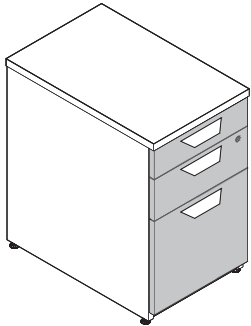
69"H BOOKCASE  
Width: 36"

## Statement of Line

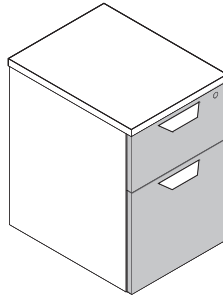
---

### PEDESTALS

Choice of laminate front color. Top and case are M9 Cloud White only. Pencil/Box/File is able to support Resting Tabletops.



SUPPORTING PENCIL/BOX/FILE  
Depth: 24"  
Height: 26"

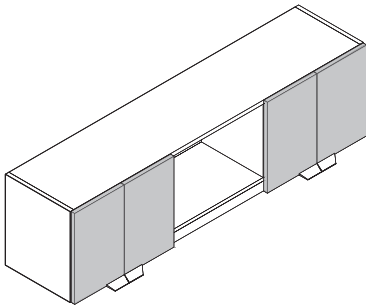


MOBILE BOX/FILE  
Depth: 20", 24"

---

### WALL-MOUNTED OVERHEAD

Choice of laminate front color. Top and case are M9 Cloud White only.

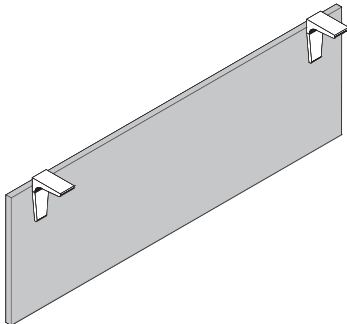


LAMINATE SWING DOOR AND  
OPEN SHELF  
Width: 60", 72"

---

### MODESTY PANEL

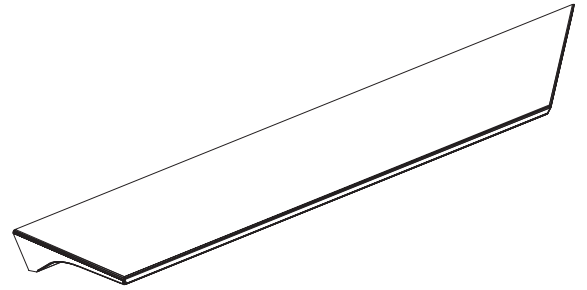
Choice of laminate color. Mounts to the underside of a tabletop.



LAMINATE MODESTY  
Height: 16"  
Width: 48", 54", 60"

## Pull Options, Dash Storage

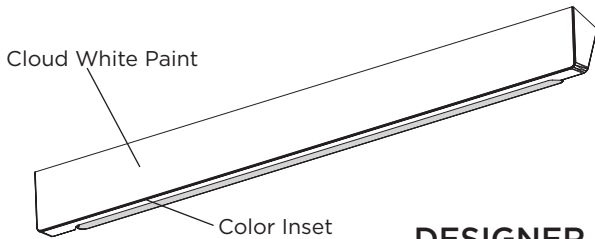
You have multiple pull options. Please specify type when ordering. If you have any questions, please contact Friant Customer Service or your local sales rep.



### WEDGE PULL

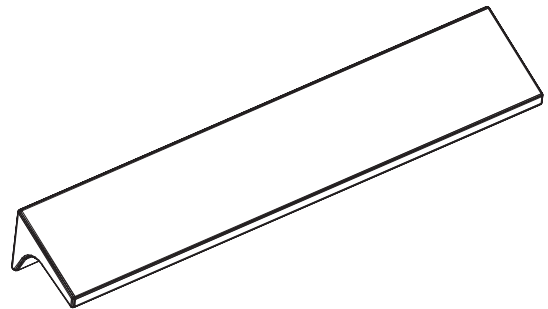
(default pull)

Brushed metal finish



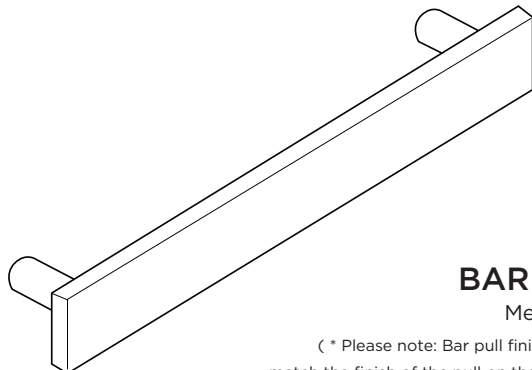
### DESIGNER PULL

Cloud White/Red,  
Cloud White/Green,  
Cloud White/Grey



### SLANT PULL

Brushed metal finish



### BAR PULL

Metal finish

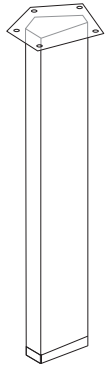
(\* Please note: Bar pull finish does not match the finish of the pull on the DASH wall mounted overheads.)

## Leg Options, Dash Tabletops

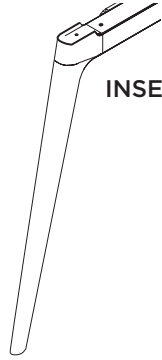
---

### Select a leg style

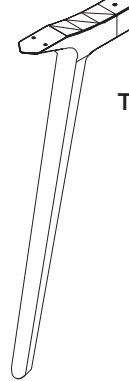
Choose from Post, Inset and Taper.



**POST LEG**



**INSET LEG**

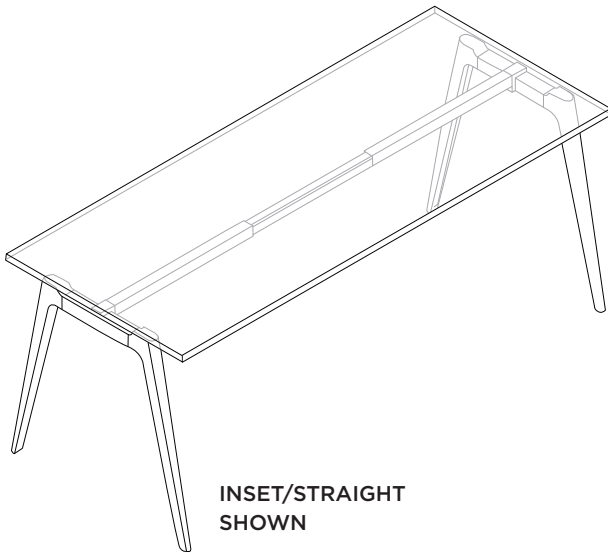


**TAPER LEG**

For the Quickship program, Inset and Taper legs are available with straight support bars only.  
For Concave support bars, see Dash Standard lead time catalog.

### FREESTANDING TABLETOPS (4 LEGS)

---

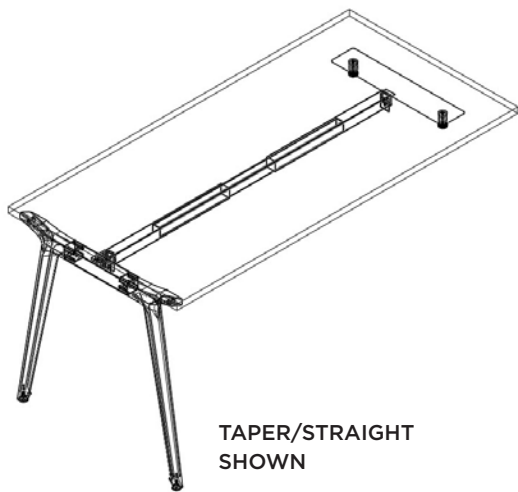


**INSET/STRAIGHT  
SHOWN**

DASH

### RESTING TABLETOPS (2 LEGS)

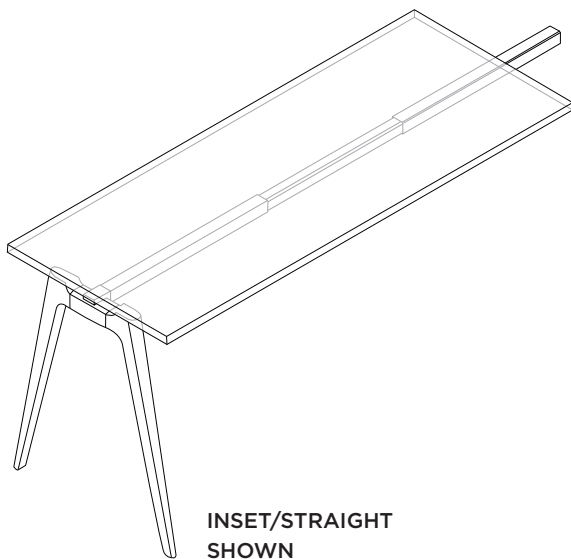
---



TAPER/STRAIGHT  
SHOWN

### RETURN TABLETOPS (2 LEGS)

---



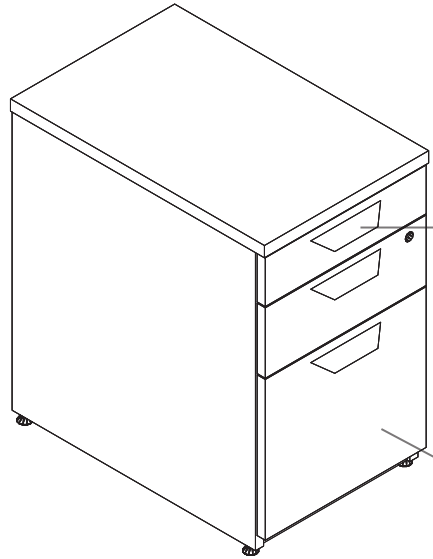
INSET/STRAIGHT  
SHOWN

# Supporting and Mobile Pedestals

FRIANT pedestals are laminate (page 33-34) and available as supporting storage or mobile. Specify the laminate finish and pull that you prefer.

## SUPPORTING PEDESTALS, 26" High

**FRONT TO BACK FILE BAR**  
Front to Back file bar is included. Order side to side file bar separately for all pedestals.



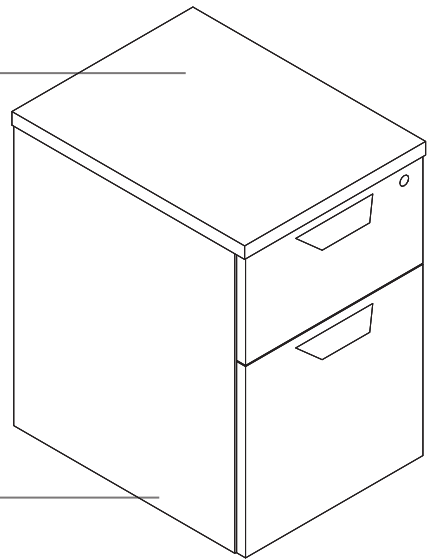
**LOCKING**  
Keyed alike option is available.

**PULLS**  
FRIANT offers 4 different pull options to choose from. (Wedge is default pull)

**SUPPORTING**  
Able to support resting tops

## MOBILE PEDESTALS, 24" High

**BOX/FILE MOBILE PEDESTAL**  
Top of pedestal is finished.



**FRONT TO BACK FILE BAR**  
Front to Back file bar is included. Order side to side file bar separately for all pedestals.

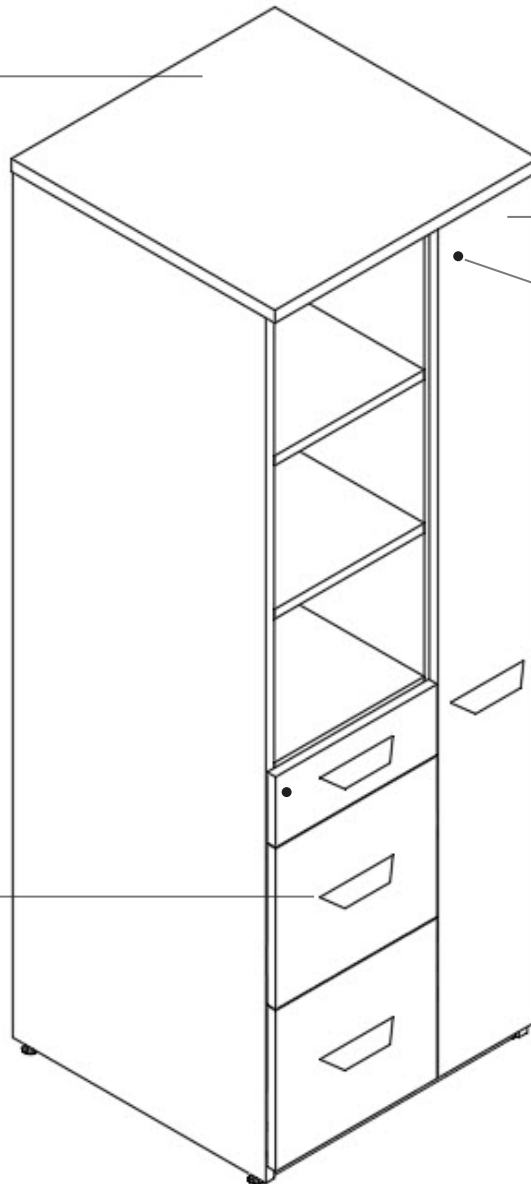
**LOCKING**  
Keyed alike option is available.

**BOX/FILE PEDESTALS**  
Ship standard with casters.

## Wardrobe Towers

FRIANT wardrobe towers (page 36) include drawers, shelves and swing door. Specify the laminate finishes and type of pull.

**TOP**  
Finished top cap



**WARDROBE**  
Wardrobe can be ordered on either right hand or left hand side

**LOCKING**  
Keyed alike option is available.  
(2) Lock cores per tower.

**PULLS**  
FRIANT has 4 different pull options to choose from. See pg 12.  
(Wedge is default pull)

**SIDE TO SIDE FILE BAR**  
Side to side file bar is included. Order front to back file bar separately.

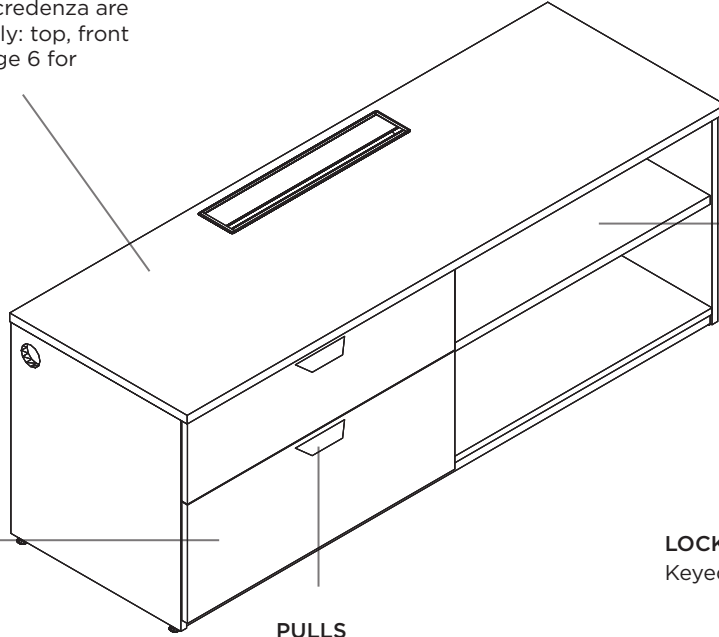


## Supporting Credenza Units

FRIANT credenzas (page 28 onwards) can be used freestanding or as supporting storage. Specify the laminate finishes and type of pull.

### FINISHES

Three parts of the credenza are specified individually: top, front and casing. See page 6 for laminate options.



### OPEN SHELVING

Credenza unit with open adjustable shelving.

### DRAWERS

Bottom drawer able to be used for filing

### LOCKING

Keyed alike option is available.

### PULLS

FRIANT has 4 different pull options to choose from (Wedge is default)

## Credenza - Grommet Color Selection

Grommets are included in the Credenza depending on the type of the credenza selected. To specify grommet color, see page 6

Grommet color selection applies to both top & side grommets.


Specify electrical part by replacing \* with:

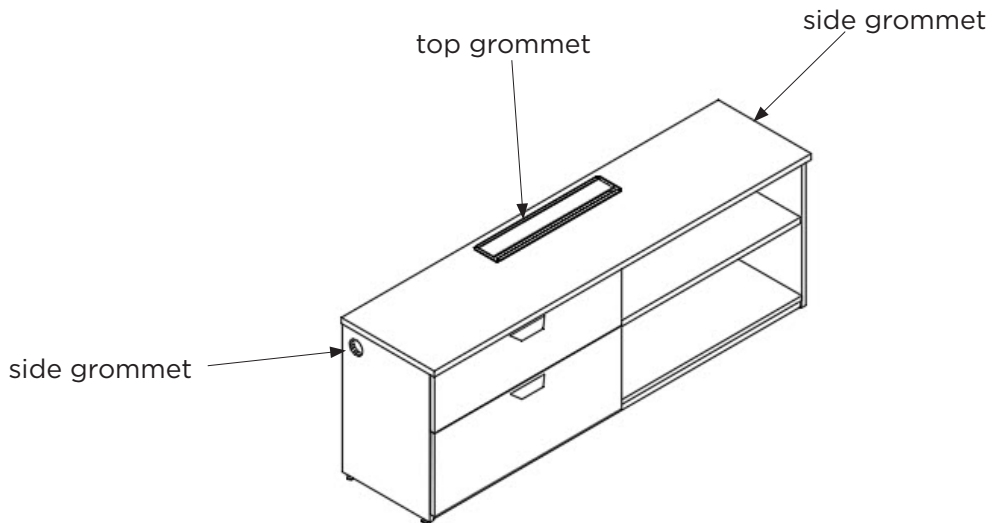
ND - non-powered with no flip up access door

N - non-powered with flip up access door

E1 - single circuit power

E4 - 4-circuit power

Choose	Specify Part #	Specify Grommet Color
	#: FD4W-LC26-1860-1L-B-*	SV



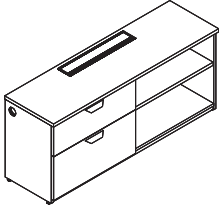
# Filing Guide

Detail for all products offering filing per drawer

## CREDENZAS - 18" Deep

### Letter

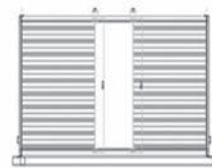
Front to back filing



36" and 48"



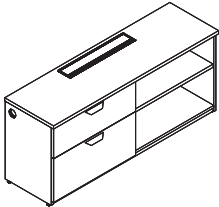
60" and 72"



## CREDENZAS - 18" Deep

### Legal

Front to back filing



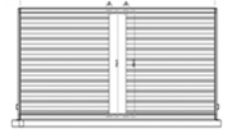
36"



48" and 60"



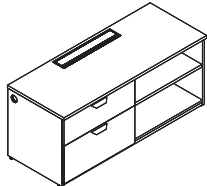
72"



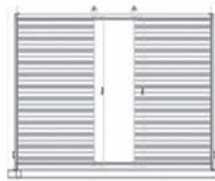
## CREDENZAS - 24" Deep

### Letter

Front to back filing



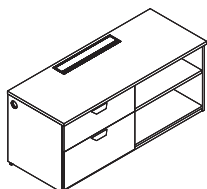
60" and 72"



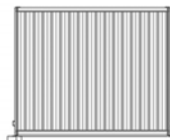
## CREDENZAS - 24" Deep

### Legal

Side to side filing



All Widths



DASH

## Filing Guide

Detail for all products offering filing per drawer

### PEDESTALS - Supporting or Mobile, All Depths

#### Letter

Front to back filing



Supporting



Mobile

All Widths



### PEDESTALS - Supporting or Mobile, All Depths

#### Legal

Side to side filing



Supporting



Mobile

All Widths



### STORAGE TOWERS - 24" Deep

#### Letter

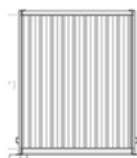
Front to back filing



### STORAGE TOWERS - 24" Deep

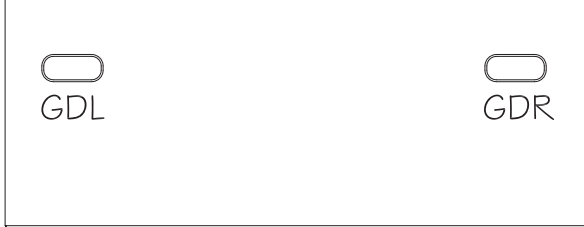
#### Legal

Side to side filing



# Grommet Locations

All Dash 4-Week Tabletops will come with left and right grommets included. Grommet position depends on type of leg selected. See below chart for details.



### POST LEGS

CODE	POSITION
GDL	9" from left side - 5.5" from rear
GDR	9" from right side - 5.5" from rear

### TAPER/INSET LEGS

CODE	POSITION
GDL	4" from left side - 7" from rear
GDR	4" from right side - 7" from rear

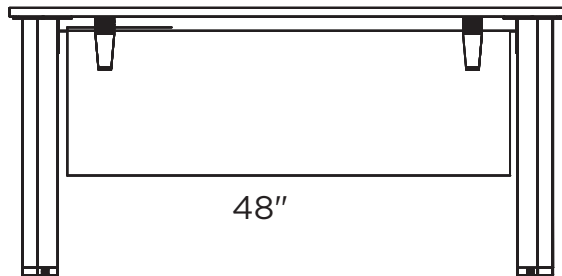
Dimensions are measured from grommet edge to worksurface edge.

## Modesty Panel Guide

Guide for determining Modesty Panel Size based on Leg Type:  
 12" less for Post Legs  
 6" less for straight support legs (Inset Straight and Taper Straight)

POST LEGS

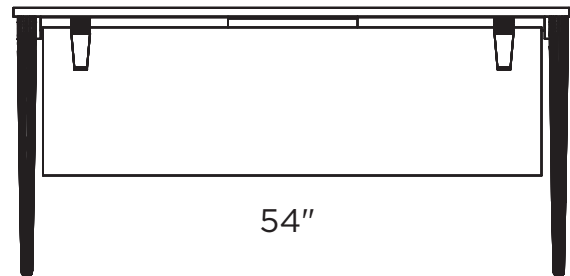
60"



Order modesty panel 12" less than surface width.

STRAIGHT BAR  
Inset/Taper legs

60"

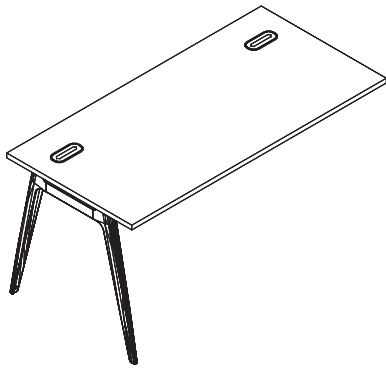


Order modesty panel 6" less than surface width.

**Note:** for Resting Tabletops, the size of the modesty panel will depend on several factors, including the depth and type of supporting storage. We recommend drawing and measuring the specific configuration. Please contact us for assistance with any questions.

# TABLETOPS

## Resting Tabletops



Inset Straight

### DESCRIPTION

Resting tabletop has legs on one side, while the other side rests on a supporting credenza or pedestal. Includes support structure.

### SPECIFICATION OPTIONS

**product #:** See charts below  
**top:** See page 6  
**leg style:** Taper, Inset or Post  
**support finish:** CW, BU, SV  
**grommet color:** CW, BU, SV

### ORDER EXAMPLE

**product #:** FD4W-DA26-3060-L  
**top :** M16 Tundra  
**leg style:** Inset  
**support finish:** CW Cloud White  
**grommet color:** Cloud White

### Options/Notes

#### Standard Includes

- Specify part # ending in -L or -R for the side with legs.
- All tabletops will come with a left and right grommet included
- For full description of support leg options, see page 13

## 24" DEEP

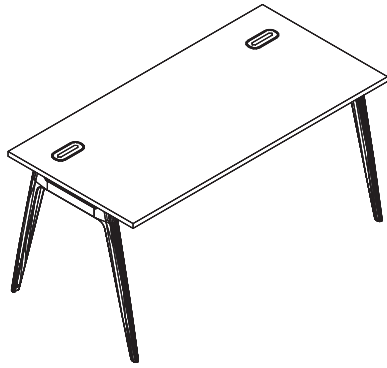
PART #	HEIGHT	WIDTH	DEPTH	BASE PRICE POST LEG	LEG STYLE SELECTION	
					INSET/STRAIGHT	TAPER/STRAIGHT
FD4W-DA26-2460-L	29"	60"	24"	\$1,385	+ \$38	+ \$141
FD4W-DA26-2460-R	29"	60"	24"	\$1,385	+ \$38	+ \$141
FD4W-DA26-2466-L	29"	66"	24"	\$1,442	+ \$37	+ \$140
FD4W-DA26-2466-R	29"	66"	24"	\$1,442	+ \$37	+ \$140
FD4W-DA26-2472-L	29"	72"	24"	\$1,492	+ \$42	+ \$144
FD4W-DA26-2472-R	29"	72"	24"	\$1,492	+ \$42	+ \$144

## 30" DEEP

PART #	HEIGHT	WIDTH	DEPTH	BASE PRICE POST LEG	LEG STYLE SELECTION	
					INSET/STRAIGHT	TAPER/STRAIGHT
FD4W-DA26-3060-L	29"	60"	30"	\$1,537	+ \$29	+ \$139
FD4W-DA26-3060-R	29"	60"	30"	\$1,537	+ \$29	+ \$139
FD4W-DA26-3066-L	29"	66"	30"	\$1,599	+ \$22	+ \$131
FD4W-DA26-3066-R	29"	66"	30"	\$1,599	+ \$22	+ \$131
FD4W-DA26-3072-L	29"	72"	30"	\$1,653	+ \$22	+ \$131
FD4W-DA26-3072-R	29"	72"	30"	\$1,653	+ \$22	+ \$131



# Freestanding Tabletops



Inset Straight Leg shown

DESCRIPTION

Freestanding tabletop. Includes support structure.

SPECIFICATION OPTIONS

**product #:** See charts below  
**top:** See page 6  
**leg style:** Taper, Inset or Post  
**support finish:** CW, BU, SV  
**grommet color:** CW, BU, SV

ORDER EXAMPLE

**product #:** FD4W-DA-3060-B  
**top:** M16 Tundra  
**leg style:** Inset  
**support finish:** CW Cloud White  
**grommet:** Cloud White

### Options/Notes

**Standard Includes**

- All tabletops will come with a left and right grommet included
- For full description of support leg options, see page 13

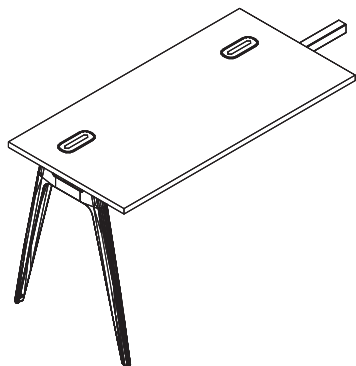
## 24" DEEP

PART #	HEIGHT	WIDTH	DEPTH	BASE PRICE POST LEG	LEG STYLE SELECTION	
					INSET/STRAIGHT	TAPER/STRAIGHT
FD4W-DA-2460-B	29"	60"	24"	\$1,773	+ \$365	+ \$573
FD4W-DA-2466-B	29"	66"	24"	\$1,773	+ \$365	+ \$573
FD4W-DA-2472-B	29"	72"	24"	\$1,778	+ \$616	+ \$823

## 30" DEEP

PART #	HEIGHT	WIDTH	DEPTH	BASE PRICE POST LEG	LEG STYLE SELECTION	
					INSET/STRAIGHT	TAPER/STRAIGHT
FD4W-DA-3060-B	29"	60"	30"	\$1,736	+ \$475	+ \$693
FD4W-DA-3066-B	29"	66"	30"	\$1,868	+ \$384	+ \$602
FD4W-DA-3072-B	29"	72"	30"	\$1,872	+ \$648	+ \$866

## Return Tabletops



Inset Straight Leg shown

### DESCRIPTION

Return tabletops attach to freestanding tabletops. Includes support structure.

### SPECIFICATION OPTIONS

**product #:** See charts below  
**top:** See page 6  
**leg style:** Taper, Inset or Post  
**support finish:** CW, BU, SV  
**grommet color:** CW, BU, SV

### ORDER EXAMPLE

**product #:** FD4W-DA-BT-2442-L  
**top:** M16 Tundra  
**leg style:** Inset  
**support finish:** CW Cloud White  
**grommet:** Cloud White

### Options/Notes

#### Standard Includes

- Specify part # ending in -L or -R for the side of the return.
- All tabletops will come with a left and right grommet included
- For full description of support leg options, see page 13
- Can connect to a freestanding table and /or 29" high credenza

## 24" DEEP

PART #	HEIGHT	WIDTH	DEPTH	BASE PRICE	LEG STYLE SELECTION		
					POST LEG	INSET/STRAIGHT	TAPER/STRAIGHT
FD4W-DA-BT-2442-L	29"	42"	24"	\$845		+ \$350	+ \$459
FD4W-DA-BT-2442-R	29"	42"	24"	\$845		+ \$350	+ \$459
FD4W-DA-BT-2448-L	29"	48"	24"	\$868		+ \$356	+ \$459
FD4W-DA-BT-2448-R	29"	48"	24"	\$868		+ \$356	+ \$459
FD4W-DA-BT-2460-L	29"	60"	24"	\$1,126		+ \$169	+ \$279
FD4W-DA-BT-2460-R	29"	60"	24"	\$1,126		+ \$169	+ \$279

## Table Power Components

### DESCRIPTION

Parts for distributing and managing power for tables

### SPECIFICATION OPTIONS

product #: See charts below

### ORDER EXAMPLE

product #: FD4W-SFC-306-4A

### Options/Notes

- For use with Dash Worksurfaces
- Single Circuit

## TABLE POWER DISTRIBUTION



### PART #

FD4W-SFC-306-4A

### PRICE

\$75

### NOTES

- Use with single circuit infeed (FD4W-BPI.1CIR)
- Optional power strip to attach to the underside of tabletops.

## SINGLE CIRCUIT INFEED



### PART #

FD4W-BPI.1CIR

### LENGTH

96"

### PRICE

\$86

### NOTES

- Plug-in power infeed for use with one (1) circuit power distribution.
- First connection must be plugged into the wall. Additional connections can be daisy chained.
- 8" cord

## DAISY CHAIN POWER CONNECTOR



### PART #

FD4W-DCI.1CIR

### LENGTH

96"

### PRICE

\$86

### NOTES

- Connects adjacent table power distribution
- 8" cord

## DESK MOUNTED POWER UNIT



### PART #

FD4W-FPWR.DM

### PRICE

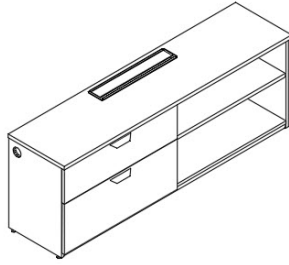
\$395

### NOTES

- Worksurface mounted power unit
- The power cord comes attached to the unit. The cord measures approximately 6 ft in length.
- Includes 3 plugs and 2 USB ports
- Distributes up to 10 amps
- finish: available in BU and CW

## Two Section Credenza, Drawers & Shelves

with Base



Left drawers shown

### DESCRIPTION

Two section supporting credenza, 26" drawers & shelves with base.

### SPECIFICATION OPTIONS

**product #:** See charts below  
**top:** See page 6  
**casing:** M9 Cloud White only  
**front:** See page 6  
**pull:** See page 12  
**grommet color:** CW, BU, SV

### ORDER EXAMPLE

**product #:** FD4W-LC26-1836-1L-B-N  
**top:** M1 Light Maple  
**casing:** M9 Cloud White  
**front:** M1 Light Maple  
**pull:** Wedge  
**grommet color:** SV Silver

### Options/Notes

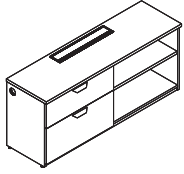
#### Standard Includes

- Order L for left drawer, or R for right drawer
- Order power by replacing \* with:
  - ND for non-powered with no flip up access door
  - N for non-powered with flip up access door
  - E1 for single circuit power
  - E4 for 4-circuit power
- Choice of laminate front and top colors. Case is M9 Cloud White only.
- Shelving matches casing selection
- Top & side grommets are included with -N, -E1 and -E4 credenzas.
- Grommet color selection applies to both top and side grommets.
- No top or side grommets included with ND credenzas.
- Includes lock

#### Order Separately

- Order additional electrical parts for powered credenza separately, see page 30

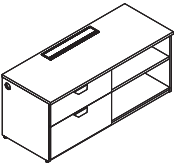
## DRAWERS & SHELVES, with Base, 18"D



L drawers shown

PART #	HEIGHT	WIDTH	DEPTH	PRICE			
				ND	N	E1	E4
FD4W-LC26-1836-1L-B-*	26"	36"	18"	\$1,571	\$1,805	\$2,052	\$1,943
FD4W-LC26-1836-1R-B-*	26"	36"	18"	\$1,571	\$1,805	\$2,052	\$1,943
FD4W-LC26-1848-1L-B-*	26"	48"	18"	\$1,804	\$2,038	\$2,285	\$2,176
FD4W-LC26-1848-1R-B-*	26"	48"	18"	\$1,804	\$2,038	\$2,285	\$2,176
FD4W-LC26-1860-1L-B-*	26"	60"	18"	\$1,991	\$2,224	\$2,471	\$2,362
FD4W-LC26-1860-1R-B-*	26"	60"	18"	\$1,991	\$2,224	\$2,471	\$2,362
FD4W-LC26-1872-1L-B-*	26"	72"	18"	\$2,192	\$2,425	\$2,672	\$2,563
FD4W-LC26-1872-1R-B-*	26"	72"	18"	\$2,192	\$2,425	\$2,672	\$2,563

## DRAWERS & SHELVES, with Base, 24"D



L drawers shown

PART #	HEIGHT	WIDTH	DEPTH	PRICE			
				ND	N	E1	E4
FD4W-LC26-2460-1L-B-*	26"	60"	24"	\$2,027	\$2,260	\$2,507	\$2,398
FD4W-LC26-2460-1R-B-*	26"	60"	24"	\$2,027	\$2,260	\$2,507	\$2,398
FD4W-LC26-2472-1L-B-*	26"	72"	24"	\$2,504	\$2,737	\$2,984	\$2,874
FD4W-LC26-2472-1R-B-*	26"	72"	24"	\$2,504	\$2,737	\$2,984	\$2,874

## Credenza Power Components

Single circuit

### DESCRIPTION

Power distribution for single circuit powered credenzas. Plugs into electrical outlet



### SPECIFICATION OPTIONS

product #: See charts below

### ORDER EXAMPLE

product #: FD4W-BPI.1CIR

### Options/Notes

#### Standard Includes

- For use with credenzas specified with -E1 at the end of the part #.

## SINGLE CIRCUIT INFEEED

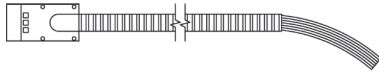
	PART #	LENGTH	PRICE	NOTES
	FD4W-BPI.1CIR	96"	\$86	<ul style="list-style-type: none"> <li>• Plug-in power infeed for use with single circuit power distribution.</li> <li>• First connection must be plugged into the wall. Additional connections can be daisy chained.</li> </ul>

## DAISY CHAIN POWER CONNECTOR

	PART #	LENGTH	PRICE	NOTES
	FD4W-DCI.1CIR	96"	\$86	<ul style="list-style-type: none"> <li>• Distributes power to adjacent credenzas.</li> </ul>

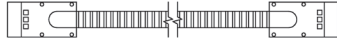
## Credenza Power Components

4 circuit



DESCRIPTION

Power distribution for 4-circuit powered credenzas

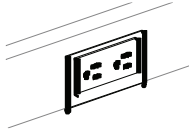


SPECIFICATION OPTIONS

product #: See charts below

ORDER EXAMPLE

product #: FB-BPE



### Options/Notes

Standard Includes

- For use with credenzas specified with -E4 at the end of the part #.
- Order (2) duplexes per credenza.

## 4-CIRCUIT INFEEED



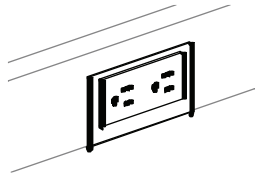
PART #	LENGTH	PRICE	NOTES
FD4W-BPI.4CIR	72"	\$327	<ul style="list-style-type: none"> <li>• Hardwire power infeed for use with 4 circuit power distribution.</li> <li>• Must be hardwired by an electrician.</li> <li>• 72" whip</li> </ul>

## DAISY CHAIN POWER CONNECTOR



PART #	LENGTH	PRICE	NOTES
FD4W-CPJ.36	22"	\$258	<ul style="list-style-type: none"> <li>• Connects to adjacent credenzas.</li> <li>• Last two digits of the part # represent the width of the credenza it should be used with. (Example: FD4W-CPJ.60 is for use with 60"W credenzas).</li> <li>• 4-circuit power distribution.</li> </ul>
FD4W-CPJ.42	28"	\$263	
FD4W-CPJ.48	34"	\$270	
FD4W-CPJ.54	40"	\$293	
FD4W-CPJ.60	46"	\$325	
FD4W-CPJ.66	52"	\$354	
FD4W-CPJ.72	58"	\$380	

## DUPLEX



PART #		PRICE	NOTES
FD4W-RECP4.I	circuit A	\$36	<ul style="list-style-type: none"> <li>• Used in 4-circuit powered credenza. Order 2 per credenza.</li> <li>• Provides access to I, II, III, IIII circuit.</li> <li>• Provides dedicated circuit with "IIII" receptacle.</li> <li>• Receptacle -CONT are permanently marked CONTROLLED on the face of the receptacle and must be connected to a timer or motion sensor at the infeed location by a licensed electrician in order to comply with California T24</li> </ul>
FD4W-RECP4.II	circuit B	\$36	
FD4W-RECP4.III	circuit C	\$36	
FD4W-RECP4.IIII	circuit D, dedicated	\$36	
FD4W-RECP4.II-CONT	Circuit II	\$36	
FD4W-RECP4.III-CONT	Circuit III	\$36	



## Supporting Pedestal

26" high with base



### DESCRIPTION

Supporting pencil/box/file pedestal with base

### SPECIFICATION OPTIONS

**product #:** See charts below  
**top:** M9 Cloud White only  
**casing:** M9 Cloud White only  
**front:** See page 6  
**pull:** See page 12

### ORDER EXAMPLE

**product #:** FD4W-PBFS-24-B  
**top:** M9 Cloud White  
**casing:** M9 Cloud White  
**front:** M1 Light Maple  
**pull:** Wedge

### Options/Notes

#### Standard Includes

- Supporting Pedestal, 26" high with base
- Includes pencil tray in top drawer.
- Choice of laminate front color. Case and top are M9 Cloud White only.
- Locking drawers
- Key alike available, see page 40

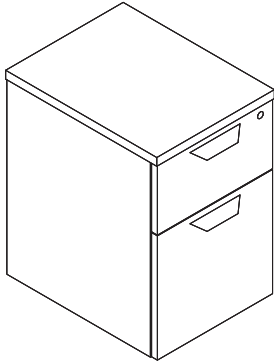
## PENCIL/BOX/FILE with Base, 26" High



PART #	HEIGHT	WIDTH	DEPTH	PRICE
FD4W-PBFS-24-B	26"	15.5"	24"	\$1,283

# Mobile Pedestal

Freestanding



DESCRIPTION

Mobile box/file pedestal on casters

SPECIFICATION OPTIONS

**product #:** See charts below  
**top:** M9 Cloud White only  
**casing:** M9 Cloud White only  
**front:** See page 6  
**pull:** See page 12

ORDER EXAMPLE

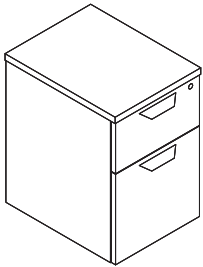
**product #:** FD4W-BF-2016-MOB  
**top:** M9 Cloud White  
**casing:** M9 Cloud White  
**front:** M1 Light Maple  
**pull:** Wedge

### Options/Notes

**Standard Includes**

- Mobile pedestal, 24" high
- Maximum weight limit for each drawer is 55lbs
- Includes pencil tray in top drawer.
- Choice of laminate front color. Case and top are M9 Cloud White only.
- Locking drawers
- Key alike available, see page 40

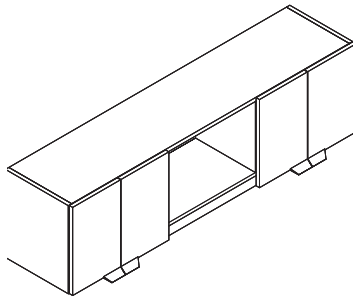
## BOX/FILE MOBILE



PART #	HEIGHT	WIDTH	DEPTH	PRICE	NOTES
FD4W-BF-2016-MOB	24"	15.5"	20"	\$1,169	• Includes casters
FD4W-BF-2416-MOB	24"	15.5"	24"	\$1,204	• Maximum weight limit for each drawer is 55lbs

# Wall Mounted Overhead

Laminate



DESCRIPTION

Wall mounted overhead with laminate swing doors and open shelves

SPECIFICATION OPTIONS

**product #:** See charts below  
**top:** M9 Cloud White only  
**casing:** M9 Cloud White only  
**front:** See page 6

ORDER EXAMPLE

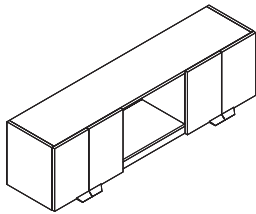
**product #:** FD4W-OS-1660-N  
**top:** M9 Cloud White  
**casing:** M9 Cloud White  
**front:** M1 Light Maple

## Options/Notes

**Standard Includes**

- Choice of laminate front color. Top and case are M9 Cloud White only.

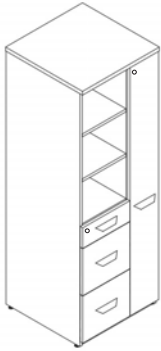
## LAMINATE SWING DOORS & OPEN SHELF, 16" HIGH



PART #	HEIGHT	WIDTH	DEPTH	PRICE	NOTES
FD4W-OS-1660-N	16"	60"	14"	\$1,356	• Laminate swing doors & open shelf
FD4W-OS-1672-N	16	72"	14"	\$1,480	

## Wardrobe Tower

With base



Right Shown

### DESCRIPTION

Wardrobe tower with base

### SPECIFICATION OPTIONS

**product #:** See charts below  
**top:** See page 6  
**casing:** M9 Cloud White only  
**front:** See page 6  
**pull:** See page 12

### ORDER EXAMPLE

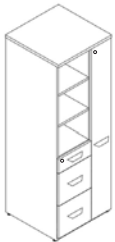
**product #:** FD4W-STW-2469-B-L  
**top:** M9 Cloud White  
**casing:** M9 Cloud White  
**front:** M1 Light Maple  
**pull:** Slant

### Options/Notes

#### Standard Includes

- Storage tower with wardrobe, box/file/file and open front shelves
- Wardrobe includes coat rod
- Specify L for left wardrobe, R for right wardrobe
- For 53"H tower: Choice of laminate front and top colors. Case is M9 Cloud White only.
- For 69"H tower: Choice of laminate front color. Top and case are M9 Cloud White only.
- Includes locks

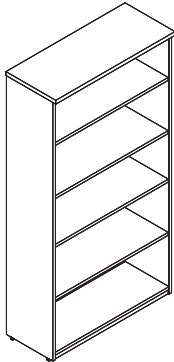
## Wardrobe Tower



PART #	HEIGHT	WIDTH	DEPTH	PRICE
FD4W-STW-2453-B-L	53"	24"	24"	\$2,426
FD4W-STW-2453-B-R	53"	24"	24"	\$2,426
FD4W-STW-2469-B-L	69"	24"	24"	\$2,661
FD4W-STW-2469-B-R	69"	24"	24"	\$2,661

# Classic Bookcase

With base



DESCRIPTION

Classic bookcase with base and adjustable shelves

SPECIFICATION OPTIONS

**product #:** See charts below  
**top:** See page 6  
**casing:** M9 Cloud White only

ORDER EXAMPLE

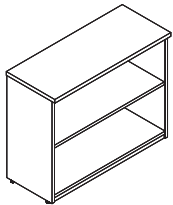
**product #:** FD4W-BC-2-36-B  
**top:** M9 Cloud White  
**casing:** M9 Cloud White

## Options/Notes

**Standard Includes**

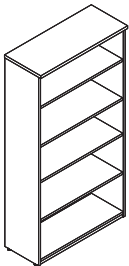
- Freestanding open bookcase
- Shelving matches casing selection
- For 29"H bookcase: Choice of laminate top color. Case is M9 Cloud White only.
- For 69"H bookcase: M9 Cloud White only.

## CLASSIC BOOKCASE with Base, 29" HIGH



PART #	HEIGHT	WIDTH	DEPTH	PRICE	NOTES
FD4W-BC-2-36-B	29"	36"	15"	\$887	

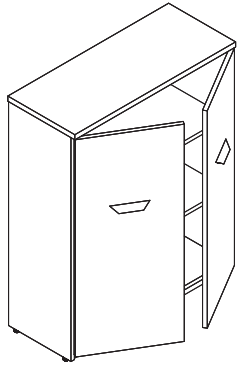
## CLASSIC BOOKCASE with Base, 69" HIGH



PART #	HEIGHT	WIDTH	DEPTH	PRICE	NOTES
FD4W-BC-5-36-B	69"	36"	15"	\$1,364	

# Storage Cabinet

With Base



DESCRIPTION

Storage cabinet with base and adjustable shelves

SPECIFICATION OPTIONS

**product #:** See charts below  
**top:** See page 6  
**casing:** M9 Cloud White only  
**front:** See page 6  
**pull:** See page 12

ORDER EXAMPLE

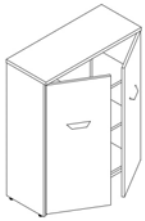
**product #:** FD4W-SC-3-30-B  
**top:** M9 Cloud White  
**casing:** M9 Cloud White  
**front:** M1 Light Maple  
**pull:** Wedge

### Options/Notes

**Standard Includes**

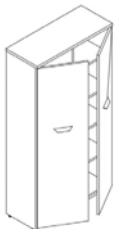
- Freestanding cabinet
- Shelving matches casing selection
- For 45"H cabinet: Choice of laminate front and top colors. Case is M9 Cloud White only.
- For 69"H cabinet: Choice of laminate front color. Top and case are M9 Cloud White only.
- Includes lock

## STORAGE CABINET, 45" HIGH



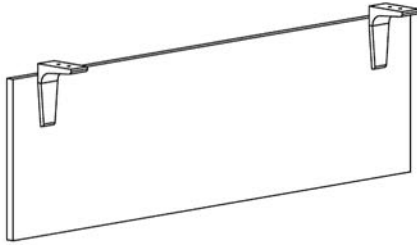
PART #	HEIGHT	WIDTH	DEPTH	PRICE	NOTES
FD4W-SC-3-30-B	45"	30"	15"	\$1,549	<ul style="list-style-type: none"> <li>• (2) Adjustable shelves</li> <li>• 30" and 36" wide have one lock and do not include center divider</li> </ul>
FD4W-SC-3-36-B	45"	36"	15"	\$1,719	

## STORAGE CABINET, 69" HIGH



PART #	HEIGHT	WIDTH	DEPTH	PRICE	NOTES
FD4W-SC-5-30-B	69"	30"	15"	\$2,108	<ul style="list-style-type: none"> <li>• (4) Adjustable shelves</li> <li>• 30" and 36" wide have one lock and do not include center divider</li> </ul>
FD4W-SC-5-36-B	69"	36"	15"	\$2,337	

# Modesty Panel



## DESCRIPTION

Attaches to the tabletop to provide privacy

## SPECIFICATION OPTIONS

**product #:** See charts below  
**laminate:** See page 6  
**brackets:** CW, BU, SV

## ORDER EXAMPLE

**product #:** FD4W-FLMOD.1660  
**laminate:** M16 Tundra  
**brackets:** Cloud White

## Options/Notes

Laminate modesty panel with matching PVC edge and painted brackets

Recommended size of modesty depends on leg type, see Modesty Panel Guide on page 22

## MODESTY PANEL

PART #	HEIGHT	WIDTH	LIST	NOTES
FD4W-FLMOD.1648	16"	48"	\$268	
FD4W-FLMOD.1654	16"	54"	\$354	
FD4W-FLMOD.1660	16"	60"	\$421	

## Keyed-Alike

### Storage Accessories

#### DESCRIPTION

All towers, credenzas, and pedestals can be keyed alike

#### SPECIFICATION OPTIONS

**product #:** See charts below

#### ORDER EXAMPLE

**product #:** FD4W-LAMI-KEY-ALIKE-4

### Options/Notes

#### Standard Includes

- Keyed-Alike Lock Cores are sold in sets of 4 or 6.
- Each set of keyed alike cores includes the cores, each core has two keys and all cores are the same lock number.
- Lock core removal/change keys will need to be ordered separately.
- Specific lock numbers are unavailable.
- Dash Key Cores are for use with laminate storage only. Cannot be keyed alike with metal storage.

## KEYED-ALIKE LOCKS

PART #		PRICE
FD4W-LAMI-KEY-ALIKE-4	Lock Core Keyed-Alike (set of 4)-Type 1 Laminate Storage	\$146
FD4W-LAMI-KEY-ALIKE-6	Lock Core Keyed-Alike (set of 6)-- Type 1 Laminate Storage	\$220
FD4W-LAMI-FCK	Lock Core Change Key - Type 1 Laminate Storage	\$22
FD4W-LAMI-FMK	Lock Core Master Key - Type 1 Laminate Storage	\$22
FD4W-LAMI-KEY-CORE	Single Lock Core - Type 1 Laminate Storage	\$35 each