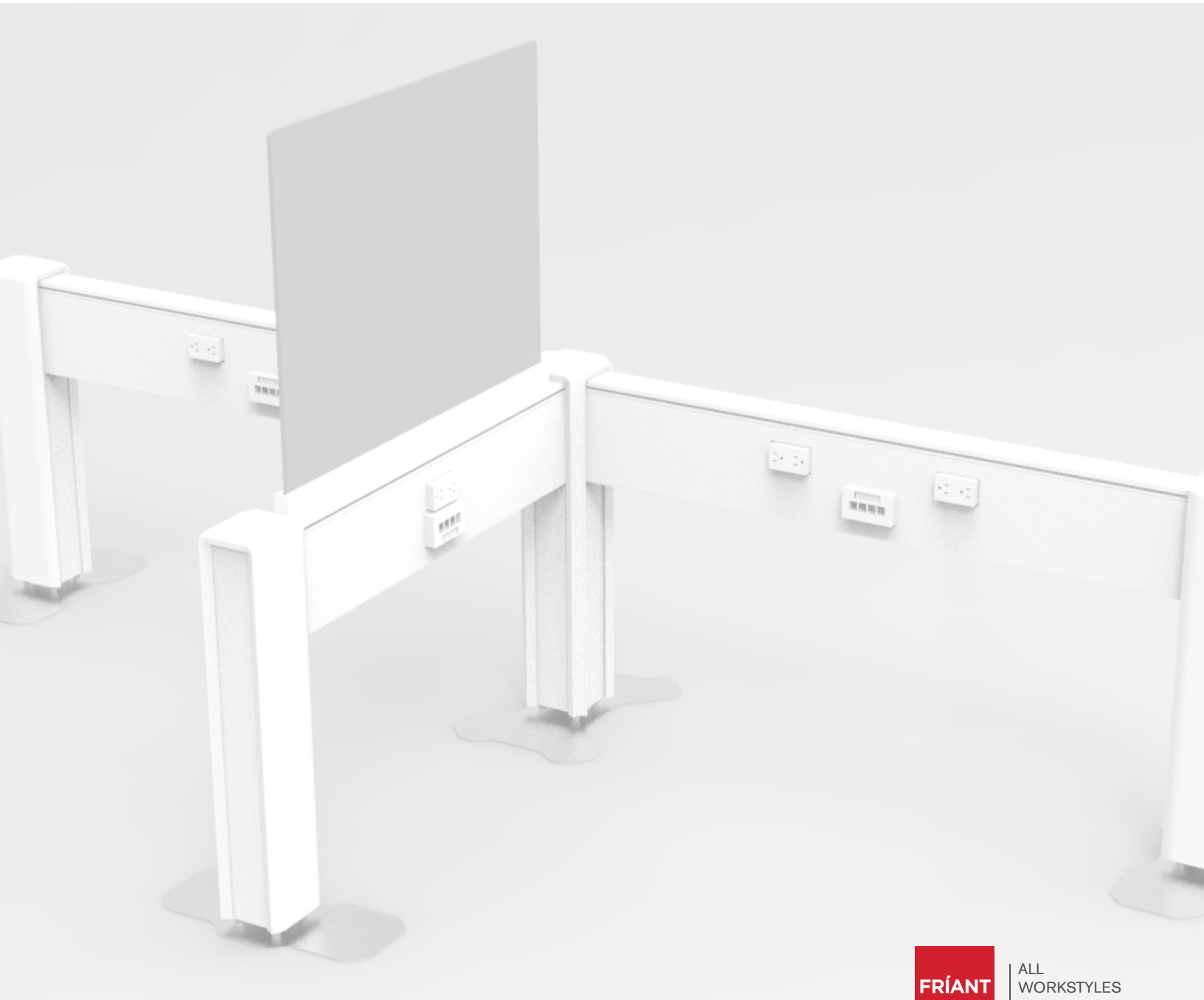


MY-HITE Beam Installation Manual



FRÍANT

ALL
WORKSTYLES
WELCOME

MY-HITE BEAM INSTALLATION MANUAL

Post & Foot Installation.....	7
Beam Installation.....	9
Installation of Top Cap with Screen support.....	10
Installation of Top Cap w/o Screen support.....	12
Festoon Installation.....	13
Base Feed Installation.....	14
4 Circuit Power Entry	15
Beam Power Pole Installation	16
Short Cover Installation.....	18
Tall Cover Installation	19
Beam Cover & Data Panel Installation	20
Arc Side Panel Installation.....	21
Corner Trim & Interior Column Top Cap Installation.....	22

GENERAL INFORMATION

GENERAL INFORMATION

This installation manual provides necessary information for the safe installation of Friant's Beam product.



WARNING: Failure to follow the instructions in this manual can result in product damage, personal injury or both.

SAFETY & SUPPORT

SAFETY NOTES

- Please read all **WARNINGS** and **NOTES**, as these are for your safety.
- Please read **TIPS** in the installation as helpful suggestions.
- Always use proper tools when installing.
- Keep your work area clean, clutter-free and safe during installation.
- Use eye protection when working under a workstation or when working with tools.
- Many products weigh more than 35 pounds. Use two or more people to safely lift, carry and install the products.
- When using tools, extension cords or ladders, use them in accordance to OSHA guidelines.
- Work safe, work smart.

SUPPORT CENTER

Should you have any questions or require assistance during the installation process, please telephone our support center:

PHONE (510) 535-5113

HOURS Monday - Friday, 8am - 5pm PST

Download additional copies of this installation manual at **www.friant.com/install**.

INSTALLATION TOOLS

INSTALLATION TOOLS

The following tools are necessary for field assembly and installation of Friant's My-Hite Beam product:

- #3 Phillips head screwdriver
- 5mm Allen Key Bit
- 1/2" Open End Wrench
- 1/2" Socket Wrench
- 1/4" Hand Driver for Socket

STAGING & INSTALLATION

STAGING

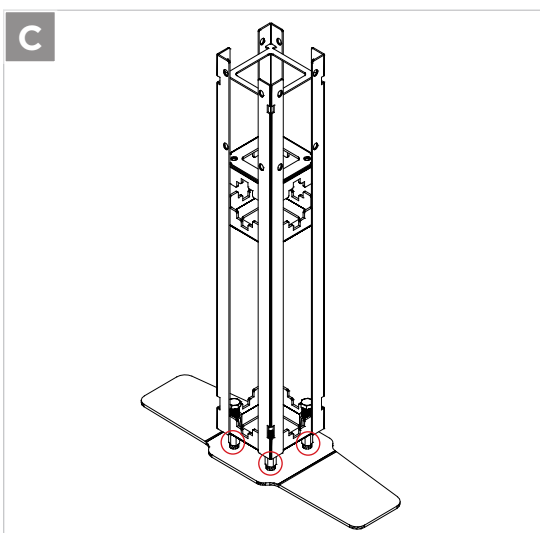
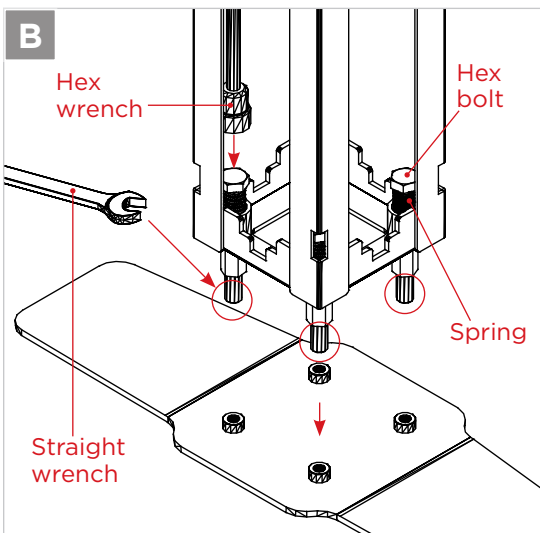
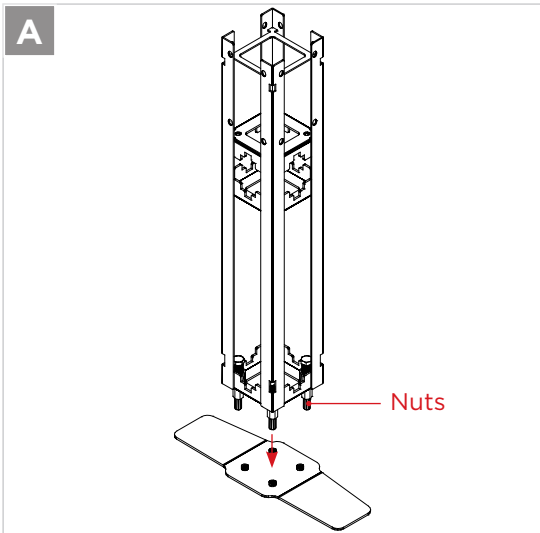
In an effort to make your project run more smoothly, the following is recommended:

- Unload all products into a staging area on your job site and sort by product number.
- Check in and count all products for accuracy and damage prior to the delivery truck leaving. Note any damages or shortages on the Bill of Lading before signing.
- Notify the factory immediately of any shortages or damages (with photo to document).
- Keep and maintain a clutter-free staging area — it will help speed up your assembly.
- Protect all building walls with furniture pads or cardboard where product is leaning against them or in high traffic areas.

FOR SUCCESSFUL INSTALLATION

Keep these items in mind while installing product:

- Verify that all products are level and correctly attached.



POST & FOOT INSTALLATION

Tools needed: (4)M8x80 hex bolt, (4) 16x45 brown springs, (4) nuts, straight wrench.

1. Attach (1) column to (1) foot using (4) M8x80 hex bolt, (4) 16x45 brown springs, and (4) nuts. IMAGE A & B



NOTE: Make sure bolt does not go through the base plate. It should not extrude on the bottom side.

2. Tighten the hex bolts and nuts using a hex wrench and straight wrench, to secure and level the column. IMAGE B



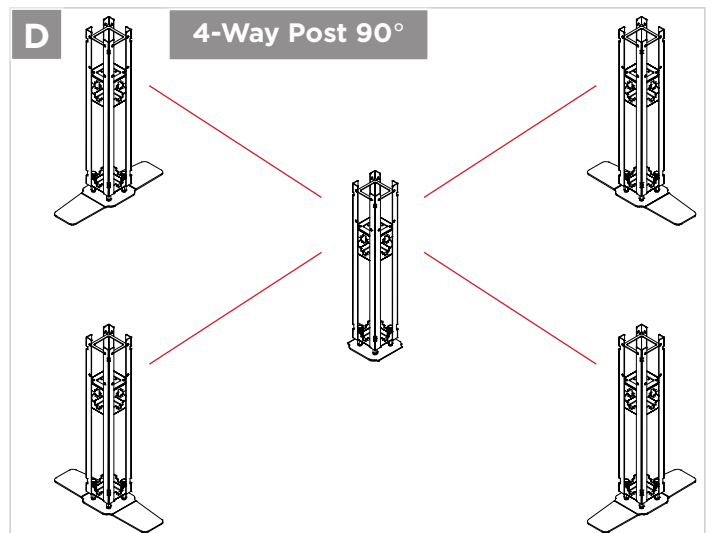
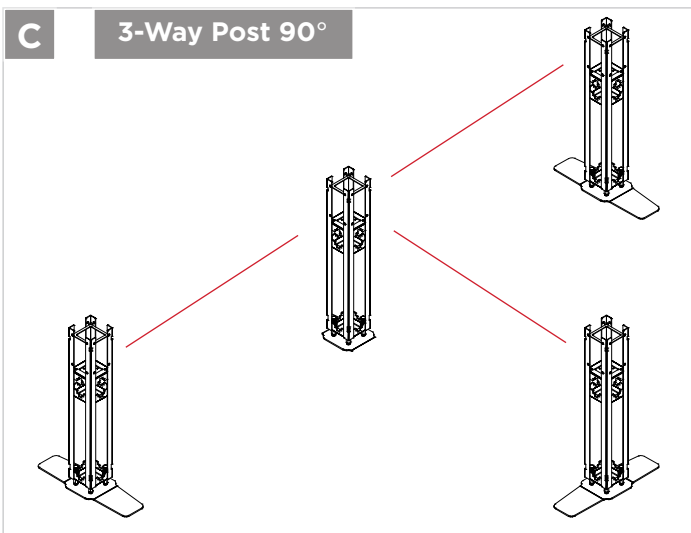
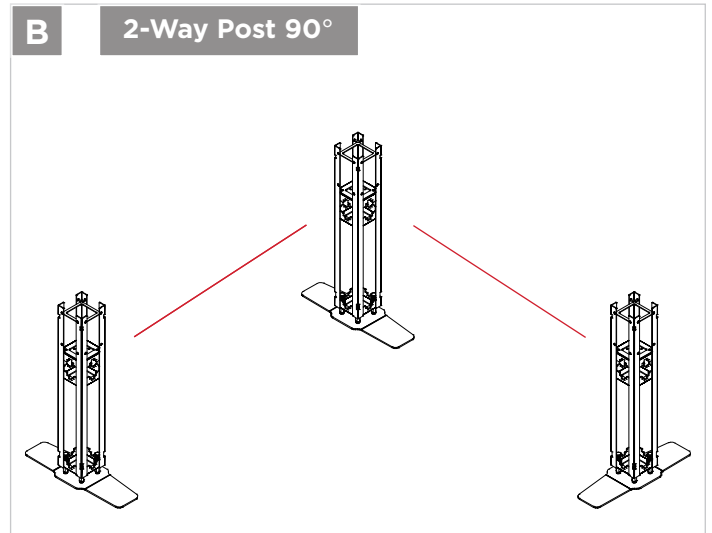
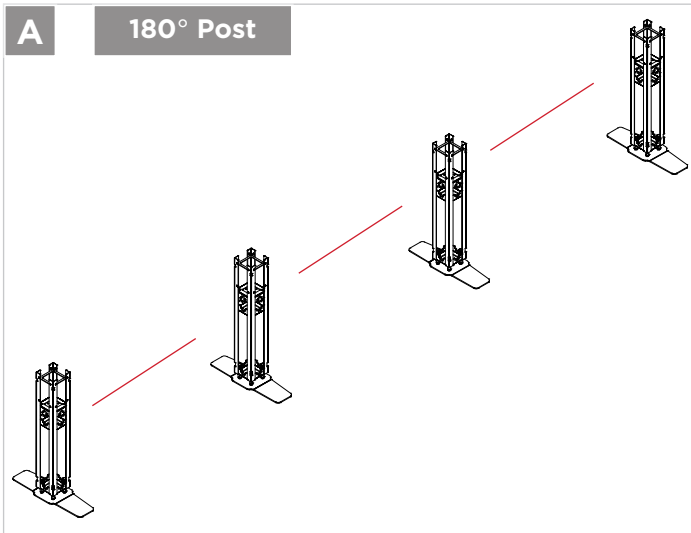
NOTE: Make sure that column is at 90° degrees to the foot and that the top of column is level when tightening the hex bolts and nuts.

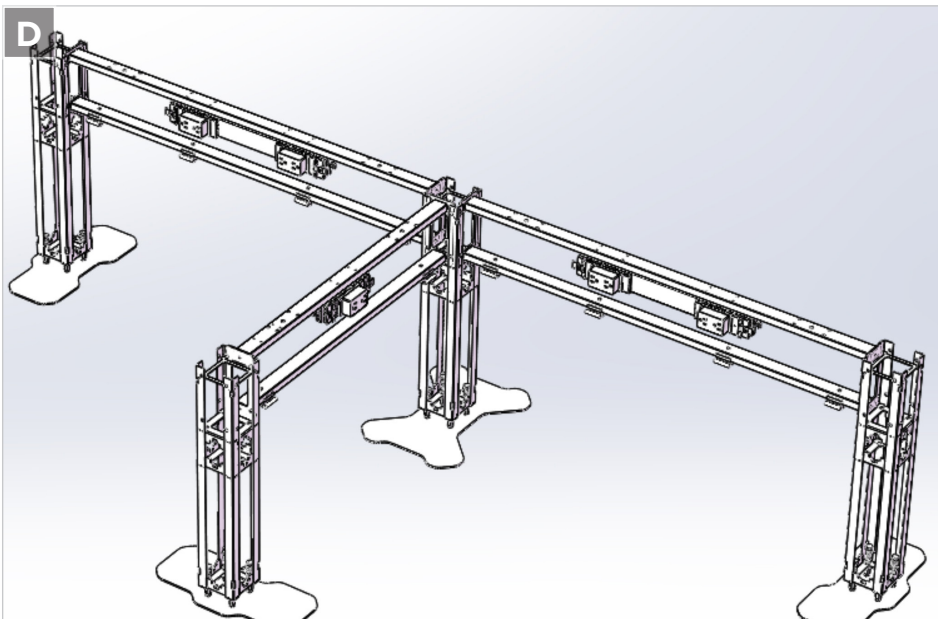
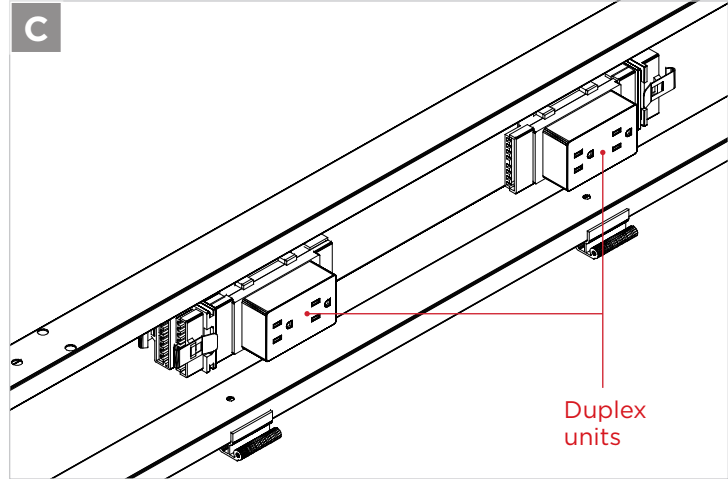
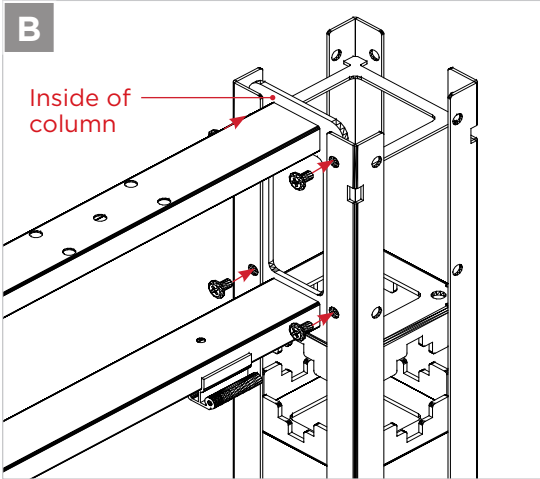
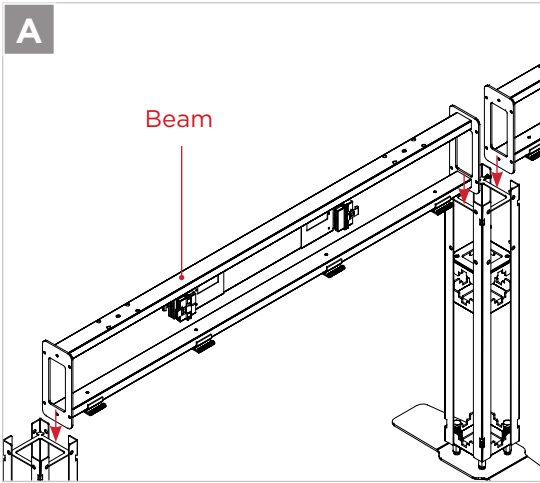
3. Repeat procedure with other columns. IMAGE C

POST & FOOT INSTALLATION

POST & FOOT INSTALLATION LAYOUTS

1. Layout of 180° post. IMAGE A
2. Layout of 2-way post 90°. IMAGE B
3. Layout of 3-way post 90°. IMAGE C
4. Layout of 4 way post 90°. IMAGE D

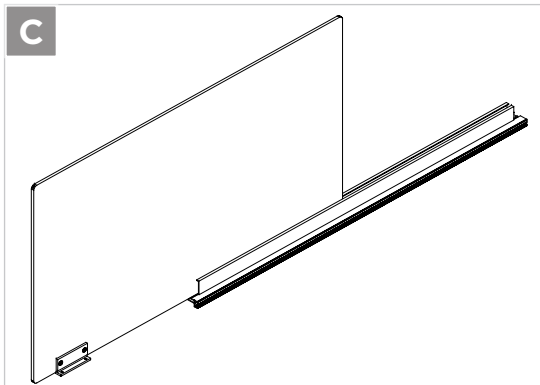
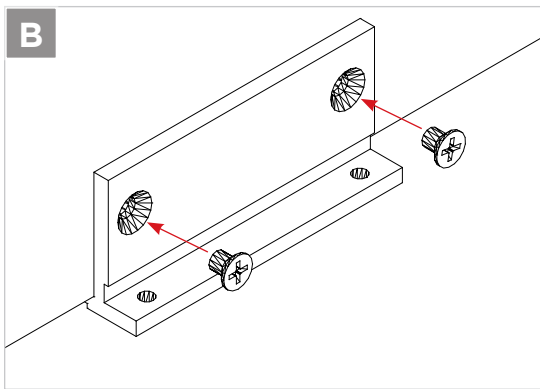
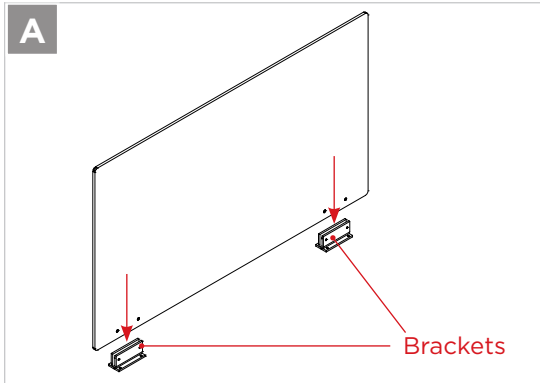




BEAM INSTALLATION

1. Slide beam into position at top and inside of columns as shown. IMAGE A
2. Using (4) M6x12 hex flat head screws, attach the beam to the column. Secure beam shown. IMAGE B
3. Attach duplex units to the beam. IMAGE C
4. Assembled foot, column, and beam construction. IMAGE D

GLASS OR FABRIC PANEL INSTALLATION ON TOP CAP



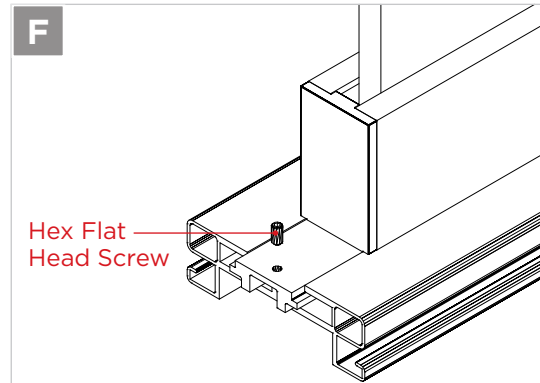
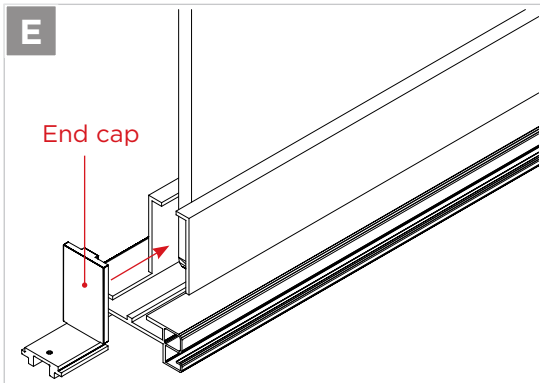
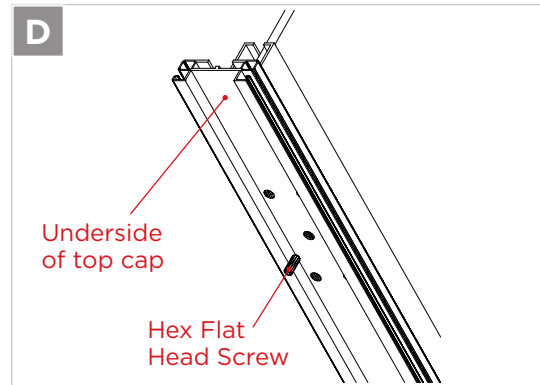
INSTALLATION OF TOP CAP WITH SCREEN SUPPORT

1. Position two brackets at the bottom of the glass or fabric panel as shown. IMAGE A
2. Secure the brackets to the glass panel using (2) M6x16 screws per bracket (4 total). IMAGE B

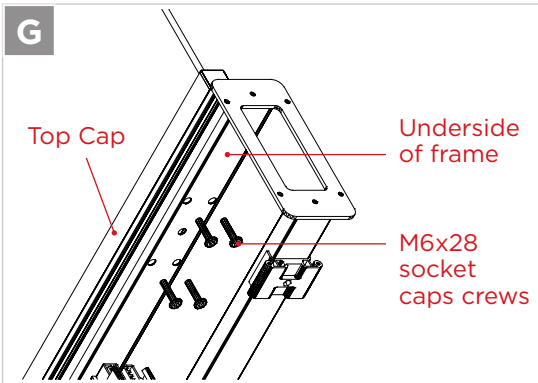


NOTE: Insure brackets are pushed all the way flat against the bottom edge of the glass or fabric panel. The glass or fabric panel should slide into the top cap track easily. DO NOT force it in.

3. Slide the glass and brackets into top cap track as shown. IMAGE C
4. Install the Hex flat head screw to the center hole on the underside of the top cap to prevent the panel from moving. IMAGE D
5. Insert (2) end caps to the top cap track on both sides. IMAGE E
6. Secure the end caps to the top cap with (2) Hex flat head screws. IMAGE F

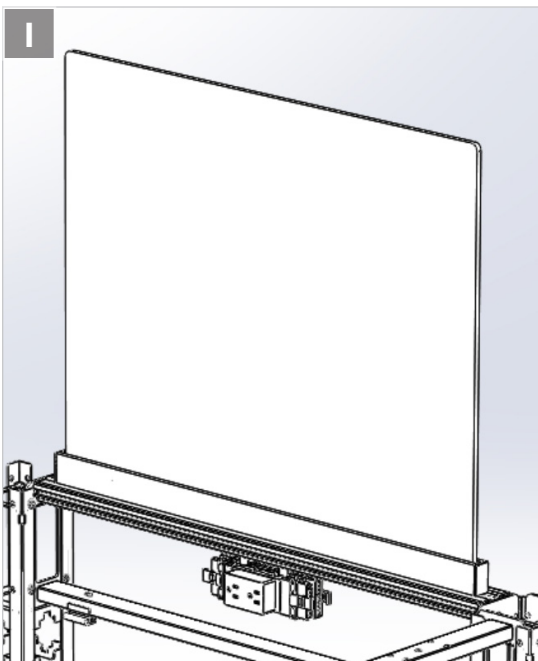
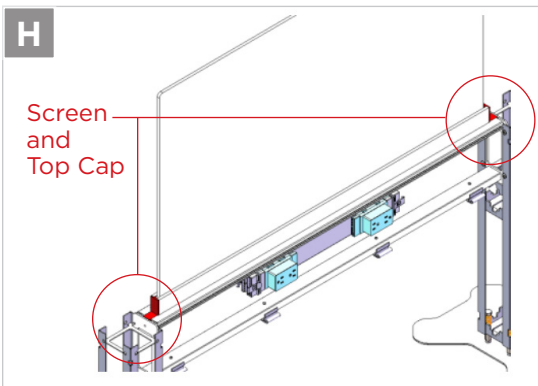


GLASS OR FABRIC PANEL INSTALLATION ON TOP CAP

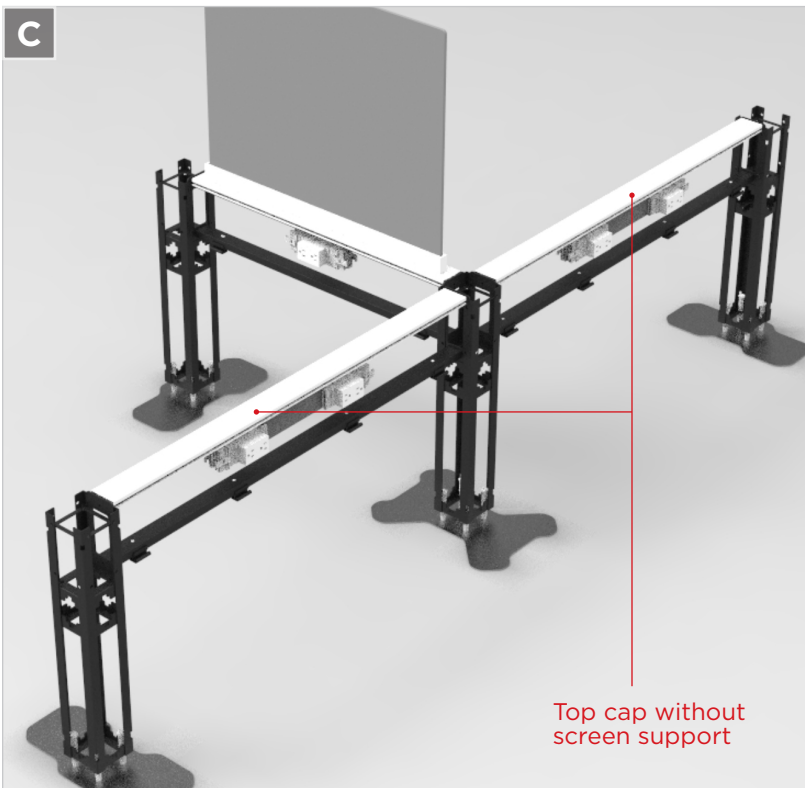
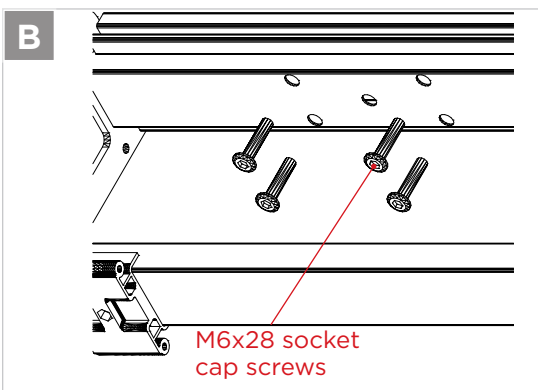
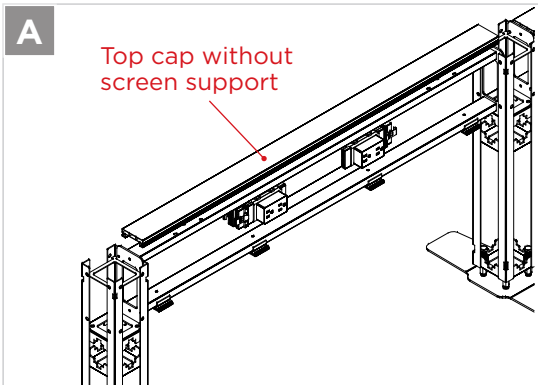


INSTALLATION OF TOP CAP WITH SCREEN SUPPORT CONT

7. Secure the top cap to the beam with (8) M6x28 socket cap screws (4 on each side of the beam), using 5mm Allenhead wrench. IMAGE G
8. Installed screen and top cap. IMAGE H
9. Finished installation. IMAGE I



TOP CAP INSTALLATION



INSTALLATION OF TOP CAP WITHOUT SCREEN SUPPORT

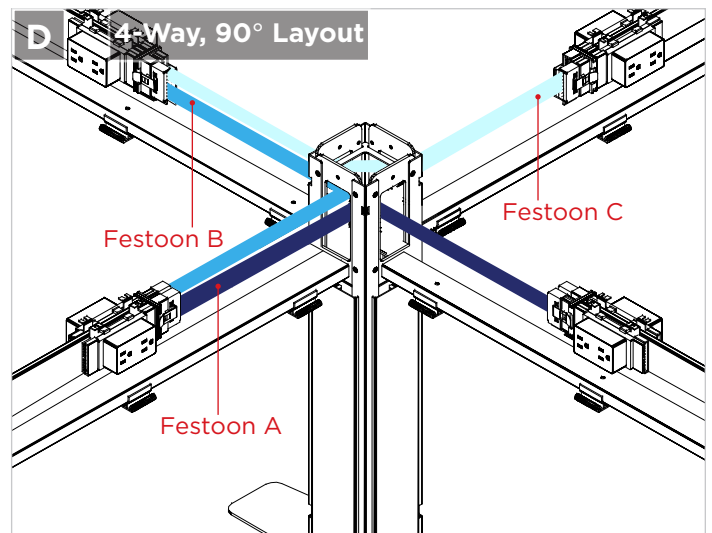
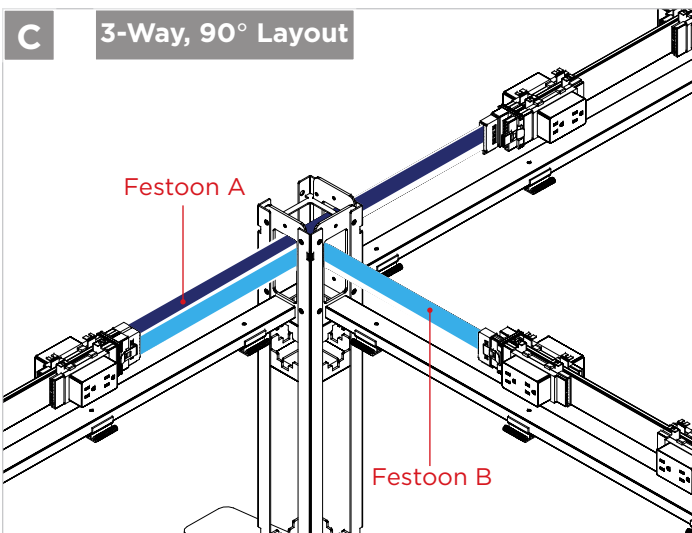
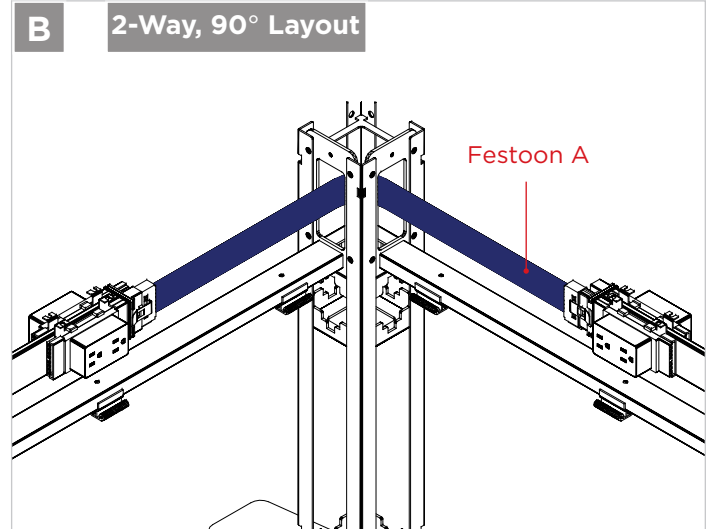
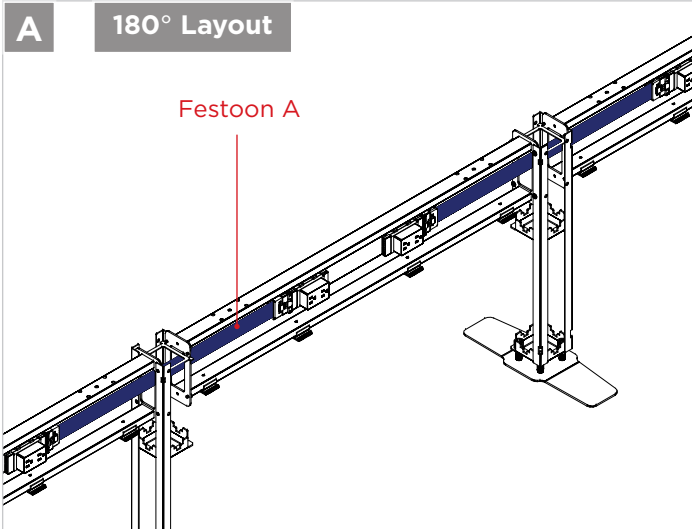
1. Place top cap on top of the beam, between the two posts. IMAGE A
2. Secure top cap to the beam with (8) M6x28 socket cap screws (4 on each side of the beam), using 5mm Allenhead wrench. IMAGE B
3. Finished installation. IMAGE C

FESTOON INSTALLATION



NOTE: Festoons carry power from (1) one duplex to another in the beam.

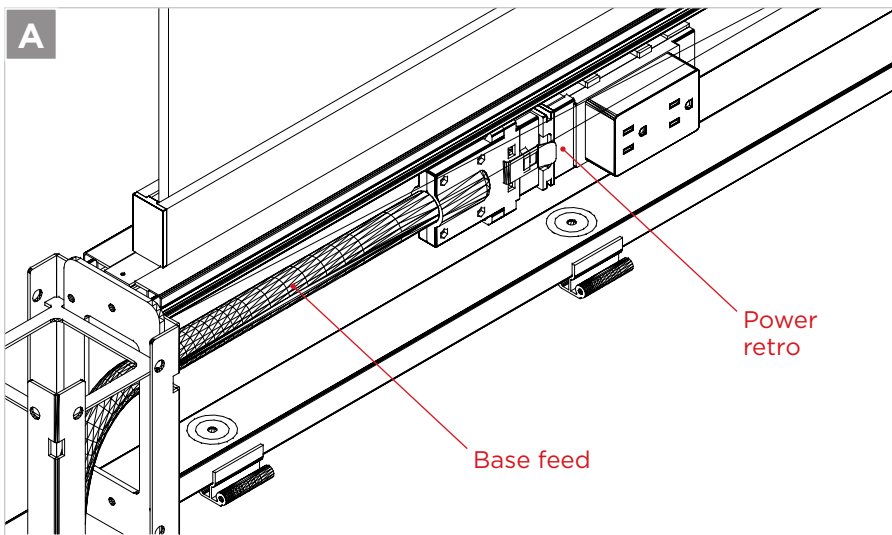
1. Layout of 180° degree. IMAGE A
2. Layout of 2-way, 90° degree L shape. IMAGE B
3. Layout of 3-way, 90° degree T shape. IMAGE C
4. Layout of 4-way, 90° degree IMAGE D



BASE FEED INSTALLATION

BASE FEED INSTALLATION

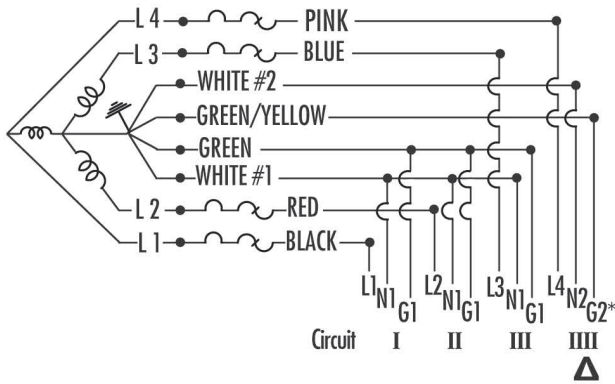
1. Insert base feed through the Beam and connect to the power retro. IMAGE A



ELECTRICAL DISTRIBUTION

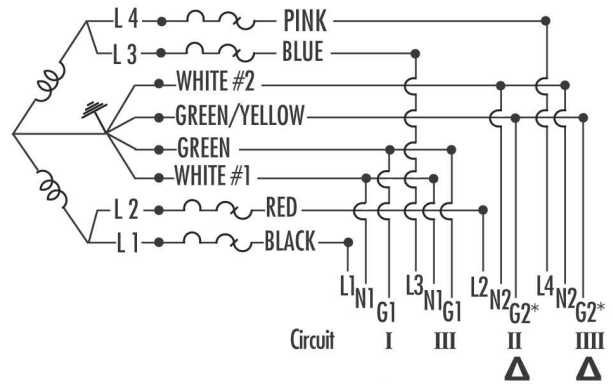
4 CIRCUIT POWER ENTRY

System is rated for connection to a 3 phase system.
 Rating 120/208V, 3-PH WYE, 60-hz, 20 amp (CSA 15 amp)
 multi-wire branch circuit



*Separate isolated ground

System is rated for connection to a ground 120/240V,
 1-PH 60-hz, 20 amp multi-wire branch circuit

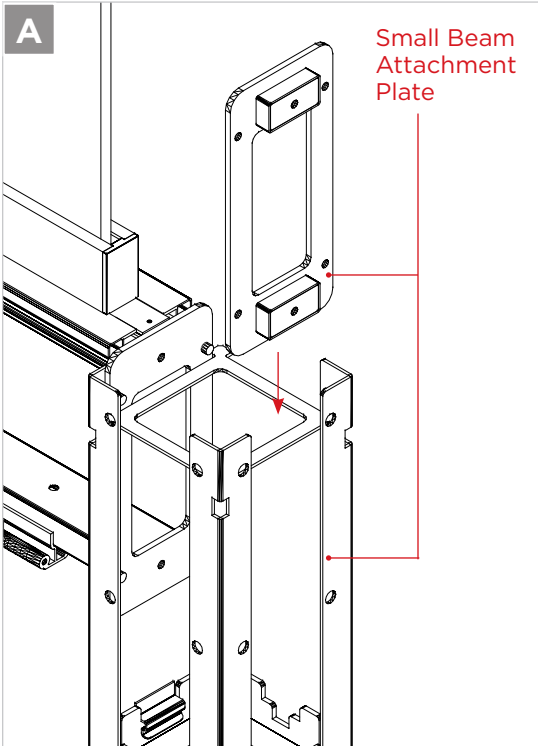


*Separate isolated ground

WARNING:

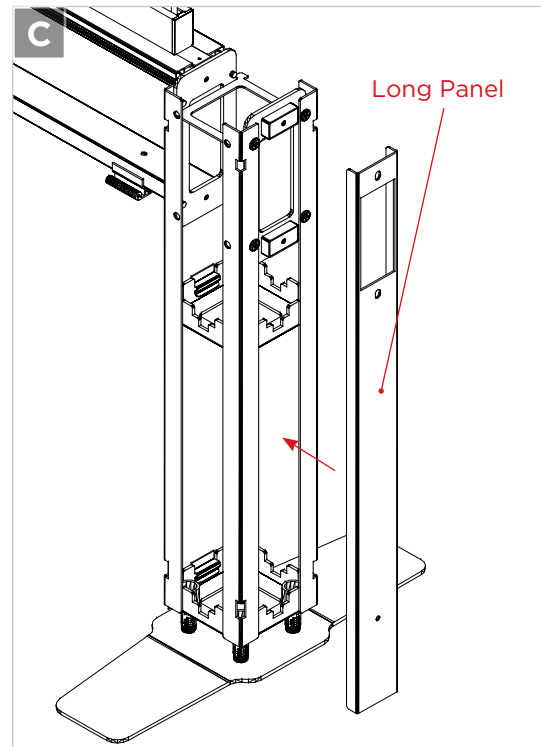
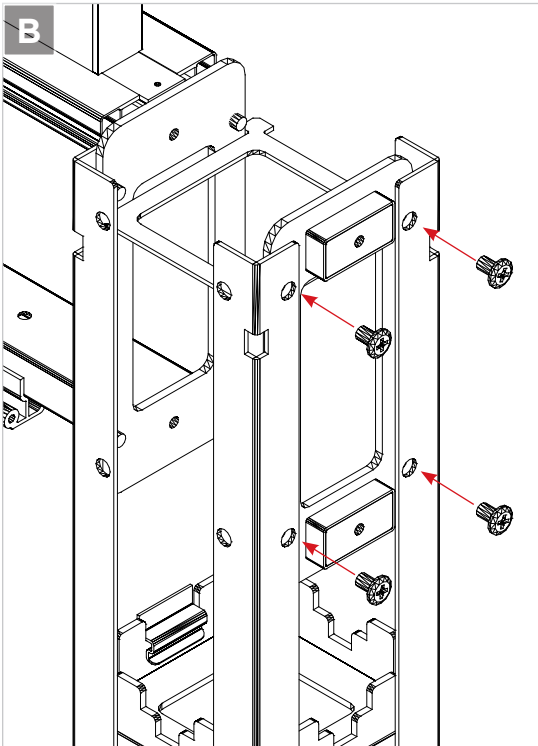
Risk of fire or electric shock. This office furnishings system may be connected to more than one source of supply. All sources must be disconnected prior to any servicing. No single circuit may be powered by more than one source.

BEAM POWER POLE INSTALLATION



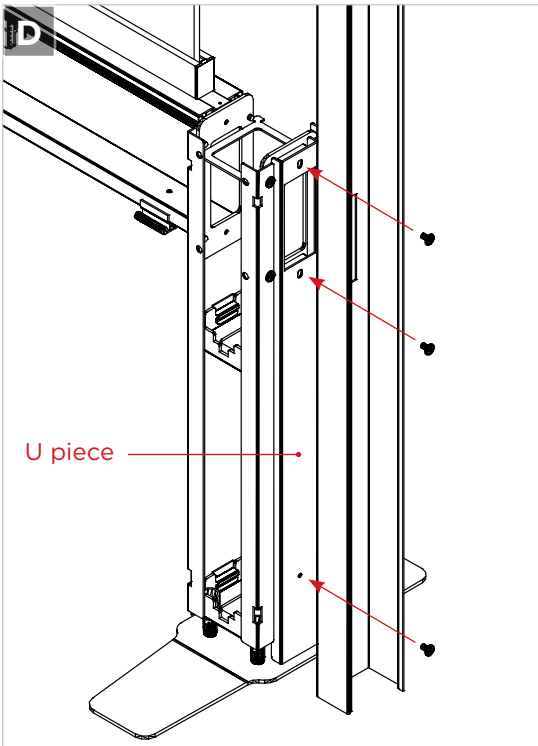
BEAM POWER POLE INSTALLATION

1. Insert one small beam attachment plate to the post. There are two bulges and two threaded mounting holes on the small beam to secure the U piece. IMAGE A
2. Secure the small beam attachment plate with 4 screws. IMAGE B
3. Attach one long panel to the post. IMAGE C



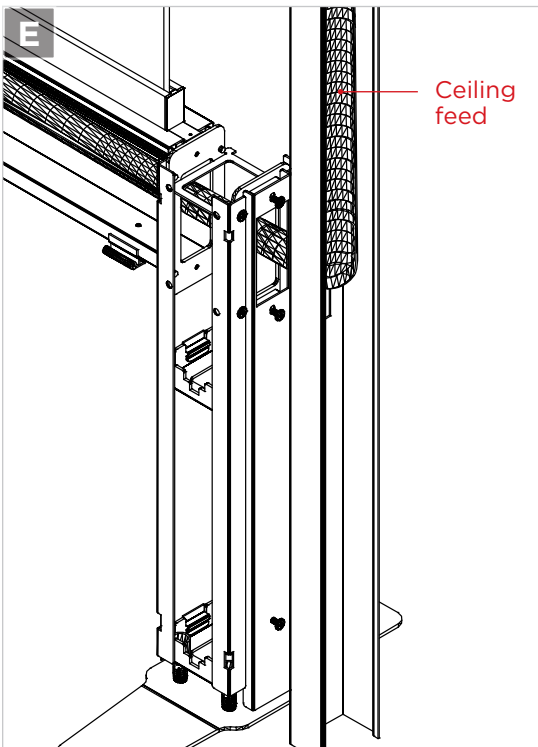
BEAM POWER POLE INSTALLATION

BEAM POWER POLE INSTALLATION CONT

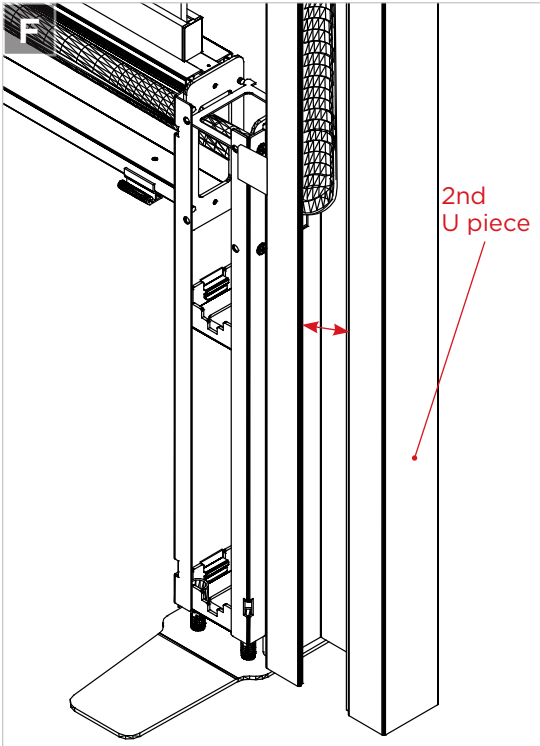


4. There are three mounting holes on the U piece. The two holes above are through holes corresponding the two mounting holes on the small beam. The one hole below is threaded hole to secure the U piece. Use three screws to secure the U piece to the small beam through the long panel. IMAGE D

5. Add ceiling feed through the U piece. IMAGE E

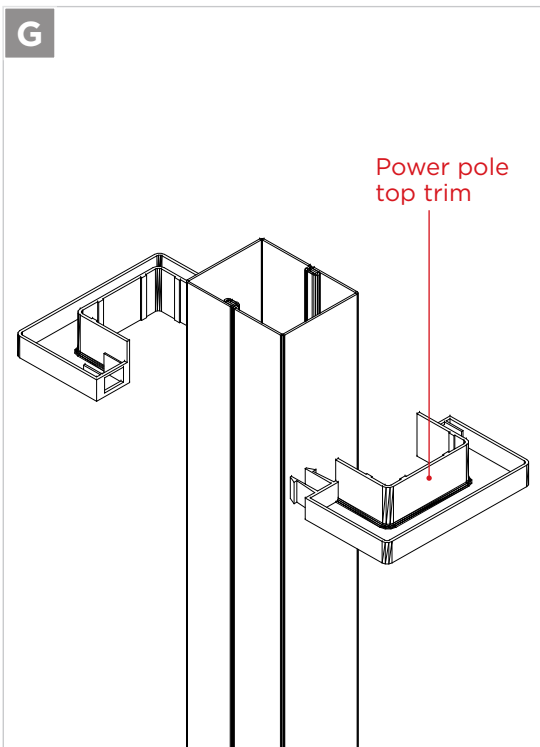


BEAM POWER POLE INSTALLATION



BEAM POWER POLE INSTALLATION CONT

6. Secure the 2nd U piece. IMAGE F
7. Attach power pole top trim. IMAGE G



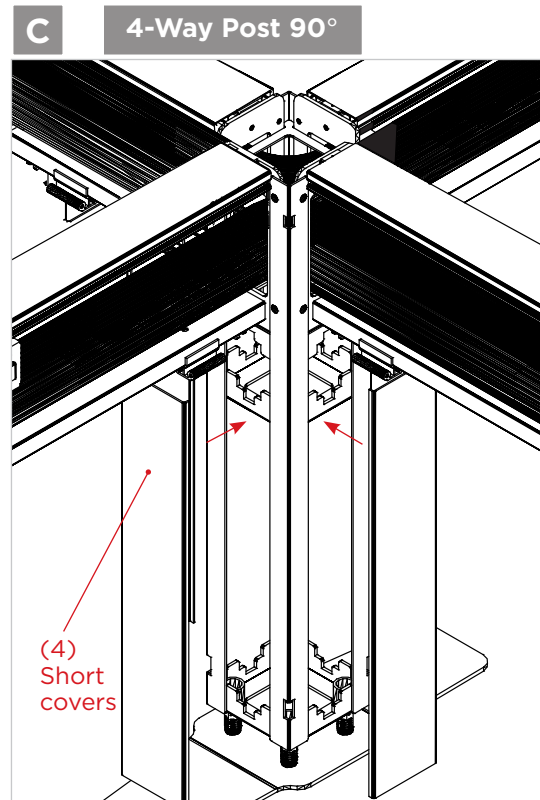
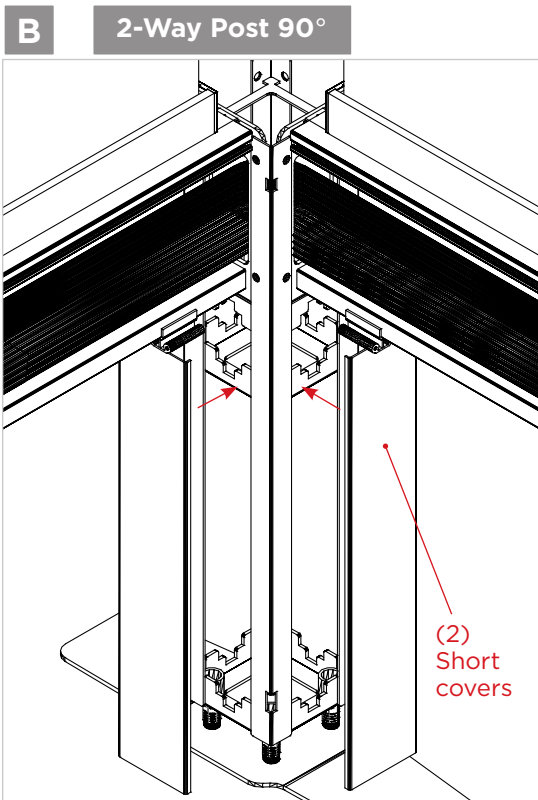
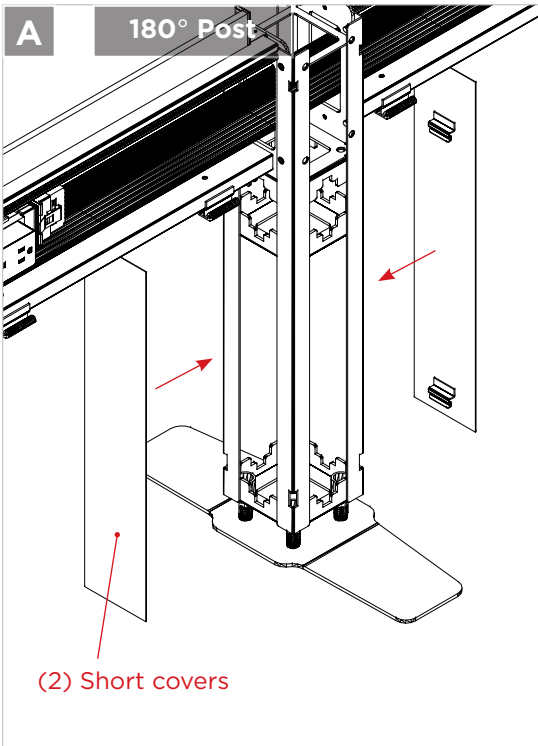
SHORT COVER INSTALLATION

SHORT COVER INSTALLATION

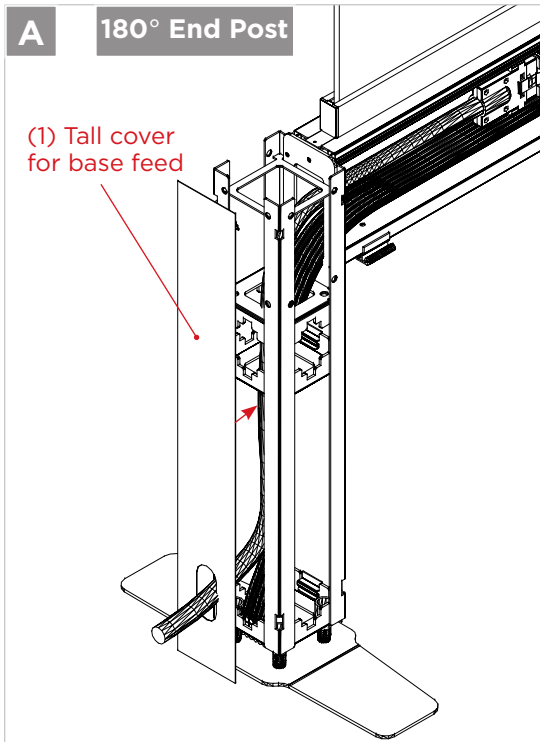


NOTE: Short covers have two hooks on the backside. Place the short covers into position and slide down slightly to lock them into place. Short covers are used on columns that are in the middle of installations that do NOT have a beam in place.

1. Place short covers into positions on columns and slide down to lock into place. Short covers are used on columns below where beams attach to columns. IMAGE A, B & C



TALL COVER INSTALLATION

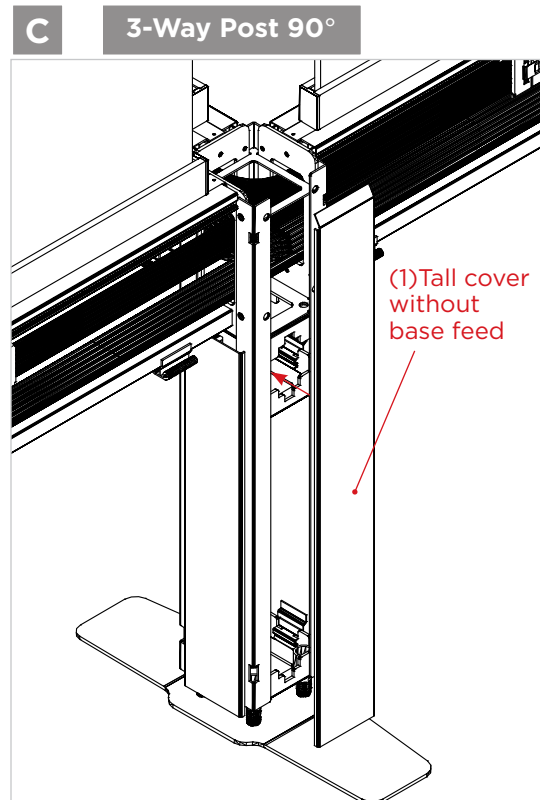
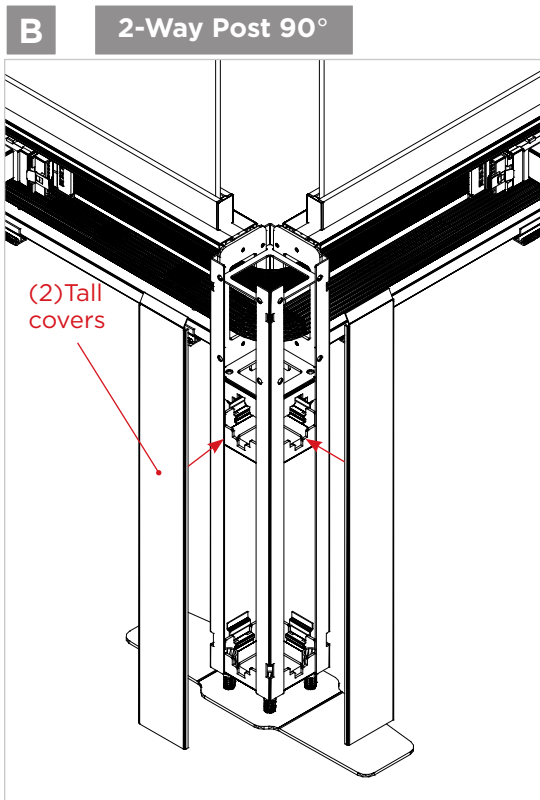


TALL COVER INSTALLATION



NOTE: Tall covers have three hooks on the backside. Place the tall covers into position and slide down slightly to lock them into place. Tall covers are used on columns that are in the middle of installations that do NOT have a beam in place. They are NOT used on columns on the ends of beam installations.

1. Install the tall cover to the end post. IMAGE A
2. Install the tall cover to the 2-way, 90° post. IMAGE B
3. Install the tall cover to the 3-way, 90° post. IMAGE C



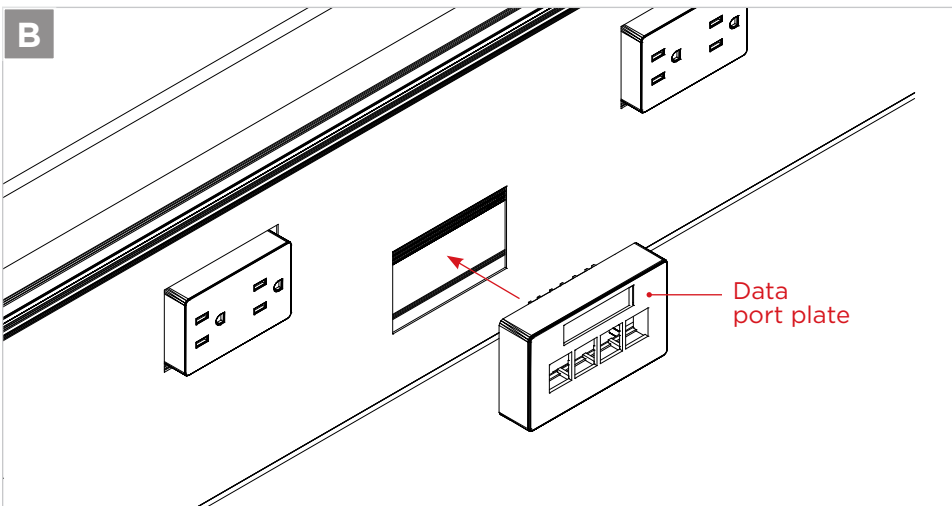
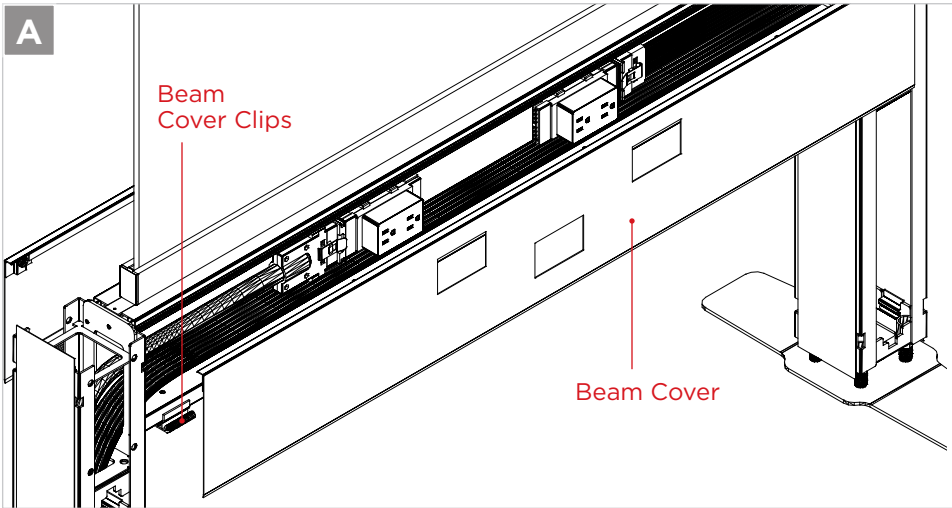
BEAM COVER & DATA PANEL INSTALLATION

BEAM COVER & DATA PORT PLATE INSTALLATION

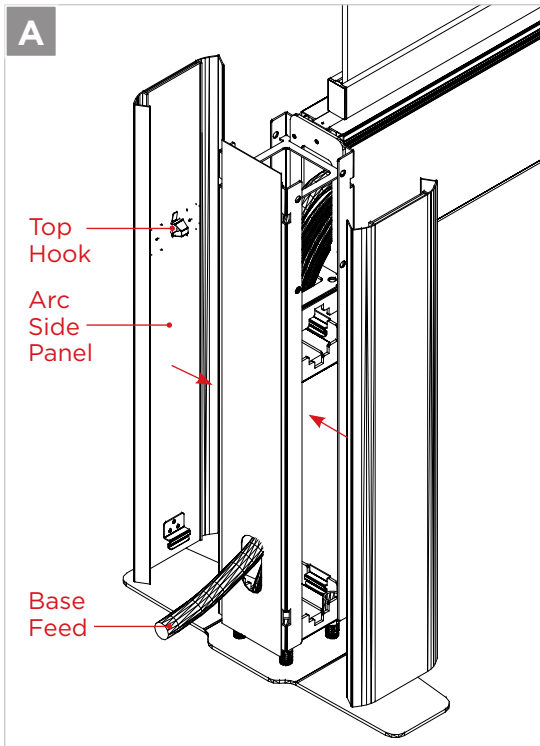
1. Place beam cover in position and push gently to snap into place. IMAGE A
2. Snap data port plate into place. IMAGE B



NOTE: The beam cover must be installed before installing the arc side panel and the hanging bars.



ARC SIDE PANEL INSTALLATION

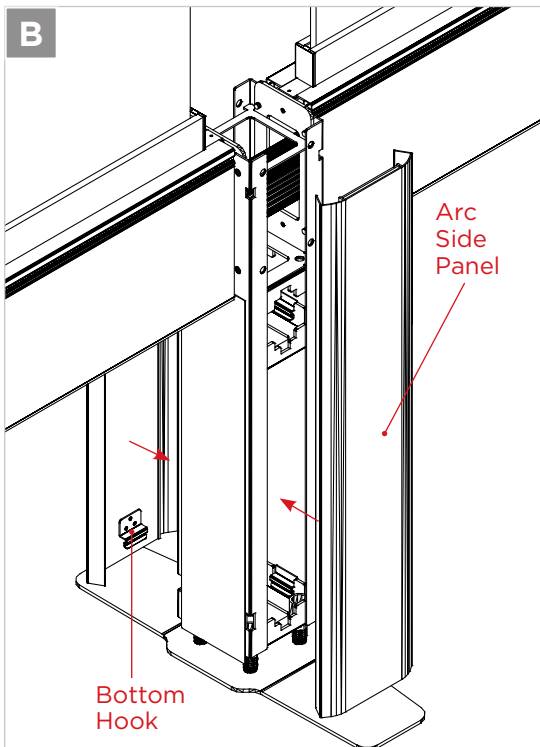


ARC SIDE PANEL INSTALLATION

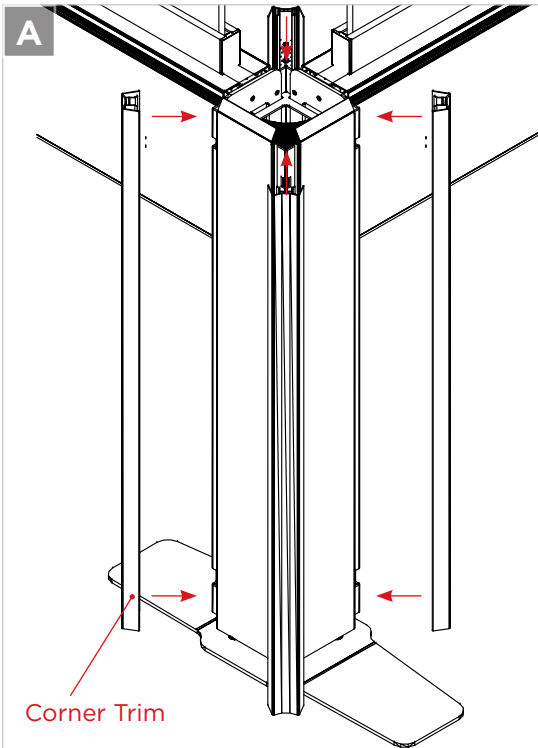
1. Arc side panels installation at an end post with base feed. IMAGE A
2. Arc side panels installation on a 180° post. IMAGE B



NOTE: They have two hooks on the back: Place bottom hook into slot, slide down & push gently on the top of Arc Side panel, and it will click into place.



CORNER TRIM & INTERIOR COLUMN TOP CAP INSTALLATION



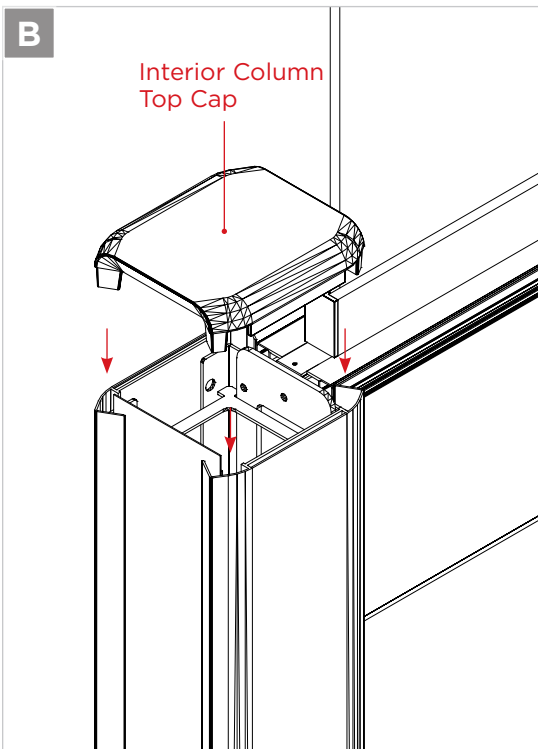
CORNER TRIM & INTERIOR COLUMN TOP CAP INSTALLATION

1. Clip corner trim to the sides of the long covers in the middle columns on installations as shown. IMAGE A



WARNING: Do NOT use corner trim on columns on the ends of beam installations.

2. To install interior column top cap: align top cap over top of column, making sure tabs on underside of the top cap are in the proper place. Push down gently till top cap clicks into place. IMAGE B

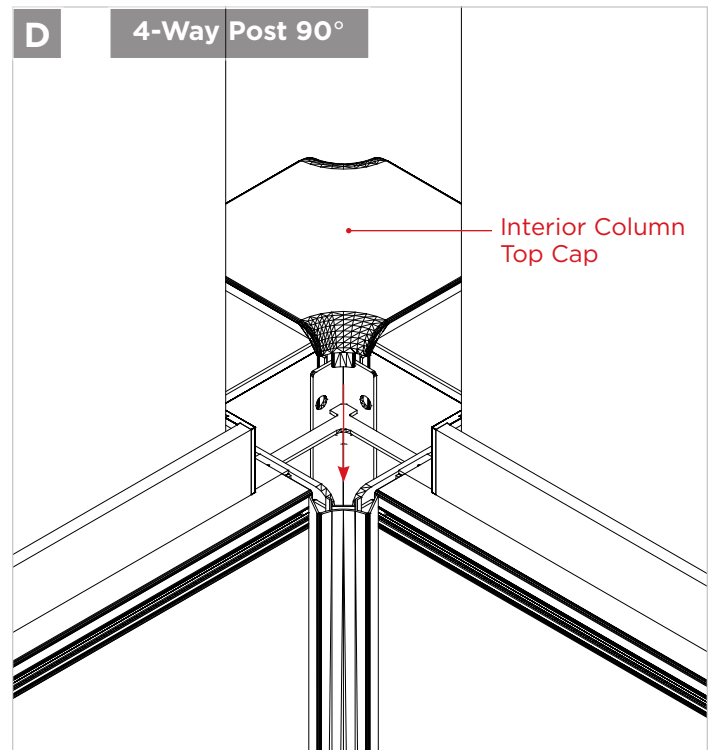
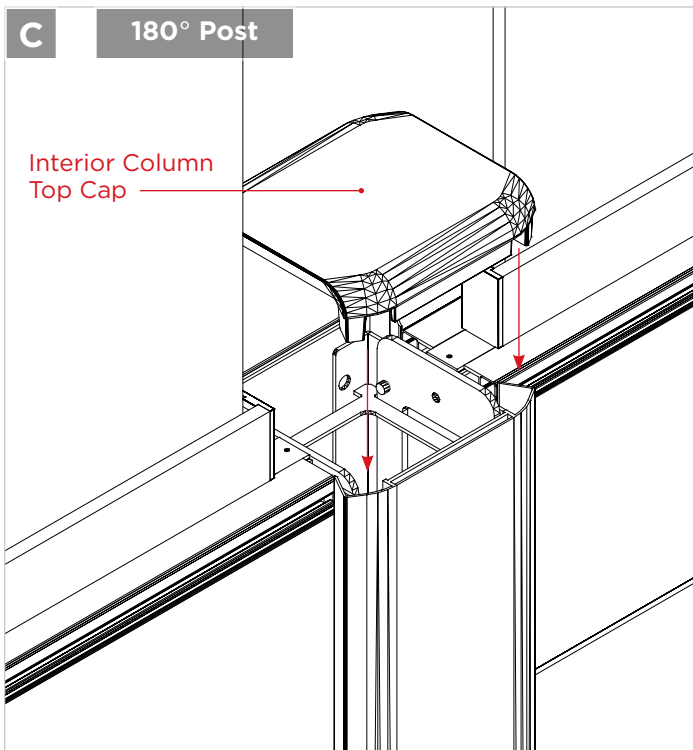


CORNER TRIM & INTERIOR COLUMN TOP CAP INSTALLATION

CORNER TRIM & INTERIOR COLUMN TOP CAP INSTALLATION CONT

3. Interior column top cap on a 180° post. IMAGE C

4. Interior column top cap on a 4-way post 90°. IMAGE D



FINISHED INSTALLATION

1. Layout of a finished installation. IMAGE A

