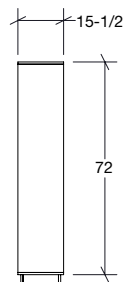
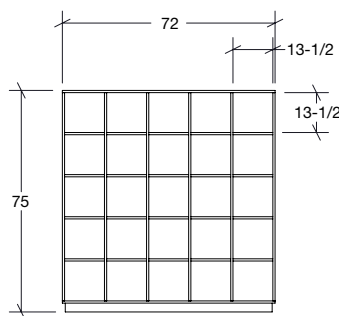




LAXseries' Bookcases provide the ultimate solution for all your storage needs. Each of the piece's twenty-five cubicles creates a fantastic space to house books, art, dishware, vinyl records and more.



Dimensions: 72" W x 15.5" D x 75" H
Compartments: 13.5" W x 13.5" H
Material: Solid English walnut
Finish: Natural oil finish